



**Commercial Ladder**  
Part # COML336065S Shown

**FEATURES:**

- Durable & Long Lasting .065" wall Stainless Steel Construction
- Available in 5 Powder Coated Finishes
- Available in 2 Step through 4 Step
- Available in 24", 30" & 36" Span
- Ultra Protect Sealant Adds Protection From Surface Rust
- Full Exploded View - pg. F28

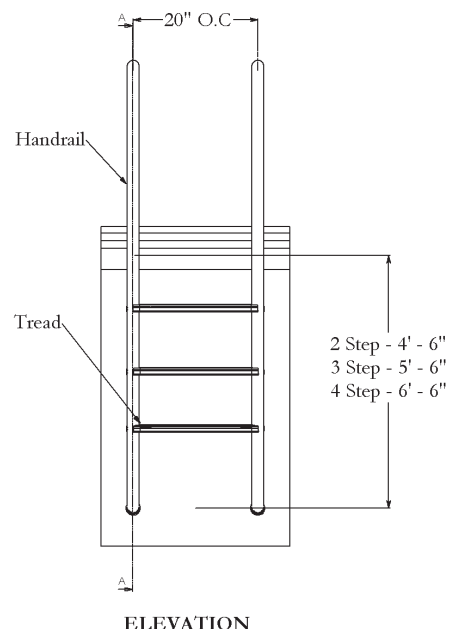
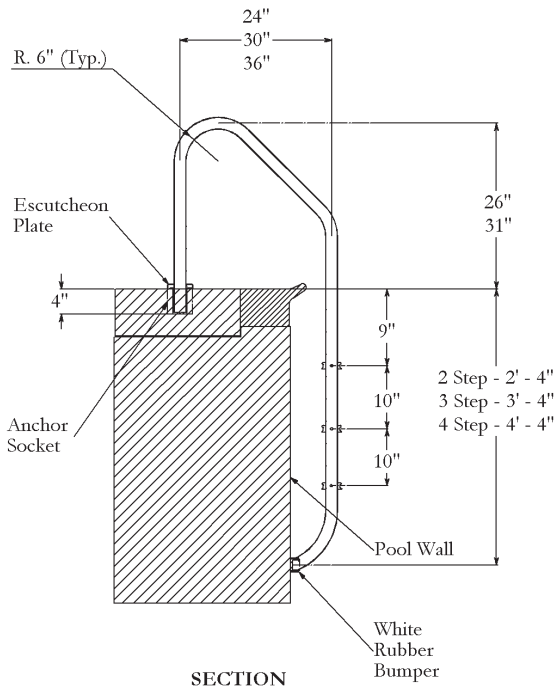
**Commercial - Available in 2 Step through 4 Step and in 24", 30" & 36" Span**

- Part # COML224065 - 2 Step Commercial Ladder w/24" Span
- Part # COML324065 - 3 Step Commercial Ladder w/24" Span
- Part # COML424065 - 4 Step Commercial Ladder w/24" Span
- Part # COML230065 - 2 Step Commercial Ladder w/30" Span
- Part # COML330065 - 3 Step Commercial Ladder w/30" Span
- Part # COML430065 - 4 Step Commercial Ladder w/30" Span
- Part # COML236065 - 2 Step Commercial Ladder w/36" Span
- Part # COML336065 - 3 Step Commercial Ladder w/36" Span
- Part # COML436065 - 4 Step Commercial Ladder w/36" Span

**Available with Sure Step Tread\* or Hartley Tread\*\***

- \*add **S** after part # when ordering Sure Step Tread
- \*\*add **-H** after part # when ordering Hartley Tread (powder coat only)

Custom Powder Coated Colors = White -1; Earth: -3; Copper Vein: -4; Hammertone Gray: -6; Light Gray: -9  
**(add custom color code behind part # when ordering)**



**NOTE:** Escutcheons sold separately w/ss products; included with powder coated ladders and rails.  
All measurements on center.