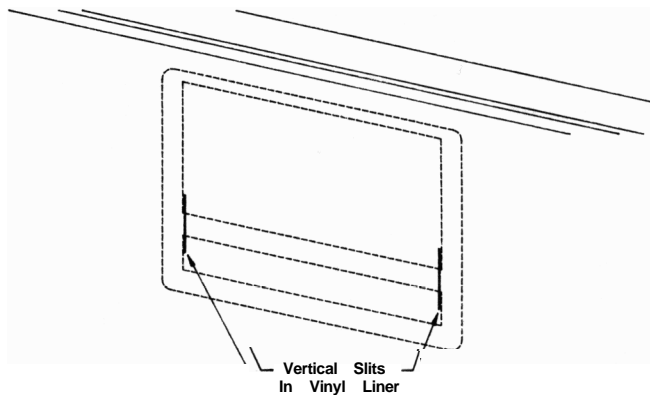


SKETCH #3

Now pierce the remaining holes through the face plate, and tighten screws to within 1/8" of countersink.

Relieve tension on the vinyl liner *inside* the face plate by making crosswise slits in the vinyl as shown in sketch #5. At this point you may tighten all screws completely.

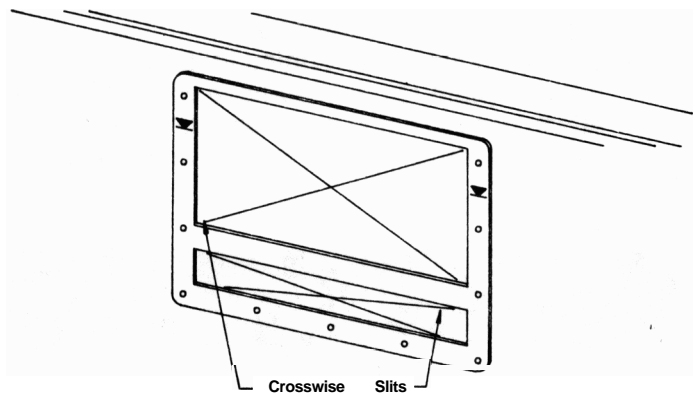
(Uneven pressure may distort the face plate and cause uneven seating of gasket seal.) Excessive torque may break the corrosion-resistant screws.



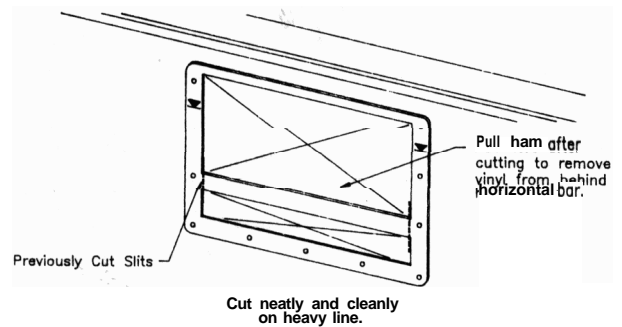
SKETCH #4

After the face plate has been installed, carefully cut out the vinyl liner using a sharp knife. Cut the top edge and the two sides of the skimmer opening, and the top, bottom and two sides of the orifice opening. Grasp the triangular piece of vinyl remaining at the bottom of the skimmer opening to remove it. The vinyl from behind the horizontal bar will be removed at this time. (see sketch #6)

Do not assemble the orifice plate yet. This will be done after all piping is completed and flushed.



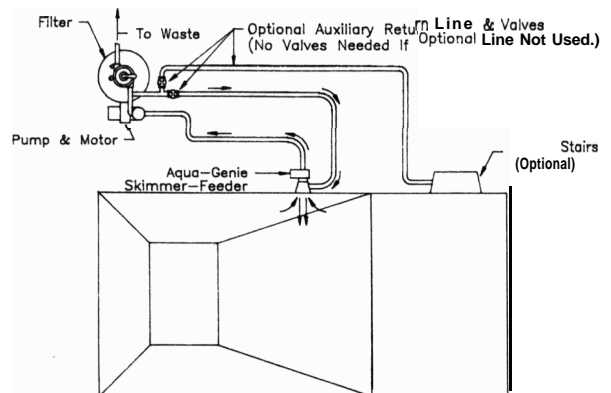
SKETCH #5



SKETCH #6

## PIPING

Use as few elbows as possible in the piping of the entire recirculation system. Each elbow reduces the efficiency of the AquaGenie in particular and the entire filtration system in general. Be sure to double clamp the return line when it connects to the adapter in the pressure throat. Follow piping layout as closely as possible. (see sketch #7)



SKETCH #7