

INTER-FAB

inter-fab.com

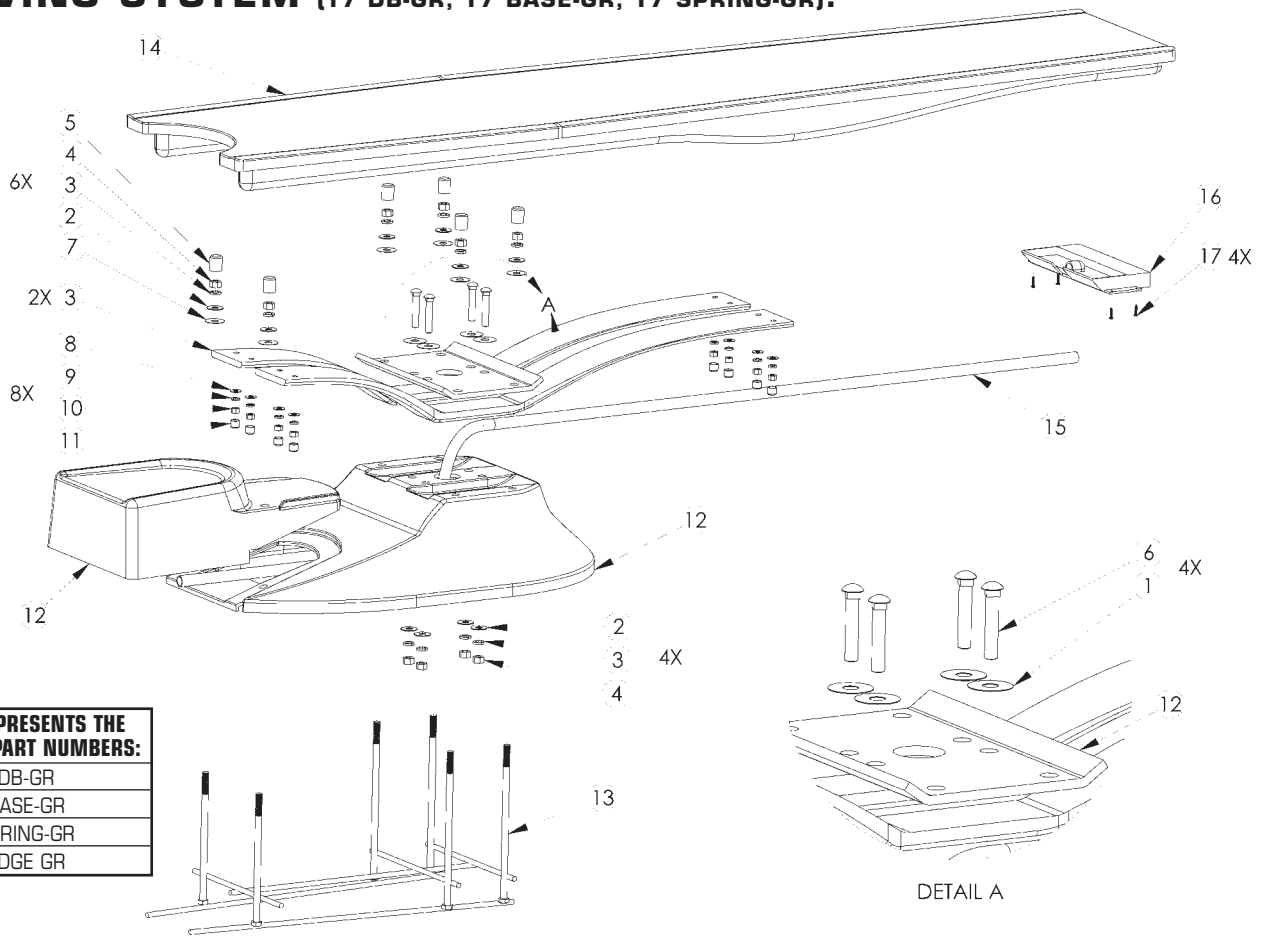
T7™ DIVING SYSTEM **Edgewater Installation**



3050 S. ALVERNON WAY • TUCSON, AZ 85713
520.790.7040 • 800.737.5386 • FAX 520.790.7127

inter-fab.com

T7 DIVING SYSTEM (T7 DB-GR, T7 BASE-GR, T7 SPRING-GR):



DRAWING REPRESENTS THE FOLLOWING PART NUMBERS:

T7 DB-GR
T7 BASE-GR
T7 SPRING-GR
T7 EDGE GR

TABLE 1 - PARTS LIST

ITEM #	COMPONENT	DESCRIPTION	KITS - QTY. COUNTS		
			T7-101-SS	T7-102-SS	N/A
1	H-5/8 RD WASH	5/8" x 1-3/4" ROUND NYLON WASHER	4		
2	H-SS 1/2 F WASH	1/2" FLAT WASHER S.S.	10		
3	H-SS 1/2 LOC WAS	1/2" SPLIT LOCK WASHER S.S.	10		
4	H-SS 1/2 H NUT	1/2" HEX NUT S.S.	10		
5	H-1 WHT CAP	.750 X 1" GRAY RUBBER NUT CAP	6		
6	H-SS 1/2 X 2-1/2	1/2" CARRIAGE BOLT S.S.	4		
7	H-1/2 NYLON WAS	1/2" FLAT NYLON WASHER	6		
8	H-SS 3/8 FLT WA	3/8" FLAT WASHER S.S.		8	
9	H-SS 3/8 LOC WA	3/8" LOCK WASHER S.S.		8	
10	H-SS 3/8 F NUT	3/8" HEX NUT S.S.		8	
11	H-.562X.390 CAP	.553 X 1/2" GRAY PROTECTIVE CAP		8	
12	T7 BASE-GR-NJ*	T7 BASE (WITHOUT JIG)			1
13	T7 JIG	T7 JIG			1
14	T7 DB-GR	7' T7 DIVING BOARD			1
15	H-1/2 SPA HOSE	1/2" PVC FLEX PIPE SPA HOSE (GRAY)			1
16	BM-T7 EDGE GR	EDGEWATER WATERFALL ASSEMBLY			1
17	H-SS #8 X 3/4	EDGEWATER MOUNTING HARDWARE (SCREWS)			4

HARDWARE TIGHTENING SCHEDULE:

Attach Base, Step & Springs as illustrated above. Tighten all 1/2" hex nuts at 40 - 50 foot pounds.

Attach Board to Springs as illustrated above. Tighten all 3/8" finish nuts at 20 - 25 foot pounds.

HARDWARE NOTE:
Use a small dab of anti seize lubricant (included) on all bolt threads.

NOTES:

* Part #T7 BASE-GR comes WITH jig.

The T7 diving board, base, and springs must be used together and cannot be used separately in any other configuration.

IMPORTANT: The gel coat surface of the T7 Diving System is similar to a high quality automotive finish; it is long lasting, strong and beautiful but will scratch if mishandled.

Do not place unprotected parts on the ground. Do not slide or pull unprotected parts along any surface. Be careful unpacking parts and with tools during assembly.

T7™ EDGEWATER CONFIGURATIONS: (OPTIONAL EQUIPMENT)

1. **T7 EDGE-GR:** kit consists of Edgewater, Mounting Hardware (4 screws), 8' & 4" of 1/2" Flex PVC Pipe, 1-Union
2. **T7 EDGE-L-GR:** kit includes Edgewater parts *PLUS* LED Lights Assembled (RGB), Color Controller, 35' of Wire (10' on unit – 25' on controller), Coupler. *NOTE: No transformer is provided.**
3. **T7 EDGE-F-GR:** kit includes Edgewater parts *PLUS* 55' of 25 Strand Fiber Optic Cable Assembled. *NOTE: No color source is provided.*

INSTALL WATER FEATURE: (OPTIONAL EQUIPMENT)

If purchased, attach the optional waterfall assembly to the underside of the diving board as follows:

IMPORTANT: To keep the T7 water feature from clogging, ensure water is from a filtered return line from the pool.

- A)** The center (central) rib on the underside of the diving board is hollow and is capped at the factory. Remove the cap from front of the center rib exposing the hollow channel.
- B)** The Edgewater comes from the factory with an 8' length of 1/2" flex PVC pipe attached. The 8' length goes thru the board and attaches with PVC glue to one side of the 1/2" union. The 4" length of flex PVC pipe attaches with PVC glue to the stub-up and then to the other side of the 1/2" union.
- C)** (If Purchased) your waterfall comes with an optional pre-wired, factory installed LED or Fiber Optic lighting system. Simply thread the wiring attached to your waterfall lighting system down the conduit in the central rib on the board along side the 1/2" PVC tubing.

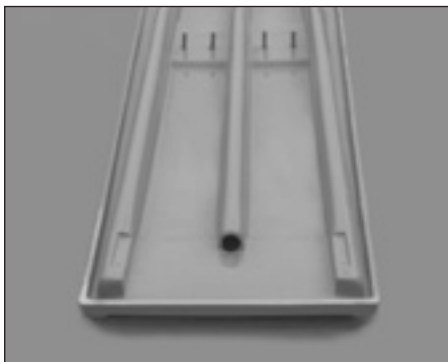
TIP: You may find it simpler to put end of wire into end of hose or tape the wiring to the end of the 1/2" flex PVC and thread them thru the conduit at one time.

The LED lighting system comes with 10' of wire attached to the LED which goes through the board and attaches to the coupler, the additional 25' of wiring attaches to the coupler and then passes through the customer installed conduit to the color controller.

The fiber optic lighting comes with 55' of continuous cable which is passed through the board, then through the customer installed electrical conduit to the customer provided color light source.

- D)** Once the water tubing and wiring are threaded all the way thru the diving board, from the base side, gently pull the end of the tubing until the waterfall assembly is pulled gently but snugly against the end of the center rib.
- E)** Attach the waterfall unit to the Diving Board by inserting the 4 provided screws thru the *pre-drilled* holes in the waterfall assembly; hand tighten only (DO NOT USE SCREW GUN), over tightening the screws will cause them to strip inside the board or break the waterfall housing, and voids the warranty.

***WARNING:** Do not attach the color controller directly to 110V, the LED lighting is a low voltage system requiring a transformer (not included) to provide power to the color controller. Inter-Fab recommends the Intermatic PX100 transformer. If the Intermatic PX100 is not utilized the color controller Input Rating is: 12 VAC, 1.7 Amp 60/50HZ. *Exceeding the input rating will severely damage the color controller and void the warranty.*



A



B



C

LIMITED WARRANTY

Inter-Fab, Inc. will repair or replace, at its option, any product manufactured by Inter-Fab, Inc. that fails during the applicable warranty period because of a manufacturing or material defect; provided that the defect is not the result of improper installation, improper use or care, negligence, alterations or modifications to the product, or natural accidents (acts of God). The applicable warranty period for products manufactured by Inter-Fab, Inc. is three (3) years from the date of retail purchase, except as specified below:

Echoes of Nature™ products are individually handcrafted and painted by skilled artisans and as a result, dimensional differences and color variations are normal and are not a basis for warranty coverage. The warranty period for pumps sold with the Echoes of Nature™ products is three (3) years from the date of retail purchase.

Water Sports™ sports equipment warranty periods are as follows: Volleyball Poles, Basketball Posts, Basketball Rim, and Basketball Backboard one (1) year from date of retail purchase; and Volleyball, Volleyball Net, Basketball, Basketball Net, and Pumps are warranted for ninety (90) days from date of retail purchase.

T7™ Edgewater™ and Lighted Edgewater™ features warranty period is one (1) year from date of retail purchase.

Zoomerang™ slide products warranty period is one (1) year from the date of retail purchase.

Build Your Own Slide™ (BYOS™) warranty period is one (1) year from the date of retail purchase.

City 2™ Slide and **City Base™** products warranty period are one (1) year from the date of retail purchase.

Unless expressly stated otherwise all products manufactured by Inter-Fab are for residential installation and use only. Inter-Fab, Inc. expressly disclaims any and all warranties and liability arising from the installation or use of its residential products used in a commercial application. Products expressly manufactured for commercial installation and use will be subject to this limited warranty.

This limited warranty is in lieu of all other warranties, whether express or implied. Inter-Fab, Inc. disclaims any warranty of merchantability or fitness for a particular use, and noninfringement in relation to any of its products and Inter-Fab, Inc. is not liable for consequential, incidental or specific damages. This warranty is limited to the repair or replacement of the manufacturing or material defect, or refund of the original purchase price, whichever is less, at the sole option of Inter-Fab, Inc., and expressly does not cover any labor or reinstallation expenses related to the replacement of any and all Inter-Fab products. This limited warranty shall be the sole and exclusive remedy of irrespective of whether the claims are made in contract, tort, warranty, law, equity or by statute.

This warranty is to the original purchaser of the product only. Inter-Fab's limited warranty is neither transferable nor portable from consumer to consumer. The effective coverage date begins at the date of retail purchase. Product owner or representative must notify Inter-Fab, Inc. (or its wholesale agent) in writing, giving a full description of the nature of the product defect or failure along with proof of purchase, serial number(s) of the product and photos within thirty (30) days of the expiration of the applicable warranty period. Inter-Fab, Inc. reserves the right to physically inspect damaged or defective products or components to determine the cause of the damage or defect, prior to authorizing repair or replacement of its products.

INTER-FAB
inter-fab.com

3050 S. Alvernon Way • Tucson, AZ 85713

520.790.7040 • 800.737.5386 • Fax 520.790.7127 • inter-fab.com