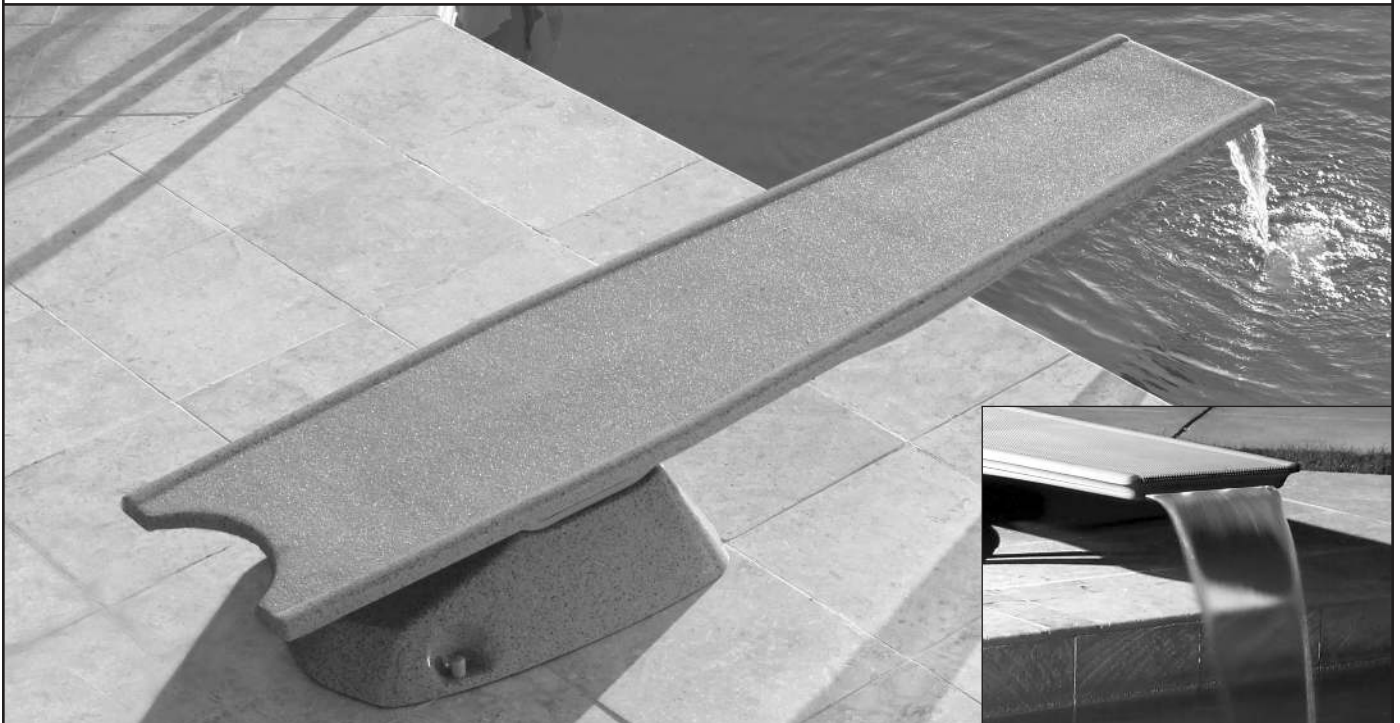




T7™ DIVING SYSTEM

ASSEMBLY & INSTALLATION INSTRUCTIONS



**ATTENTION! THESE INSTRUCTIONS MUST
REMAIN WITH PLATFORM OWNER**

****PROFESSIONAL INSTALLATION RECOMMENDED****



S.R.Smith, LLC
800.824.4387
srsmith.com

Copyright © 2020 S.R.Smith, LLC. All rights reserved.



WARNING: IMPORTANT INSTALLATION INFORMATION

The installation of this product should be done only by a licensed and professional installer. Installation should be done strictly in conformance with all local building codes, electrical codes and other building and safety laws and regulations. Among other things, that your installer should carefully analyze the need to bond the product to prevent an electrical hazard. Failure to properly install this product could result in a dangerous condition, including but not limited to electrical and or structural hazards. S.R.Smith. disclaims all liability arising from the installation and the user assumes all risk associated with the installation.

For Technical Support or Assistance, Contact Customer Service at:

Canby, Oregon | 800.824.4387

Tucson, Arizona | 800.737.5386

srsmith.com

For warranty information:

srsmith.com/warranty

To obtain complete copies of the ANSI/APSP/ICC-5 2011 Standard for Residential In-ground Pools or to obtain copies of the “Plan Your Dive, Steer Up” or “The Sensible Way to Enjoy Your In-ground Swimming Pool” contact:

The Association of Pool & Spa Professionals (APSP)

2111 Eisenhower Ave.

Alexandria, VA 22314

(703) 838-0083

www.theapsp.org

TABLE OF CONTENTS:

| | |
|--|-------|
| Safety First | 2 |
| Intended Use Instructions..... | 3 |
| Important Notices to the Installer..... | 4 |
| Minimum Diving Water Envelope Information | 5 |
| T7 Placement..... | 6 |
| T7 Jig Info & Placement Tips..... | 7 |
| Step 1: Install Water Feature (optional equipment) | 8 |
| Step 2: T7 Assembly | 9-10 |
| T7 Exploded View & Parts List..... | 11 |
| T7 Care & Maintenance..... | 12 |
| Article 5 Extracted from ANSI/APSP/ICC-5 2011 | 13-16 |

! WARNING SAFETY FIRST!

This S.R.Smith diving board and stand shall be installed only by a professional swimming pool contractor or with the direct supervision of a licensed professional, engineer or architect. Diving boards may be installed only on residential in-ground swimming pools properly designed for their use.

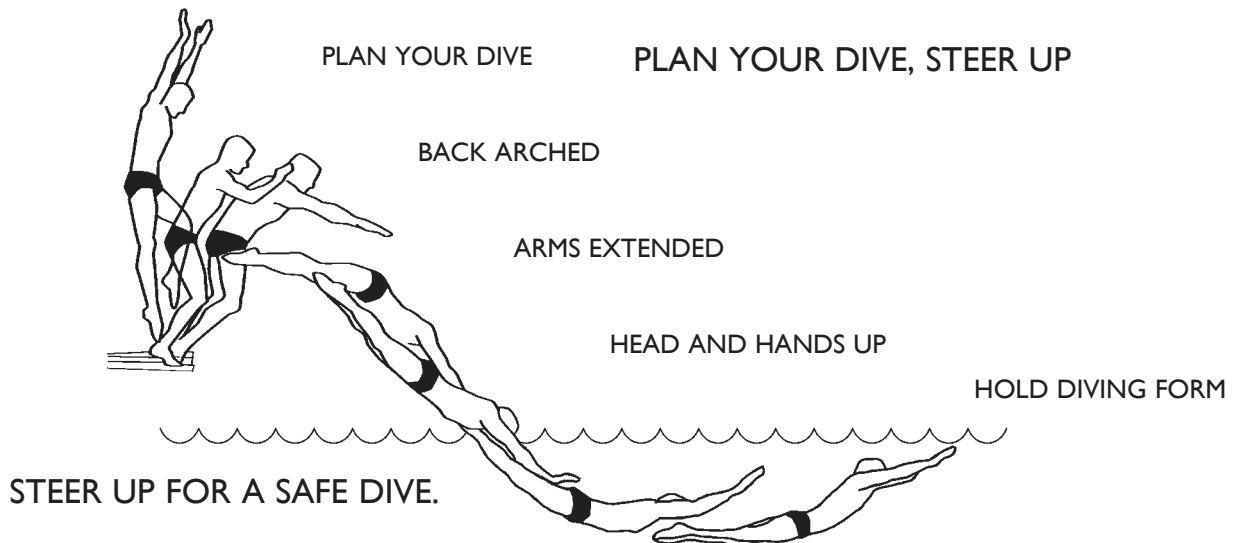
Diving boards that are improperly installed can be very dangerous to the user resulting in possible serious head and/or spinal column injury, including the paralysis or death of the user.

It is very important that this diving board and/or stand be installed only on a pool that is built in strict accordance with the American National Standard for Residential In-ground Swimming Pools (ANSI/APSP/ICC-5 2011) and in strict accordance with the included S.R.SMITH RESIDENTIAL POOL SPECIFICATIONS TABLE 2. Under no circumstances can this diving board and/or stand be installed on any above ground or on-ground swimming pool.

In addition to the above standard and referenced table, these installation instructions provided by S.R.Smith must be diligently followed.

It is also important that any and all warnings provided with the diving board be strictly adhered to and posted in a conspicuous location. If not provided or they are misplaced, please purchase warning signs from your pool contractor or professional pool supply store and post them in a location that the users of the diving board can clearly see.

**FOR RESIDENTIAL IN-GROUND SWIMMING POOL USE ONLY
NO COMMERCIAL, PUBLIC OR SEMI-PUBLIC USE IS ALLOWED
ONLY ONE PERSON ON THE DIVING BOARD AT ONE TIME
MAXIMUM WEIGHT = 300 LBS**



DIVING TIPS: Even the safest equipment must be used properly. S.R.Smith promotes safe diving by offering these tips on the proper use of your diving board: always dive into water that meets depth requirements, with arms extended; be aware of the bottom and the walls of the pool; avoid collisions with pool toys and floats; and instruct your pool users to always “steer up”. When you begin your dive you must get ready to steer up. As you enter the water, your arms must be extended over your head, hands flat aiming up. Hold your head and arch your back.



WARNING

INTENDED USE INSTRUCTIONS

“A pool is the safest place to swim and a diving board installed in compliance with manufacturers instructions and the ANSI/APSP/ICC-5 2011 Standard for In-ground Residential Pools is the safest place to dive from. To ensure that you and your family and guests are able to safely enjoy your diving board for many years, it is critical that you follow the following instructions.”

DO

1. Know the shape and depth of the pool before you dive.
2. Make sure that all family members and guests are familiar with these instructions before they use your pool and diving board.
3. Make sure that the diving board has been installed in compliance with the Assembly and Installation Instructions and with the ANSI/APSP/ ICC-5 2011 Standard for In-ground Residential Pools. This includes the shape and depth of the pool as well as the height of the diving board.
4. Enter feet first the first time.
5. Plan your path to be sure you avoid any other swimmers, or objects in or under the water, such as floats, tires, toys etc.
6. Keep your head up, arms up and fully extended and steer up with your hands.
7. Practice carefully before you dive headfirst.
8. Become familiar with the diving board and its spring before diving headfirst
9. Dive straight ahead, not to the side of the board or pool.
10. Dive from the diving board only.
11. Make sure that children and non-swimmers are supervised at all times.
12. Always remember that when you dive you must steer up.
13. Inspect your diving board, base and stand on a regular basis (at least twice a year) and keep them in proper repair.
14. Contact your dealer, installer or S.R.Smith (800-737-5386) with any questions or concerns about the safe use of your diving board.

DON'T

1. Don't drink and dive.
2. Don't install this or any diving board on an above ground pool or dive into an above ground pool from any surface.
3. Never install any S.R.Smith diving board on a variable fulcrum dive stand.
4. Don't dive into a pool from anyplace not specifically designated for diving. Never dive into the shallow portion of any pool.
5. Don't dive across the width of the pool or to the sides of the pool.
6. Don't Run and dive.
7. Don't engage in horseplay in or around the diving board or pool.
8. Don't use your diving board as a trampoline.
9. Don't do a back dive. Backyard pools are not built for that type of activity.
10. Don't try fancy dives. Keep the dives simple.
11. Don't dive into or through objects or toys such as inner tubes.
12. Don't swim or dive alone.
13. Don't use a diving board or stand or base that is rusted or worn out or in poor repair.

THE T7™ DIVING SYSTEM IS A JUMP BOARD



IMPORTANT NOTICES TO THE INSTALLER

The specifications found on page 5 of this manual represent the minimum water envelope required by S.R.Smith and by the ANSI/APSP/ICC-5 2011 Standard for Residential Inground Swimming Pools. Each of these dimensions must be met or exceeded. Installation of a diving board of any type on a pool that does not meet or exceed each of the minimum specifications as provided on page 5, including but not limited to the slope requirement, is in direct violation of this manufacturer's instructions and the 2011 Standard, and can result in serious injury or death.

The installation of the T7 diving system is not complete until you, the installer have measured the pool to ensure it meets the S.R.Smith residential inground minimum pool specifications and the ANSI/APSP/ICC-5 2011 Standard for Residential Inground Swimming Pools

The installation of the T7 diving system is not complete until you the installer has delivered to your customer and reviewed with your customer the "Owners Manual" as well as the "Plan Your Dive Steer-Up" brochure.

The T7 diving system (diving board, springs, and base) is a complete system and must be installed as a complete system. It is strictly prohibited to install any T7 component on any other stand, spring, or base.

S.R.Smith highly recommends that you, the installer, obtain and consult the ANSI/APSP/ICC-5 2011 Standard for Residential Inground Swimming Pools before proceeding with the installation.

CHECK YOUR LOCAL ELECTRICAL CODE FOR BONDING REQUIREMENTS. USE ANTI-SEIZE ON ALL HARDWARE.

THE T7 DIVING SYSTEM IS A JUMP BOARD.

**ONLY ONE PERSON AT A TIME ON THE DIVING BOARD,
WITH A MAXIMUM WEIGHT LIMIT OF 300 LBS.**

MINIMUM DIVING WATER ENVELOPE:

NOTE: DRAWINGS ARE NOT TO SCALE.

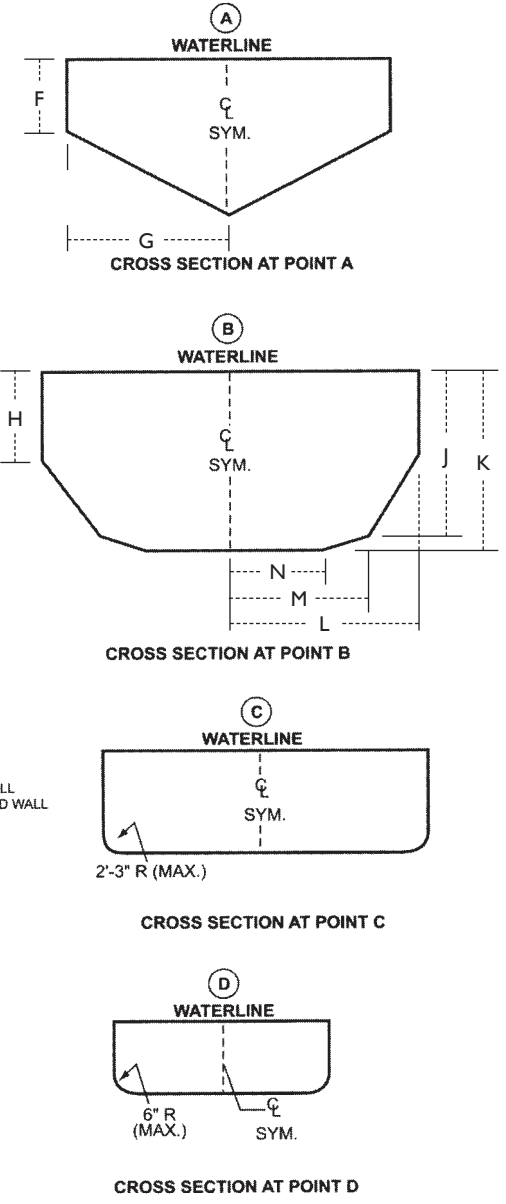
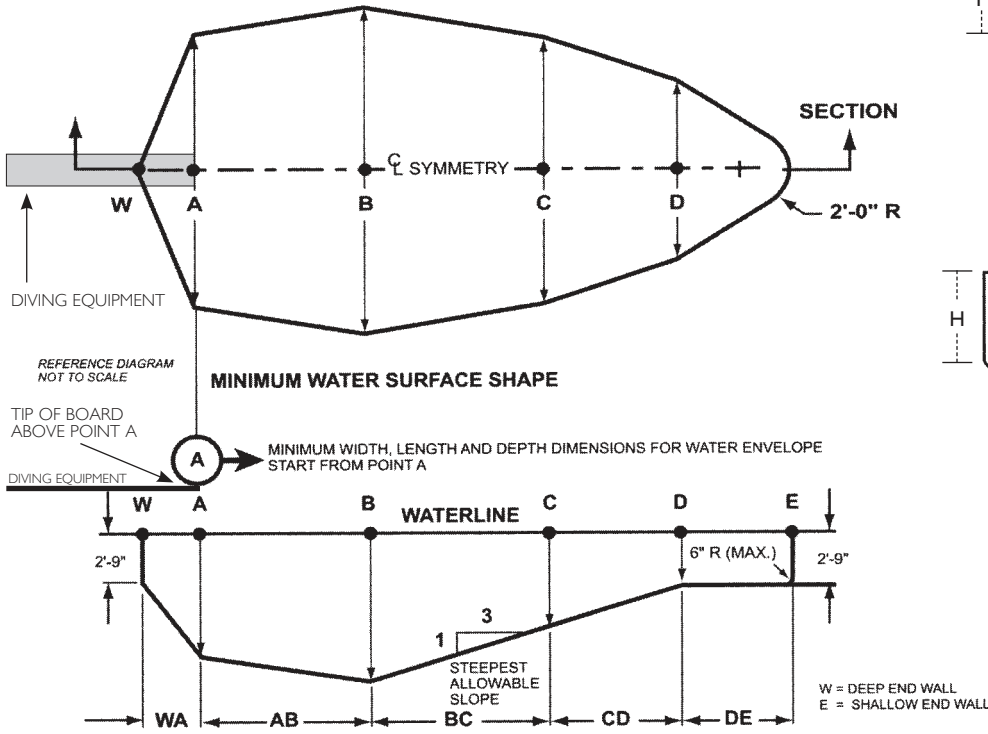


TABLE 1 - MINIMUM WATER ENVELOPE (ANSI/APSP/ICC-5 2011)

| POOL TYPE | MINIMUM DEPTHS AT POINT | | | | MINIMUM WIDTHS AT POINT | | | | MINIMUM LENGTHS BETWEEN POINTS | | | | | |
|-----------|------------------------------------|-------|-------|-------|-------------------------|--------|--------|-------|--------------------------------|-------|--------|-----------|-------|--------|
| | A | B | C | D | A | B | C | D | WA | AB | BC | CD* | DE | WE |
| 0 | DIVING EQUIPMENT PROHIBITED | | | | | | | | | | | | | |
| I | 6'-0" | 7'-6" | 5'-0" | 2'-9" | 10'-0" | 12'-0" | 10'-0" | 8'-0" | 1'-6" | 7'-0" | 7'-6" | VARIABLES | 6'-0" | 28'-9" |
| II | 6'-0" | 7'-6" | 5'-0" | 2'-9" | 12'-0" | 15'-0" | 12'-0" | 8'-0" | 1'-6" | 7'-0" | 7'-6" | VARIABLES | 6'-0" | 28'-9" |
| III | 6'-10" | 8'-0" | 5'-0" | 2'-9" | 12'-0" | 15'-0" | 12'-0" | 8'-0" | 2'-0" | 7'-6" | 9'-0" | VARIABLES | 6'-0" | 31'-3" |
| IV | 7'-8" | 8'-6" | 5'-0" | 2'-9" | 15'-0" | 18'-0" | 15'-0" | 9'-0" | 2'-6" | 8'-0" | 10'-6" | VARIABLES | 6'-0" | 33'-9" |
| V | 8'-6" | 9'-0" | 5'-0" | 2'-9" | 15'-0" | 18'-0" | 15'-0" | 9'-0" | 3'-0" | 9'-0" | 12'-0" | VARIABLES | 6'-0" | 36'-9" |

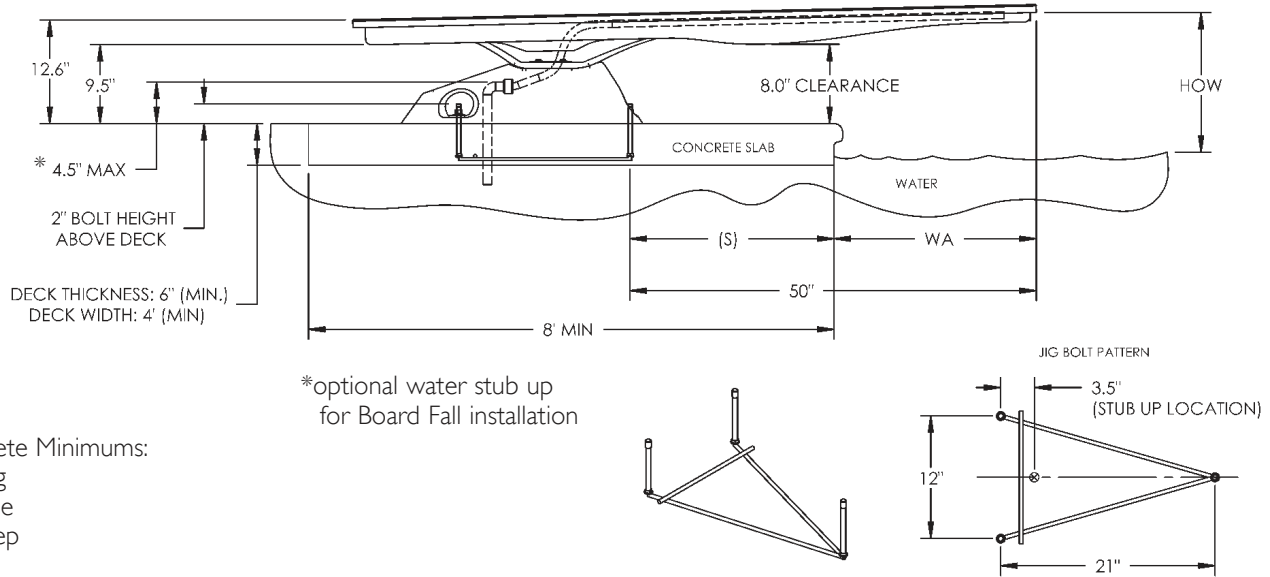
TABLE 2 - S.R.SMITH RESIDENTIAL POOL MINIMUM SPECIFICATIONS

| POOL TYPE | MAX. DIVING BOARD LENGTH | MAX. HEIGHT OVER WATER AT POINT A HOW** | CROSS SECTIONAL DIMENSIONS AT POINT A | | CROSS SECTIONAL DIMENSIONS AT POINT B | | | | | | MIN. HEAD ROOM ABOVE DIVING SURFACES |
|-----------|------------------------------------|--|---------------------------------------|----------|---------------------------------------|---------|-------|---------|----------|---------|--------------------------------------|
| | DIVING BOARD LENGTH | | F | G | H | J | K | L | M | N | |
| 0 | DIVING EQUIPMENT PROHIBITED | | | | | | | | | | |
| I | 6' DB / 6' JB / 7' T7 | 20" | 2'-9" | 5'-0" | 4'-0" | 7'-2.5" | 7'-6" | 6'-0" | 3'-9" | 2'-1.5" | 12' |
| II | 8' DB / 6' JB / 7' T7 | 20" | 2'-9" | 3'-10" | 4'-2" | 7'-2.5" | 7'-6" | 6'-8" | 3'-9" | 2'-1.5" | 12' |
| III | 10' DB / 8' JB / 7' T7 | 26" | 2'-9" | 4'-4.75" | 4'-4.5" | 7'-5.5" | 8'-0" | 6'-7" | 3'-11.5" | 1'-7.5" | 13' |
| IV | 10' DB / 8' JB / 7' T7 | 30" | 2'-9" | 5'-10.5" | 3'-10" | 7'-8" | 8'-6" | 8'-3" | 5'-7" | 2'-7" | 13' |
| V | 12' DB / 8' JB / 7' T7 | 40" | 2'-9" | 6'-2" | 3'-11.5" | 7'-9.5" | 9'-0" | 8'-2.5" | 5'-9" | 2'-7" | 14' |

*Min. length between points CD may vary based upon water depth at point D and the slope between points C & D
 ABBREVIATIONS: DB=Diving Board; JB=Jump Board; **HOW=Height Over Water

NOTE: READ THESE INSTRUCTIONS IN THEIR ENTIRETY BEFORE ATTEMPTING THE INSTALLATION. MUST USE ANTI-SEIZE ON ALL HARDWARE.

FIG. A – T7 PLACEMENT SPECIFICATIONS:



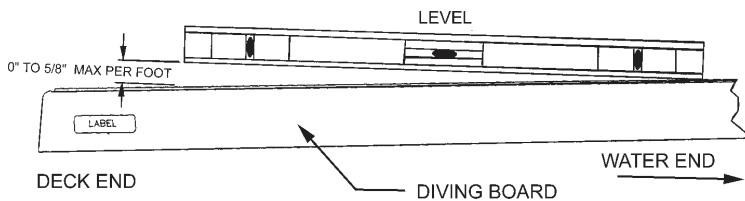
Concrete Minimums:
 8' Long
 4' Wide
 6" Deep

S.R.SMITH CANNOT GUARANTEE CUSTOMER'S CONCRETE OR THICKNESS
 NOTE: WHEN COPING IS USED, DO NOT SET FRONT JIG BOLTS CLOSER THAN 3" FROM THE BACK EDGE OF THE COPING.

TABLE 3 – PLACEMENT CHART

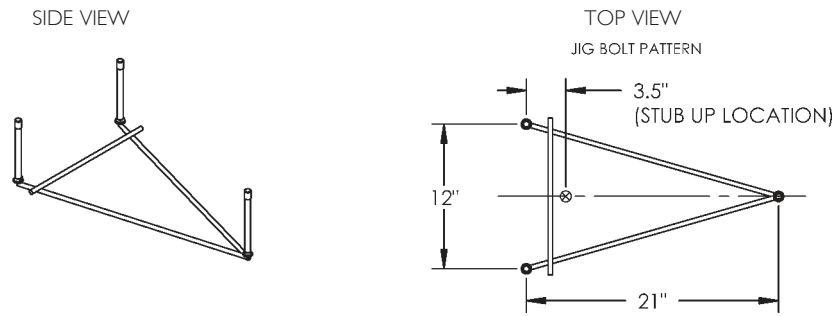
ADDITIONALLY REFER TO: ANSI/APSP/ICC-5 2011 American National Standard for Residential In-ground Swimming Pools and to page 5 for S.R.Smith Residential In-ground Pool Minimum Specifications.

| T7 DIVE STAND | NOMINAL BOARD LENGTH | ANSI/ NSPI-5 POOL TYPE | DISTANCE FROM WATER'S EDGE TO FORWARD JIG BOLT(S)* | DISTANCE FROM WATER END OF BOARD TO FORWARD JIG BOLT | MIN. OVERHANG POINT A TO POINT W | MAX HEIGHT OF BOARD OVER WATER (HOW) |
|---|----------------------|------------------------|--|--|----------------------------------|--------------------------------------|
| ONLY T7 DIVING BOARD CAN BE UTILIZED ON T7 DIVE STAND | 7' T7 ONLY | I | 31" | 50" | 18" | 20" |
| | 7' T7 ONLY | II | 31" | 50" | 18" | 20" |
| | 7' T7 ONLY | III | 25" | 50" | 24" | 26" |
| | 7' T7 ONLY | IV | 19" | 50" | 30" | 30" |
| | 7' T7 ONLY | V | 13" | 50" | 36" | 40" |
| MUST BE INSTALLED ON TYPE I POOL OR GREATER | | | | | | |

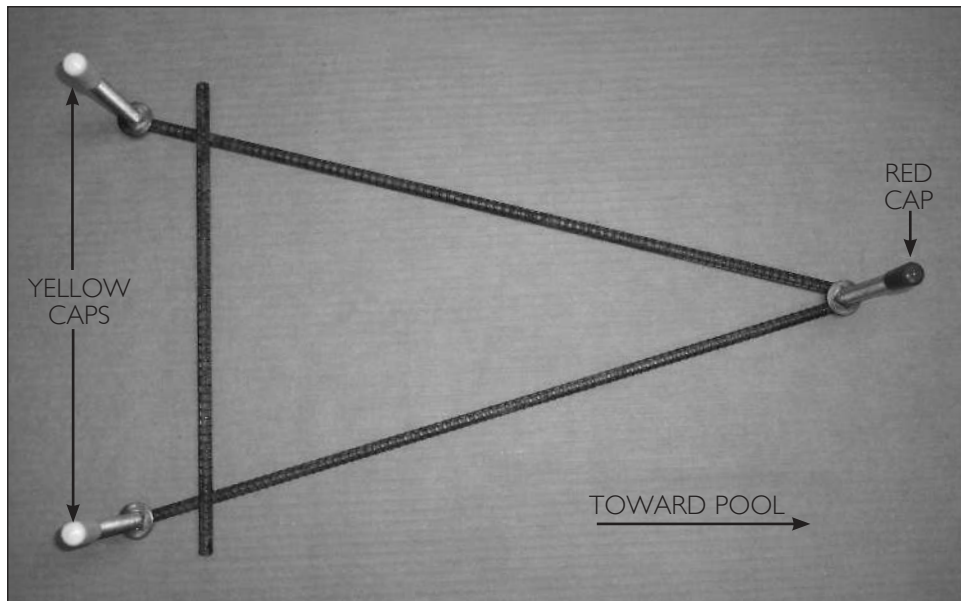


The top surface of the diving board from the deck end to the tip end shall be level or have an upward slope of 5/8" per foot maximum. Elevation difference shall not exceed 4-3/8" from the deck end to the tip of the board. There shall be no downward slope towards the water. The slope shall be measured using a level as shown in the graphic to the left.

MOUNTING JIG:



T7™ JIG INFO:



JIG PLACEMENT TIPS:

- T7 Installation limited to Residential Inground Swimming Pools conforming to a Type I or greater dimension in accordance with the ANSI/APSP/ICC-5 2011 Standard and S.R.Smith's Residential Inground Swimming Pool Minimum Specifications.
- Install jig on the deep end of the pool on centerline.
- Before installing the T7 jig ensure the concrete deck surrounding the jig meets the minimum 8' long x 4' wide x 6" deep minimum.
- Comply with all local and national electrical codes when bonding jig.
- Be careful to ensure that the red capped bolt is toward the pool and set back from the water's edge at the correct distance based on the table on page 6.
- The 3 jig bolts must extend 2" above the final deck surface.
- Ensure the deck surrounding the jig and base is flat and level so the base makes uniform contact with the deck surface.
- Leave the protective caps on the bolts until the concrete has cured and base/stand is ready to be installed.
- If installing a Board Fall with the T7 ensure that a 1/2" water stub-up is located per the diagram on page 6 and as shown in the above illustration. Provide a minimum of 10 gallons per minute to the end of the T7 diving board.

T7 DIVING SYSTEM

INSTALLATION INSTRUCTIONS

IMPORTANT: The gel coat surface of the T7 Diving System is similar to a high quality marine finish; it is long lasting, strong and beautiful but will scratch if mishandled.

Do not place unprotected parts on the ground. Do not slide or pull unprotected parts along any surface. Be careful unpacking parts and with tools during assembly.

BOARD FALL CONFIGURATION: (OPTIONAL EQUIPMENT)

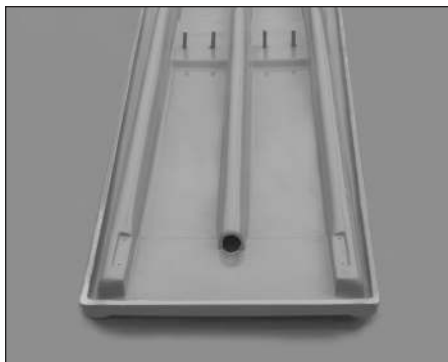
I. BOARD FALL: kit consists of Edgewater, Mounting Hardware (4 screws), 8' & 4" of 1/2" Flex PVC Pipe, I-Union

STEP 1: INSTALL WATER FEATURE: (OPTIONAL EQUIPMENT)

If purchased, attach the optional waterfall assembly to the underside of the diving board as follows:

IMPORTANT: To keep the T7 water feature from clogging, ensure water is from a filtered return line from the pool.

- A) The center (central) rib on the underside of the diving board is hollow and is capped at the factory. Remove the cap from front of the center rib exposing the hollow channel.
- B) The Board Fall comes from the factory with an 8' length of 1/2" flex PVC pipe attached. The 8' length goes thru the board and attaches with PVC glue to one side of the 1/2" union. The 4" length of flex PVC pipe attaches with PVC glue to the stub-up and then to the other side of the 1/2" union.
- C) Once the water tubing is threaded all the way thru the diving board, from the base side, gently pull the end of the tubing until the waterfall assembly is pulled gently but snugly against the end of the center rib.
- D) Attach the waterfall unit to the Diving Board by inserting the 4 provided screws thru the pre-drilled holes in the waterfall assembly; hand tighten only (DO NOT USE SCREW GUN), over tightening the screws will cause them to strip inside the board or break the waterfall housing, and voids the warranty.



A



B



C

STEP 2: T7 ASSEMBLY:

TIP: Make sure to use the anti-seizing compound on all the bolts or the nuts will seize.

1. Lay board upside down on packaging being careful not to damage the gel coat surface.
2. Place T7-NSPRING over the 8 bolts on the board as shown in photo below. The single center drill hole in the spring center faces toward the pool. Use hardware kit T7-102-SS and attach the springs to board as shown in exploded view in page 11. Hand tighten only at this time.

TIP: The springs are directional. The longer end of the spring goes toward the pool.



3. Board Fall (optional) Board

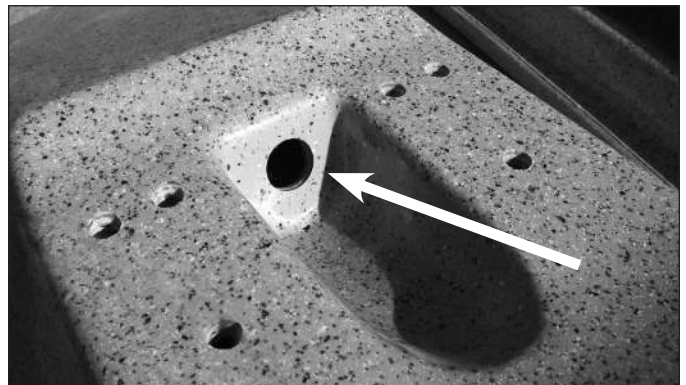
If installing a Board Fall waterfall, run the hose through the board as shown in photo. Use the 4 screws provided with the Board Fall unit to attach to bottom of board.



4. Board Fall (optional) Base

If installing the Board Fall waterfall, remove the hole black cap on the base by pushing it out from the underside. Do not try to remove from the top as damage to the gel coat surface can occur.

See arrow reference in photo shown.



STEP 2: T7 ASSEMBLY – CONT.

5. Feed the PVC hose through the base and sit the base on the springs as shown in photo.



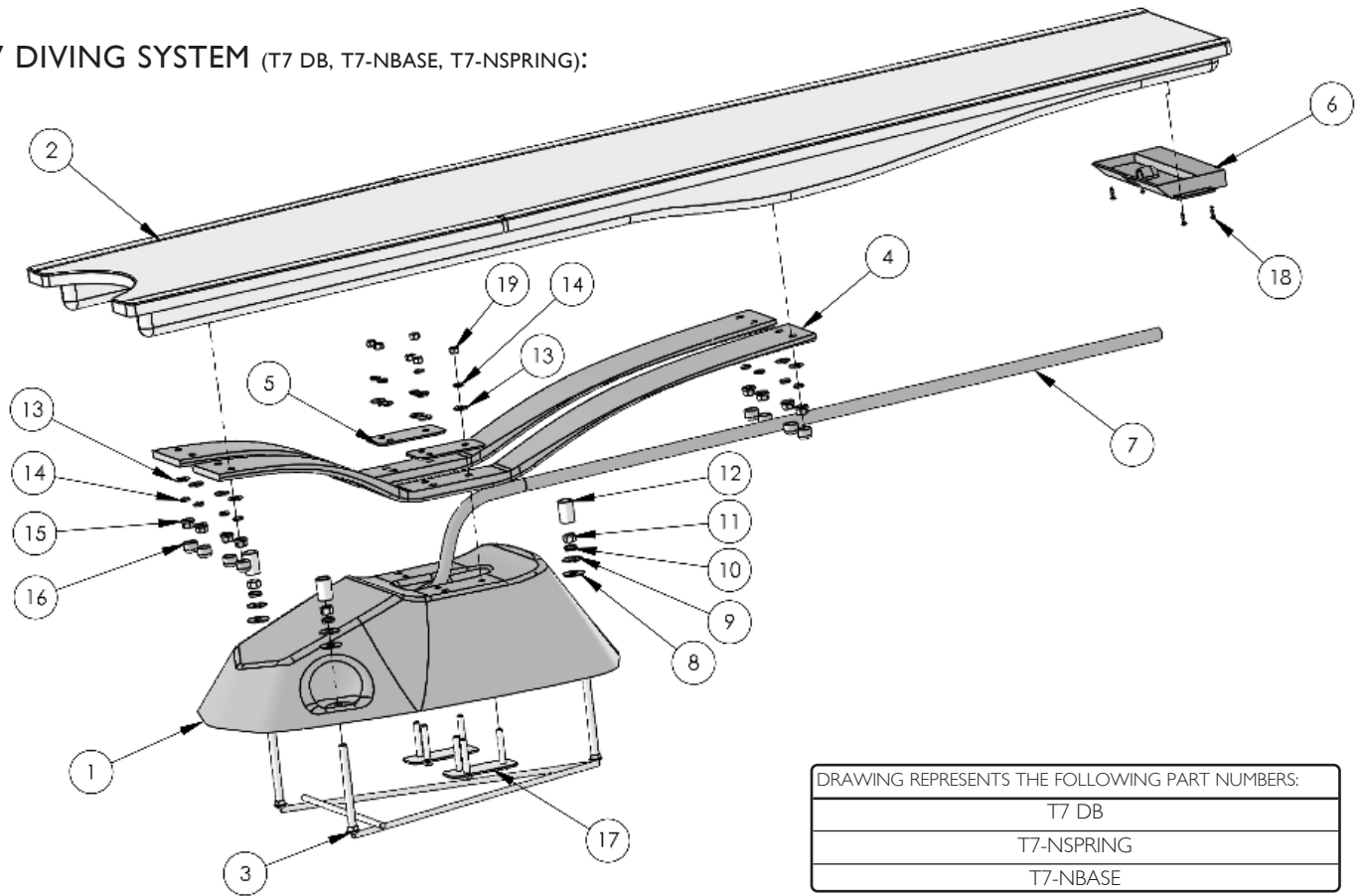
Use hardware kit T7-NSPW and attach the base to the springs as shown in exploded view on page 11.

Use a dab of anti-seize provided and tighten these now to 25-30 ft lbs torque.



6. Tighten the 8 nuts that hold the board to the springs at this time. Torque to 20-25 ft lbs. (Note: all hardware should be tight at this point of installation)
7. With the assembly upside down and on protective cardboard move as close as possible to mounting jig. Attach Board Fall waterfall plumbing as described in installation manual "Install Water Feature" on pages 8 and 9.
8. The assembly is now ready to set on the jig bolts. With 2 persons carefully set the assembly upright and onto the jig. If installing an Board Fall waterfall, tuck the excess hose underneath the base as it is set on the jig bolts. Using hardware kit T7-NBK attach the base to jig as shown in exploded view on page 11. Tighten these nuts to 40-50 ft lbs torque.

T7 DIVING SYSTEM (T7 DB, T7-NBASE, T7-NSPRING):



| | | | |
|--|--|--|--|
| DRAWING REPRESENTS THE FOLLOWING PART NUMBERS: | | | |
| T7 DB | | | |
| T7-NSPRING | | | |
| T7-NBASE | | | |

| ITEM # | COMPONENT | DESCRIPTION | KITS – QTY. COUNTS | | | |
|--------|--------------------------------|--|--------------------|-----------|---------|-----|
| | | | T7-NBK | T7-102-SS | T7-NSPW | T-7 |
| 1 | T7-NBASE-(color code) | NO STEP T7 BASE | | | | 1 |
| 2 | T7-DB-(color code) | 7' T7 DIVING BOARD | | | | 1 |
| 3 | T7-NJIG | 3 BOLT T7 NO STEP BASE JIG | | | | 1 |
| 4 | T7-NSPRING-(color) | T7 NBASE SPRINGS (pair) | | | | 1 |
| 5 | SPRING PAD (factory installed) | T7 NSPRING PAD | | | | 2 |
| 6 | BOARD FALL (-L) | OPTIONAL WATERFALL FEATURE | | | | 1 |
| 7 | H-1/2 SPA HOSE | 1/2" PVC FLEX SPA HOSE GRAY | | | | 1 |
| 8 | H-1/2 NYLON WAS | 1/2" FLAT NYLON WASHER | 3 | | | |
| 9 | H-SS 1/2 F WAS | 1/2" SS FLAT WASHER | 3 | | | |
| 10 | H-SS 1/2 LOC WA | 1/2" SS LOCK WASHER | 3 | | | |
| 11 | H-SS 1/2 H NUT | 1/2" SS HEX NUT | 3 | | | |
| 12 | H-1-1/2 WHT CAP | .750 X 1-1/2 WHITE UV NUT CAP | 3 | | | |
| 13 | H-SS 3/8 FLT WA | 3/8" SS FLAT WASHER | | 8 | 6 | |
| 14 | H-SS 3/8 LOC WA | 3/8" SS LOCK WASHER | | 8 | 6 | |
| 15 | H-SS 3/8 F NUT | 3/8" SS FINISH HEX NUT | | 8 | | |
| 16 | H-.562 X .390 CAP | .553 X 1/2" GRAY PROTECTIVE CAP | | 8 | | |
| 17 | T7-NSPW | STUD PLATE | | | 2 | |
| 18 | H-SS #8 X 3/4 | SS 8 X 3/4" PAN HEAD PHILLIPS SCREW | | | | 4 |
| 19 | H-SS 3/8 NYLON | 3/8" NYLON INSERT LOCK NUT | | | 6 | |
| 20* | H-ANTI-SEIZE | PACKET OF ANTI SEIZE LUBRICANT (NOT SHOWN) | | 1 | 1 | |

T7-NBK:
Base to Jig Mounting Hardware

T7-102-SS:
Board to Springs Mounting Hardware

T7-NSPW:
Spring to Base Mounting Hardware

* not pictured

NOTES:

* Part #T7-NBASE comes WITH jig.

The T7 diving board, base, and springs must be used together and cannot be used separately in any other configuration.

T7™ CARE & MAINTENANCE:

Your T7 diving system requires periodic maintenance to keep it looking like new.*

- Wash Monthly or more frequently, if needed. Be careful to keep cleaning material from entering the pool.
- Wash with a mild soap such as hand dishwashing soap, avoid using strong cleaners or abrasives. Avoid strong alkaline (such as tri-sodium phosphate) or highly acidic cleaners. Avoid bleach and ammonia.
- With the exception of the slip resistant surface on the top of the diving board, wax the diving system once or twice a year with a good grade paste wax formulated for gel coat surfaces. CAUTION: be careful when applying wax. Waxing the slip resistant surfaces may cause them to become slippery resulting in possible serious injury.

* These suggestions and data based on information believed to be reliable, from our raw materials manufacturers. They are offered in good faith, but without guarantee, as conditions and methods of use and procedures are beyond our control.

SUPPORT INFORMATION: ARTICLE 5 – POOL DIMENSIONS AND TOLERANCES
 Extracted from ANSI/APSP/ICC-5 2011, American National Standard for Residential Inground Swimming Pools

To obtain complete copies of the ANSI/APSP/
 ICC-5 2011
 Standard for Residential Inground Pools contact:

The Association of Pool & Spa Professionals
 (APSP)
 2111 Eisenhower Ave.
 Alexandria, VA 22314
 (703) 838-0083

or visit: APSP.org

5 Pool Dimensions and Tolerances

5.1 General requirements. Design dimensions shall comply with the specifications in this standard. The pool shall be constructed to these design dimensions within the tolerances listed in 5.1.1.

5.1.1 Construction tolerances. There shall be construction tolerances allowed on dimensional designs. The length, width, and depth shall be limited to a tolerance of plus or minus 3 in. ($\pm 76\text{ mm}$). All other dimensions shall be limited to a tolerance of ± 2 in. ($\pm 51\text{ mm}$), unless otherwise specified.

NOTE: Negative construction tolerances shall not be applied to the shallow area dimensions of the Minimum Diving Envelope given in Table 1, p. 4.

5.2 Perimeter shape. No limits are specified for shapes of pools. Consideration shall be given to circulation and safety to the user.

5.3 Walls—Requirements

5.3.1 Walls in the shallow area and deep area of the pool shall not slope greater than 11° (5:1 slope ratio) to a transition point of the floor (see Figure 1). The transition to the bottom of the pool between points D and E (see Figure 3, p. 5) shall not be less than 2 ft 3 in. (686 mm) below the waterline.

5.3.2 As shown in Figure 2, at the depths of (A) and (B), the walls are permitted to continue to join the floor.

Figure 1 Maximum allowable wall slope

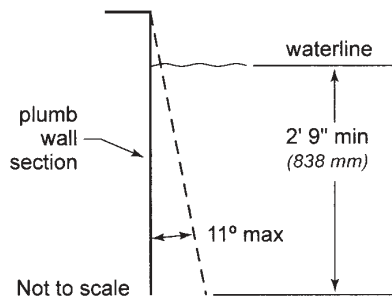
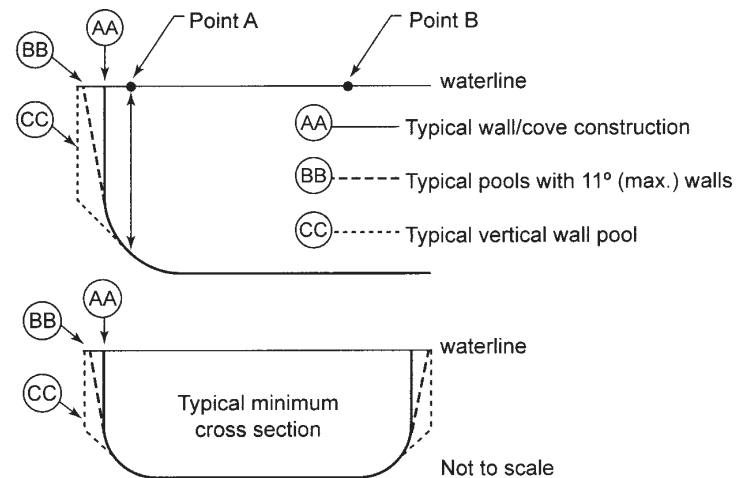


Figure 2 Typical pool design configurations



SUPPORT INFORMATION: ARTICLE 5 – POOL DIMENSIONS AND TOLERANCES
 Extracted from ANSI/APSP/ICC-5 2011, American National Standard for Residential Inground Swimming Pools

Figure 3 Minimum diving water envelope

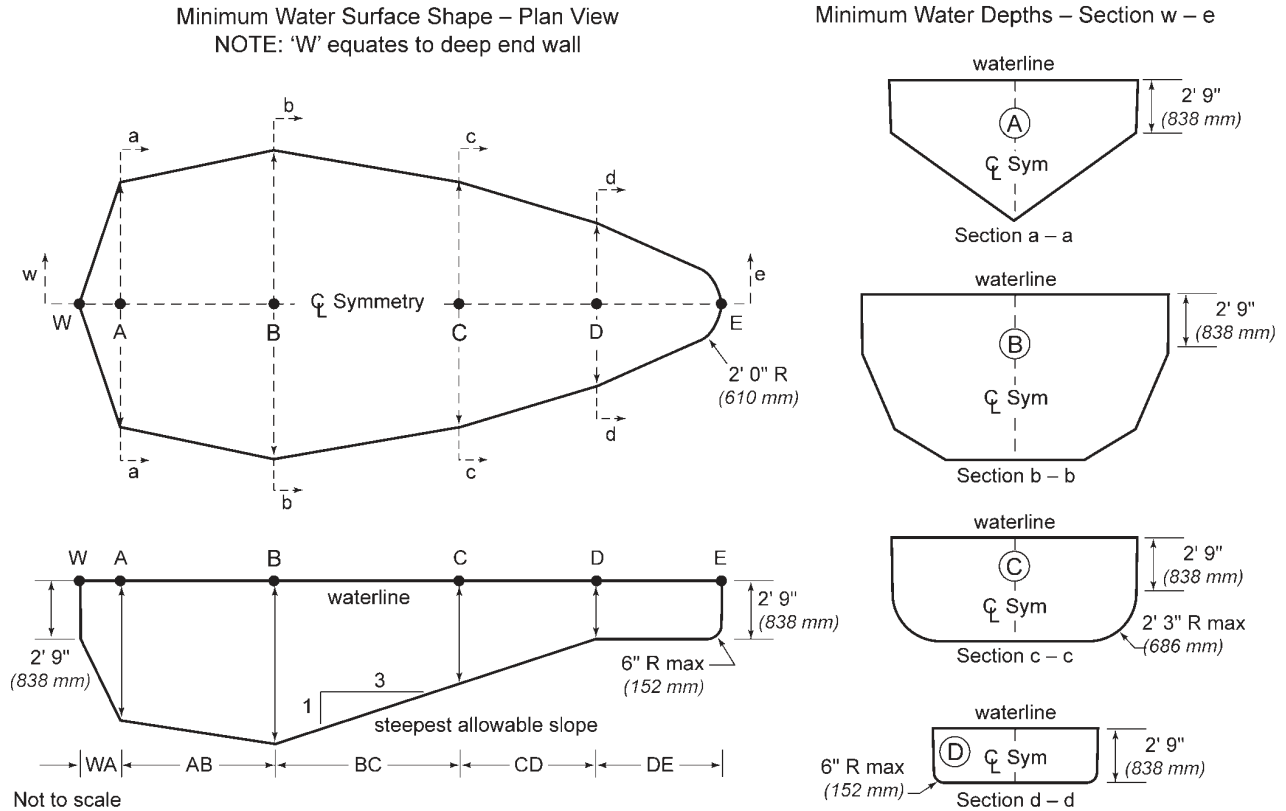


Table 1. Minimum diving water envelope for swimming pools designated types I-V

| Pool Types | Minimum Depths at Point | | | | Minimum Widths at Point | | | | Minimum Lengths between Points | | | | | |
|------------|---|-------------------|-------------------|-------------------|-------------------------|--------------------|--------------------|-------------------|--------------------------------|-------------------|--------------------|--------|-------------------|--------------------|
| | A | B | C | D | A | B | C | D | WA | AB | BC | CD | DE | WE |
| 0 | Manufactured diving equipment is prohibited | | | | | | | | | | | | | |
| 1 | 6' 0" (1.82 m) | 7' 6" (2.29 m) | 5' 0" (1.52 m) | 2' 9" (838 mm) | 10' 0" (3.05 m) | 12' 0" (3.66 m) | 10' 0" (3.05 m) | 8' 0" (2.44 m) | 1' 6" (457 mm) | 7' 0" (2.13 m) | 7' 6" (2.29 m) | Varies | 6' 0" (1.82 m) | 28' 9" (8.76 m) |
| 2 | 6' 0" (1.82 m) | 7' 6" (2.29 m) | 5' 0" (1.52 m) | 2' 9" (838 mm) | 12' 0" (3.66 m) | 15' 0" (4.57 m) | 12' 0" (3.66 m) | 8' 0" (2.44 m) | 1' 6" (457 mm) | 7' 0" (2.13 m) | 7' 6" (2.29 m) | Varies | 6' 0" (1.82 m) | 28' 9" (8.76 m) |
| 3 | 6' 10" (2.08 m) | 8' 0" (2.44 m) | 5' 0" (1.52 m) | 2' 9" (838 mm) | 12' 0" (3.66 m) | 15' 0" (4.57 m) | 12' 0" (3.66 m) | 8' 0" (2.44 m) | 2' 0" (610 mm) | 7' 6" (2.29 m) | 9' 0" (2.74 m) | Varies | 6' 0" (1.82 m) | 31' 3" (9.53 m) |
| 4 | 7' 8" (2.34 m) | 8' 6" (2.59 m) | 5' 0" (1.52 m) | 2' 9" (838 mm) | 15' 0" (4.57 m) | 18' 0" (5.49 m) | 15' 0" (4.57 m) | 9' 0" (2.74 m) | 2' 6" (762 mm) | 8' 0" (2.44 m) | 10' 6" (3.20 m) | Varies | 6' 0" (1.82 m) | 33' 9" (10.3 m) |
| 5 | 8' 6" (2.59 m) | 9' 0" (2.74 m) | 5' 0" (1.52 m) | 2' 9" (838 mm) | 15' 0" (4.57 m) | 18' 0" (5.49 m) | 15' 0" (4.57 m) | 9' 0" (2.74 m) | 3' 0" (914 mm) | 9' 0" (2.74 m) | 12' 0" (3.66 m) | Varies | 6' 0" (1.82 m) | 36' 9" (11.2 m) |

NOTES

1. Minimum length between points CD may vary based upon water depth at point D and the slope between points C and D.
2. Drawings are not to scale.
3. Negative construction tolerances (see para. 5.1.1) shall not be applied to any of the dimensions shown in the Minimum Water Envelopes given in Table 1.
4. Pool types designate minimum water envelope sizes as specified by the diving board manufacturers.

SUPPORT INFORMATION: ARTICLE 5 – POOL DIMENSIONS AND TOLERANCES

Extracted from ANSI/APSP/ICC-5 2011, American National Standard for Residential Inground Swimming Pools

Figure 4 Offset ledges

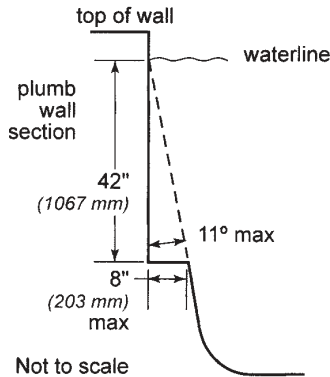
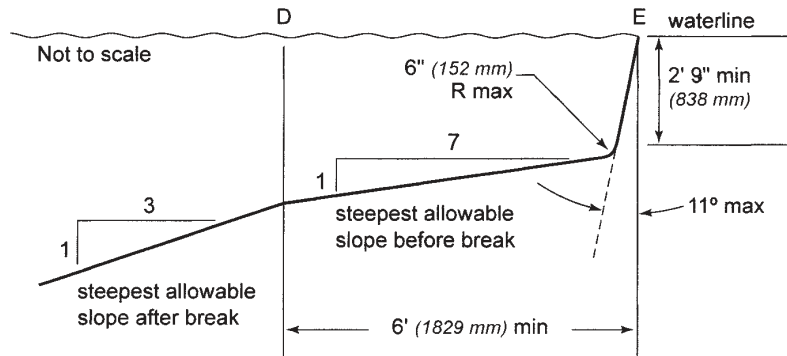


Figure 5 Shallow end depths



5.4 Offset Ledges

5.4.1 Offset ledges shall be a maximum of 8 in. (203 mm) wide.

5.4.1.1 Offset ledges located less than 42 in. (1.07 m) below waterline shall be proportionately less than 8 in. (203 mm) wide and fall within 11° from plumb, measured from the top of the waterline (see Figure 4).

5.5 Floor slopes. Floor slopes shall be reasonably uniform and comply with paras. 5.5.1 through 5.5.3.

5.5.1 The slope of the floor from the shallow end wall towards the deep area shall not exceed a 1:7 incline to the point of the first slope change, if any (D–E) as shown in Figure 5.

5.5.2 Changes in slope between shallow and deep areas shall be at a minimum water depth of 2 ft 9 in. (838 mm) and be at least 6 ft (1.83 m) from the shallow end, except as specified in para. 6.3.

5.5.3 The slope of the floor shall not exceed a 1:3 incline under the lengths (B–D) of the Diving Envelope (see Figure 5).

5.6 Shallow end water depths. Water depth in the shallow area shall be a minimum of 2 ft 9 in. (838 mm), except for those locations specified in para. 6.3 “Shallow End Detail for Beach and Sloping Entries.”

5.7 Manufactured diving equipment for in-ground swimming pools (diving board/stand combination, manufactured platform, or field fabricated)

5.7.1 When manufactured or field fabricated diving equipment is installed, it shall conform to the specifications set forth in paras. 5.7–5.9. It shall be located in the deep area of the pool to provide the minimum dimensions as shown in para. 5.8, and shall be installed in accordance with manufacturer’s instructions.

5.7.1.1 Manufactured or field fabricated diving equipment shall be located directly above Point A. Diving equipment shall not be installed on Type O pools (see Table 1).

5.7.1.2 Maximum elevation of a diving board above the water shall be in accordance with manufacturer’s installation instructions. Raised decking may be installed around the diving board up to level with the top of the board.

5.7.2 Manufactured diving equipment installation and use instructions shall be provided by the diving equipment manufacturer and shall specify the minimum water dimensions required for each diving board and diving stand combination. They shall refer to the diving envelope type of their choice by dimensionally relating their products to Point A on the diving envelopes as shown in Figure 3, Table 1, and paras. 5.8.1–5.8.3.

5.7.2.2 Diving equipment shall be permanently labeled and affixed to the diving equipment or jump boards and include, but not be limited to the following:
 manufacturer’s diving equipment name and address
 date of manufacture
 minimum diving envelope
 maximum weight limitations.

5.7.2.3 Diving equipment shall have slip-resisting tread surfaces.

5.8 Figure 3 diagrams show dimension points referred to in Table 1.

5.8.1 Point A: Point A is the point from which all other forward dimensions of width, length, and depth are then established for the Minimum Diving Water Envelope. If the tip of the diving board or diving platform overhang is located at a distance of WA or greater from the deep end wall and the water depth at that location is equal to or greater than the water depth requirement at Point A (see Table 1), then the point on the water surface directly below the center of the tip of the diving board or diving platform shall be identified as Point A.

SUPPORT INFORMATION: ARTICLE 5 – POOL DIMENSIONS AND TOLERANCES

Extracted from ANSI/APSP/ICC-5 2011, American National Standard for Residential Inground Swimming Pools

5.8.1.2 Location of Point A: The minimum Diving Water Envelope dimensions for pools with manufactured diving equipment shall be taken from Point A as shown in Figure 3. Point A shall be defined as the point on the water surface where the water depth is required at Point A and is provided at a distance of WA as shown in Table 1 from the deep end wall. The center of the tip of the diving board, platforms, manufactured or field fabricated shall be located directly above Point A.

5.8.1.3 Point A as shown in Figure 3 and Table 1 shall be the reference point of origin for all dimensions defining the minimum diving envelope.

5.8.2 Type O pools (where diving is prohibited) shall not be limited in width, length, or water depth except as specifically provided for in this standard.

5.8.3 Location of equipment and pool features in the minimum diving envelope. If the pool is designed for use with diving equipment, all steps, pool stairs, ladders, underwater benches, offset ledges special features and other accessory items or any parts thereof, these features shall be located outside the Minimum Diving Envelope (see Figure 6).

5.9 Stationary diving platform(s) and diving rock(s). Stationary diving platform(s) and diving rock(s) built on site field fabricated shall be allowed to be flush with the wall and located in the diving area of the pool. Point A shall be in front of the wall at the platform or diving rock centerline. **Diving rocks or platforms are prohibited on Pool Type O.**

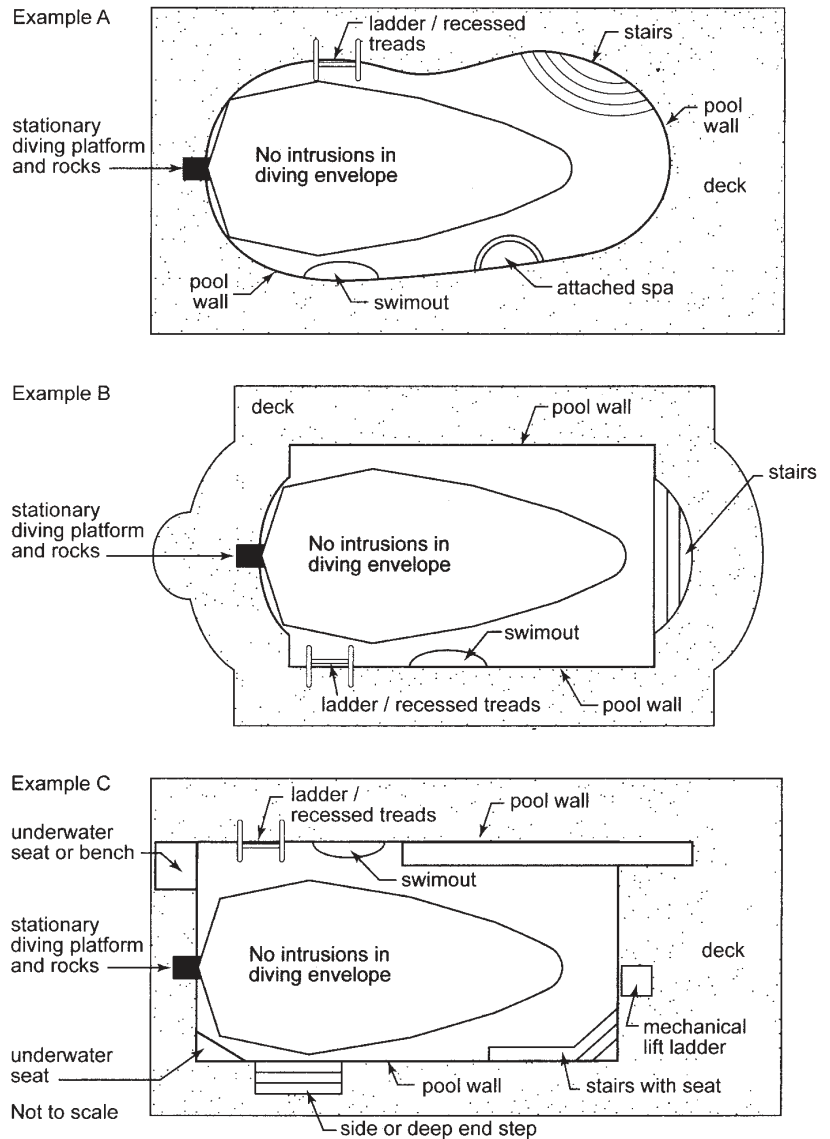
5.10 Stationary diving platform(s) and diving rock(s)

5.10.1 Stationary diving platform(s) and diving rock(s) shall not be permitted on Pool Type O.

5.10.2 The maximum height of the stationary diving platform or diving rock above the waterline shall be as follows:

| | |
|---------------|------------------|
| Pool Type I | 42 in. (1.07 m) |
| Pool Type II | 42 in. (1.07 m) |
| Pool Type III | 50 in. (1.27 m) |
| Pool Type IV | 60 in. (1.52 m) |
| Pool Type V | 69 in. (1.75 m). |

Figure 6 Top view examples of accessory equipment and pool features prohibited in the minimum diving envelope



5.10.3 The diving equipment manufacturer shall specify minimum headroom above water.

5.11 Swimming pool slides

5.11.1 Slides, where installed, shall be installed in accordance with the manufacturer's specifications and comply with the U.S. Consumer Product Safety Commission (CPSC) *Standard for Swimming Pool Slides* as published in the *Code of Federal Regulations, 16 CFR Ch. II, Part 1207*.

5.11.2 Slides constructed on-site are not covered by this standard.

