

# Polaris® PB4-60

ENGLISH | FRANÇAIS

## Pressure Cleaner Booster Pump Installation and Operation Manual



For Polaris PB4-60 Booster Pumps with Serial Numbers beginning with "PB" and a manufacturing date on or after Dec 1, 2011.

### WARNING

**FOR YOUR SAFETY** - This product must be installed and serviced by a contractor who is licensed and qualified in pool equipment by the jurisdiction in which the product will be installed, where such state or local requirements exist. In the event no such state or local requirement exists, the maintainer must be a professional with sufficient experience in pool equipment installation and maintenance, so that all of the instructions in this manual can be followed exactly. Improper installation and/or operation can create dangerous electrical hazards, which can cause high voltages to run through the electrical system. Before installing this product, read and follow all warning notices and instructions that accompany this product. Failure to follow warning notices and instructions may result in property damage, personal injury, or death. Improper installation and/or operation will void the warranty.

If these instructions are not followed exactly, a fire or explosion may result, causing property damage, personal injury, or death.



**ATTENTION INSTALLER:** This manual contains important information about the installation, operation and safe use of this product. This information should be given to the owner/operator of this equipment.

## Table of Contents

<p><b>Section 1. IMPORTANT SAFETY INSTRUCTIONS</b> ..... 3</p> <p>1.1 Safety Instructions ..... 3</p> <p>1.2 Pool Pump Suction Entrapment Prevention Guidelines..... 5</p> <p><b>Section 2. General Description</b>..... 6</p> <p>2.1 Introduction ..... 6</p> <p>2.2 Description ..... 6</p> <p>2.3 Preparation ..... 6</p> <p><b>Section 3. Installation</b>..... 6</p> <p>3.1 Electrical Installation ..... 6</p> <p style="padding-left: 20px;">3.1.1 Voltage Checks ..... 6</p> <p style="padding-left: 20px;">3.1.2 Bonding and Grounding..... 6</p> <p>3.2 Electrical ..... 6</p> <p style="padding-left: 20px;">3.2.1 Electrical Wiring..... 7</p> <p>3.3 Plumbing..... 7</p> <p style="padding-left: 20px;">3.3.1 Requirements ..... 7</p> <p style="padding-left: 20px;">3.3.2 Pipe Sizing..... 8</p> <p style="padding-left: 20px;">3.3.3 Pump Location..... 8</p> <p style="padding-left: 20px;">3.3.4 Install the Pump..... 9</p> <p style="padding-left: 20px;">3.3.5 Installation Recommendations ..... 9</p> <p style="padding-left: 20px;">3.3.6 Check the Water Flow ..... 9</p> <p style="padding-left: 20px;">3.3.7 Conduct Pressure Test ..... 10</p>	<p><b>Section 4. Operation</b>..... 10</p> <p>4.1 Start-up ..... 10</p> <p><b>Section 5. Maintenance</b> ..... 11</p> <p>5.1 Winterizing the Pump..... 11</p> <p><b>Section 6. Troubleshooting and Repair</b> ..... 12</p> <p>6.1 Troubleshooting ..... 12</p> <p>6.2 Service Technician Maintenance ..... 13</p> <p style="padding-left: 20px;">6.2.1 Blocked Impeller ..... 13</p> <p style="padding-left: 20px;">6.2.2 Impeller Removal..... 13</p> <p style="padding-left: 20px;">6.2.3 Impeller Replacement..... 14</p> <p style="padding-left: 20px;">6.2.4 Mechanical Seal Replacement ..... 14</p> <p style="padding-left: 20px;">6.2.5 Motor Replacement ..... 15</p> <p><b>Section 7. Product Specifications and Technical Data</b> ..... 16</p> <p>7.1 Replacement Parts List..... 16</p> <p>7.2 Polaris PB4-60 Booster Pump Exploded View . 16</p> <p>7.3 Pump Dimensions..... 17</p> <p>7.4 Visual Identification of the New Polaris PB4-60 Booster Pump ..... 18</p>
--	--

### EQUIPMENT INFORMATION RECORD

**DATE OF INSTALLATION** \_\_\_\_\_

**INSTALLER INFORMATION** \_\_\_\_\_

**INITIAL PRESSURE GAUGE READING (WITH CLEAN FILTER)** \_\_\_\_\_

**PUMP MODEL** \_\_\_\_\_

**HORSEPOWER** \_\_\_\_\_

**NOTES:** \_\_\_\_\_

\_\_\_\_\_

\_\_\_\_\_

# Section 1. IMPORTANT SAFETY INSTRUCTIONS

## READ AND FOLLOW ALL INSTRUCTIONS

### 1.1 Safety Instructions

All electrical work must be performed by a licensed electrician and conform to all national, state, and local codes. When installing and using this electrical equipment, basic safety precautions should always be followed, including the following:

#### WARNING

To reduce the risk of injury, do not permit children to use this product.

#### WARNING

To reduce the risk of property damage or injury, do not attempt to change the backwash (multiport, slide, or full flow) valve position with the pump running.

#### WARNING

Zodiac® pumps are powered by a high voltage electric motor and must be installed by a licensed or certified electrician or a qualified swimming pool service technician.

#### WARNING

**RISK OF ELECTRIC SHOCK, FIRE, PERSONAL INJURY, OR DEATH.** Connect only to a branch circuit that is protected by a ground-fault circuit-interrupter (GFCI). Contact a qualified electrician if you cannot verify that the circuit is protected by a GFCI. Make sure such a GFCI should be provided by the installer and should be tested on a routine basis. To test the GFCI, push the test button. The GFCI should interrupt power. Push the reset button. Power should be restored. If the GFCI fails to operate in this manner, the GFCI is defective. If the GFCI interrupts power to the pump without the test button being pushed, a ground current is flowing, indicating the possibility of electrical shock. Do not use the pump. Disconnect the pump and have the problem corrected by a qualified service representative before using.

Due to the potential risk of fire, electric shock, or injuries to persons, Zodiac Pumps must be installed in accordance with the National Electrical Code® (NEC®), all local electrical and safety codes, and the Occupational Safety and Health Act (OSHA®). Copies of the NEC may be ordered from the National Fire Protection Association® (NFPA®) online at [www.nfpa.org](http://www.nfpa.org) or call 617-770-3000, or contact your local government inspection agency.

#### WARNING

Incorrectly installed equipment may fail, causing severe injury or property damage.

#### WARNING

- Do not connect the system to an unregulated city water system or other external source of pressurized water producing pressures greater than 35 PSI.
- Trapped air in system can cause the filter lid to be blown off, which can result in death, serious personal injury, or property damage. Be sure all air is out of the system before operating.

**⚠ WARNING**

To minimize the risk of severe injury or death the filter and/or pump should not be subjected to the piping system pressurization test.

Local codes may require the pool piping system to be subjected to a pressure test. These requirements are generally not intended to apply to the pool equipment such as filters or pumps.

Zodiac® pool equipment is pressure tested at the factory.

However, if the WARNING cannot be followed and pressure testing of the piping system must include the filter and/or pump, **BE SURE TO COMPLY WITH THE FOLLOWING SAFETY INSTRUCTIONS:**

- Check all clamps, bolts, lids, lock rings and system accessories to ensure they are properly installed and secured before testing.
- **RELEASE ALL AIR** in the system before testing.
- Water pressure for test must **NOT EXCEED 35 PSI**.
- Water temperature for test must **NOT EXCEED 100°F (38°C)**.
- Limit test to 24 hours. After test, visually check system to be sure it is ready for operation.

**NOTICE:** These parameters apply to Zodiac equipment only. For non-Zodiac equipment, consult equipment manufacturer.

**⚠ WARNING**

Chemical spills and fumes can weaken pool/spa equipment. Corrosion can cause filters and other equipment to fail, resulting in severe injury or property damage. Do not store pool chemicals near your equipment.

**⚠ CAUTION**

Do not start pump dry! Running the pump dry for any length of time will cause severe damage and will void the warranty.

**⚠ CAUTION**

This pump is for use with permanently installed pools and may also be used with hot tubs and spas if so marked. Do not use with storable pools. A permanently installed pool is constructed in or on the ground or in a building such that it cannot be readily disassembled for storage. A storable pool is constructed so that it may be readily disassembled for storage and reassembled to its original integrity.

**⚠ CAUTION**

Do not install within an outdoor enclosure or beneath the skirt of a hot tub or portable spa. The pump requires adequate ventilation to maintain air temperature at less than the maximum ambient temperature rating listed on the motor rating plate.

**SAVE THESE INSTRUCTIONS**

## 1.2 Pool Pump Suction Entrapment Prevention Guidelines

### ⚠ WARNING

**Pump suction is hazardous and can trap and drown or disembowel bathers. Do not use or operate swimming pools, spa, or hot tubs if a suction outlet cover is missing, broken, or loose.** The following guidelines provide information for pump installation that minimizes the risk of injury to users of pools, spas, and hot tubs:

**Entrapment Protection** - The pump suction system must provide protection against the hazards of suction entrapment.

**Suction Outlet Covers** - All suction outlets must have correctly installed, screw-fastened covers in place. All suction outlet (drain) covers must be maintained. Drain covers must be listed/certified to the latest version of ANSI®/ASME® A112.19.8 or its successor standard, ANSI/APSP-16. They must be replaced if cracked, broken, or missing.

**Number of Suction Outlets Per Pump** - Provide at least two (2) hydraulically-balanced main drains, with covers, as suction outlets for each circulating pump suction line. The centers of the main drains (suction outlets) on any one (1) suction line must be at least three (3) feet apart, center to center. See Figure 1.

The system **must** be built to include at least two (2) suction outlets (drains) connected to the pump whenever the pump is running. However, if two (2) main drains run into a single suction line, the single suction line may be equipped with a valve that will shut off both main drains from the pump. The system shall be constructed such that it shall not allow for separate or independent shutoff or isolation of each drain. See Figure 1.

More than one (1) pump can be connected to a single suction line as long as the requirements above are met.

**Water Velocity** - The maximum water velocity through the suction fitting or cover for any suction outlet must be 1.5 feet per second unless the outlet complies with the latest version of ANSI/ASME A112.19.8 or its successor standard, ANSI/APSP-16, the standard for Suction Fittings For Use in Swimming Pools, Wading Pools, Spas, and Hot Tubs. In any case, do not exceed the suction fitting's maximum designed flow rate.

If 100% of the pump's flow comes from the main drain system, the maximum water velocity in the pump suction hydraulic system must be six (6) feet per second or less, even if one (1) main drain (suction outlet) is completely blocked. The flow through the remaining main drain(s) must comply with the latest version of ANSI/ASME A112.19.8 or its successor standard, ANSI/APSP-16, the standard for Suction Fittings For Use in Swimming Pools, Wading Pools, Spas, and Hot Tubs.

**Testing and Certification** - Suction outlet covers must have been tested by a nationally recognized testing laboratory and found to comply with the latest version of ANSI/ASME A112.19.8 or its successor standard, ANSI/APSP-16, the standard for Suction Fittings For Use in Swimming Pools, Wading Pools, Spas, and Hot Tubs.

**Fittings** - Fittings restrict flow; for best efficiency use fewest possible fittings (but at least two (2) suction outlets). Avoid fittings which could cause an air trap.

Pool cleaner suction fittings must conform to applicable International Association of Plumbing and Mechanical Officials (IAPMO®) standards.

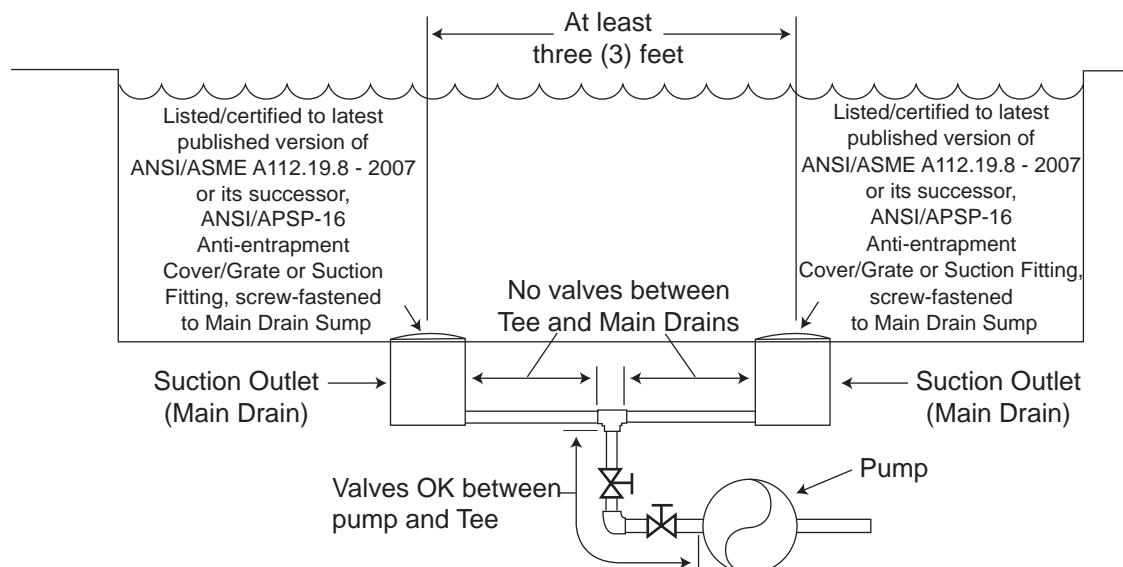


Figure 1. Number of Suction Outlets Per Pump

## Section 2. General Description

### 2.1 Introduction

This manual contains information for the proper installation, operation and maintenance of the Polaris PB4-60 pump. Procedures in this manual must be followed exactly. To obtain additional copies of this manual contact Zodiac Pool Systems, Inc. ("Zodiac") at 800.822.7933. For address information, see the back cover of this manual.

### 2.2 Description

The Polaris booster pump, PB4-60, supplies high pressure water to the Polaris pool cleaner to optimize cleaner efficiency. The pump is not self-priming and should only be used when the pool filtration pump is on.

#### CAUTION

Running the booster pump without a filtration pump will damage the booster pump. Improper operation of the booster pump will void the warranty.

### 2.3 Preparation

1. Upon receipt of the pump, check the carton for damage. Open the carton and check the pump for concealed damage, such as cracks, dents or a bent base. If damage is found, contact the shipper or distributor where you purchased the pump.
2. Inspect the contents of the carton and verify that all the parts are included. See Section 7.1, Replacement Parts List.

## Section 3. Installation

### 3.1 Electrical Installation

#### 3.1.1 Voltage Checks

The correct voltage, as specified on the pump data plate, is necessary for proper performance and long motor life. Incorrect voltage will decrease the pump's ability to perform and could cause overheating, reduce the motor life, and result in higher electric bills.

It is the responsibility of the electrical installer to provide data plate operating voltage to the pump by ensuring proper circuit sizes and wire sizes for this specific application.

The National Electrical Code® (NEC®, NFPA-70®) requires all pool pump circuits be protected with a Ground Fault Circuit-Interrupter (GFCI). Therefore, it is also the responsibility of the electrical installer to ensure that the pump circuit is in compliance with this and all other applicable requirements of the National Electrical Code (NEC) and any other applicable installation codes.

#### CAUTION

Failure to provide data plate voltage (within 10%) during operation will cause the motor to overheat and void the warranty.

#### 3.1.2 Bonding and Grounding

1. The motor frame must be grounded to a reliable grounding point using a solid copper conductor, No. 8 AWG (8.4mm<sup>2</sup>) or larger. In Canada, No. 6 AWG (13.3mm<sup>2</sup>) or larger must be used. If the pump is installed within five (5) feet (1,5 meter) of the inside walls of the swimming pool, spa, or hot tub, the motor frame must be bonded to all metal parts of the swimming pool, spa, or hot tub structure and to all electrical equipment, metal conduit, and metal piping within five (5) feet (1,5 meter) of the inside walls of the swimming pool, spa, or hot tub.
2. Bond the motor using the provided external lug.

#### WARNING

To avoid the risk of property damage, severe personal injury, and/or death, always disconnect the power source before working on a motor or its connected load.

#### WARNING

To avoid the risk of property damage, severe personal injury, and/or death, make sure that the control switch or time clock is installed in an accessible location so that in the event of an equipment failure or a loose plumbing fitting the equipment can be turned off. This location must not be in the same area as the pool pump, filter, and other equipment.

#### CAUTION

The pump must be permanently connected to a dedicated electrical circuit. No other equipment, lights, appliances or outlets may be connected to the pump circuit, with the exception of devices that may be required to operate simultaneously with the pump, such as a chlorinating device or heater.

### 3.2 Electrical

#### MOTOR RATING

HP	S.F	RPM	VOLTS	S.F. AMPS
3/4	1.5	3450	230/115, 60Hz, 1PH	6.4/12.8

**Table 1. Maximum Wire Size and Overcurrent Protection**

MAXIMUM WIRE SIZE AND MAXIMUM OVERCURRENT PROTECTION*								
Distance from Sub-Panel			0-50 feet (15 meters)		50-100 feet (15-30 meters)		100-200 feet (30-60 meters)	
Pump Model	Branch Fuse AMPs Class: CC, G, H, J, K, RK, or T		Voltage		Voltage		Voltage	
	230 VAC	115 VAC	208-230 VAC	115 VAC	208-230 VAC	115 VAC	208-230 VAC	115 VAC
PB4-60	15A	20A	14 AWG (2.1mm <sup>2</sup> )	12 AWG (3.3mm <sup>2</sup> )	12 AWG (3.3mm <sup>2</sup> )	10 AWG (5.3mm <sup>2</sup> )	10 AWG (5.3mm <sup>2</sup> )	10 AWG (5.3mm <sup>2</sup> )

\*Assumes three (3) copper conductors in a buried conduit and 3% maximum voltage loss in branch circuit. All National Electrical Code® (NEC®) and local codes must be followed. Table shows minimum wire size and branch fuse recommendations for a typical installation per NEC.

**3.2.1 Electrical Wiring**

1. The pump motor must be securely and adequately grounded using the green screw provided. Ground before attempting to connect to an electrical power supply. **Do not ground to a gas supply line.**
2. Wire size must be adequate to minimize voltage drop during the start-up and operation of the pump. See Table 1 for wire sizes.
3. Insulate all connections carefully to prevent grounding or short-circuits. Sharp edges on terminals require extra protection. To prevent wire nuts from loosening, tape them using a suitable, listed (UL®, ETL®, CSA®) electrical insulating tape. For safety, and to prevent entry of contaminants, reinstall all conduit and terminal box covers. **Do not force connections into the conduit box.**
4. To configure the internal wiring of the pump motor for the correct voltage, refer to the diagram on the motor data plate.
5. The starting current of the booster pump motor may exceed 15 amps on 115 VAC voltage line. It is recommended that a 20 amp service breaker be used for the pump connected to 115 VAC.
6. The booster pump motor is factory wired for 230 volts, but can be wired for either 115 or 230 volts. To rewire to 115 volt, follow the instructions on the name plate located on the back of the motor or the sizing plate on the side of the motor.

7. A separate time clock (in addition to the filtration system time clock) is recommended to control the On/Off functions of the booster pump. A manual switch can also be used.
8. If a time clock is used, set it to turn the pump on at least a half an hour after the pool filtration pump is turned on, and turn the pump off at least half an hour before the filtration pump shuts off. Periodically check the time clock settings to make sure they are properly synchronized.

**3.3 Plumbing**

**⚠ CAUTION**

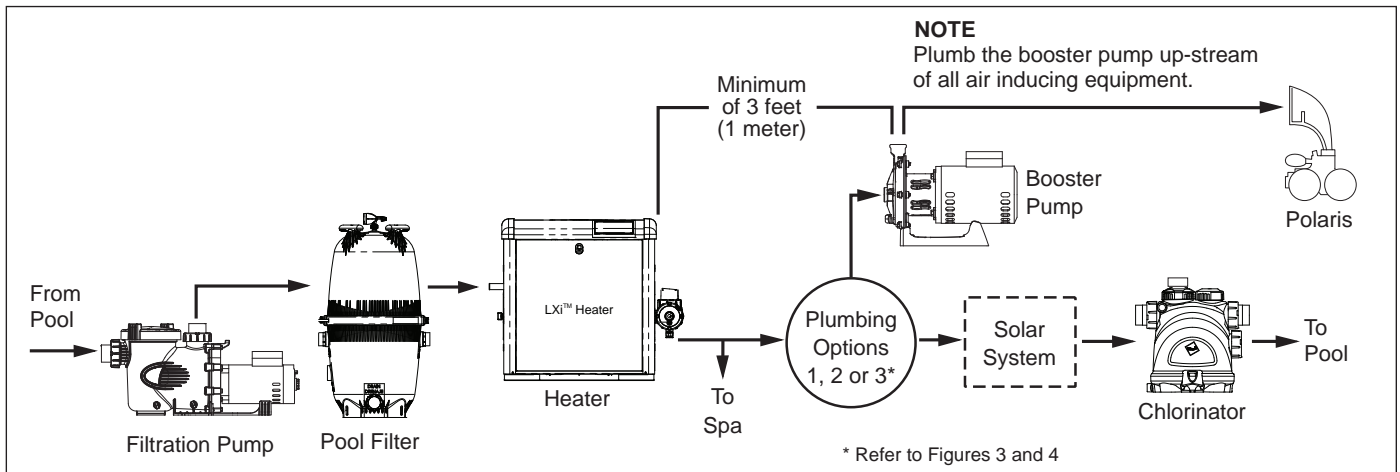
Be careful not to overtighten any pipe fitting on the inlet or outlet of the booster pump. Overtightening can cause the housing to crack.

**3.3.1 Requirements**

The Polaris Booster Pump requires a dedicated return line. Plumb the booster pump into the system so that it always receives flow from the filtration pump.

To ensure proper function of the pump and the cleaner, refer to Figure 2 and adhere to the following guidelines for specific equipment.

1. Plumb the dedicated line upstream of all air inducing equipment.



**Figure 2. Typical Equipment Layout**

2. If a heater is installed on the system, tap the inlet for the booster pump into the return line downstream and at least three (3) feet (1 meter) from the heater discharge. See Figure 2. **Do not tap the booster pump inlet into the three-foot (1 meter) section of heat sink pipe that comes directly out of the heater.**
3. Some solar heating systems utilize the entire water flow when the panels are being purged of air. If the pump is installed in a non-flow pipe during solar panel purges, install an automatic override to shut off the pump.
4. Plumb the booster pump inlet higher, upstream and as far away as possible from a chlorinator.

### 3.3.2 Pipe Sizing

1. Use rigid PVC pipe with a minimum diameter of 3/4", 1-1/2" is recommended, for the dedicated return line. Flexible PVC piping is not recommended for the dedicated pool return line underground as it can be damaged by expansion and movement caused by the surge of pump pressure. Refer to Figures 3 and 4.

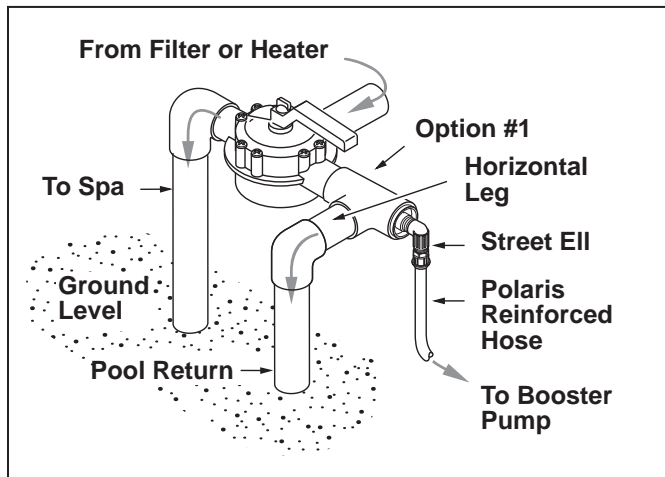


Figure 3. Preferred Plumbing Configuration

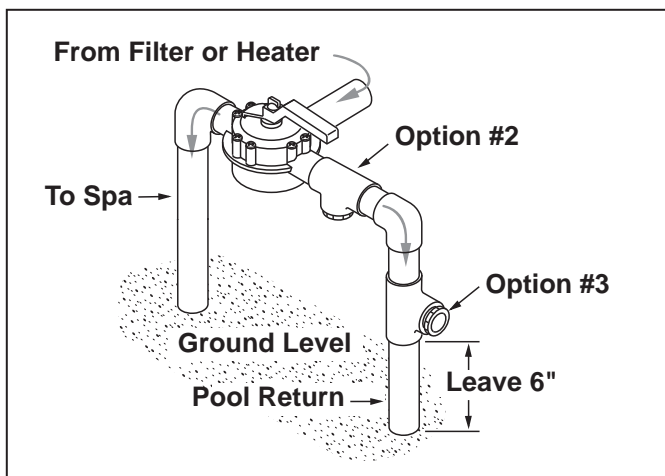


Figure 4. Alternate Plumbing Configuration

2. The booster pump inlet connection line should be at least 3/4" pipe. **The Softube Quick Connect fittings are designed to work with the Polaris reinforced hose (part #P19) only**
3. Do not tap into the top of a horizontal line.
4. Use 90° street ells to minimize bends and loops in the Polaris reinforced hose.

### 3.3.3 Pump Location

1. Zodiac Pool Systems, Inc. recommends installing the pump within one 1 foot (30 cm) above the water level. The pump should not be elevated more than a few feet above the water level of the pool.
2. If the pump is located below water level, isolation valves must be installed on both the suction and return lines to prevent back flow of pool water during any routine or required servicing.

## ⚠ WARNING

Some Safety Vacuum Release System (SVRS) devices are not compatible with installation of check valves. If the pool has an SVRS device, be sure to confirm that it will continue to safely operate when any check valves are installed.

3. The pump and other circulation equipment must be located more than 5 feet (1,5 meter) from the water. Choose a location that will minimize turns in the piping.
- NOTE** In Canada, the pump must be located a minimum of 3.0 meters [approximately 10 feet] from the water (CSA C22.1).
4. The pump must be placed on a solid foundation that will not vibrate. To further reduce the possibility of vibration noise, bolt the pump to the foundation.

**NOTE** Zodiac® recommends bolting the pump directly to the foundation.

5. The pump foundation must have adequate drainage to prevent the motor from getting wet. The pump needs to be protected from the rain and sun.
6. Proper ventilation is required for the pump to operate normally. All motors generate heat that must be removed by providing proper ventilation.
7. Provide access for future service by leaving a clear area around the pump. Allow plenty of space above the pump for servicing.
8. If the equipment is under cover, provide adequate lighting.



### 3.3.4 Install the Pump

1. Mount the pump using two (2) concrete expansion anchors to ensure stability.
2. Apply four (4) to six (6) wraps of Teflon® tape to the tapered thread of the connector barb. See Figure 5 (a).

## ⚠ CAUTION

Pipe dope should NEVER be used on barb threads. Pipe dope will severely weaken the plastic, causing leakage and may cause the plastic to fracture. DO NOT OVERTIGHTEN.

3. Thread and tighten the tapered thread of the connector barb into the pump port on the pump body. See Figure 5 (b).
4. Trim reinforced hose to required length. Make sure cut is clean and square. Avoid unnecessary loops or bends in the hose.
5. Slide connector nut onto the trimmed end of the hose with threaded end toward the cut end of the hose. See Figure 5 (c).
6. Apply water to connector barb to help hose slide over barbs. Push trimmed edge of hose fully onto the connector barb. See Figure 5 (d).
7. Slide/Rotate the connector nut to the barb to engage threads correctly, do not cross thread connector nut. Tighten the connector nut until threads are no longer visible (gap about 1/8" or just less than the width of two dimes), or until it touches the barb face. See Figure 6.

### 3.3.5 Installation Recommendations

1. If the pump is located below water level, isolation valves must be installed on both sides of the pump to prevent back flow of pool water during any

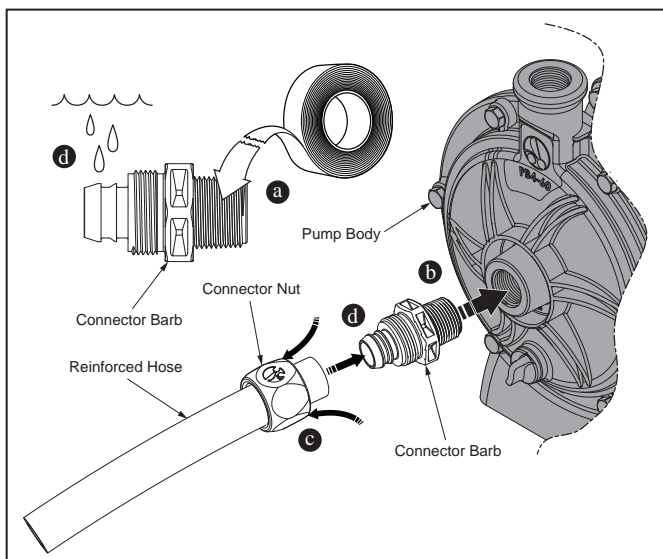


Figure 5. Prep and install Quick Connect barb and connector nut

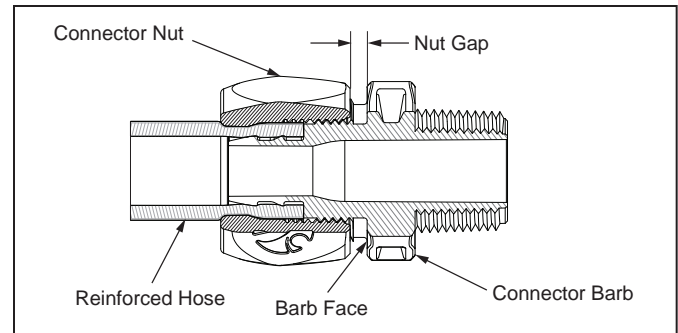


Figure 6. Tighten Connector Nut to Secure Hose

- routine or required servicing.
2. To help prevent difficulty in priming, install the suction pipe without high points (above inlet of pump - inverted "U"s in plumbing), which can trap air.
  3. The piping must be well supported and not forced together where constant stress will be experienced.
  4. Always use properly sized valves. Jandy® Pro Series diverter valves and ball valves typically have the best flow capabilities.
  5. Use the fewest fittings possible. Every additional fitting has the effect of moving the equipment farther away from the water.

**NOTE** If more than 10 suction fittings are needed, the pipe size must be increased.

### 3.3.6 Check the Water Flow

**NOTE** This pump must have minimum outlet pressure of 45 psi. Lower pressure may cause an over-current motor condition.

After the system is plumbed, verify water flow to the booster pump by disconnecting the inlet supply line at the booster pump and then turning on the filtration pump. Water should flow from the line.

If there is no water flow, check the following:

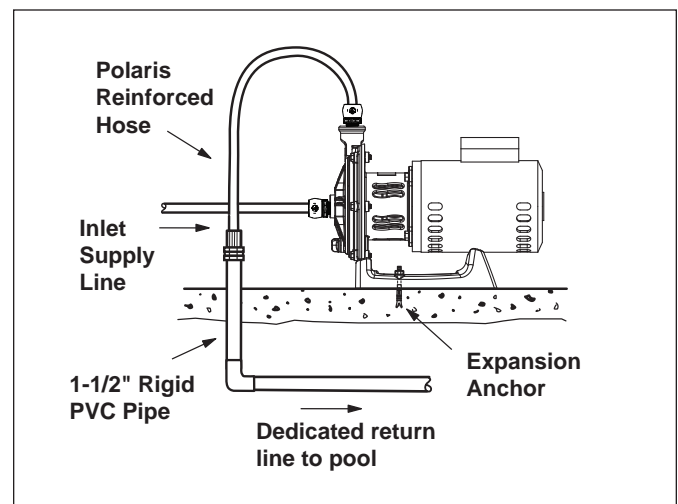


Figure 7. Complete Installation

1. Verify that the installation is correct. Refer to Figure 6.
2. Use smaller eyeball fittings in the pool return lines or plug a return line.

Once flow is established, the pump is ready for operation.

### 3.3.7 Conduct Pressure Test

#### **⚠ WARNING**

When pressure testing a system with water, air is often trapped in the system during the filling process. This air will compress when the system is pressurized. Should the system fail, this trapped air can propel debris at a high speed and cause injury. Every effort to remove trapped air must be taken, including opening the bleed valve on the filter and loosening the pump basket lid on the filter pump while filling the pump.

#### **⚠ WARNING**

Trapped air in system can cause filter lid to be blown off, which can result in death, serious personal injury, or property damage. Be sure all air is properly out of system before operating. **DO NOT USE COMPRESSED AIR TO PRESSURE TEST OR CHECK FOR LEAKS.**

#### **⚠ WARNING**

When pressure testing the system with water, it is very important to make sure that the pump basket lid on the filter pump is completely secure.

#### **⚠ WARNING**

Do not pressure test above 35 PSI. Pressure testing must be done by a trained pool professional. Circulation equipment that is not tested properly can fail, which could result in severe injury or property damage.

1. Fill the system with water, using care to eliminate trapped air.
2. Pressurize the system with water to no more than 35 PSI.
3. Close the valve to trap pressurized water in the system.
4. Observe the system for leaks and/or pressure decay.
5. For technical support, contact Zodiac® technical support at 800.822.7933.

## Section 4. Operation

### 4.1 Start-up

#### **⚠ CAUTION**

Never run the booster pump without water. Running the pump “dry” for any length of time can cause severe damage to both the pump and motor and will void the warranty.

#### **⚠ CAUTION**

Never run the booster pump without the cleaner connected. Running the pump without the cleaner connected will cause damage to the pump impeller and will void the warranty.

If this is a new pool installation, make sure all piping is clear of construction debris and has been properly pressure tested. The filter should be checked for proper installation, verifying all connections and clamps are secure according to the manufacturer's recommendations.

#### **⚠ WARNING**

To avoid risk of damage or injury, verify that all power is turned off before starting this procedure.

1. Turn filtration pump ON.
2. Open the filter pressure release to relieve the system pressure until water comes out.
3. If the filter pump is located below the water level of the pool, opening the filter pressure release valve will prime the pump with water.
4. Once all the air has left the filter, close the pressure release valve.
5. Turn on the power to the booster pump. Then turn on the booster pump.
6. The booster pump should prime. The time it takes to prime will depend on the elevation and length of pipe used on the suction supply pipe. See *Section 3.3.6* for proper elevation and pipe size.
7. If the booster pump does not prime and all the instructions to this point have been followed, check for a suction leak.

## Section 5. Maintenance

### 5.1 Winterizing the Pump

#### CAUTION

The pump **must** be protected when freezing temperatures are expected. Allowing the pump to freeze will cause severe damage and void the warranty.

#### CAUTION

**Do not use antifreeze solutions in the pool, spa, or hot tub systems!** Antifreeze is highly toxic and may damage the circulation system. The only exception to this is Propylene Glycol. For more information see your local pool/spa supply store or contact a qualified swimming pool service company.

1. Drain **all** water from the pump, system equipment, and piping.
2. Remove the drain plug. Store the drain plug in a safe location and reinstall it when the cold weather season is over. **Do not lose the o-ring.** (Drain Plug with O-ring Set, R0537000).
3. Keep the motor covered and dry.

**NOTE** Covering the pump with plastic will create condensation, and this moisture will damage the pump. The best way to protect your pump is to have a qualified service technician or electrician properly disconnect the electrical wiring at the switch or junction box. Once the power is removed, the two (2) quick connect fittings can be loosened and the pump stored indoors. For safety, and to prevent entry of contaminants, reinstall all conduit and terminal box covers.

4. When the system is reopened for operation, make sure all piping, valves, wiring, and equipment are in accordance with the manufacturer's recommendations. Pay close attention to the filter and electrical connections.
5. The pump must be primed prior to starting; refer to *Section 4.1, Start-up*.

## Section 6. Troubleshooting and Repair

Zodiac® strongly recommends that you call a licensed and qualified service professional in to perform any repairs on the filter/pump system. To locate an independent service company, check your local yellow pages or visit: [www.zodiacpoolsystems.com](http://www.zodiacpoolsystems.com).

### 6.1 Troubleshooting

Symptom	Possible Problem/Solution
The cleaning/circulating system is not operating correctly.	<p>Verify that skimmer baskets, pump basket and other screens are clean. Clean as necessary.</p> <p>Check filter and clean as necessary.</p> <p>Check valve positions. Adjust as necessary.</p> <p><b>NOTE</b> Multiple pieces of equipment operating at one time (for example, waterfalls, spa jets, and surface returns) may prevent the cleaning system from working properly.</p> <p>Check the cleaning system manually to ensure that the system is adjusted according to the manufacturer's recommendations.</p>
Bubbles present in the filtration pump basket.	<p>Air in system. Check the pool or spa water level to ensure it is at the proper level and that air is not being drawn into the suction piping. If the water is at normal level, turn off the pump. Remove the lid and check for debris around the lid o-ring seat or improper installation of the lid seal, as this either of these conditions will cause air to leak into the system. Clean the lid o-ring and place on the lid. Hand-tighten the lid to make an air tight seal. <b>Do not use any tools to tighten the lid.</b> Turn the pump back on.</p>
Air leaks are still present.	<p>Check the suction side piping union. While the pump is running, try to tighten the union. If this does not stop the air leak, turn off the pump. Loosen both unions and slide the pump out of the way. Remove, clean and re-install both union o-rings on the filtration pump.</p> <p>Reposition the pump next to the piping and secure the union nuts to the pump. With clean union o-rings, hand-tightening of the unions should create a seal. If the unions still do not seal, gently tighten with a large pair of tongue-and-groove pliers.</p> <p><b>Do not over-tighten.</b></p>
There is no air in the system, but the pressure is still low.	<p>It is possible that debris is caught in the pump impeller. The pump impeller moves the water, and the vanes in the impeller can become blocked with debris. See <i>Section 6.2, Service Technician Maintenance, 6.2.1, Blocked Impeller</i>, for more information.</p>
There is no debris blocking the impeller <b>and</b> the pressure is still low.	<p>The pump impeller is showing signs of normal wear. Have a qualified service technician check the impeller and replace as necessary.</p> <p>If the pump is part of a relatively new installation, it could be an electrical problem. Contact a qualified service technician. Have the technician check for loose electrical connections and check the voltage at the pump motor while it is in operation. The voltage must be within 10% of the motor's data plate rating. If the voltage is not within 10%, contact a qualified electrician and/or the local power service provider.</p> <p>Pump seal is leaking air. Have a qualified service technician replace the seal.</p>
The pump is leaking water between the motor and pump body.	<p>This is caused by a damaged or failed mechanical seal. Replace the seal. See <i>Section 6.2, Service Technician Maintenance, 6.2.4, Mechanical Seal Replacement</i>.</p>
The pump gets hot and shuts off periodically.	<p>Ensure that there is adequate room around the motor to circulate air and keep the motor cool. Have a qualified electrician check for loose connections and check the voltage at the pump motor while it is in operation. The voltage must be within 10% of the motor's data plate rating. If the voltage is not within 10%, contact a qualified electrician and/or the local power service provider.</p>

## 6.2 Service Technician Maintenance

### **⚠ WARNING**

This pump must be serviced by a professional service technician, qualified in pool/spa installation. The following procedures must be followed exactly. Improper installation and/or operation can create dangerous electrical hazards, which can cause high voltages to run through the electrical system, possibly causing property damage, serious injury, or death. Improper installation and/or operation will void the warranty.

### 6.2.1 Blocked Impeller

### **⚠ WARNING**

While servicing the pump, switch off the circuit breakers at the power source. Severe personal injury or death may occur if the pump starts while your hand is inside the pump.

1. Turn off the pump. Switch off the circuit breaker to the pump motor.
2. Look inside the pump for any debris. Remove any debris found inside.
3. Switch on the circuit breaker to the pump motor.
4. Turn on the pump, and see if the problem is solved.
5. If the impeller is still blocked with debris and it is not possible to remove the debris, the pump will need to be disassembled in order to access the inlet and outlet of the impeller.

### 6.2.2 Impeller Removal

### **⚠ WARNING**

While servicing the pump, switch off the circuit breakers at the power source. Severe personal injury or death may occur if the pump starts while your hand is inside the pump.

1. Turn off the pump. Switch off the circuit breaker to the pump motor. If you are not replacing the motor, do not disconnect the electrical wiring.

**NOTE** If you are replacing the motor, Zodiac® strongly recommends that a qualified service technician or electrician properly disconnect the electrical wiring at the pump motor.

2. Turn off any valves to prevent pool water from reaching the pump. Drain the water from the pump by loosening the unions or removing the drain plugs.

3. Using a 9/16" wrench, loosen the bolts connecting the pump volute to the motor backplate. See Figure 8.

4. Pull the volute from the backplate. The impeller is connected to the motor shaft.

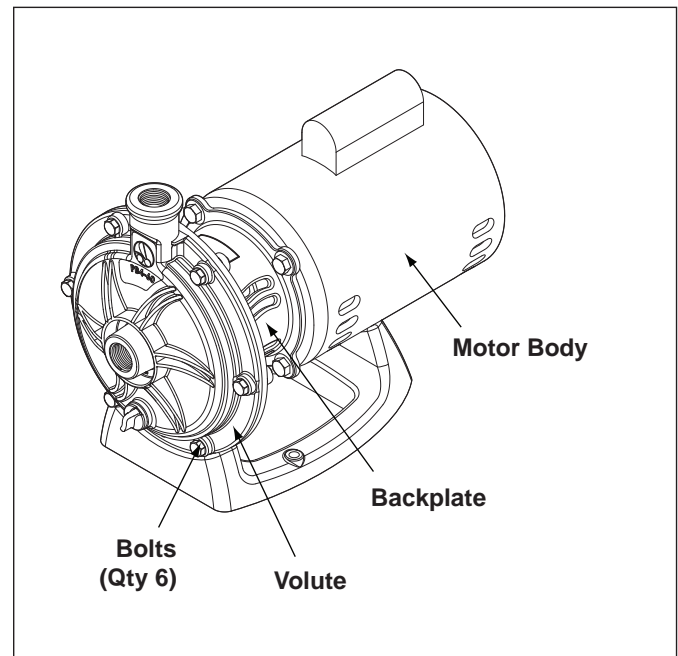
**NOTE** At this point you have access to the inlet and outlet of the impeller to remove any debris.

5. Remove the motor shaft cover on the back of the motor by twisting the hex-head screw with a 90° crescent wrench. See Figure 8. The motor shaft will be exposed.

6. Hold the motor shaft with a 1/2" wrench while unscrewing the impeller from the motor shaft with your hand.

**NOTE** The impeller is a right-handed thread, therefore turn the impeller counter-clockwise to unscrew.

7. Inspect the impeller for signs of rubbing and/or damage.



**Figure 8. Remove the Pump Volute**

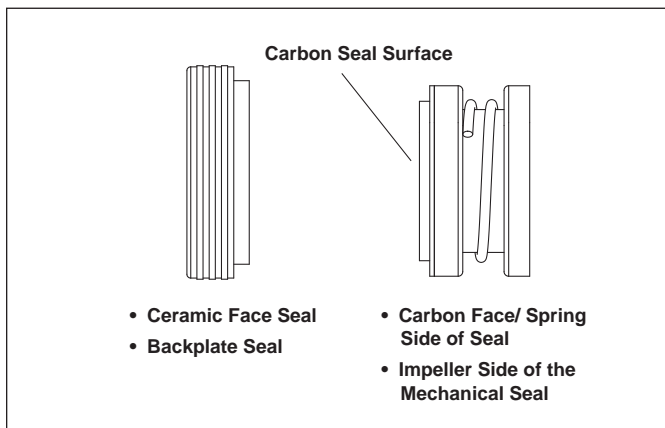


Figure 9. Replace the Mechanical Seal

### 6.2.3 Impeller Replacement

1. Press the new carbon face seal half (see Figure 9) on the motor shaft using a twisting motion. Make sure the carbon surface is facing toward the ceramic ring in the backplate.

## ⚠ CAUTION

**VERY IMPORTANT!** Grasp the lower portion of the seal (opposite the carbon face) when installing the seal, or it will be damaged.

**NOTE** To assist assembly, **only** use water and soap solution as a lubricant. Any other lubricant will destroy the seal after a short period of time.

**NOTE** Exercise great care to keep the seal and mating parts clean.

2. While holding the motor shaft with a ½" wrench, thread the impeller onto the motor shaft. Hand-tighten the impeller until it is secure. **Do not overtighten.**
3. Replace the motor shaft cover by inserting the cover tabs into the slots and rotating the cover 90° clockwise.
4. Install and tighten the screws lightly in a crossing "X" pattern using a 9/16" wrench, starting with the inner (middle) four (4) then the outer (top and bottom) four (4) to draw the backplate to the body in an even manner. Once all the screws are snug, torque in the same order to 18 ft-lbs.
5. Open the pressure release valve on the filter, and make sure it is clean and ready for operation.
6. Switch on the circuit breaker to the pump motor.
7. Turn on the pump and check the system for normal operation.
8. Once all the air has left the filter, close the pressure release valve.

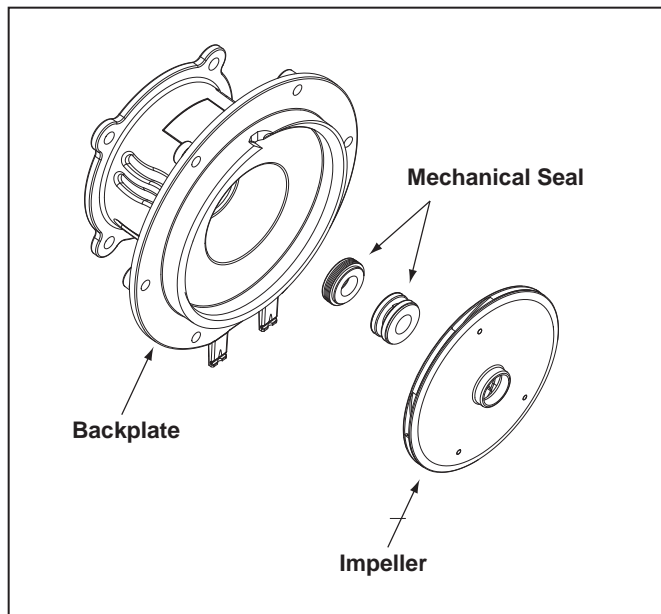


Figure 10. Backplate, Impeller and Mechanical Seal Location

### 6.2.4 Mechanical Seal Replacement

**NOTE** This is a two (2) part replacement process. **The mechanical seal must be replaced as a set.**

**NOTE** Refer to Figure 10 for an illustration of the location of the mechanical seal and impeller.

## ⚠ WARNING

Do not damage the ceramic or carbon surfaces of the seals. If surfaces are damaged, leaks will occur.

1. To access the mechanical seal, follow steps 1 through 6 of *Section 6.2.2, Impeller Removal*.
2. Remove the carbon face seal half from the motor shaft. Refer to Figure 9. This is a spring-loaded seal. Grasp the portion of the seal closest to the impeller body and pull the seal off using a twisting motion.
3. Remove the motor from the backplate following the steps in *Section 6.2.5, Motor Replacement*.
4. Place the backplate o-ring side down and force the ceramic seal out using a screwdriver or drift pin.
5. Turn the backplate o-ring side up and insert the new ceramic seal side into the backplate. Use great care to press the seal in squarely with your fingers. The ceramic is easily damaged and must be pressed in using only your fingers or soft tools. Do not use any lubricant other than water and soap solution.
6. Install the motor following the steps in *Section 6.2.5, Motor Replacement*.
7. Install the backplate following the steps in *Section 6.2.3, Impeller Replacement*.

## 6.2.5 Motor Replacement

### ⚠ CAUTION

To ensure continued safety and reliable operation, Zodiac Pool Systems, Inc. requires that you replace the motor with a motor that has the identical HP rating and service factor (Zodiac Pool Systems, Inc. approved only).

### ⚠ WARNING

To avoid the risk of property damage, severe personal injury, or death, turn off the pump and switch off the circuit breaker to the pump motor before beginning this procedure.

1. Have a qualified service technician or electrician properly disconnect the electrical wiring at the pump motor.
2. To disassemble the pump volute from the motor, follow steps 1 through 6 in *Section 6.2.2, Impeller Removal*.
3. Remove the four (4) 9/16" screws and remove the motor.

**NOTE** Before removing the backplate, note the alignment of the backplate to the motor. Label is facing upward. See Figure 11.

4. If installing a new motor, remove the protective plastic cap from the motor shaft. Place the motor on the backplate. The label should be facing upward. The starting capacitor on the motor should be at the 12 o'clock position.
5. Replace the four (4) bolts and washers holding the backplate to the motor.

6. To reassemble the pump after replacing the motor, follow steps 1 through 9 of *Section 6.2.3, Impeller Replacement*.
7. Have a qualified service technician or electrician properly connect the electrical wiring at the pump motor.

**NOTE** Zodiac Pool Systems, Inc. recommends that the mechanical seals be replaced at the same time the motor is replaced. See *Section 6.2.4, Mechanical Seal Replacement*, for details.

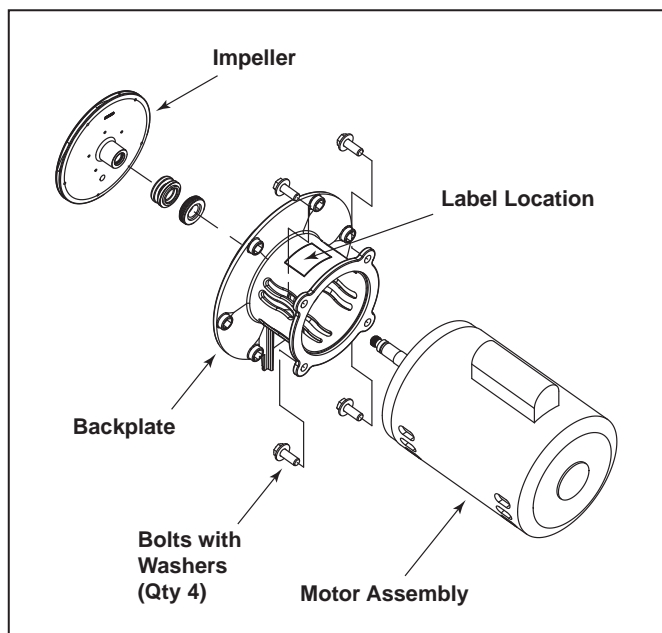


Figure 10. Remove Back Plate

## Section 7. Product Specifications and Technical Data

### 7.1 Replacement Parts List

To order or purchase parts for Polaris pumps, contact your nearest Zodiac® dealer. If they cannot supply you with what you need, contact Zodiac technical support at 800.822.7933 or [www.zodiacpoolsystems.com](http://www.zodiacpoolsystems.com).

Key No.	Description	Qty	Order Part No.	Comments
1	Replacement Motor for Booster Pump	1	P61	
2	O-Ring, Backplate, PB4-60	1	R0536600	
3	Seal, Ceramic and Spring	1	R0445500	
4	Impeller, PB4-60	1	R0536400	
5	Volute, PB4-60	1	R0536300	(Includes Drain Plug with O-Ring)
6	Bolts with Washers and Nuts	6	R0536900	
7	Drain Plug with O-Ring, Common	1	R0537000	
8	Base, Booster, PB4-60	1	R0537100	
9	Bolts and Washers, Stainless, Motor, PB4-60	4	R0536800	
10	Quick Connect Install Kit	1	R0617100	Kit includes 1 ea 6' length of reinforced hose and 4 ea Quick Connect fittings.
11	Quick Connect Fittings	4	R0621000	Comes with 4ea Quick Connect Fittings and Installation Instructions.
12	Pump Hose 6FT Reinforced	1	P19	6' Length
13	Backplate PB4-60	1	R0536700	Includes Seal and Backplate O-ring

### 7.2 Polaris PB4-60 Booster Pump Exploded View

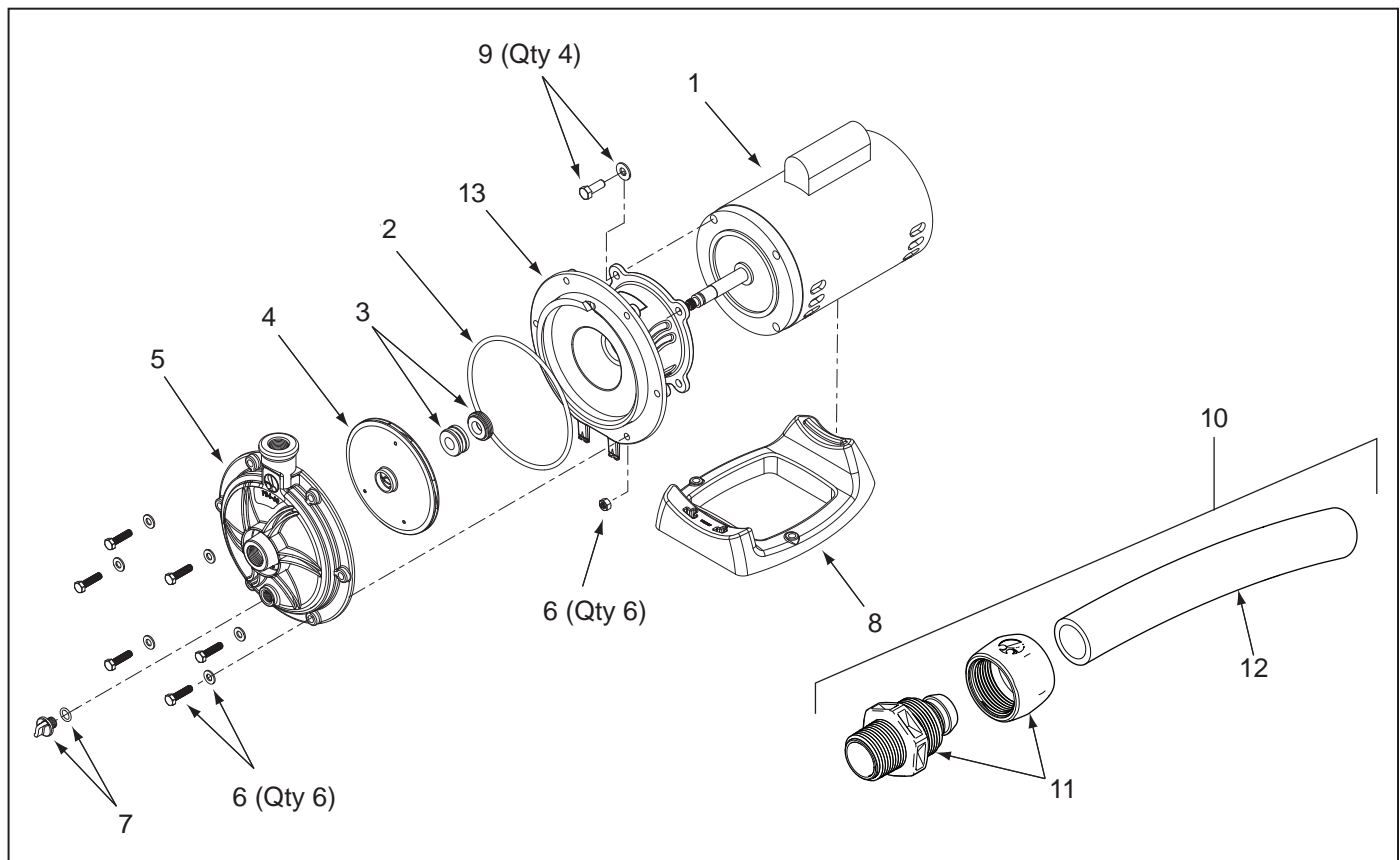


Figure 1. Polaris PB4-60 Booster Pump Exploded View



### 7.3 Pump Dimensions

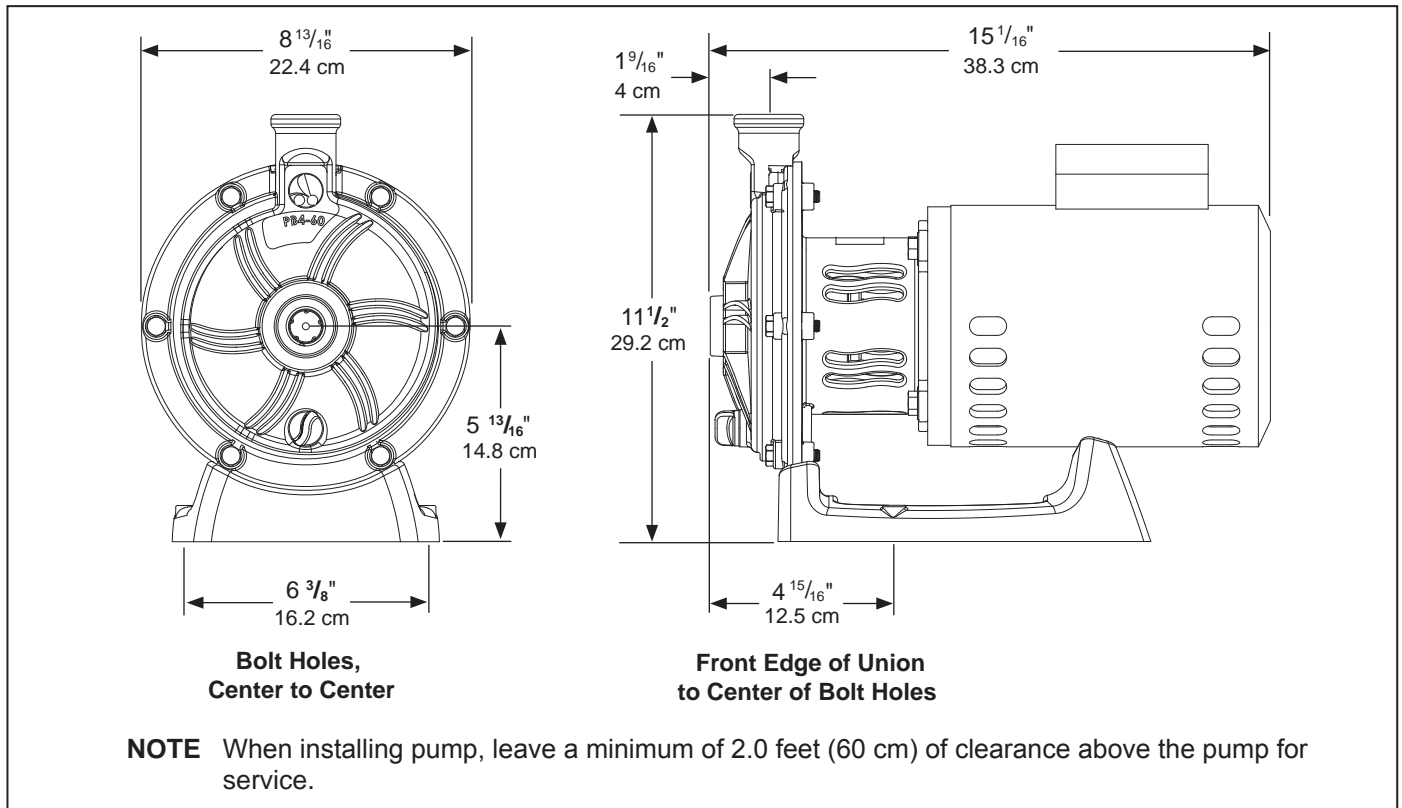


Figure 12. Polaris PB4-60 Booster Pump Dimensions

## 7.4 Visual Identification of the New Polaris PB4-60 Booster Pump



For Polaris PB4-60 Booster Pumps with Serial Numbers beginning with "PB" and a manufacturing date on or after Dec 1, 2011.

Figure 13. New Polaris PB4-60 Booster Pump



Older models of the PB4-60 Booster Pumps discontinued as of Nov 30, 2011.

Figure 14. Discontinued Older Model of PB4-60 Booster Pump

# NOTES

**Zodiac Pool Systems Canada, Inc.**  
2115 South Service Road West, Unit 3  
Oakville, ON L6L 5W2  
1.888.647.4004 | [www.ZodiacPoolSystems.ca](http://www.ZodiacPoolSystems.ca)

**Zodiac Pool Systems, Inc.**  
2620 Commerce Way, Vista, CA 92081  
1.800.822.7933 | [www.ZodiacPoolSystems.com](http://www.ZodiacPoolSystems.com)

*ZODIAC® is a registered trademark of Zodiac International, S.A.S.U., used under license.  
Polaris® and the Polaris 3-wheeled cleaner design are registered trademarks of Zodiac Pool Systems, Inc.  
All trademarks referenced herein are the property of their respective owners.*

©2014 Zodiac Pool Systems, Inc. H0344400 REVD





# Polaris® PB4-60

## Pompe de surpression pour nettoyeur haute pression

## Manuel d'installation et de fonctionnement



Pour les pompes de surpression Polaris PB4-60 dont les numéros de série commencent par « PB », fabriquées le 1er décembre 2011 ou postérieurement.

### AVERTISSEMENT

**POUR VOTRE SÉCURITÉ** – L'installation et l'entretien de ce produit doivent être effectués par un technicien autorisé et qualifié pour la réparation des équipements de piscine par les autorités compétentes du territoire dans lequel ledit produit est installé lorsque de telles exigences locales ou provinciales sont édictées. Si aucune exigence locale, provinciale ou territoriale n'est disponible, l'agent d'entretien doit être un professionnel avec suffisamment d'expérience dans l'installation et la maintenance d'équipement de piscine pour appliquer correctement les consignes du présent manuel. Une installation ou utilisation incorrecte peut causer de dangereux risques électriques pouvant provoquer le passage de courants haute tension dans le système électrique. Avant d'installer ce produit, veuillez lire et suivre toutes les consignes de mise en garde et les instructions incluses avec ce produit. Le non-respect des avertissements et des instructions pourrait causer des dommages matériels, des blessures graves ou même un décès. L'installation ou l'utilisation inappropriée annuleront la garantie.

Si ces consignes ne sont pas suivies à la lettre, un incendie ou une explosion pourrait survenir causant des dommages matériels, des blessures ou un décès.



**À L'ATTENTION DE L'INSTALLATEUR** : Le présent manuel contient des renseignements importants sur l'installation, le fonctionnement et l'utilisation dans risque de ce produit. Ces renseignements doivent être donnés au propriétaire ou à l'utilisateur de cet appareil.

## Table des matières

<b>Section 1. Consignes de sécurité importantes .....</b>	<b>23</b>	<b>Section 4. Fonctionnement .....</b>	<b>30</b>
1.1 Consignes de sécurité .....	23	4.1 Démarrage .....	30
1.2 Normes de prévention du piégeage par aspiration de la pompe de piscine .....	25	<b>Section 5. Entretien .....</b>	<b>31</b>
<b>Section 2. Description générale .....</b>	<b>26</b>	5.1 Hivernage de la pompe .....	31
2.1 Introduction .....	26	<b>Section 6. Dépannage et réparation .....</b>	<b>32</b>
2.2 Description .....	26	6.1 Dépannage .....	32
2.3 Préparation .....	26	6.2 Maintenance par un technicien en entretien et en réparation .....	33
<b>Section 3. Installation .....</b>	<b>26</b>	6.2.1 Turbine bloquée .....	33
3.1 Installation électrique .....	26	6.2.2 Retrait de la turbine .....	33
3.1.1 Vérifications de la tension .....	26	6.2.3 Remplacement de la turbine .....	34
3.1.2 Connexion et mise à la terre .....	26	6.2.4 Remplacement de la garniture mécanique .....	34
3.2 Électrique .....	26	6.2.5 Remplacement du moteur .....	35
3.2.1 Câblage électrique .....	26	<b>Section 7. Caractéristiques du produit et données techniques .....</b>	<b>36</b>
3.3 Plomberie .....	27	7.1 Liste des pièces de rechange .....	36
3.3.1 Exigences .....	27	7.2 Vue éclatée de la pompe de surpression Polaris PB4-60 .....	36
3.3.2 Dimensions des tuyaux .....	28	7.3 Dimensions des pompes .....	37
3.3.3 Emplacement de la pompe .....	28	7.4 Identification visuelle de la nouvelle pompe de surpression Polaris PB4-60 .....	38
3.3.4 Installer la pompe .....	29		
3.3.5 Recommandations relatives à l'installation .....	29		
3.3.6 Vérifier le débit d'eau .....	29		
3.3.7 Effectuer des tests de pression .....	30		

### FICHE DE RENSEIGNEMENTS SUR L'ÉQUIPEMENT

DATE D'INSTALLATION \_\_\_\_\_

INFORMATION SUR L'INSTALLATEUR \_\_\_\_\_

LECTURE INITIALE DU MANOMÈTRE (AVEC FILTRE PROPRE) \_\_\_\_\_

MODÈLE DE POMPE \_\_\_\_\_ CHEVAUX \_\_\_\_\_

REMARQUES : \_\_\_\_\_

\_\_\_\_\_

\_\_\_\_\_

## Section 1. Consignes de sécurité importantes

### LIRE ET SUIVRE TOUTES LES CONSIGNES

#### 1.1 Consignes de sécurité

Tous les travaux d'électricité doivent être accomplis par un électricien agréé et doivent se conformer aux normes fédérales, provinciales et locales. Au moment de l'installation et de l'utilisation de cet équipement électrique, des précautions de base doivent toujours être suivies, entre autres :

#### AVERTISSEMENT

Pour réduire le risque de blessure, ne pas permettre aux enfants d'utiliser ce produit.

#### AVERTISSEMENT

Afin de réduire le risque de dommages matériels ou de blessures, ne pas essayer de changer la position du robinet de lavage à contre-courant (multivoies, de glissement ou de passage intégral) pendant le fonctionnement de la pompe.

#### AVERTISSEMENT

Les pompes Zodiac® fonctionnent à l'aide d'un moteur électrique haute tension et doivent être installées par un électricien agréé ou licencié, ou un technicien en entretien et en réparation de piscines qualifié.

#### AVERTISSEMENT

**RISQUE DE CHOC ÉLECTRIQUE, D'INCENDIE, DE BLESSURES OU DE MORT.** Brancher seulement à un circuit qui est protégé par un disjoncteur de fuite à la terre. En cas de doute, consulter un électricien certifié. S'assurer qu'un tel disjoncteur est fourni par l'installateur et fait l'objet d'essais régulièrement. Pour tester le disjoncteur de fuite à la terre, appuyer sur le bouton de test. Le disjoncteur de fuite à la terre doit couper l'alimentation électrique. Appuyer sur le bouton de réinitialisation. L'alimentation électrique devrait être restaurée. Si le disjoncteur de fuite à la terre ne fonctionne pas de cette façon, c'est qu'il est défectueux. Si le disjoncteur de fuite à la terre coupe l'alimentation à la pompe sans que le bouton de test soit enfoncé, il y a alors circulation de courant à la terre, ce qui indique la possibilité de choc électrique. Ne pas utiliser la pompe. Débrancher la pompe et s'assurer que le problème soit résolu par un représentant d'entretien et de réparation qualifié avant de l'utiliser.

En raison du risque potentiel d'incendie, de choc électrique ou de blessures corporelles, les pompes Zodiac doivent être installées conformément au Code national d'électricité (NEC®), à tous les codes locaux d'électricité et de sécurité et à la Loi sur la santé et la sécurité au travail (LSST). Vous pouvez obtenir des exemplaires du Code national d'électricité (NEC) de la National Fire Protection Association® (NFPA®) en ligne à [www.nfpa.org](http://www.nfpa.org) ou en composant le 617 770-3000 ou en contactant votre organisme d'inspection gouvernemental local.

#### AVERTISSEMENT

Un équipement mal installé peut être défaillant et causer des blessures graves ou des dommages matériels.

#### AVERTISSEMENT

- Ne pas raccorder le système à un réseau urbain de distribution d'eau non règlementé ou à une autre source externe d'eau sous pression générant des pressions supérieures à 2,4 bars (35 psi).
- L'air emprisonné dans le système peut provoquer l'ouverture par soufflage du couvercle du filtre et entraîner la mort, de graves blessures corporelles ou des dommages matériels. Avant d'utiliser le système, s'assurer que tout l'air soit bien expulsé.

## AVERTISSEMENT

Afin de réduire les risques de blessures graves ou même la mort, le filtre et/ou la pompe ne devraient pas être soumis à l'essai de pressurisation de la tuyauterie.

Les codes locaux peuvent exiger l'application d'un essai de pressurisation sur la tuyauterie de la piscine. Ces exigences ne s'appliquent généralement pas à l'équipement de piscine, tel que les filtres ou les pompes.

L'équipement de piscine Zodiac® a fait l'objet d'essais de pressurisation en usine.

Si toutefois l'AVERTISSEMENT ne peut être respecté et que l'essai de pressurisation de la tuyauterie doit aussi inclure le filtre ou la pompe, S'ASSURER DE SE CONFORMER AUX CONSIGNES DE SÉCURITÉ SUIVANTES :

- Vérifier que l'ensemble des brides, boulons, couvercles, bagues de retenue et accessoires du système sont correctement installés et fixés solidement avant d'effectuer un test.
- ÉVACUER TOUT L'AIR dans le circuit avant les essais.
- La pression d'eau pour l'essai ne doit PAS DÉPASSER 35 LB/PO<sup>2</sup> (241 kPa).
- La température de l'eau pour l'essai NE DOIT PAS DÉPASSER 100 °F (38 °C).
- Limiter l'essai à 24 heures. Après l'essai, vérifier visuellement le système pour s'assurer qu'il est prêt à fonctionner.

Avis : ces paramètres s'appliquent uniquement à l'équipement Zodiac. Pour l'équipement non fabriqué par Zodiac, consulter le fabricant.

## AVERTISSEMENT

Des déversements et vapeurs chimiques peuvent affaiblir l'équipement de la piscine ou du spa. La corrosion peut causer la défaillance des filtres et autre équipement, ce qui peut entraîner des blessures graves ou des dommages matériels. Ne pas entreposer de produits chimiques de piscine près de votre équipement.

## ATTENTION

Ne pas démarrer votre pompe à sec! Faire fonctionner la pompe à sec pendant une durée quelconque causera des dommages importants et annulera la garantie.

## ATTENTION

Cette pompe doit être utilisée avec des piscines installées de manière permanente et, si cela est également mentionné, avec des cuves thermales et des spas. Ne pas utiliser avec des piscines remisables. Une piscine installée de manière permanente est construite dans le sol ou sur le sol ou dans un édifice de sorte qu'elle ne peut pas être facilement démontée aux fins de remisage. Une piscine remisable est construite pour être facilement démontée aux fins d'entreposage, puis réassemblée à son état initial.

## ATTENTION

Ne pas installer dans une enceinte extérieure ou sous les bords d'une cuve thermique ou d'un spa portatif. La pompe nécessite une ventilation adéquate afin de maintenir la température de l'air inférieure à la température ambiante maximale indiquée sur la plaque signalétique du moteur.

**CONSERVER CES DIRECTIVES**



## 1.2 Normes de prévention du piégeage par aspiration de la pompe de piscine.

### ⚠ AVERTISSEMENT

L'aspiration de la pompe est dangereuse et peut piéger, noyer ou éviscérer les baigneurs. Ne pas utiliser ni faire fonctionner de piscines, spas ou cuves thermales si un couvercle de sortie d'aspiration est manquant, brisé ou instable. Les directives suivantes fournissent l'information d'installation de la pompe afin de minimiser le plus possible les risques de blessure aux utilisateurs de piscines, de spas et de cuves thermales :

**Protection contre le piégeage** — Le système d'aspiration de la pompe doit fournir une protection contre les dangers de piégeage par aspiration.

**Couvercles de sorties d'aspiration** — Toutes les sorties d'aspiration doivent être correctement installées, et les couvercles bien vissés en place. Tous les couvercles de sortie d'aspiration (tuyau d'écoulement) doivent être entretenus. Les couvercles de drain doivent être listés/certifiés dans la dernière version ANSI/ASME A112.19.8 ou la norme remplaçante, ANSI/APSP-16. Ils doivent être remplacés si ils sont fendus, cassés ou manquants.

**Nombre de sorties d'aspiration par pompe** — Fournir au moins deux (2) drains de fond hydrauliquement équilibrés, avec couvercles, en guise de sorties d'aspiration pour chaque conduite d'aspiration de pompe de circulation. Les centres des drains de fond (sorties d'aspiration) sur toute conduite d'aspiration doivent être éloignés d'au moins un (1) mètre (3 pi) l'un de l'autre, entr'axe. Voir la Figure 1.

Le système doit être conçu pour comprendre au moins deux sorties d'aspiration (drains) connectées à la pompe chaque fois que la pompe fonctionne. Cependant, si deux (2) drains de fond aboutissent à une seule conduite d'aspiration, cette dernière peut être équipée d'un robinet qui coupera les deux drains de fond de la pompe. Le système doit être conçu de manière à ne pas permettre une fermeture ou un isolement distinct ou indépendant de chaque drain. Voir la Figure 1.

Plus d'une (1) pompe peut être raccordée à une seule conduite d'aspiration aussi longtemps que les exigences susmentionnées soient respectées.

**Vitesse maximale de l'eau** — La vitesse maximale de l'eau à travers le raccord d'aspiration ou le couvercle de toute prise d'aspiration doit être de 45 cm/s (1,5 pi/s), à moins que la sortie ne soit conforme à la dernière version ANSI/ASME A112.19.8 publiée ou la norme remplaçante, ANSI/APSP-16, la norme pour les raccords d'aspiration à utiliser dans les piscines, pataugeoires, spas et cuves thermales. Dans tous les cas, ne pas dépasser les débits maximaux conçus pour les raccords d'aspiration.

Si 100 % du débit de la pompe provient du système principal de canalisation d'évacuation, la vitesse maximale de l'eau dans le système hydraulique de la pompe d'aspiration doit être de 1,8 m/s (6 pi/s) ou moins, même lorsqu'un (1) drain de fond (sortie d'aspiration) est complètement bloqué. Le débit à travers les autres drains de fond doit être conforme à la dernière version ANSI/ASME A112.19.8 publiée ou la norme remplaçante, ANSI/APSP-16, la norme pour les raccords d'aspiration à utiliser dans les piscines, pataugeoires, spas et cuves thermales.

**Essais et certification** - Les couvercles de la prise d'aspiration doivent avoir fait l'objet d'essais de la part d'un laboratoire reconnu à l'échelle nationale et jugés conformes à la dernière version ANSI/ASME A112.19.8 publiée ou la norme remplaçante, ANSI/APSP-16, la norme pour les raccords d'aspiration à utiliser dans les piscines, les pataugeoires, les spas et les cuves thermales.

**Raccords** — Les raccords limitent le débit, pour une plus grande efficacité, utiliser le moins de raccords possibles (mais au moins deux (2) sorties d'aspiration).

Éviter les raccords qui pourraient causer l'emprisonnement de l'air.

Les raccords d'aspiration du nettoyeur à piscine doivent être conformes aux normes de l'International Association of Plumbing & Mechanical Officials (IAPMO).

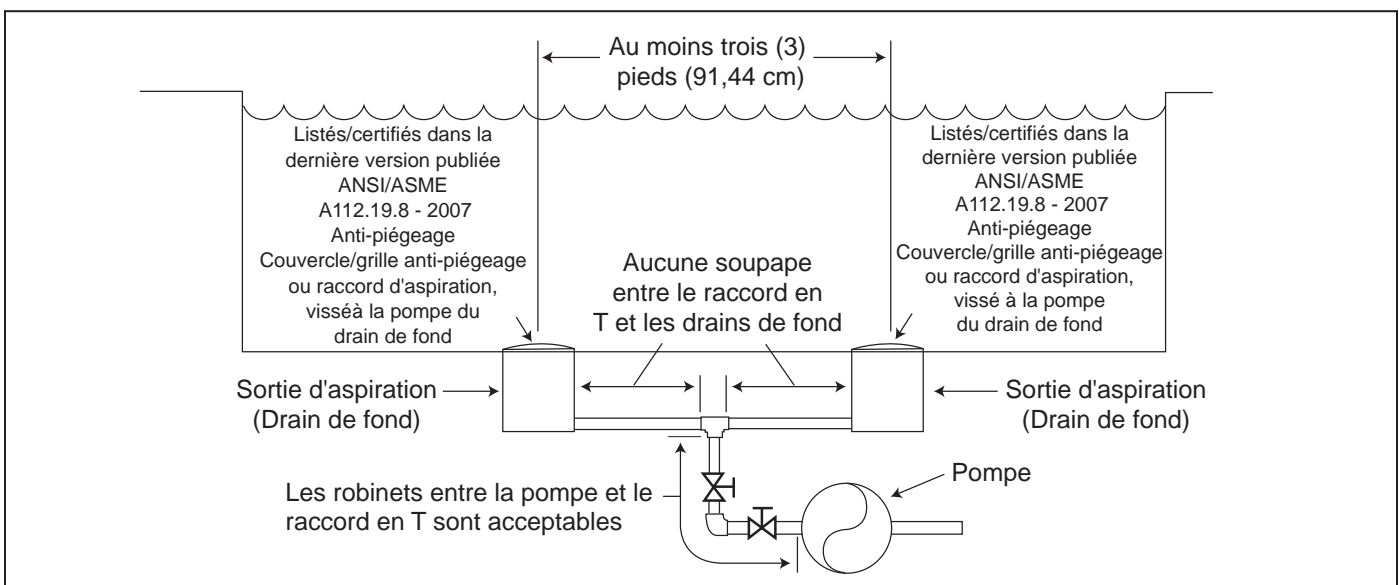


Figure 1. Nombre de sorties d'aspiration par pompe

## Section 2. Description générale

### 2.1 Introduction

Ce manuel comprend des informations nécessaires à l'installation, le fonctionnement et l'entretien adéquats de la pompe Polaris PB4-60. Les procédures de ce manuel doivent être scrupuleusement suivies. Pour obtenir des copies supplémentaires de ce manuel, communiquer avec Zodiac Pool Systems, Inc. (« Zodiac ») au 1 800 822-7933. Pour les coordonnées, voir au verso du présent manuel.

### 2.2 Description

La pompe de surpression Polaris PB4-60 alimente en eau haute pression le nettoyeur à piscine Polaris afin de maximiser le rendement du nettoyeur. La pompe n'a pas de pouvoir d'aspiration et doit seulement être utilisée lorsque la pompe de filtration est activée.

#### ⚠ ATTENTION

L'utilisation de la pompe de surpression sans la pompe de filtrage endommagera la pompe de surpression. Une utilisation incorrecte de la pompe de surpression annulerait la garantie.

### 2.3 Préparation

- Dès réception de la pompe, vérifier que la boîte d'expédition n'est pas endommagée. Ouvrir la boîte et vérifier que la pompe ne cache aucun dommage comme des fissures, des bosses et que la base n'a pas été pliée. S'il y a des dommages, contacter l'expéditeur ou le concessionnaire chez qui la pompe a été acheté.
- Inspecter le contenu de la boîte et vérifier que toutes les pièces s'y trouvent. Voir section 7.1, Liste des pièces de rechange.

## Section 3. Installation

### 3.1 Installation électrique

#### 3.1.1 Vérifications de la tension

La tension adéquate, telle qu'elle est spécifiée sur la plaque d'identification de la pompe, est nécessaire pour une bonne performance et une longue durée de vie du moteur. Une tension inappropriée diminuera le rendement de la pompe et pourrait causer une surchauffe, réduire la durée de vie du moteur et entraîner une augmentation de la facture d'électricité.

Il est de la responsabilité de l'installateur de fournir la tension fonctionnelle de la pompe figurant sur la plaque d'identification en s'assurant que les bonnes dimensions de circuit et de câble soient utilisées pour cet usage spécifique.

Le Code national de l'électricité (NEC®, NFPA-70) exige que tous les circuits de la pompe d'une piscine soit protégés par un disjoncteur de fuite à la terre. Par conséquent, il est également de la responsabilité de l'installateur électrique de s'assurer que le circuit de la pompe soit conforme aux présentes exigences et à toute autre exigence applicable du Code national de l'électricité (NEC) et à tout autre code d'installation applicable.

#### ⚠ ATTENTION

L'omission de fournir la tension (à 10 % près) figurant sur la plaque d'identification au cours du fonctionnement causera la surchauffe du moteur et annulera la garantie.

#### 3.1.2 Connexion et mise à la terre

- Le châssis du moteur doit être mis à la terre à l'aide d'un conducteur solide en cuivre no 8 (8,4 mm<sup>2</sup>) AWG ou plus grand. Au Canada, le no 6 (13,3 mm<sup>2</sup>) AWG ou plus grand doit être utilisé. Si la pompe est installée à moins de cinq (5) pieds (1,5 m) des parois intérieures de la piscine, du spa ou du jacuzzi, le châssis du moteur doit être raccordé à toutes les parties métalliques de la piscine, du spa ou du jacuzzi et de tous les équipements électriques, les conduits métalliques, les canalisations métalliques et à moins de cinq (5) pieds (1,5 m) des parois intérieures de la piscine, du spa ou du jacuzzi.
- Faire le raccordement de mise à la terre du moteur à l'aide de la cosse externe fournie.

#### ⚠ AVERTISSEMENT

Pour éviter le risque des dommages matériels, des blessures graves et/ou de mort, déconnecter toujours la source d'alimentation avant de travailler sur un moteur ou sur sa charge branchée.

#### ⚠ AVERTISSEMENT

Pour éviter le risque des dommages matériels, des blessures graves ou de mort, s'assurer que l'interrupteur de commande, ou l'horodateur, est installé à un endroit accessible afin que, dans l'éventualité d'une défaillance d'équipement ou d'un raccord de plomberie lâche, l'équipement puisse être mis hors tension. Cet endroit ne doit pas être dans la même zone que la pompe de piscine, le filtre et autre équipement.

#### ⚠ ATTENTION

Cette pompe doit être connectée en permanence à un circuit électrique dédié. Aucun autre équipement, lumière, appareil ou prise de courant ne peut être connecté au circuit de la pompe à l'exception des dispositifs qui peuvent devoir fonctionner en même temps que la pompe tel qu'un chlorateur ou un appareil de chauffage.

### 3.2 Électrique

#### Puissance du moteur

HP	S.F	RPM	VOLTS	S.F. AMPS
3/4	1.5	3450	230/115, 60Hz, 1PH	6.4/12.8

#### 3.2.1 Câblage électrique

- Le moteur de la pompe doit être mis à la terre de manière sécurisée et adéquate en utilisant le tournevis vert fourni. Mettre à la terre avant d'essayer de connecter à une source d'alimentation électrique. **Ne pas mettre à la terre à un tuyau d'alimentation en gaz.**
- La dimension du câble doit être appropriée afin de réduire la chute de tension pendant le démarrage et le

Tableau 1. Taille maximale des câbles et protection maximale de surintensité

CÂBLAGE DE DIMENSION MAXIMALE ET PROTECTION MAXIMALE CONTRE LES SURINTENSITÉS*								
Distance du sous-panneau		0 à 50 pieds (15 mètres)		50 à 100 pieds (15 à 30 mètres)		100 à 200 pieds (30 à 60 mètres)		
Modèle de la pompe	Amplificateurs de fusibles de ligne classe : CC, G, H, J, K, RK, ou T		TENSION		TENSION		TENSION	
	230 VCA	115 VCA	208 à 230 VCA	115 VCA	208 à 230 VCA	115 VCA	208 à 230 VCA	115 VCA
PB4-60	15A	20A	14 AWG (2,1mm <sup>2</sup> )	12 AWG (3,3mm <sup>2</sup> )	12 AWG (3,3mm <sup>2</sup> )	10 AWG (5,3mm <sup>2</sup> )	10 AWG (5,3mm <sup>2</sup> )	10 AWG (5,3mm <sup>2</sup> )

\*Suppose trois (3) conducteurs en cuivre dans un conduit enterré et une perte maximale de tension de 3 % dans le circuit branché. Le Code électrique national (NEC) et les codes locaux doivent être respectés. Le tableau présente les recommandations de tailles minimales de câbles et de fusibles de dérivation pour une installation typique selon le NEC.

fonctionnement de la pompe. Voir le Tableau 1 pour des tailles de câbles.

- Isoler soigneusement toutes les connexions afin d'empêcher la mise à la terre ou un court-circuit. Les extrémités tranchantes des bornes nécessitent une protection supplémentaire. Pour empêcher que les serre-fils ne se desserrent, les isoler à l'aide du ruban isolant électrique approprié et homologué (UL®, ETL®, CSA®). Pour des raisons de sécurité et pour empêcher la pénétration de contaminants, replacer tous les couvercles de boîtes de dérivation et de connexions. **Ne pas forcer les connexions à la boîte de dérivation.**
- Pour configurer le câblage interne du moteur de la pompe à la tension appropriée, se référer au diagramme sur la plaque d'identification du moteur.
- L'intensité du courant au démarrage du moteur de la pompe de surpression peut dépasser 15 ampères avec une tension de 115 VCA. Il est recommandé d'utiliser un disjoncteur de 20 ampères avec la pompe raccordée à la source d'alimentation de 115 VCA.
- Le moteur de la pompe à surpression est précablé en usine pour une tension de 230 volts, mais il peut être câblé pour 115 ou 230 volts. Pour recâbler à 115 volts, suivre les instructions sur la plaque signalétique située au dos du moteur ou sur la plaque de calibrage située sur le côté du moteur.
- Il est recommandé d'utiliser une horloge séparée (en plus de l'horloge du système de filtration) afin de contrôler les fonctions de démarrage et d'arrêt de la pompe de surpression. Il est aussi possible d'utiliser un interrupteur manuel.
- Si une horloge est utilisée, la régler afin de démarrer la pompe au moins 30 minutes avant la mise en marche de

la pompe de filtration, et arrêter la pompe au moins 30 minutes avant l'arrêt de la pompe de filtration. Vérifier périodiquement les réglages des horloges afin de s'assurer qu'elles sont bien synchronisées.

### 3.3 Plomberie

#### ⚠ ATTENTION

S'assurer de ne pas trop serrer les raccords des tuyaux de l'entrée ou de la sortie de la pompe de surpression. Un serrage trop fort pourrait fissurer le boîtier.

#### 3.3.1 Exigences

La pompe de surpression Polaris requiert une conduite de retour spéciale. Raccorder la pompe de surpression au système afin qu'elle reçoive le débit de la pompe de filtration.

Pour s'assurer du bon fonctionnement de la pompe et du nettoyeur, consulter la Figure 2 et respecter les lignes directrices suivantes concernant les équipements spécifiques.

- Raccorder la conduite dédiée en amont de tous les équipements qui aspirent l'air.
- Si un réchauffeur est installé sur le système, installer l'entrée pour la pompe de surpression dans la conduite de retour en amont et à au moins trois (3) pieds (1 mètre) du débit du réchauffeur. Voir la Figure 2. **Ne pas installer l'entrée de la pompe de surpression sur la section du tuyau du dissipateur de chaleur qui sort directement du réchauffeur.**
- Certains systèmes de chauffage solaires utilisent tout le débit d'eau lorsque les panneaux sont purgés d'air. Si la

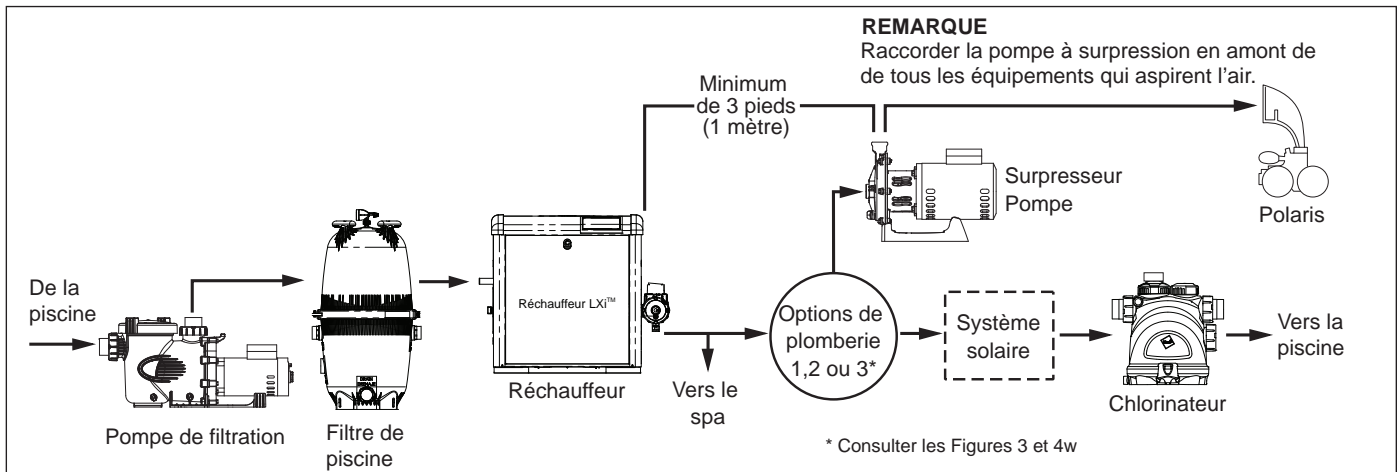


Figure 2. Disposition typique des équipements

pompe est installée sur un tuyau qui ne reçoit pas de débit pendant les purges des panneaux solaires, installer un système automatique de réglage pour arrêter la pompe.

4. Installer l'entrée de la pompe de surpression plus loin en amont et aussi loin que possible du chlorateur.

### 3.3.2 Dimensions des tuyaux

1. Il est recommandé d'utiliser un tuyau en PVC rigide d'un diamètre minimum de ¾ po, 1 1/2 po pour la conduite de retour dédiée. Il n'est pas recommandé d'utiliser des tuyaux en PVC flexibles pour la conduite de retour à la piscine mise sous terre, car ils peuvent être endommagés par l'expansion et le mouvement causés par la montée de la pression de la pompe. Consulter les Figures 3 et 4.
2. La conduite du raccordement de l'entrée de la pompe de surpression doit consister en un tuyau d'au moins ¾ po. **Le Softube Quick Connect installations sont conçu uniquement pour le tuyau renforcé Polaris (pièce no P19).**
3. Ne pas raccorder à la partie supérieure d'une conduite horizontale.
4. Utiliser des raccords en L afin de minimiser les coudes et les boucles sur le tuyau renforcé Polaris.

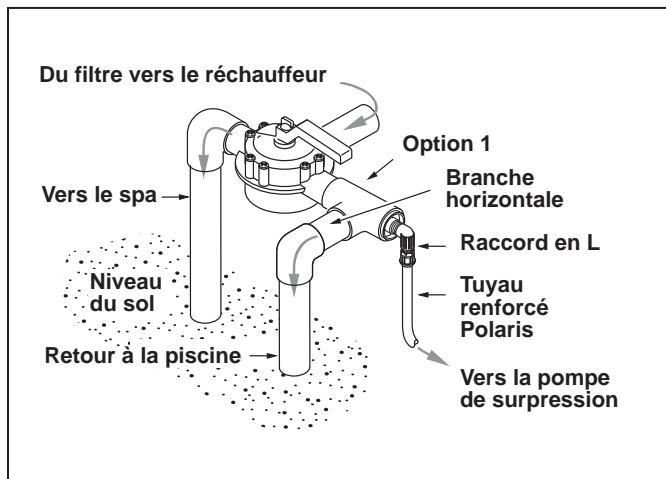


Figure 4. Configuration de la tuyauterie recommandée

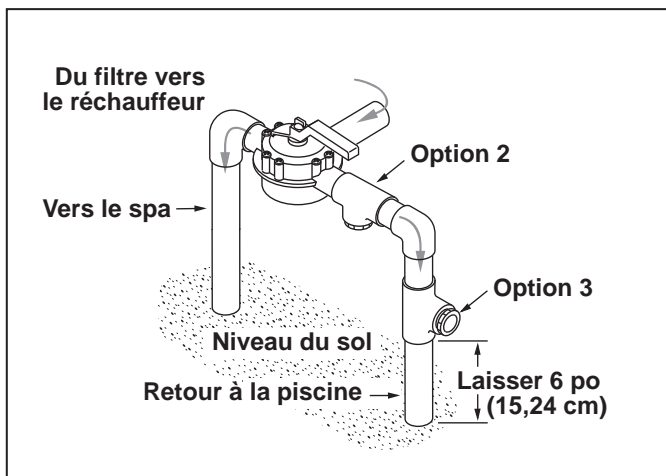


Figure 4. Configuration de la tuyauterie alternative

### 3.3.3 Emplacement de la pompe

1. Zodiac Pool Systems, Inc. recommande d'installer la pompe à un (1) pied (30 cm) au-dessus du niveau d'eau. La pompe ne devrait pas être élevée de plus d'un mètre au-dessus de la surface de l'eau de la piscine.
2. Si la pompe est située sous le niveau de l'eau, les clapets d'isolement doivent être installés à la fois dans les conduites d'aspiration et de retour afin d'empêcher le retour d'eau de la piscine pendant tout entretien requis ou de routine.

## ⚠ AVERTISSEMENT

Certains systèmes de sécurité contre le pompage à vide dispositifs (SVRS) ne sont pas compatibles avec des installations de clapets antiretour. Si la piscine comporte un dispositif de sécurité par déclenchement sous vide (SVRS), ne pas oublier de confirmer qu'il continuera à fonctionner en toute sécurité lorsqu'un clapet antiretour sera installé.

3. La pompe et les autres équipements de circulation doivent être situés à plus de 1,5 m (5 pi) de l'eau. Choisir un emplacement qui réduira les coudes dans la tuyauterie.

**REMARQUE** Au Canada, la pompe doit être située à au moins 3,0 m [environ 10 pi] de l'eau (norme CSA C22.1).

4. La pompe doit être placée sur une base solide qui ne vibrera pas. Afin de réduire davantage la possibilité de bruit de vibration, verrouiller la pompe à la base.

**REMARQUE** Zodiac® recommande de boulonner la pompe directement à la base.

5. La base de la pompe doit être bien drainée afin d'éviter que le moteur ne se mouille. La pompe doit être protégée de la pluie et du soleil.
6. Une ventilation adéquate est requise pour que la pompe fonctionne normalement. Tous les moteurs dégagent de la chaleur, laquelle doit être évacuée à l'aide d'une bonne ventilation.
7. Fournir un accès pour l'entretien futur en laissant une aire dégagée autour de la pompe. Laisser suffisamment d'espace au-dessus de la pompe pour l'entretien.
8. Si l'équipement est recouvert, prévoir un éclairage adéquat.

### 3.3.4 Installer la pompe

1. Installer la pompe en utilisant deux (2) chevilles d'expansion en béton pour assurer la stabilité.
2. Appliquer quatre (4) à six (6) tours de ruban Teflon® au filetage conique du raccord cannelé. Voir figure 5 (a).

## ⚠ AVERTISSEMENT

Ne JAMAIS utiliser de pâte à joint sur les filetages cannelés. La pâte à joint aura pour effet de fortement fragiliser le plastique, entraînant des fuites. NE SERREZ PAS TROP.

3. Visser et serrer le filetage conique du raccord cannelé dans le port de la pompe du corps de pompe. Voir figure 5 (b).
4. Couper le tuyau renforcé à la longueur souhaitée. S'assurer que la coupure est franche et droite. Éviter des coudes ou des courbures inutiles dans le tuyau.
5. Glisser l'écrou de raccord sur l'extrémité coupée du tuyau avec l'extrémité filetée orientée vers l'extrémité coupée du tuyau. Voir figure 5 (c).
6. Mouiller le raccord cannelé pour permettre au tuyau de glisser sur les cannelures. Appuyer le bord coupé du tuyau de sorte à recouvrir complètement le raccord cannelé. Voir figure 5 (d).
7. Glisser/faire tourner l'écrou de raccord sur le raccord cannelé de sorte à engager le filetage correctement; ne pas passer le filetage de l'écrou de raccord. Serrer l'écrou jusqu'à ce que les filetages ne soient plus visibles (espace d'environ 1/8 po ou à peine moins que l'épaisseur de deux pièces de 10 cents), ou jusqu'à ce qu'il touche la face du raccord. Voir la Figure 6.

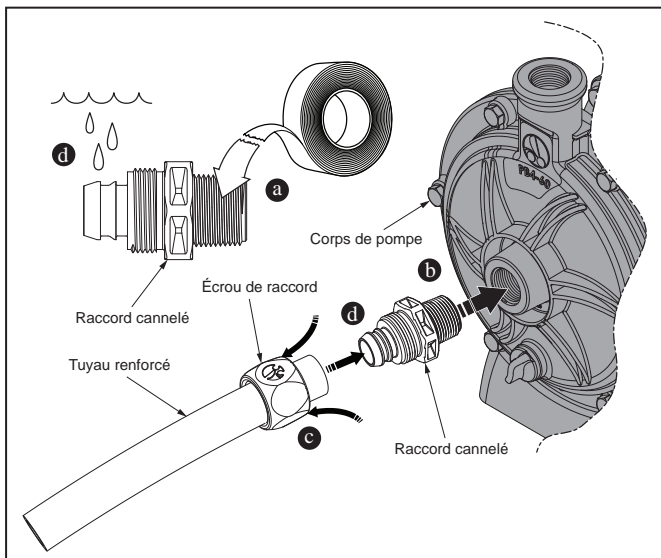


Figure 5. Préparation et installation du raccord cannelé Quick Connect et écrou de raccord

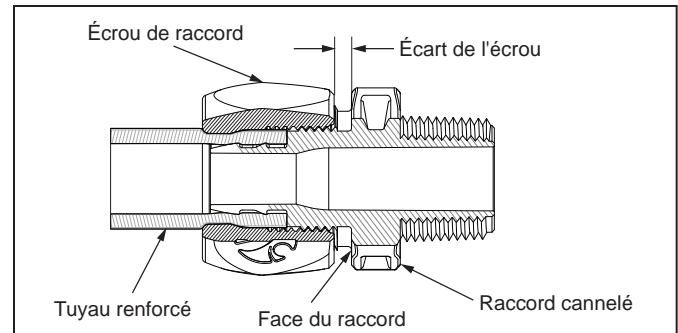


Figure 6. Serrer l'écrou de raccord afin de fixer le tuyau

### 3.3.5 Recommandations relatives à l'installation.

1. Si la pompe est située sous le niveau de l'eau, les clapets d'isolement doivent être installés sur les deux côtés de la pompe pour empêcher le retour d'eau pendant tout entretien requis ou de routine.
2. Pour réduire les difficultés d'amorçage, installer le tuyau d'aspiration sans points hauts (au-dessus de l'orifice d'entrée de la pompe – « U » inversé en plomberie), lesquels peuvent emprisonner l'air.
3. La tuyauterie doit être bien soutenue et non comprimée là où des pressions constantes seront exercées.
4. Toujours utiliser des robinets bien calibrés. Les inverseurs Jandy® Pro Series et les clapets à billes offrent un meilleur débit.
5. Utiliser le moins de raccords possibles. Chaque raccord ajouté a pour effet d'éloigner davantage l'équipement de l'eau.

**REMARQUE** Si plus de dix (10) raccords d'aspiration sont nécessaires, le diamètre de tuyau doit être augmenté.

### 3.3.6 Vérifier le débit d'eau

**REMARQUE** La pression de sortie de la pompe doit être d'au moins 45 psi. Une pression plus basse peut causer la surintensité du moteur.

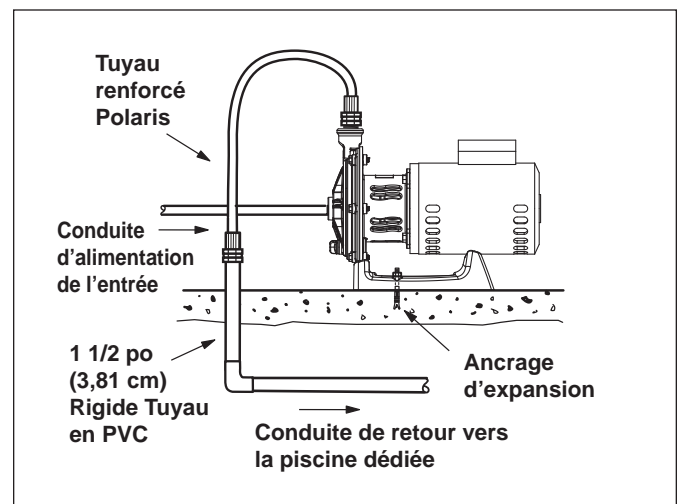


Figure 7. Compléter l'installation

Après avoir raccordé la plomberie du système, vérifier le débit d'eau vers la pompe de surpression en déconnectant la conduite d'alimentation de la pompe de surpression et en activant la pompe de filtration. L'eau devrait s'écouler de la conduite.

S'il n'y a pas de débit d'eau, vérifier ce qui suit :

1. Vérifier que l'installation est correcte. Se référer à la Figure 6.
2. Utiliser les raccords orientables plus petits dans les conduites de retour de la piscine ou raccorder une conduite de retour.

Lorsque le débit est présent, la pompe est prête à fonctionner.

### 3.3.7 Effectuer des tests de pression

#### AVERTISSEMENT

Lors de l'essai de pression d'un système à l'eau, de l'air est souvent piégé dans le système pendant le processus de remplissage. Cet air se comprime quand le système est sous pression. Si le système s'avère défaillant, cet air piégé peut propulser des débris à haute vitesse et causer des blessures. Aucun effort ne doit être ménagé pour enlever l'air piégé, y compris l'ouverture du robinet de purge du filtre et le desserrage du couvercle du panier-filtre de la pompe de filtration pendant le remplissage de la pompe.

#### AVERTISSEMENT

L'air emprisonné dans le système peut provoquer l'ouverture par soufflage du couvercle du filtre et entraîner la mort, de graves blessures corporelles ou des dommages matériels. Avant d'utiliser le système, s'assurer que tout l'air soit bien expulsé. **NE PAS UTILISER DE L'AIR COMPRIMÉ POUR FAIRE L'ESSAI DE PRESSION OU VÉRIFIER S'IL Y A DES FUITES.**

#### AVERTISSEMENT

Lors de l'essai de pression d'un système à l'eau, il est très important de s'assurer que le couvercle du panier-filtre de la pompe de filtration est complètement fixé.

#### AVERTISSEMENT

Ne pas faire d'essai de pression au-delà de 2,4 bars (35 psi). L'essai de pression doit être fait par un professionnel qualifié en piscine. L'équipement de circulation qui n'est pas testé convenablement peut ne pas fonctionner, ce qui pourrait entraîner de graves blessures ou des dommages matériels.

1. Remplir le système d'eau en faisant attention de bien expulser l'air emprisonné.
2. Pressuriser le système d'eau à 2,4 bars (35 psi) au maximum.
3. Fermer le robinet pour emprisonner l'eau sous pression dans le système.
4. Observer le système pour la présence de fuites ou de chutes de pression.

5. Pour le soutien technique, veuillez contacter le soutien technique de Zodiac® à 800 822.7933.

## Section 4. Fonctionnement

### 4.1 Démarrage

#### ATTENTION

Ne jamais actionner la pompe de surpression sans eau. Faire fonctionner la pompe « à sec », quelle que soit la durée, peut causer d'importants dommages à la pompe et au moteur et annuler la garantie.

#### ATTENTION

Ne jamais utiliser la pompe de surpression lorsque le nettoyeur n'est pas branché. Faire fonctionner la pompe sans le nettoyeur causera des dommages à la turbine et annulera la garantie.

S'il s'agit d'une nouvelle installation de piscine, s'assurer que toute la tuyauterie est dépourvue de débris de construction et que l'essai de pression a été effectué correctement. L'installation du filtre devrait être vérifiée, en s'assurant que toutes les connexions et les attaches sont sécurisées conformément aux recommandations du fabricant.

#### AVERTISSEMENT

Pour éviter tout risque de dommage ou de blessure, vérifier que l'alimentation électrique est coupée avant d'entamer cette procédure.

1. Activer la pompe de filtration.
2. Ouvrir la soupape de décharge du filtre pour décharger la pression du système jusqu'à ce que l'eau s'écoule.
3. Si la pompe de filtration se situe sous le niveau de l'eau de la piscine, l'ouverture du détendeur de pression causera l'injection de l'eau dans la pompe.
4. Une fois que le filtre a été purgé d'air, fermer la soupape de décharge.
5. Mettre la pompe à surpression sous tension. Puis, activer la pompe à surpression.
6. La pompe à surpression devrait s'amorcer. Le temps d'amorçage dépendra de l'élévation et de la longueur des tuyaux utilisés pour le tuyau d'alimentation par aspiration. Voir *section 3.3.6* pour une bonne élévation et la taille adéquate de tuyau.
7. Si la pompe à surpression ne s'amorce pas malgré le fait d'avoir suivi toutes les instructions, vérifier s'il n'y a pas une fuite d'aspiration.

## Section 5. Entretien

### 5.1 Hivernage de la pompe

#### ATTENTION

La pompe doit être protégée lorsque des températures glaciales sont prévues. Laisser la pompe geler l'endommagera gravement et annulera la garantie.

#### ATTENTION

**Ne pas utiliser d'antigel dans les systèmes de piscine, de spa ou de jacuzzi!** Les antigels sont hautement toxiques et peuvent endommager le système de circulation. La seule exception est le propylène glycol. Pour plus d'information, se référer au fournisseur local de piscine ou de spa ou contacter une société agréée de services de piscine.

1. Drainer toute l'eau de la pompe, de l'équipement du système et de la tuyauterie.
2. Retirer le bouchon de vidange. Entreposer le bouchon de vidange en lieu sûr et le réinstaller une fois la saison froide passée. **Prendre soin de ne pas perdre les joints toriques.** (Bouchon de vidange avec joint torique R0537000).
3. Garder le moteur sec et couvert.

**REMARQUE** Le fait de recouvrir la pompe avec du plastique entraînera de la condensation, et cette humidité endommagera la pompe. La meilleure façon de protéger votre pompe est de faire appel à un technicien qualifié ou à un électricien agréé pour déconnecter correctement le câblage électrique au niveau de la boîte de commutation ou de jonction. Dès que l'alimentation est coupée, les deux (2) raccords rapide peuvent être desserrés, et la pompe rangée à l'intérieur. Pour des raisons de sécurité et pour empêcher la pénétration de contaminants, replacer tous les couvercles de boîtes de dérivation et de connexions.

4. Quand le système est fonctionnel à nouveau, s'assurer que toute la tuyauterie, les robinets, le câblage et l'équipement sont conformes aux recommandations du fabricant. Faire particulièrement attention au filtre et aux connexions électriques.
5. La pompe doit être amorcée avant le démarrage; Se référer à la *section 4.1, Démarrage*.

## Section 6. Dépannage et réparation

Zodiac® recommande fortement d'appeler un technicien en entretien et en réparation agréé et qualifié pour effectuer toute réparation sur le système de filtre et la pompe. Pour trouver une entreprise d'entretien et de réparation indépendante, consulter l'annuaire commercial local ou visiter : [www.zodiacpoolsystems.com](http://www.zodiacpoolsystems.com).

### 6.1 Dépannage

SYMPTÔME	Problème ou solution possible
Le système de circulation ou de nettoyage ne fonctionne pas bien.	<p>Vérifier que les paniers d'écumoirs, les paniers-filtres et autres tamis sont propres. Nettoyer au besoin.</p> <p>Vérifier le filtre et nettoyer au besoin.</p> <p>Vérifier les positions des robinets. Ajuster au besoin.</p> <p><b>REMARQUE</b> De multiples parties d'équipement fonctionnant en même temps (par exemple, chutes d'eau, jets de spa et retours de surface) peuvent entraver le bon fonctionnement du système de nettoyage.</p> <p>Vérifier le système de nettoyage manuellement pour s'assurer que le système est réglé conformément aux recommandations du fabricant.</p>
Des bulles apparaissent dans le panier-filtre de la pompe de filtration.	<p>Présence d'air dans le système. Vérifier le niveau d'eau de la piscine ou du spa pour s'assurer qu'il est approprié et que l'air n'est pas aspiré dans la tuyauterie. Si l'eau est à un niveau normal, arrêter la pompe. Enlever le couvercle et vérifier qu'il n'y a pas de débris autour du siège du joint torique du couvercle ou que l'installation du joint d'étanchéité du couvercle soit adéquate, car sinon cela causera des fuites d'air dans le système. Nettoyer le joint torique d'étanchéité et le placer sur le couvercle. Serrer à la main le couvercle pour une fermeture étanche à l'air. <b>Ne pas utiliser d'outils pour serrer le couvercle.</b> Redémarrer la pompe.</p>
Les fuites d'air sont encore présentes.	<p>Vérifier le raccord-union du côté de la tuyauterie d'aspiration. Pendant que la pompe fonctionne, essayer de serrer le raccord-union. Si cela n'arrête pas la fuite d'air, couper l'alimentation de la pompe. Desserrer les deux raccords-unions et glisser la pompe pour l'éloigner de son emplacement. Enlever, nettoyer et remettre à la fois les raccords-unions et les joints toriques sur la pompe de filtration.</p> <p>Repositionner la pompe près de la tuyauterie et fixer solidement les boulons de raccord-union à la pompe. À l'aide de raccords-unions et de joints toriques propres, le serrage des raccords-unions devrait sceller le tout. Si les raccords-unions ne scellent pas, serrer délicatement avec une grande pince multiprise.</p> <p><b>Ne serrer pas plus qu'il ne faut.</b></p>
Il n'y a pas d'air dans le système, mais la pression est encore faible.	<p>Il est possible que des débris soient coincés dans la turbine de la pompe. La turbine de la pompe déplace l'eau, et les pales de la turbine peuvent être bloquées par des débris. Voir <i>section 6.2 : Entretien par un technicien en entretien et en réparation, 6.2.1, Turbine bloquée</i>, pour plus d'informations.</p>
Il n'y a pas de débris bloquant la turbine et la pression est toujours faible.	<p>La turbine de la pompe présente des signes d'usure normale. Faire vérifier et remplacer au besoin la turbine par un technicien en entretien et en réparation agréé.</p> <p>Si la pompe fait partie d'une installation relativement nouvelle, cela pourrait être un problème électrique. Communiquer avec un technicien en entretien et en réparation agréé. Faire vérifier par un technicien que des connexions électriques ne soient pas lâches et qu'il examine la tension du moteur de la pompe en fonctionnement. La tension doit être celle indiquée sur la plaque d'identification du moteur, à 10 % près. Si la tension n'est pas à 10 % près, communiquer avec un électricien agréé ou le fournisseur local en électricité.</p> <p>Le joint d'étanchéité de la pompe a une fuite d'air. Faire remplacer le joint d'étanchéité par un technicien en entretien et en réparation agréé.</p>
La pompe a une fuite d'eau entre le moteur et le corps de la pompe.	<p>Elle est causée par une garniture mécanique endommagée ou défaillante. Remplacer la garniture mécanique. Voir <i>section 6.2 : Entretien par un technicien en entretien et en réparation, 6.2.4, Remplacement du joint de la garniture mécanique</i>.</p>
La pompe s'échauffe et s'éteint périodiquement.	<p>S'assurer qu'il y a assez d'espace autour du moteur pour la circulation d'air afin de maintenir le moteur à basse température. Faire vérifier par un technicien agréé que des connexions ne soient pas lâches et qu'il examine la tension du moteur de la pompe en fonctionnement. La tension doit être celle indiquée sur la plaque d'identification du moteur, à 10 % près. Si la tension n'est pas à 10 % près, communiquer avec un électricien agréé ou le fournisseur local en électricité.</p>



## 6.2 Maintenance par un technicien en entretien et en réparation

### ⚠ AVERTISSEMENT

Cette pompe doit être entretenue par un technicien professionnel d'entretien agréé pour l'installation de piscines ou de spas. Les procédures suivantes doivent être scrupuleusement suivies. Une installation ou utilisation incorrecte peut causer de dangereux risques électriques pouvant provoquer la circulation d'une haute tension dans le système. Cela peut causer des dommages matériels, un danger de blessures graves ou la mort. L'installation ou l'utilisation inappropriée annuleront la garantie.

### 6.2.1 Turbine bloquée

### ⚠ AVERTISSEMENT

Au cours de l'entretien de la pompe, éteindre les disjoncteurs au niveau de l'alimentation. Une blessure grave ou la mort peut survenir si la pompe démarre pendant que les mains se trouvent à l'intérieur.

1. Éteindre la pompe. Fermer le disjoncteur du moteur de la pompe.
2. Regarder à l'intérieur de la pompe pour des débris. Enlever tous les débris trouvés à l'intérieur.
3. Allumer le disjoncteur au moteur de la pompe.
4. Démarrer la pompe et observer si le problème est résolu.
5. Si la turbine est encore bloquée par les débris et qu'il est impossible de les enlever, la pompe devra être démontée pour accéder aux orifices d'entrée et de sortie de la turbine.

### 6.2.2 Retrait de la turbine

### ⚠ AVERTISSEMENT

Au cours de l'entretien de la pompe, éteindre les disjoncteurs au niveau de l'alimentation. Une blessure grave ou la mort peut survenir si la pompe démarre pendant que les mains se trouvent à l'intérieur.

1. Éteindre la pompe. Fermer le disjoncteur du moteur de la pompe. Si le moteur n'est pas remplacé, ne pas déconnecter le câblage électrique.

**REMARQUE** S'il s'agit d'un remplacement du moteur, Zodiac® recommande fortement qu'un technicien en entretien et en réparation ou un électricien agréé déconnecte correctement le câblage électrique du moteur de la pompe.

2. Fermer tous les robinets pour empêcher l'eau de la piscine d'atteindre la pompe. Drainer l'eau de la pompe en desserrant les raccords-unions ou en retirant les bouchons de vidange.

3. À l'aide d'une clé de 14 mm (9/16 po), desserrer les boulons reliant la volute de la pompe à la plaque arrière du moteur. Voir la Figure 8.

4. Enlever la volute de la plaque arrière. La turbine est connectée à l'arbre du moteur.

**REMARQUE** À ce stade, il est possible d'accéder aux orifices d'entrée et de sortie de la turbine afin d'enlever les débris.

5. Enlever le couvercle de l'arbre du moteur à l'arrière de ce dernier en dévissant la vis à tête hexagonale à l'aide d'une clé à molette de 90°. Voir la Figure 8. L'arbre du moteur sera visible.

6. Tenir l'arbre du moteur à l'aide d'une clé de 13 mm (½ po) en dévissant à la main la turbine de l'arbre du moteur.

**REMARQUE** La turbine a un filetage à droite, tourner dans le sens antihoraire pour desserrer.

7. Inspecter la turbine pour la présence de frottement ou de dommage.

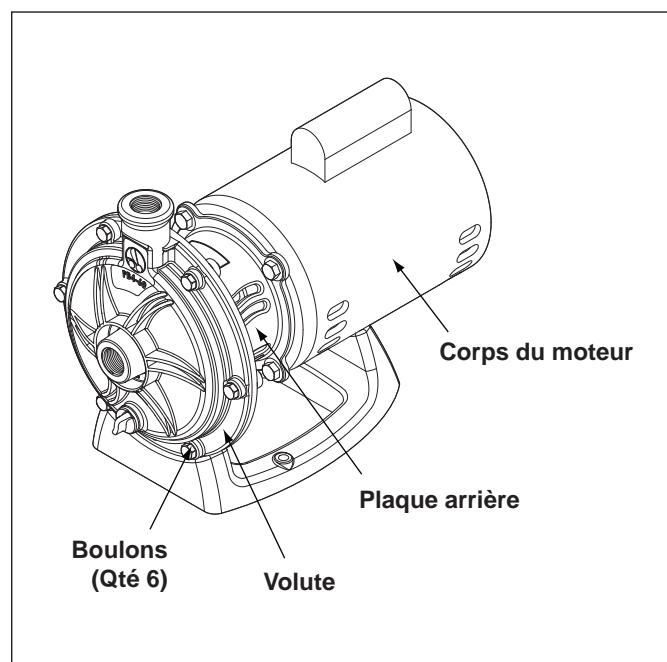


Figure 8. Retirer la volute de la pompe

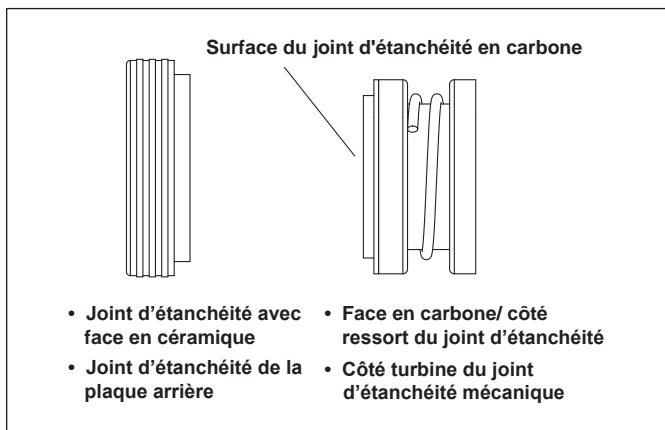


Figure 9. Remplacer la garniture mécanique

### 6.2.3 Remplacement de la turbine

- Appuyer sur la moitié du nouveau joint mécanique en carbone (voir la Figure 9) contre l'arbre du moteur en effectuant un mouvement de torsion. S'assurer que la surface de carbone est exposée face à l'anneau en céramique dans la plaque arrière.

## ⚠ ATTENTION

**Très important!** Tenir la base inférieure du joint (opposée à la face en carbone) en installant le joint d'étanchéité sinon il sera endommagé.

**REMARQUE** Pour aider au montage, seule l'eau et une solution savonneuse peuvent servir de lubrifiants. **Tout autre lubrifiant détruira le joint après un certain temps.**

**REMARQUE** Un grand soin doit être apporté à la propreté du joint d'étanchéité et des pièces en contact.

- En tenant l'arbre du moteur à l'aide d'une clé de 13 mm ( $\frac{1}{2}$  po), introduire la turbine dans l'arbre du moteur. Serrer la turbine à la main jusqu'à ce qu'elle soit solidement fixée. **Ne pas trop serrer.**
- Replacer le couvercle de l'arbre du moteur en insérant les languettes dans les fentes et en tournant le couvercle à 90° dans le sens horaire.
- Serrer légèrement les vis en diagonale en se servant d'une clé de 14 mm ( $\frac{9}{16}$  po), en commençant avec les quatre (4) du milieu, puis les quatre (4) de l'extérieur (du haut et de la base) pour appuyer uniformément la plaque arrière contre le corps. Dès que toutes les vis sont ajustées, serrer selon le même ordre avec un couple de 18 pi-lb.
- Ouvrir la soupape régulatrice de pression sur le filtre et s'assurer qu'elle est propre et prête à fonctionner.
- Allumer le disjoncteur au moteur de la pompe.
- Démarrer la pompe et vérifier si le système fonctionne normalement.
- Une fois que le filtre a été purgé d'air, fermer la soupape régulatrice de pression.

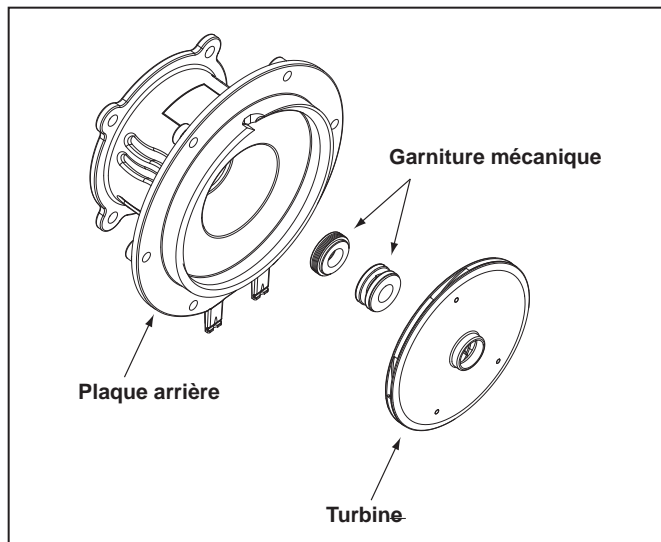


Figure 10. Emplacement de la plaque arrière, de la turbine et de la garniture mécanique

### 6.2.4 Remplacement de la garniture mécanique

**REMARQUE** Il s'agit d'un processus de remplacement en deux (2) étapes. **La garniture mécanique au complet doit être remplacée.**

**REMARQUE** Consulter la Figure 10 pour une illustration de l'emplacement de la garniture mécanique et de la turbine.

## ⚠ AVERTISSEMENT

Ne pas endommager les surfaces en céramique ou en carbone des joints d'étanchéité. Si les surfaces sont endommagées, des fuites apparaîtront.

- Pour accéder à la garniture mécanique, suivre les étapes de 1 à 6 de la section 6.2.2, *Retrait de la turbine*.
- Enlever la moitié du joint mécanique en carbone de l'arbre du moteur. Se référer à la Figure 9. Il s'agit d'un joint à ressort. Tenir la partie du joint d'étanchéité la plus proche de la turbine et retirer le joint en effectuant un mouvement de torsion.
- Retirer le moteur de la plaque arrière en suivant les étapes de la section 6.2.5 : *Remplacement du moteur*.
- Placer le joint torique de la plaque arrière avec la face vers le sol et retirer avec force le joint d'étanchéité en céramique à l'aide d'un tournevis ou d'une cheville d'assemblage.
- Tourner le joint torique de la plaque arrière vers le haut et insérer le nouveau joint d'étanchéité en céramique dans la plaque. Aligner soigneusement le joint en pressant avec les doigts. La céramique s'endommage facilement et doit donc être appuyée uniquement avec les doigts ou des outils mous. Ne pas utiliser de lubrifiant autre que de l'eau et une solution savonneuse.
- Installer le moteur en suivant les étapes de la section 6.2.5 : *Remplacement du moteur*.
- Installer la plaque arrière en suivant les étapes de la section 6.2.3 : *Remplacement de la turbine*.

## 6.2.5 Remplacement du moteur

### ⚠ ATTENTION

Pour assurer une sécurité permanente et un fonctionnement fiable, Zodiac Pool System requiert, le cas échéant, le remplacement du moteur par un autre de puissance (HP) et de facteur de service (agréé par Zodiac Pool Systems, Inc. uniquement) identiques.

### ⚠ AVERTISSEMENT

Pour éviter le risque des dommages matériels, des blessures graves ou de mort, éteindre la pompe et couper le disjoncteur du moteur de la pompe avant de suivre cette procédure.

1. Faire appel à un technicien en entretien et en réparation ou à un électricien agréé pour déconnecter adéquatement le câblage électrique au moteur de la pompe.
2. Pour démonter la volute de la pompe du moteur, suivre les étapes de 1 à 6 de la *section 6.2.2, Retrait de la turbine*.
3. Enlever les quatre (4) vis de 9/16 po et retirer le moteur.

**REMARQUE** Avant d'enlever la plaque arrière, noter l'alignement de la plaque arrière du moteur. L'étiquette est orientée vers le haut. Voir figure 11.

4. S'il s'agit de l'installation d'un nouveau moteur, enlever le capuchon protecteur en plastique de l'arbre du moteur. Placer le moteur sur la plaque arrière. L'étiquette doit être orientée vers le haut. Le condensateur de démarrage du moteur devrait être à la position de 12 heures.
5. Remettre les quatre (4) boulons et rondelles en tenant en place la plaque arrière et le moteur.

6. Pour rassembler la pompe après le remplacement du moteur, suivre les étapes de 1 à 9 de la *section 6.2.3, Remplacement de la turbine*.
7. Faire appel à un technicien en entretien et en réparation ou à un électricien agréé pour connecter le câblage électrique adéquatement au moteur de la pompe.

**REMARQUE** Zodiac Pool Systems, Inc. recommande que les garnitures mécaniques soient remplacées en même temps que le remplacement du moteur. Voir *section 6.2.4, Remplacement de la garniture mécanique*, pour plus de détails.

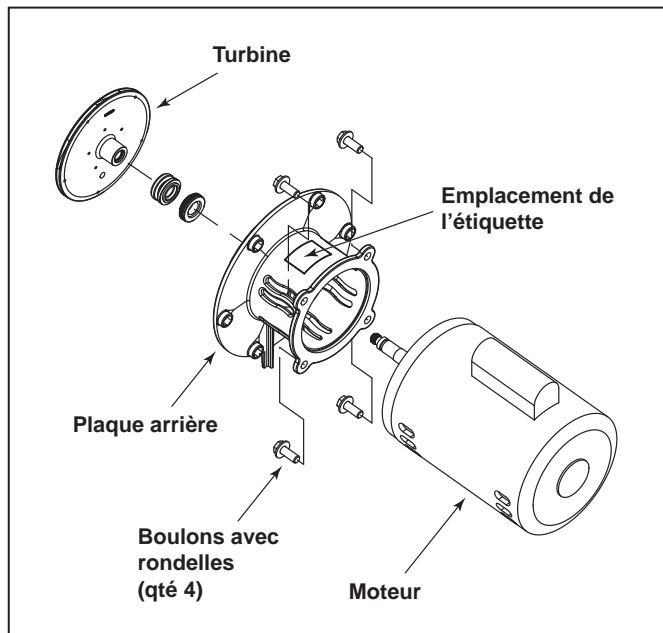


Figure 10. Enlever la plaque arrière

## Section 7. Caractéristiques du produit et données techniques

### 7.1 Liste des pièces de rechange

Pour commander ou acheter des pièces pour les pompes Polaris, veuillez communiquer avec votre concessionnaire Zodiac le plus près. Si vous ne trouvez pas ce dont vous avez besoin, contactez le soutien technique de Zodiac au 1 800 822.7933 ou consulter le site [www.zodiacpoolsystems.com](http://www.zodiacpoolsystems.com).

Key No.	Description	Qty	Order Part No.	Comments
1	Moteur de remplacement pour pompe de surpression	1	P61	
2	Joint torique, plaque arrière, PB4-60	1	R0536600	
3	Joint d'étanchéité, céramique et ressort	1	R0445500	
4	Turbine, PB4-60	1	R0536400	
5	Volute, PB4-60	1	R0536300	(inclut bouchon de vidange et joint torique)
6	Boulons avec rondelles et écrous	6	R0536900	
7	Bouchon de vidange avec joint torique, commun	1	R0537000	
8	Base, surpresseur, PB4-60	1	R0537100	
9	Boulons et rondelles, inoxydables, moteur, PB4-60	4	R0536800	
10	Kit d'installation Quick Connect	1	R0617100	Compris 6' longueur du tuyau souple renforcé et 4 raccords Quick Connect.
11	Raccords Quick Connect	4	R0621000	Compris 4 raccords Quick Connect et manuel d'installation.
12	Tuyau de pompe, 6 pi, flexible renforcé	1	P19	6' Length
13	Plaque arrière, PB4-60	1	R0536700	Compris seal et plaque arrière torique

### 7.2 Vue éclatée de la pompe de surpression Polaris PB4-60.

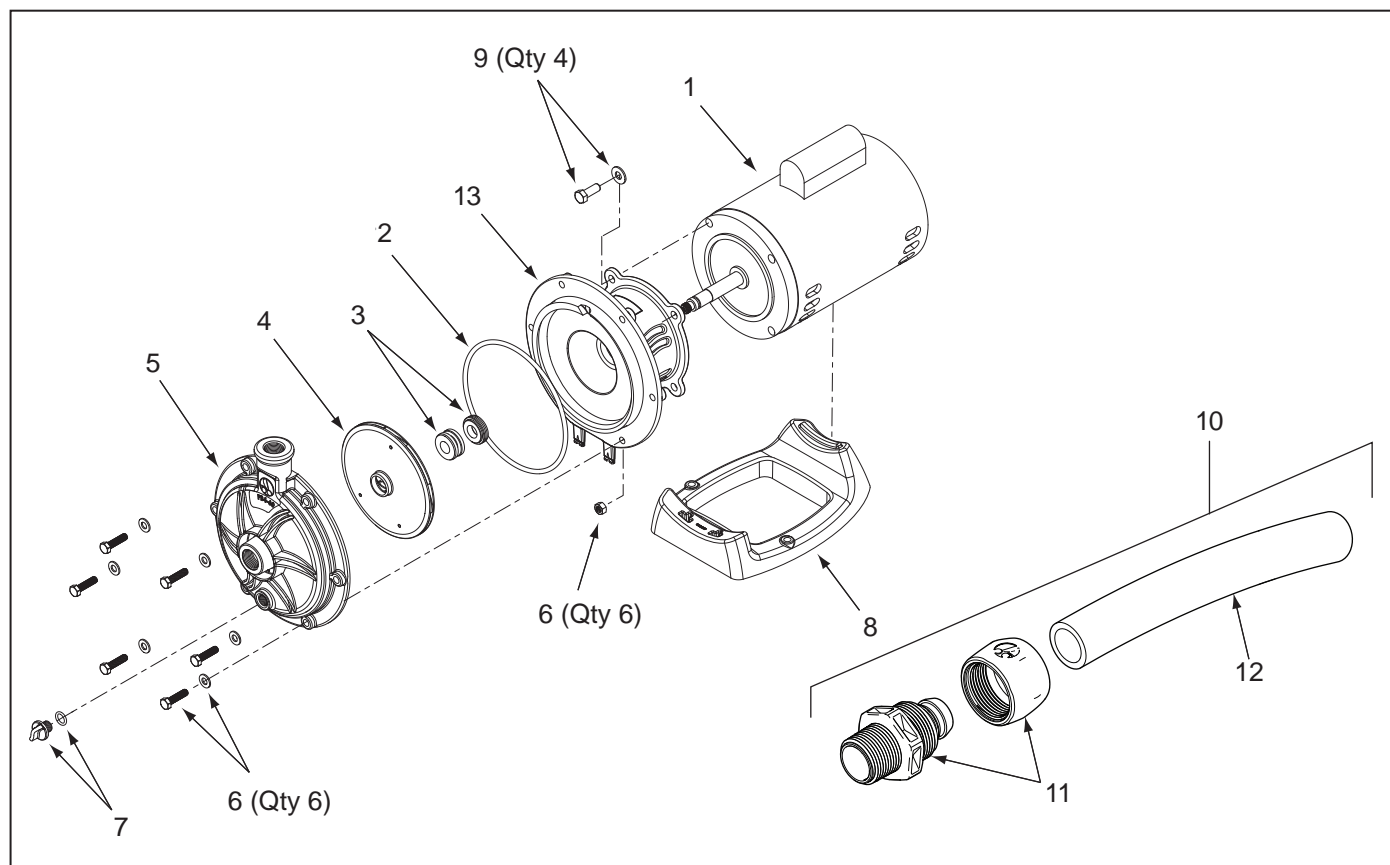


Figure 11. Vue éclatée de la pompe de surpression Polaris PB4-60.

### 7.3 Dimensions des pompes

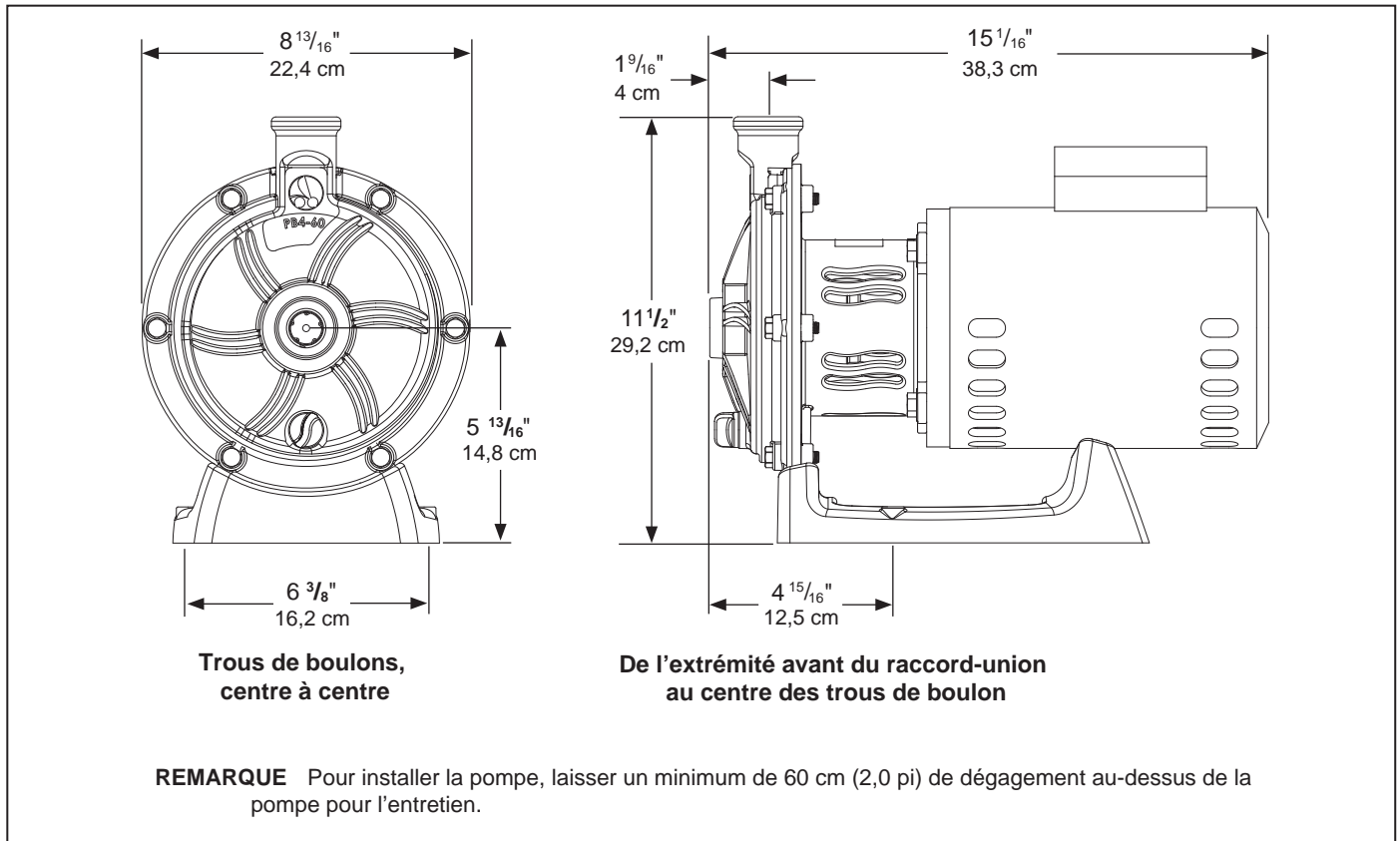


Figure 12. Dimensions des pompe de surpression Polaris PB4-60

## 7.4 Identification visuelle de la nouvelle pompe de surpression Polaris PB4-60



Pour les pompes de surpression Polaris PB4-60 dont les numéros de série commencent par « PB », fabriquées le 1er décembre 2011 ou postérieurement.

Figure 13. Nouvelle pompe de surpression Polaris PB4-60



Les anciens modèles des pompes de surpression PB4-60 dont la production a cessé le 30 novembre 2011.

Figure 14. Ancien modèle de fin de série de la pompe de surpression PB4-60

## REMARQUES

**Zodiac Pool Systems Canada, Inc.**  
2115 South Service Road West, Unit 3  
Oakville, ON L6L 5W2  
1.888.647.4004 | [www.ZodiacPoolSystems.ca](http://www.ZodiacPoolSystems.ca)

**Zodiac Pool Systems, Inc.**  
2620 Commerce Way, Vista, California 92081 USA  
1.800.822.7933 | [www.ZodiacPoolSystems.com](http://www.ZodiacPoolSystems.com)

*ZODIAC® est une marque déposée de Zodiac International, S.A.S.U., utilisée sous licence.  
Polaris® et le design trois-roue de Polaris sont marques déposées de Zodiac Pool Systems, Inc.  
Toutes les marques de commerce citées en référence dans ce document appartiennent à leurs propriétaires respectifs.*

© 2014 Zodiac Pool Systems, Inc. H0344400 REV D

