



INSTALLATION GUIDE

Installing a Rectangular Cover

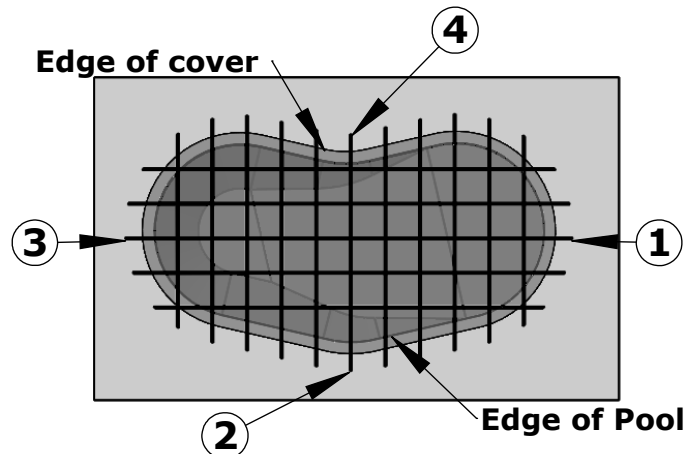
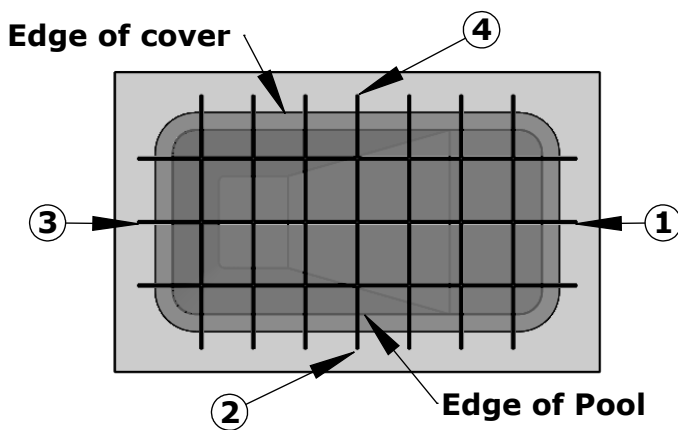
Installing a Freeform Cover

IN-GROUND COVER INSTALLATION INSTRUCTIONS

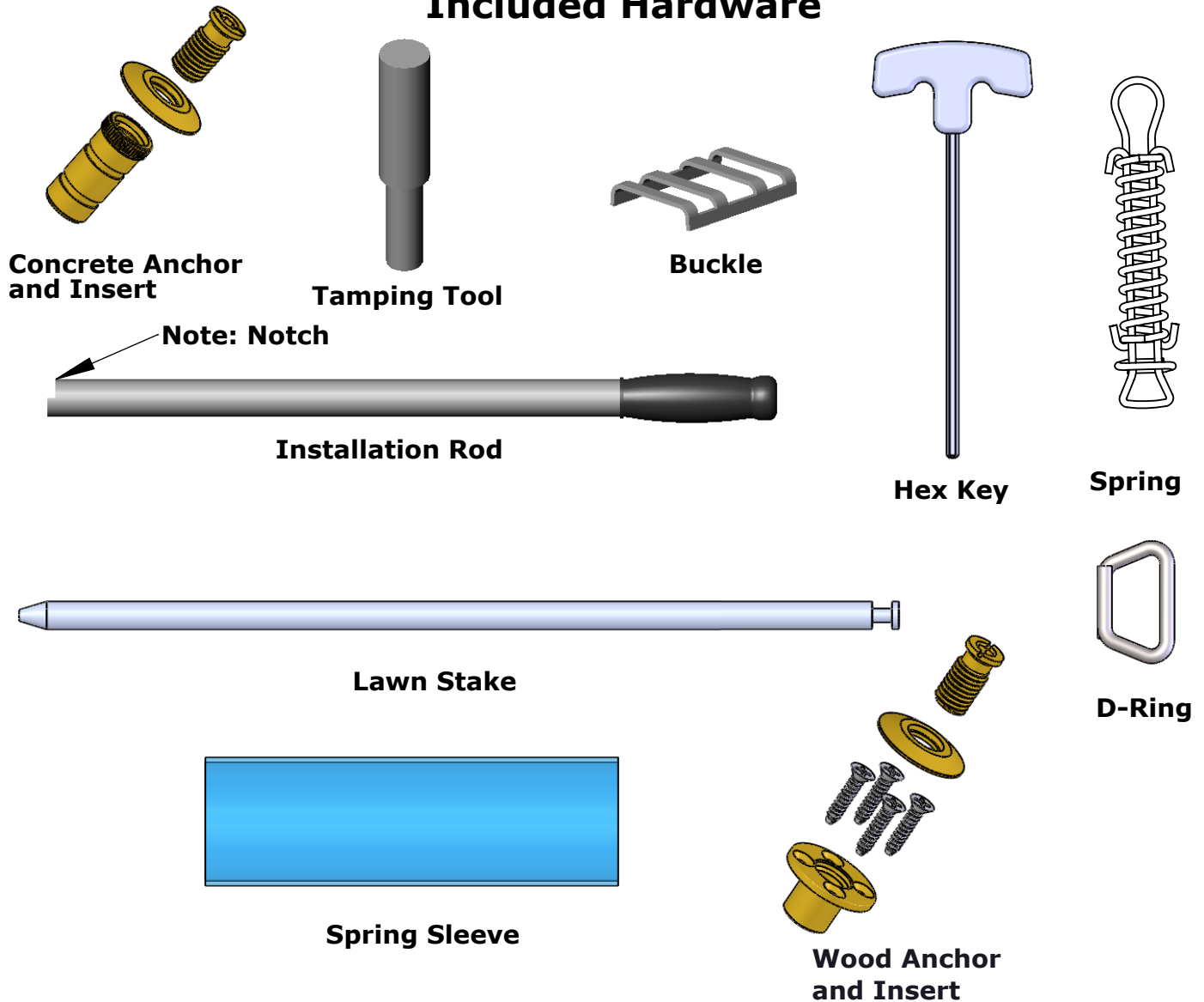
IN-GROUND COVER INSTALLATION INSTRUCTIONS

1. Remove all ladders and handrails
2. Measure the pool and the cover. This will determine the overlap of the cover. Take the difference on width and length and divide by two. The overlap can vary from 10 to 15 inches.
3. Place cover over the pool carefully so you do not snag or damage the cover. The cautionary label should be facing up. Adjust to the overlap determined in step 1. Use something on the straps to hold the cover in place (buckets of water or bags of sand).
4. Mark the anchor points at the center of each wall. They are located 18 inches from the edge of the cover. Install the anchors. (See anchor section)
5. Attach straps to the springs, then place the springs on the anchors
6. Continue with the anchor points for the rest of the cover. With all anchors and springs installed, recheck all the anchors and straps to make sure they are secured and adjusted with equal tension.

1. Remove all ladders and handrails
2. Measure the pool and the cover. This will determine the overlap of the cover. Take the difference on width and length and divide by two. The overlap can vary from 10 to 15 inches.
3. Place cover over the pool carefully so you do not snag or damage the cover. The cautionary label should be facing up. Adjust to the overlap determined in step 1. Use something on the straps to hold the cover in place (buckets of water or bags of sand).
4. Mark the anchor points as shown below. They are located 18 inches from the edge of the cover. Install the anchors. (See anchor section)
5. Attach straps to the springs, then place the springs on the anchors
6. Continue with the anchor points for the rest of the cover. With all anchors and springs installed, recheck all the Anchors and straps to make sure they are secured and adjusted with equal tension.



Included Hardware



Anchor Layout

After the cover has the initial anchors, layout the remaining straps (18" from edge of cover). On rectangles you can use a chalk line to make sure the anchors are in a straight line.

Anchor Installation

Tools needed:

- Rotary Hammer Drill
- 3/4" Concrete Bit
- Chalk Line
- Hammer
- Goggles/protective Eyewear

WARNING: Always wear goggles or other appropriate eye protection while installing anchors or other pool equipment using power tools.

Concrete Decks

1. Drill about 2-1/4" inches into the deck using a rotary hammer drill with a 3/4 inch masonry bit. Vacuum or flush out the concrete dust in the bottom of the hole.
2. Remove the anchor insert from the anchor .Place the brass anchor into the hole and tamp it down carefully until flush with the deck using the tamper tool. Do not drive the anchor in with the anchor insert in place.
3. Screw the anchor insert into the anchor with the hex key, with around 1/3 of the anchor insert above the deck to secure the spring.

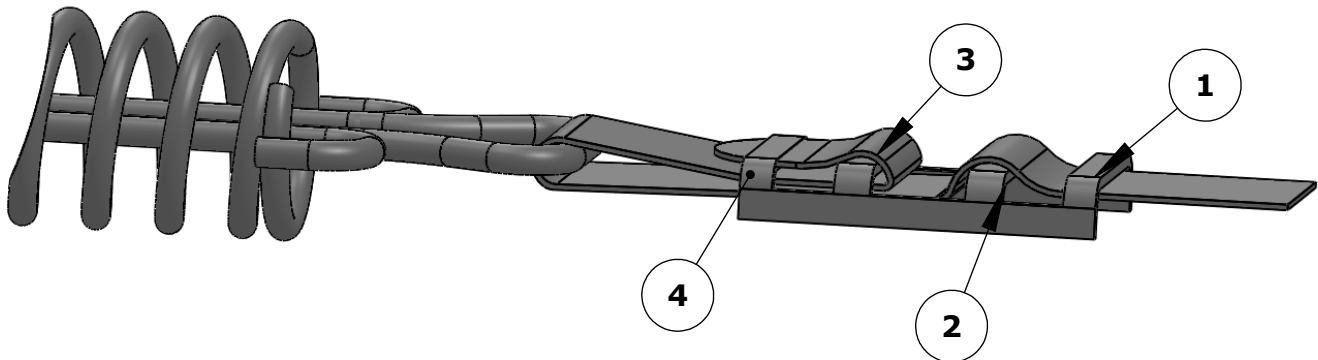


Other Deck Surfaces

1. For Brick, Pavers, Stone (or for wood decks less than 1-5/8") to be installed, you will need a 3/4" I.D. conduit or pipe that is 15" in length. Drill into the deck using a rotary hammer drill with an appropriate size masonry bit. Vacuum or flush out the concrete dust in the bottom of the hole.
2. Remove the brass insert from the anchor .Place the brass anchor into the pipe and drive the pipe into the hole and tamp it down carefully until flush with the deck using the a block of wood. Do not drive the anchor in with the anchor insert in place.
3. Screw the brass insert into the casing with the hex key, with around 1/3 of the anchor insert above the deck to secure the spring.

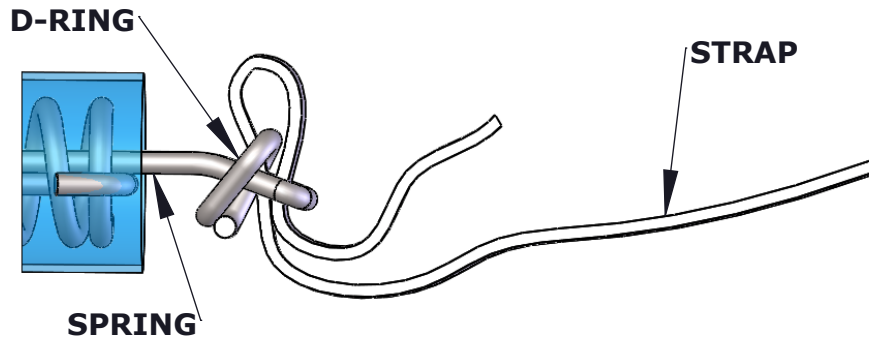
Spring W-Buckle Installation

Spring to Strap Attachment



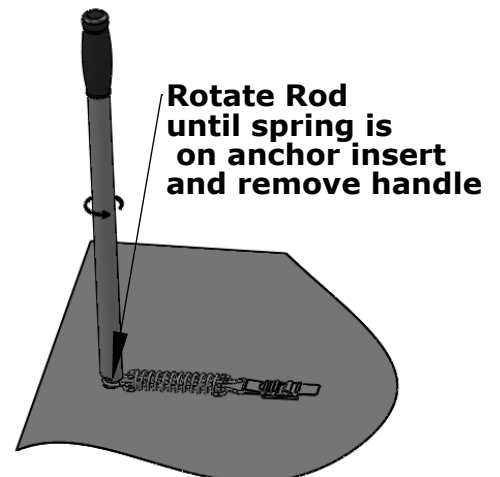
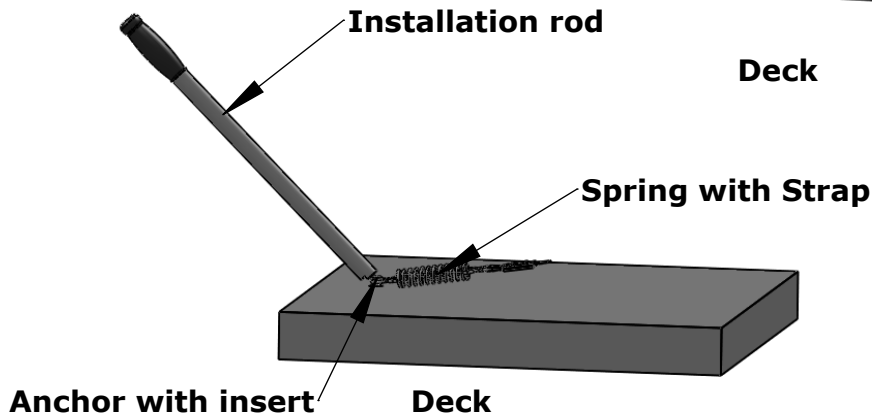
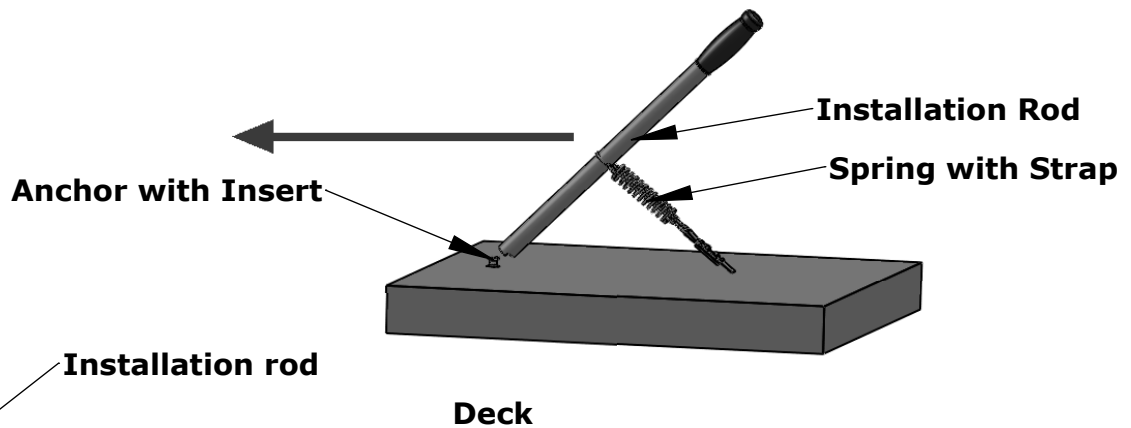
- 1.Lace strap through #1.
- 2.Go over #2
- 3.Between #2 and #3
- 4.Loop around square end of spring.
- 5.Back between #2 and #3
- 6.Push end underneath #4.

Spring W/D-Ring Installation Spring to Strap Attachment



Installing Springs on the Anchors

1. Place the installation rod through the round end of the spring with notch in rod facing away from cover.
2. Place the end of rod over the anchor insert.
3. Pivot the rod away from the edge of the cover until the spring slides over the anchor insert.
4. Rotate the installation rod until the rod is free.



Spring Adjustment

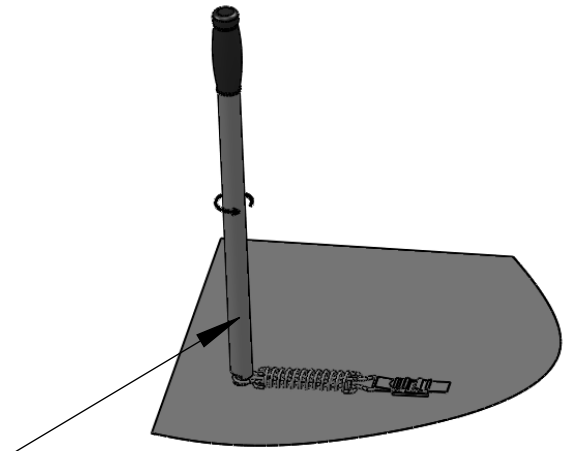
1. The springs should be compressed 50%
- 2 After initial installation recheck the spring tension to make sure it is correct the cover should fit tightly.

A loose cover can sag and become damaged.

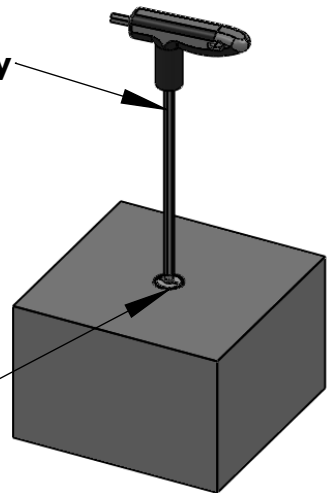
Removing the Cover

- 1 Place the installation rod over the spring where it connects to the anchor. Make sure the notch is facing away from the cover
2. Rotate the installation rod until the spring is over the end of the installation rod.
3. Pull the rod toward the cover so the spring slides up the rod and relieves tension.
4. Using the Hex Key provided rotate the anchor insert until it is flush with the insert.

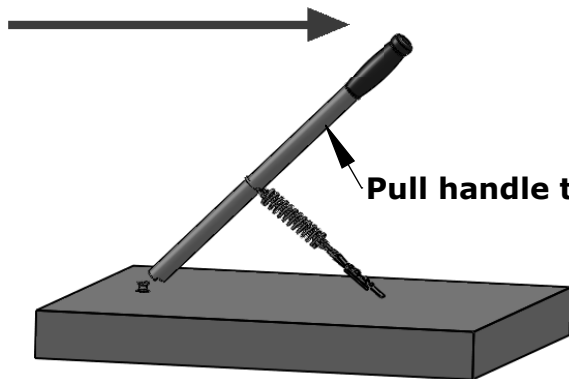
Insert handle into spring and rotate



Hex key



Pull handle toward cover



Insert flush with deck

Maintaining Anchors

For smooth operation of the anchor inserts it is a good practice each spring and fall that they be flushed out to remove any dirt. The brass inserts may also be lightly sprayed with a silicone or Teflon lubricant to ensure smooth operation. Do not use any oil or grease!

Storing The Cover

When the cover is removed it should be cleaned of debris, allowed to dry, folded and placed in its storage bag. Store the cover in a dry area away from rodents.

Caring For Your Cover

- 1. Make sure the pools water level is never allowed to fall below 18" from the main deck level. Allowing a low water level will result in cover and/or spring damage during periods of snow accumulation. This type damage will not be covered under the warranty.**
- 2. Do not walk on the cover unless their is an emergency situation. It should not be jumped upon like a trampoline. Walking or jumping on the cover could result in damage not covered by the warranty**
- 3. Proper chemical treatment is necessary when closing the pool for the winter. The chemical levels should be checked in the spring, adjust as necessary.**
- 4. Strips to protect against abrasion are sewn to the cover to protect against normal coping wear.**
- 5. It is up to the installer to, when necessary, add protective padding to sharp corners or very rough areas of the pool.**
- 6. The cover should be stored in its storage bag when not installed. Any leaves and debris should be cleaned from the cover before storing.**
- 7. The cover should be stored in an area free of rodents.**
- 8. Never swim in the pool with the cover when it is partially installed.**
- 9. Check the cover periodically to be sure the cover is secured tightly on the pool. Adjust the straps to achieve the proper tension.**
- 10. Do not to drag the cover on decking or over the cover springs. Tears resulting from mishandling will not be covered under the warranty.**

Hydra Covers
www.hydrapools.com
1-800-894-4876

THE INFORMATION CONTAINED IN THIS DOCUMENT IS THE SOLE PROPERTY OF HYDRA POOLS. ANY REPRODUCTION IN PART OR WHOLE WITHOUT WRITTEN PERMISSION OF HYDRA POOLS. IS PROHIBITED.

HYDRA POOLS, INC.

20 YEAR LIMITED, PRO-RATED, REPLACEMENT WARRANTY

Hydra Pools, Inc. (hereafter "Hydra"), pursuant to the terms, conditions, and limitations herein, provides herewith to "You," the original retail customer, the following Limited, Pro-rated, Replacement Warranty (hereafter the "Limited Warranty") as to the sewn seams for its Hydra mesh or solid swimming pool covers, and no further. For any such pool cover seam having failed due exclusively to defect in Hydra sewing within twenty (20) years from the date of purchase, Hydra at its option may repair the pool cover or replace it pursuant to the prorated purchase costs to You set forth below.

A precondition to any claim under this Limited Warranty is registration by You of the mesh or solid pool cover purchase on line at Hydra's website www.hydrapools.com within sixty (60) days of purchase.

This Limited Warranty is only for defect due to Hydra's sewing of the pool cover seams in an un-workmanlike manner, at the time sewn, and does not include failures of pool cover materials or seam failures due to other causes, including but not limited to, acts of God, misuse or abuse, improper installation, improper maintenance, excess load (such as from persons, property, wind, water, hail, snow, and/or ice), negligence of others, accident, installation in violation of local codes or ordinances, and pool chemical misuse or abuse.

This Limited Warranty is given only to You, the original retail customer of this pool cover, and is non-transferrable to any subsequent owner or user of this pool cover.

This Limited Warranty does not cover mesh or solid pool cover materials, irregularities in said materials, and fading by any cause. Materials used in the fabrication of the pool cover are not manufactured by Hydra and are not covered by this Limited Warranty.

This Limited Warranty does not cover the cost of removal or reinstallation of the pool cover (or replacement cover); claims for personal injury, death, loss use, or damage to property; or incidental, consequential, or exemplary damages. This Limited Warranty does not cover damages or expenses related to the alleged damage to pool-side coping or the replacing of water or chemicals in the pool.

If a Hydra pool mesh or solid cover should fail during the Limited Warranty period as a result of a problem covered by this Limited Warranty, You must send a letter to Hydra's Customer Service Department, at the address below, identifying (1) the date of Your purchase, (2) the date of Your on-line registration of Your warranty with Hydra, (3) the nature of the failure of the pool cover seam, (4) the date of the failure of Your pool cover seam, and (5) the corresponding serial number identifying the pool cover. Within thirty (30) days thereafter, Hydra will provide to You further instructions concerning repair, at Hydra Pool's election, or replacement with the prorated costs to you as set forth below.

If replacement is required hereunder, the charge to You shall be determined by the following schedule based on the percentage of the retail price of a like pool cover at the time of the seam failure, determined by the number of years from the date of Your purchase.

WITHIN TWO (2) YEARS NO CHARGE TO YOU

- After 2 years, You pay 40% of the replacement cost
- After 3 years, You pay 50% of the replacement cost
- After 4 years, You pay 60% of the replacement cost
- After 5 years, You pay 70% of the replacement cost
- After 6 years, but no longer than 20 years, You pay 80% of the replacement cost

THIS LIMITED WARRANTY IS PROVIDED TO YOU *IN LIEU* OF ALL OTHER WARRANTIES, EXPRESSED OR IMPLIED. HYDRA EXPRESSLY DISCLAIMS THE IMPLIED WARRANTIES OF MERCHANTABILITY AND FITNESS FOR A PARTICULAR PURPOSE. HYDRA'S FINANCIAL LIABILITY TO YOU IS LIMITED TO REPLACEMENT OF THE POOL COVER, PURSUANT TO THE ABOVE PRORATED SCHEDULE, AND IN NO EVENT WILL HYDRA BE OBLIGATED TO YOU, UNDER ANY THEORY (STATUTORY, CONTRACT, OR TORT) FOR AN AMOUNT IN EXCESS OF THE COST OF YOUR POOL COVER. HYDRA NEITHER ASSUMES NOR AUTHORIZES ANY OTHER PERSON OR ENTITY TO ASSUME FOR IT ANY OTHER WARRANTY OR LIABILITY IN CONNECTION WITH THIS HYDRA POOL COVER. THERE ARE NO WARRANTIES OTHER THAN AS SET FORTH HEREIN. This Limited Warranty shall apply only within the boundaries of the continental United States and is VOID in all other locations. This Limited Warranty is governed by the laws of the state of Tennessee. All disputes not resolved under this Limited Warranty outlined above and not barred by applicable statutes of limitation or otherwise barred by law, including but not limited to the terms of the Limited Warranty, shall be resolved by binding arbitration per T. C. A. §29-5-101, *et. seq.*, and as may be controlled by the Federal Arbitration Act, 9 U.S.C. §1 *et. seq.*, This arbitration shall be in lieu of any civil litigation in any court and in lieu of any trial by jury. Any provision of this Limited Warranty found to be unenforceable under the laws of any jurisdiction shall be deemed stricken from this Limited Warranty with all other provisions remaining in full force and effect.

Hydra Pools, Inc.
Customer Service Department
543 South Main Street
Sweetwater, Tennessee 37874

Serial # _____

Register Your Warranty On-Line at:
www.hydrapools.com