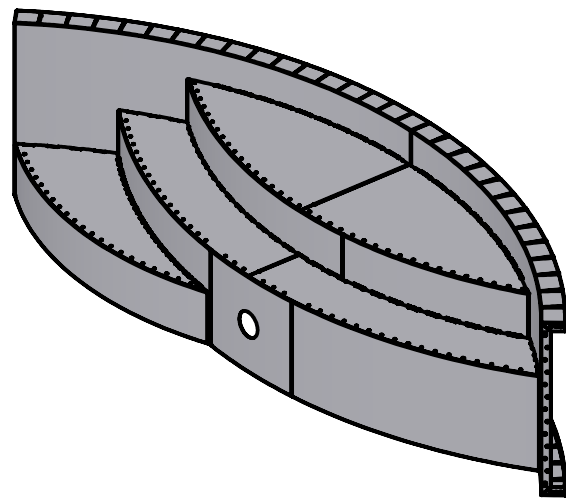
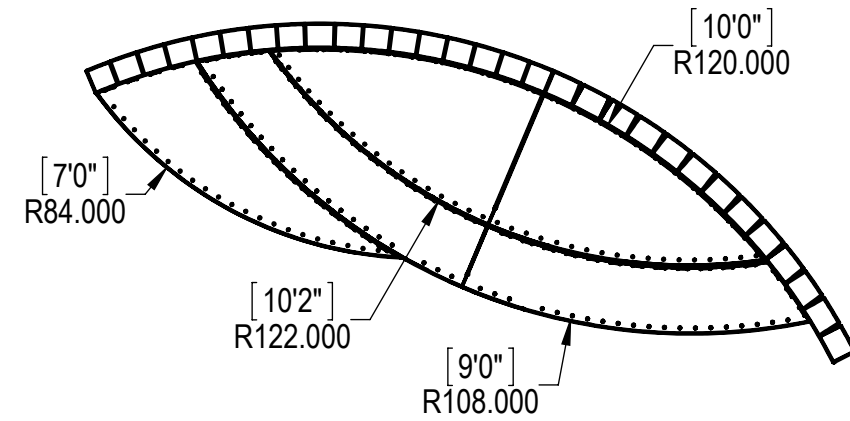
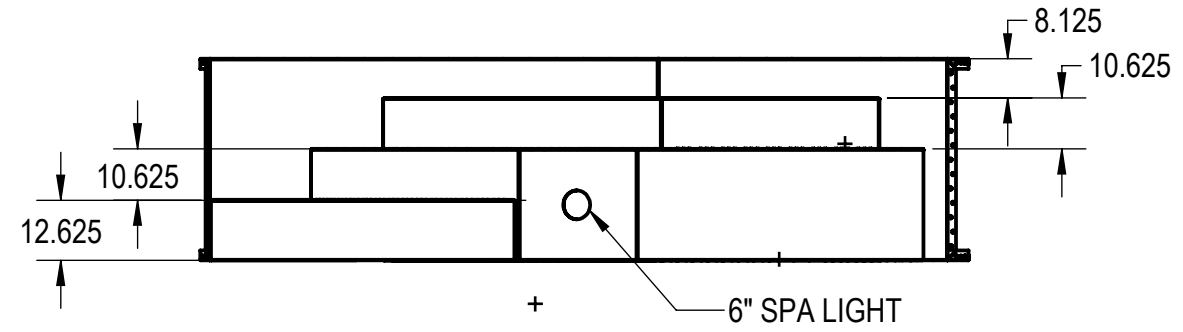
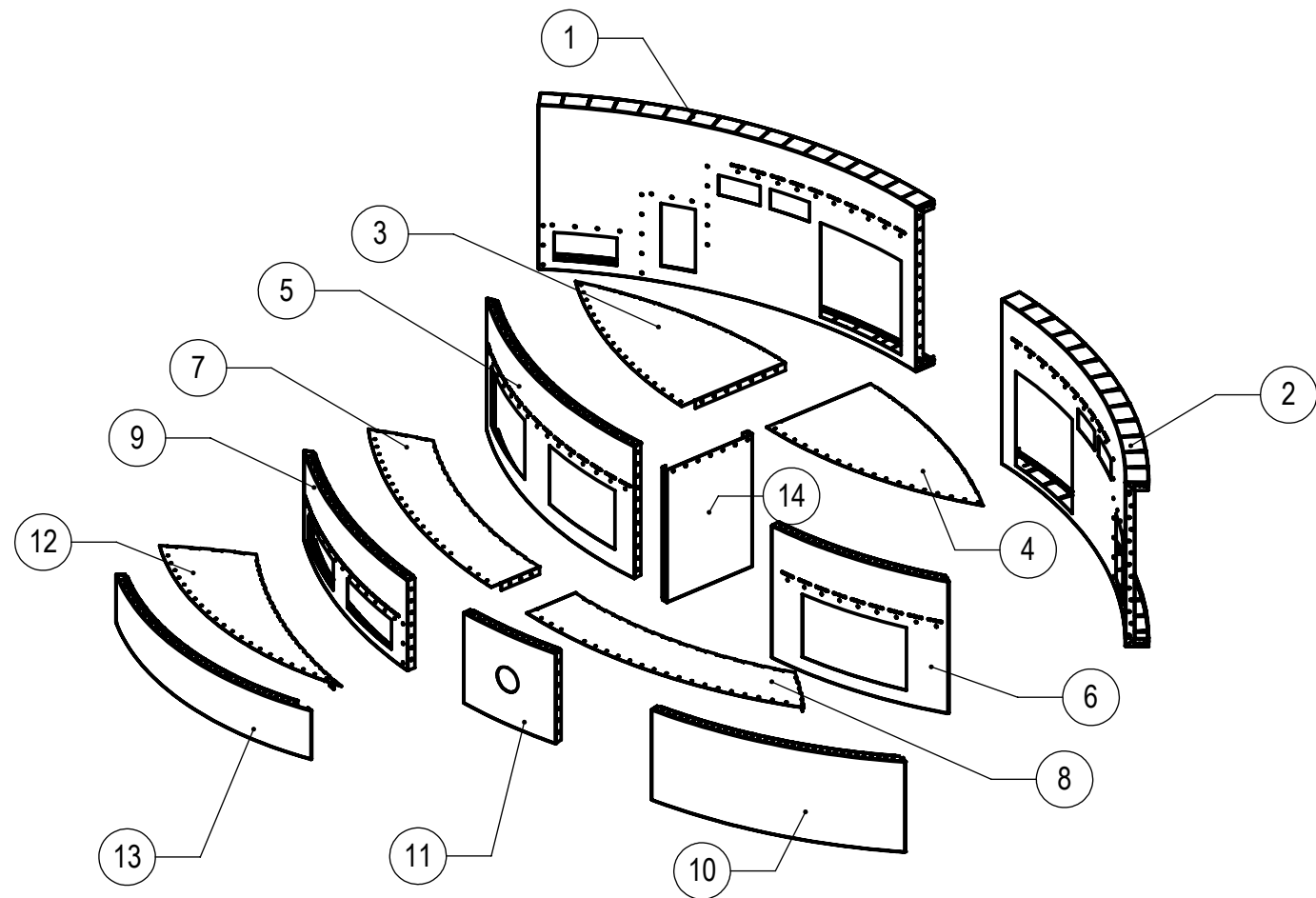


| REVISION HISTORY | | | | |
|------------------|-------------------------|----------|------|----------|
| REV. | DESCRIPTION | DATE | ECO | BY |
| A | RELEASED FOR PRODUCTION | 04/25/14 | NONE | RCOLBOCH |



| ITEM | FILE NAME | DESCRIPTION | CUSTOMER DRAWING # | VENDOR PART # | EXPLODE/QTY. | VENDOR NAME | MATERIAL |
|------|------------|--------------------------------------|--------------------|---------------|--------------|-------------|--------------------------|
| 1 | 00006066 | PANEL, 10' RADIUS 8' LONG, STEP | | | 1 | | |
| 2 | 00006067 | PANEL, 10' RADIUS 7' LONG, STEP | | | 1 | | |
| 3 | 00006085 | TREAD, TOP LEFT | | | 1 | | G-235, 14 GA |
| 4 | 00006068 | TREAD, TOP RIGHT | | | 1 | | |
| 5 | 00006069 | RISER, TOP LEFT | | | 1 | | |
| 6 | 00006094 | RISER, TOP RIGHT | | | 1 | | |
| 7 | 00006070 | TREAD, MIDDLE LEFT | | | 1 | | |
| 8 | 00006107 | TREAD, MIDDLE RIGHT | | | 1 | | |
| 9 | 00006071 | RISER, MIDDLE LEFT | | | 1 | | |
| 10 | 00006109 | RISER, MIDDLE RIGHT | | | 1 | | |
| 11 | 00006110 | RISER, MIDDLE CENTER | | | 1 | | |
| 12 | 00006072 | TREAD, THIRD | | | 1 | | |
| 13 | 00006073 | RISER, THIRD TREAD | NA | | 1 | | |
| 14 | 00006152 | SUPPORT, STEP TOP TREAD | | | 1 | | Material <not specified> |
| 15 | BOLT, PACK | BOLT, FLANGE, 3/8-16 X 1", PACK (50) | HPS1916 | HPS1916 | 7 | | AISI 1020 |
| 16 | 00000690 | FHSCS 0.375-16x1x1-HX-N | | H03164 | 125 | HYDRA POOLS | Material <not specified> |

| | | | | | |
|--|---|--|------------------------------|--------------------------------|---------------------|
| ENGINEERING DRAWING NUMBER: 00006065 | WEIGHT: 493.6 lbs | UNLESS OTHERWISE SPECIFIED DIMENSIONS ARE IN INCHES TOLERANCES DECIMALS: X ± 0.1 XX ± 0.01 XXX ± 0.005 XXXX ± 0.0005 ANGULAR: X ± 0.5 THIRD ANGLE PROJECTION ⊕ ▽ | DESIGNED BY: JBOSSERDET | CREATION DATE: 04/17/14 | SAMSON STEEL |
| | VOLUME: Inch ³ | | DETAILED BY: RCOLBOCH | DETAILED DATE: 08/30/12 | |
| | COLOR: | | LAST REVISED BY: rcolboch | LAST REVISED DATE: 04/25/14 | |
| | HEAT TREAT: | | MATERIAL: | | |
| FINISH: | TITLE: STEP, 10' RADIUS 3 TREAD WITH LINER TRACK, REVERSE RADIUS TREADS, WITH SPA LIGHT | | | PART NUMBER: NA | SCALE: 1:48 |
| TEXTURE: | | | | SIZE: 1 OF 1 | B |