

NOTES:

1. THESE ARE FINISHED DIMENSIONS READY FOR THE LINER.
2. DIMENSIONS ARE FROM INSIDE POOL PANELS.
3. THE IDEAL WATER LEVEL SHOULD BE TO THE MIDDLE OF THE SKIMMER OPENING(S).

EXCAVATION NOTES:

4. ROUGH EXCAVATION SHOULD BE 2" DEEPER IN EACH INSTANCE
5. SOIL TO HAVE MINIMUM BEARING CAPACITY OF 2000 PSF.
6. LOCATE TOP OF POOL AT LEAST 6" ABOVE THE SURROUNDING LAND ELEVATION
7. SEE "OVER DIG DETAIL" FOR EXCAVATION AROUND POOL.
8. FILL VOIDS UNDER BASE OF PANELS AND TAMP WELL.
9. BACK FILL WITH NON-EXPANSIVE MATERIAL

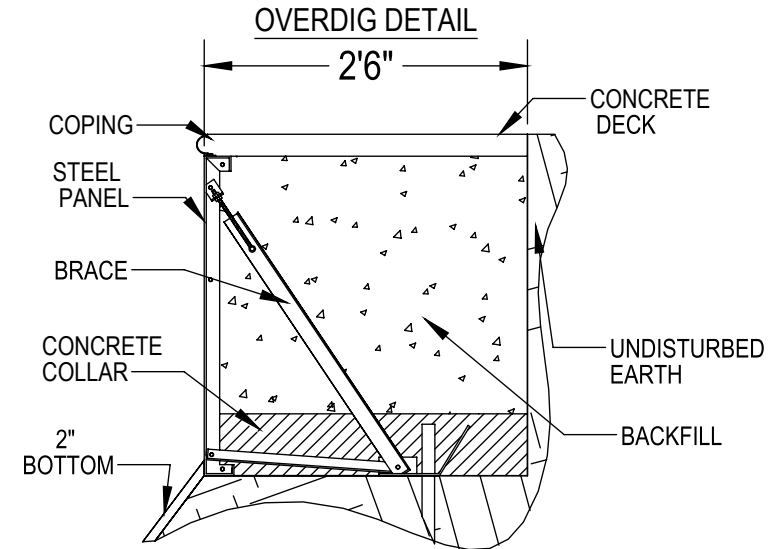
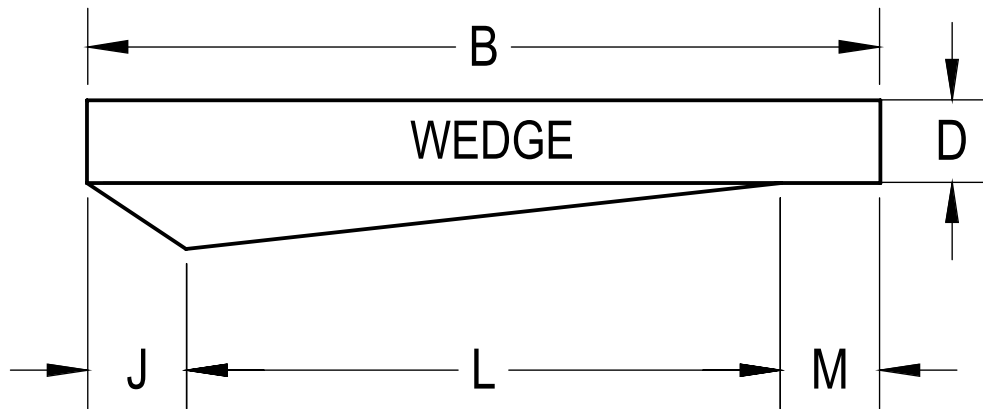
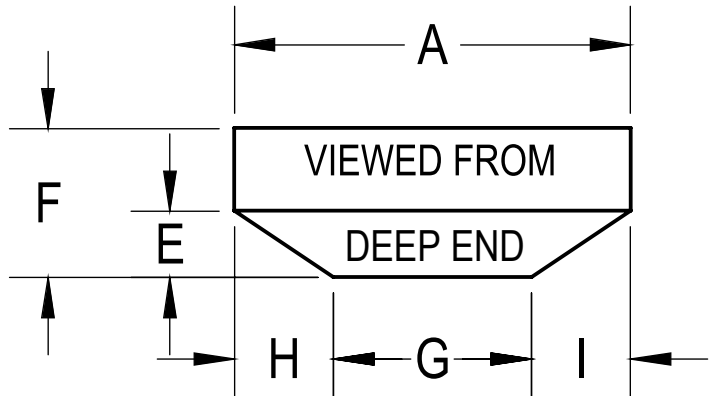
IMPORTANT NOTES:

THIS DOCUMENT IS FOR ILLUSTRATIVE PURPOSES ONLY. THE DEALER OR CONTRACTOR WHO SELLS OR INSTALLS YOUR POOL IS AN INDEPENDENT CONTRACTOR AND IS NOT AN AGENT OF THE MANUFACTURER. THE CONSTRUCTION METHODS ILLUSTRATED HERE ARE SUGGESTIONS AND APPLY ONLY TO NORMAL GROUND CONDITIONS. THERE MAY BE ADDITIONAL PRECAUTIONS AND/OR METHODS OF CONSTRUCTION. PROPER INSTALLATION IS THE RESPONSIBILITY OF THE DEALER/ BUILDER/CONTRACTOR.

ITEM NO.	PART NUMBER	DESCRIPTION	QTY.
1	HPS108AG	8' AG PANEL	2
2	HPSFOB	STEEL BRACE	18
3	HPSD108P	8' PLAIN PANEL	7
4	HPS45I	45° INSERT	8
5	HPSD106P	6' PLAIN PANEL	4
6	HPSD108L	8' LIGHT PANEL	1
7	HPSD102P	2' PLAIN PANEL	4
8	HPS1916	BOLT PACK 50 PCS	6

ENGINEERING DRAWING NUMBER: 00000840	WEIGHT: 86.515 lbs	UNLESS OTHERWISE SPECIFIED DIMENSIONS ARE IN INCHES TOLERANCES DECIMALS: X ± 0.1 XX ± 0.01 XXX ± 0.005 XXXX ± 0.0005 ANGULAR: X ± 0.5 THIRD ANGLE PROJECTION 	DESIGNED BY: RCOLBOCH	<h2>PoolWarehouse</h2> <p>...we know swimming pools</p>
	VOLUME: 2394.720 Inch ³		DETAILED BY: Rcolboch	
	COLOR: NA		LAST REVISED BY: rcolboch	
	HEAT TREAT: NA		MATERIAL: Material <not specified>	
FINISH: NA	TITLE: 20'6" X 40'6" GRECIAN WEDGE		PART NUMBER: 60242	
TEXTURE: NA	SCALE: 1:96		SIZE: B	
	SHEET: 1 OF 1			

A	20'-6"	K	
B	40'-6"	L	32'0"
D	3'4"	M	4'3"
E	2'-8"	M2	
F	6'0"	T	12'
G	12'0"	S	6'
H	4'3"	N	
I	4'3"	P	
J	4'3"	U	32'



NOTES:

1. THESE ARE FINISHED DIMENSIONS READY FOR THE LINER.
2. DIMENSIONS ARE FROM INSIDE POOL PANELS.
3. THE IDEAL WATER LEVEL SHOULD BE TO THE MIDDLE OF THE SKIMMER OPENING(S).

EXCAVATION NOTES:

4. ROUGH EXCAVATION SHOULD BE 2" DEEPER IN EACH INSTANCE
5. SOIL TO HAVE MINIMUM BEARING CAPACITY OF 2000 PSF.
6. LOCATE TOP OF POOL AT LEAST 6" ABOVE THE SURROUNDING LAND ELEVATION
7. SEE "OVER DIG DETAIL" FOR EXCAVATION AROUND POOL.
8. FILL VOIDS UNDER BASE OF PANELS AND TAMP WELL.
9. BACK FILL WITH NON-EXPANSIVE MATERIAL

IMPORTANT NOTES:

THIS DOCUMENT IS FOR ILLUSTRATIVE PURPOSES ONLY. THE DEALER OR CONTRACTOR WHO SELLS OR INSTALLS YOUR POOL IS AN INDEPENDENT CONTRACTOR AND IS NOT AN AGENT OF THE MANUFACTURER. THE CONSTRUCTION METHODS ILLUSTRATED HERE ARE SUGGESTIONS AND APPLY ONLY TO NORMAL GROUND CONDITIONS. THERE MAY BE ADDITIONAL PRECAUTIONS AND/OR METHODS OF CONSTRUCTION. PROPER INSTALLATION IS THE RESPONSIBILITY OF THE DEALER/BUILDER/CONTRACTOR.

SQ FOOT 830
 PERIMETER 112' 1"
 GALLONS 24976

PANEL LEGEND



ENGINEERING DRAWING NUMBER: 00000840	WEIGHT: 86.515 lbs	UNLESS OTHERWISE SPECIFIED DIMENSIONS ARE IN INCHES TOLERANCES DECIMALS: X ± 0.1 XX ± 0.01 XXX ± 0.005 XXXX ± 0.0005 ANGULAR: X ± 0.5 THIRD ANGLE PROJECTION 	DESIGNED BY: RCOLBOCH	<h1>PoolWarehouse</h1> <p>...we know swimming pools</p>	
	VOLUME: 2394.720 Inch ³		DETAILED BY: Rcolboch		
	COLOR: NA		LAST REVISED BY: rcolboch		
	HEAT TREAT: NA		MATERIAL: Material <not specified>		
FINISH: NA			TITLE: 20'6" X 40'6" GRECIAN WEDGE		
TEXTURE: NA			PART NUMBER: 60242	SCALE: 1:96 SHEET: 1 OF 1	SIZE: B *

NO DIVING WARNING:
 ATTENTION DEALER/BUILDER:
 It is your responsibility to ensure the safety package provided is delivered to the pool wonder and that the "NO DIVING" labels are properly installed.



"NO DIVING" WARNING LABELS MUST BE INSTALLED IN NO DIVING AREAS ACCORDING TO ANSI SPECIFICATIONS