

**NOTES:**

1. THESE ARE FINISHED DIMENSIONS READY FOR THE LINER.
2. DIMENSIONS ARE FROM INSIDE POOL PANELS.
3. THE IDEAL WATER LEVEL SHOULD BE TO THE MIDDLE OF THE SKIMMER OPENING(S).

**EXCAVATION NOTES:**

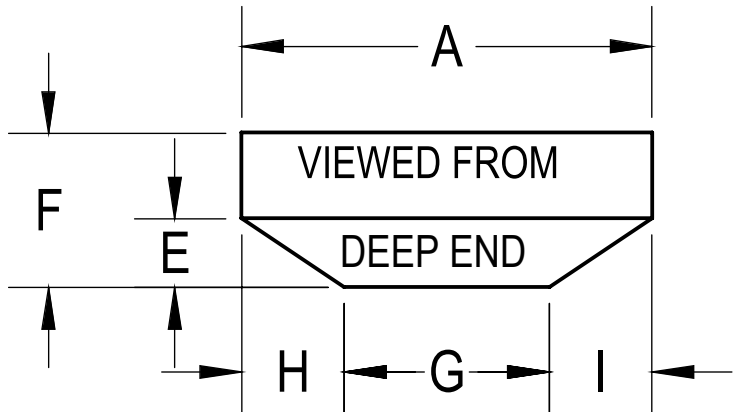
4. ROUGH EXCAVATION SHOULD BE 2" DEEPER IN EACH INSTANCE
5. SOIL TO HAVE MINIMUM BEARING CAPACITY OF 2000 PSF.
6. LOCATE TOP OF POOL AT LEAST 6" ABOVE THE SURROUNDING LAND ELEVATION
7. SEE "OVER DIG DETAIL" FOR EXCAVATION AROUND POOL.
8. FILL VOIDS UNDER BASE OF PANELS AND TAMP WELL.
9. BACK FILL WITH NON-EXPANSIVE MATERIAL

**IMPORTANT NOTES:**

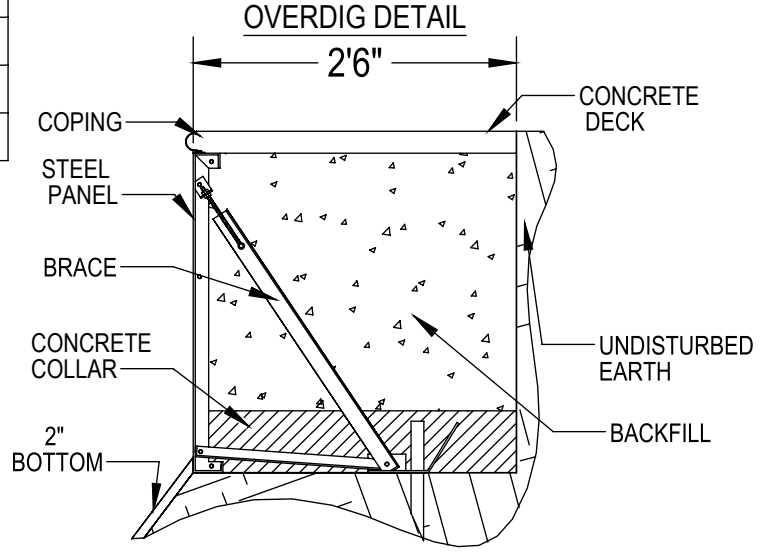
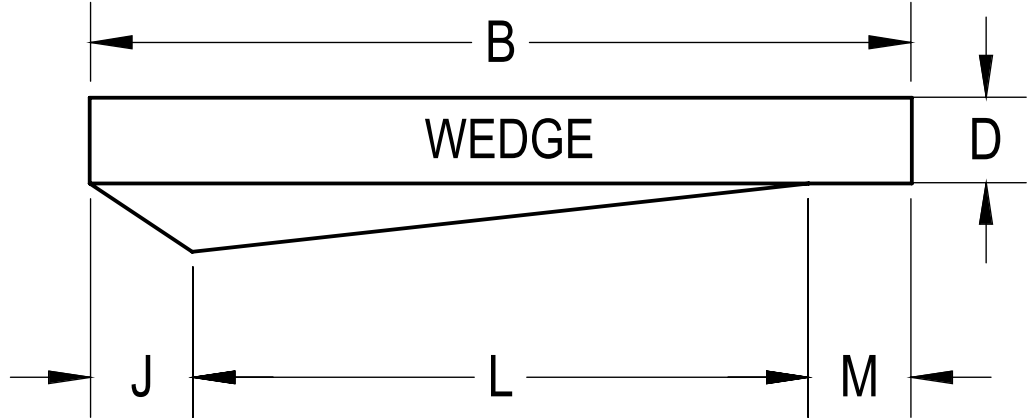
THIS DOCUMENT IS FOR ILLUSTRATIVE PURPOSES ONLY. THE DEALER OR CONTRACTOR WHO SELLS OR INSTALLS YOUR POOL IS AN INDEPENDENT CONTRACTOR AND IS NOT AN AGENT OF THE MANUFACTURER. THE CONSTRUCTION METHODS ILLUSTRATED HERE ARE SUGGESTIONS AND APPLY ONLY TO NORMAL GROUND CONDITIONS. THERE MAY BE ADDITIONAL PRECAUTIONS AND/OR METHODS OF CONSTRUCTION. PROPER INSTALLATION IS THE RESPONSIBILITY OF THE DEALER/ BUILDER/CONTRACTOR.

| ITEM NO. | PART NUMBER | DESCRIPTION        | QTY. |
|----------|-------------|--------------------|------|
| 1        | HPSD108P    | 8' PLAIN PANEL     | 8    |
| 2        | HPSFOB      | STEEL BRACE        | 17   |
| 3        | HPSD108L    | 8' LIGHT PANEL     | 1    |
| 4        | HPSD108AG   | 8' AG PANEL        | 2    |
| 5        | HPSD106P    | 6' PLAIN PANEL     | 4    |
| 6        | HPSD104P    | 4' PLAIN PANEL     | 2    |
| 7        | HPS6CA      | 6" CORNER ASSEMBLY | 4    |
| 8        | HPS1916     | BOLT PACK 50 PCS   | 5    |

|  |                                    |   |                                       |   |
|--|------------------------------------|---|---------------------------------------|---|
| ENGINEERING DRAWING NUMBER:<br><b>00000794</b> | WEIGHT:<br>86.515 lbs              | <b>UNLESS OTHERWISE SPECIFIED</b><br>DIMENSIONS ARE IN INCHES<br>TOLERANCES<br>DECIMALS: X ± 0.1<br>XX ± 0.01<br>XXX ± 0.005<br>XXXX ± 0.0005<br><br>ANGULAR: X ± 0.5<br>THIRD ANGLE PROJECTION<br> | DESIGNED BY:<br>RCOLBOCH              | <h2>PoolWarehouse</h2> <p>...we know swimming pools</p> |
|  | VOLUME:<br>2394.720 Inch³          |   | DETAILED BY:<br>Rcolboch              |   |
|  | COLOR:<br>NA                       |   | LAST REVISED BY:<br>rcolboch          |   |
|  | HEAT TREAT:<br>NA                  |   | MATERIAL:<br>Material <not specified> |   |
| FINISH:<br>NA                                  | TITLE:<br>20' X 40' RECTANGLE 6" R |   | PART NUMBER:<br><b>60161</b>          |   |
| TEXTURE:<br>NA                                 | SCALE:<br>1:96                     |   | SIZE:<br><b>B</b> *                   |   |
|  | SHEET:<br>1 OF 1                   |   |                                       |   |



|   |       |    |       |
|---|-------|----|-------|
| A | 20'   | K  |       |
| B | 40'   | L  | 35'0" |
| D | 3'4"  | M  | 1'0"  |
| E | 2'-8" | M2 |       |
| F | 6'0"  | T  |       |
| G | 12'0" | S  |       |
| H | 4'0"  | N  |       |
| I | 4'0"  | P  |       |
| J | 4'0"  | U  |       |



**NOTES:**

1. THESE ARE FINISHED DIMENSIONS READY FOR THE LINER.
2. DIMENSIONS ARE FROM INSIDE POOL PANELS.
3. THE IDEAL WATER LEVEL SHOULD BE TO THE MIDDLE OF THE SKIMMER OPENING(S).

**EXCAVATION NOTES:**

4. ROUGH EXCAVATION SHOULD BE 2" DEEPER IN EACH INSTANCE
5. SOIL TO HAVE MINIMUM BEARING CAPACITY OF 2000 PSF.
6. LOCATE TOP OF POOL AT LEAST 6" ABOVE THE SURROUNDING LAND ELEVATION
7. SEE "OVER DIG DETAIL" FOR EXCAVATION AROUND POOL.
8. FILL VOIDS UNDER BASE OF PANELS AND TAMP WELL.
9. BACK FILL WITH NON-EXPANSIVE MATERIAL

**IMPORTANT NOTES:**

THIS DOCUMENT IS FOR ILLUSTRATIVE PURPOSES ONLY. THE DEALER OR CONTRACTOR WHO SELLS OR INSTALLS YOUR POOL IS AN INDEPENDENT CONTRACTOR AND IS NOT AN AGENT OF THE MANUFACTURER. THE CONSTRUCTION METHODS ILLUSTRATED HERE ARE SUGGESTIONS AND APPLY ONLY TO NORMAL GROUND CONDITIONS. THERE MAY BE ADDITIONAL PRECAUTIONS AND/OR METHODS OF CONSTRUCTION. PROPER INSTALLATION IS THE RESPONSIBILITY OF THE DEALER/BUILDER/CONTRACTOR.

SQ FOOT 800  
PERIMETER 119'2"  
GALLONS 25793

**PANEL LEGEND**



**NO DIVING WARNING:**  
ATTENTION DEALER/BUILDER:  
It is your responsibility to ensure the safety package provided is delivered to the pool wonder and that the "NO DIVING" labels are properly installed.



"NO DIVING" WARNING LABELS MUST BE INSTALLED IN NO DIVING AREAS ACCORDING TO ANSI SPECIFICATIONS

|  |                                       |   |                              |  |   |                |                     |
|--|---------------------------------------|---|------------------------------|--|---|----------------|---------------------|
| ENGINEERING DRAWING NUMBER:<br><b>00000794</b> | WEIGHT:<br>86.515 lbs                 | <b>UNLESS OTHERWISE SPECIFIED</b><br>DIMENSIONS ARE IN INCHES<br>TOLERANCES<br>DECIMALS: X ± 0.1<br>XX ± 0.01<br>XXX ± 0.005<br>XXXX ± 0.0005<br><br>ANGULAR: X ± 0.5<br>THIRD ANGLE PROJECTION<br> | DESIGNED BY:<br>RCOLBOCH     | <b>PoolWarehouse</b><br><i>...we know swimming pools</i> |   |                |                     |
|  | VOLUME:<br>2394.720 Inch <sup>3</sup> |   | DETAILED BY:<br>Rcolboch     |  | TITLE:<br><b>20' X 40' RECTANGLE 6" R</b> |                |                     |
|  | COLOR:<br>NA                          |   | LAST REVISED BY:<br>rcolboch | MATERIAL:<br>Material <not specified>                    | PART NUMBER:<br><b>60161</b>              | SCALE:<br>1:96 | SIZE:<br><b>B</b> * |
|  | HEAT TREAT:<br>NA                     |   | FINISH:<br>NA                | TEXTURE:<br>NA   | SHEET:<br>1 OF 1                          |                |                     |