

NOTES:

1. THESE ARE FINISHED DIMENSIONS READY FOR THE LINER.
2. DIMENSIONS ARE FROM INSIDE POOL PANELS.
3. THE IDEAL WATER LEVEL SHOULD BE TO THE MIDDLE OF THE SKIMMER OPENING(S).

EXCAVATION NOTES:

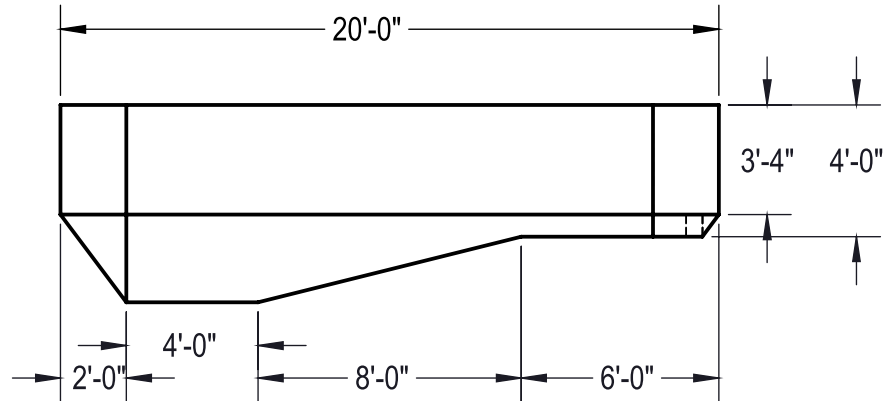
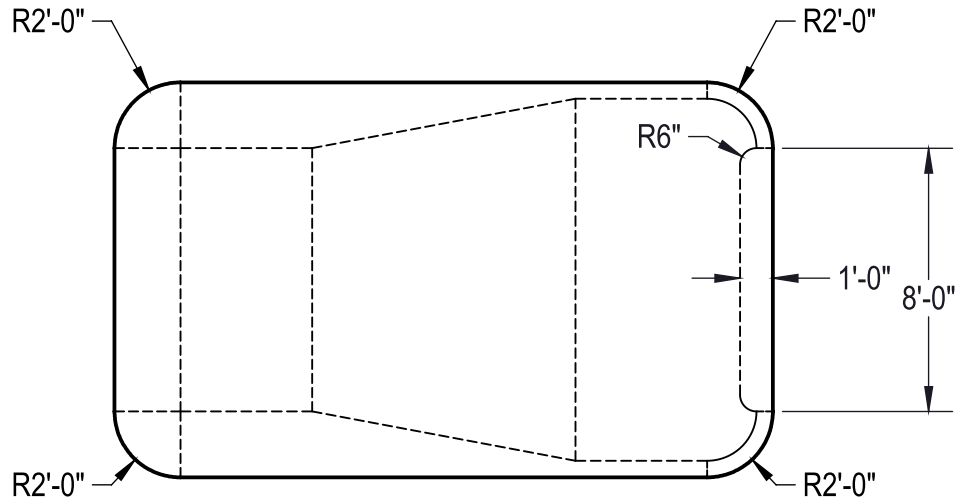
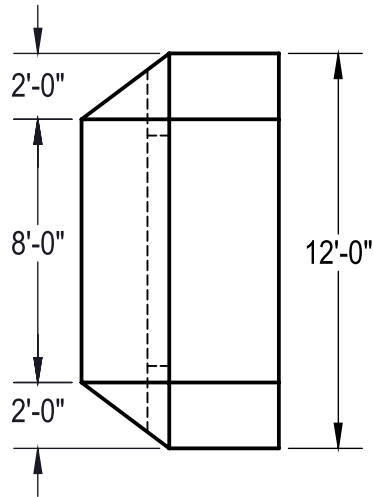
4. ROUGH EXCAVATION SHOULD BE 2" DEEPER IN EACH INSTANCE
5. SOIL TO HAVE MINIMUM BEARING CAPACITY OF 2000 PSF.
6. LOCATE TOP OF POOL AT LEAST 6" ABOVE THE SURROUNDING LAND ELEVATION
7. SEE "OVER DIG DETAIL" FOR EXCAVATION AROUND POOL.
8. FILL VOIDS UNDER BASE OF PANELS AND TAMP WELL.
9. BACK FILL WITH NON-EXPANSIVE MATERIAL

IMPORTANT NOTES:

THIS DOCUMENT IS FOR ILLUSTRATIVE PURPOSES ONLY. THE DEALER OR CONTRACTOR WHO SELLS OR INSTALLS YOUR POOL IS AN INDEPENDENT CONTRACTOR AND IS NOT AN AGENT OF THE MANUFACTURER. THE CONSTRUCTION METHODS ILLUSTRATED HERE ARE SUGGESTIONS AND APPLY ONLY TO NORMAL GROUND CONDITIONS. THERE MAY BE ADDITIONAL PRECAUTIONS AND/OR METHODS OF CONSTRUCTION. PROPER INSTALLATION IS THE RESPONSIBILITY OF THE DEALER/ BUILDER/CONTRACTOR.

ITEM	FILE NAME	DESCRIPTION	CUSTOMER DRAWING #	VENDOR PART #	QTY.	VENDOR NAME	MATERIAL
1	PANEL, 2' RADIUS	PANEL, 2' RADIUS - 200 SERIES	HP252M	HP252M	4	HYDRA POOLS	PS
2	PANEL, 4' LONG WITH LIGHT	PANEL, 4' LONG WITH LIGHT - 200 SERIES	HP204L	HP204L	1	HYDRA POOLS	PS
3	PANEL, 2' LONG	PANEL, 2' LONG - 200 SERIES	HP202	HP202	2	HYDRA POOLS	PS
4	PANEL, 6' LONG	PANEL, 6' LONG - 200 SERIES	HP206	HP206	4	HYDRA POOLS	PS
5	PANEL, 4' LONG WITH 1084	PANEL, 4' LONG WITH 1084 SKIMMER - 200 SERIES	HP2044	HP2044	1	HYDRA POOLS	PS
6	PANEL, 4' LONG	PANEL, 4' LONG - 200 SERIES	HP204	HP204	1	HYDRA POOLS	PS
7	BRACE	BRACE, 4 TAB, HYDRA - 200 SERIES	HP299	HP299	16	HYDRA POOLS	PS
8	HS105N	STEP, 6' STRAIGHT, .4 TREAD	HS105N	HS105N	1	HYDRA POOLS	ABS
9	PANEL, 1' LONG	PANEL, 1' LONG - 200 SERIES	HP201	HP201	2	HYDRA POOLS	PS

ENGINEERING DRAWING NUMBER: 00009860	WEIGHT: 86.515 lbs	UNLESS OTHERWISE SPECIFIED DIMENSIONS ARE IN INCHES TOLERANCES DECIMALS: X ± 0.1 XX ± 0.01 XXX ± 0.005 XXXX ± 0.0005 ANGULAR: X ± 0.5 THIRD ANGLE PROJECTION 	DESIGNED BY: RCOLBOCH	<h2>PoolWarehouse</h2> <p>...we know swimming pools</p>	
	VOLUME: 2394.720 Inch ³		DETAILED BY: Rcolboch		
	COLOR: NA		LAST REVISED BY: rcolboch		
	HEAT TREAT: NA		MATERIAL: Material <not specified>		
FINISH: NA	TITLE: LAYOUT, 12' X 20', RECTANGLE, 2' RADIUS, 6' DEEP, 4' SHALLOW, HS105N, 3 BRACES 1084, 200 SERIES		PART NUMBER: 00009860	SCALE: 1:96 SHEET: 1 OF 1	SIZE: B *



NOTES:

1. THESE ARE FINISHED DIMENSIONS READY FOR THE LINER.
2. DIMENSIONS ARE FROM INSIDE POOL PANELS.
3. THE IDEAL WATER LEVEL SHOULD BE TO THE MIDDLE OF THE SKIMMER OPENING(S).

EXCAVATION NOTES:

4. ROUGH EXCAVATION SHOULD BE 2" DEEPER IN EACH INSTANCE
5. SOIL TO HAVE MINIMUM BEARING CAPACITY OF 2000 PSF.
6. LOCATE TOP OF POOL AT LEAST 6" ABOVE THE SURROUNDING LAND ELEVATION
7. SEE "OVER DIG DETAIL" FOR EXCAVATION AROUND POOL.
8. FILL VOIDS UNDER BASE OF PANELS AND TAMP WELL.
9. BACK FILL WITH NON-EXPANSIVE MATERIAL

IMPORTANT NOTES:

THIS DOCUMENT IS FOR ILLUSTRATIVE PURPOSES ONLY. THE DEALER OR CONTRACTOR WHO SELLS OR INSTALLS YOUR POOL IS AN INDEPENDENT CONTRACTOR AND IS NOT AN AGENT OF THE MANUFACTURER. THE CONSTRUCTION METHODS ILLUSTRATED HERE ARE SUGGESTIONS AND APPLY ONLY TO NORMAL GROUND CONDITIONS. THERE MAY BE ADDITIONAL PRECAUTIONS AND/OR METHODS OF CONSTRUCTION. PROPER INSTALLATION IS THE RESPONSIBILITY OF THE DEALER/BUILDER/CONTRACTOR.

NO DIVING WARNING:
ATTENTION DEALER/BUILDER:
 It is your responsibility to ensure the safety package provided is delivered to the pool wonder and that the "NO DIVING" labels are properly installed.



"NO DIVING" WARNING LABELS MUST BE INSTALLED IN NO DIVING AREAS ACCORDING TO ANSI SPECIFICATIONS

PANEL LEGEND



SQ FOOT 236

ENGINEERING DRAWING NUMBER: 00009860	WEIGHT: 86.515 lbs	UNLESS OTHERWISE SPECIFIED DIMENSIONS ARE IN INCHES TOLERANCES DECIMALS: X ± 0.1 XX ± 0.01 XXX ± 0.005 XXXX ± 0.0005 ANGULAR: X ± 0.5 THIRD ANGLE PROJECTION 	DESIGNED BY: RCOLBOCH	<h1>PoolWarehouse</h1> <p>...we know swimming pools</p>	
	VOLUME: 2394.720 Inch ³		DETAILED BY: Rcolboch		
	COLOR: NA		LAST REVISED BY: rcolboch		
	HEAT TREAT: NA		MATERIAL: Material <not specified>		
FINISH: NA			TITLE: LAYOUT, 12' X 20', RECTANGLE, 2' RADIUS, 6' DEEP, 4' SHALLOW, HS105N, SIBS 1084, 200 SERIES		
TEXTURE: NA			PART NUMBER: <h2 style="text-align: center;">00009860</h2>	SCALE: 1:96 SHEET: 1 OF 1	SIZE: <h1 style="text-align: center;">B</h1>