

**NOTES:**

1. THESE ARE FINISHED DIMENSIONS READY FOR THE LINER.
2. DIMENSIONS ARE FROM INSIDE POOL PANELS.
3. THE IDEAL WATER LEVEL SHOULD BE TO THE MIDDLE OF THE SKIMMER OPENING(S).

**EXCAVATION NOTES:**

4. ROUGH EXCAVATION SHOULD BE 2" DEEPER IN EACH INSTANCE
5. SOIL TO HAVE MINIMUM BEARING CAPACITY OF 2000 PSF.
6. LOCATE TOP OF POOL AT LEAST 6" ABOVE THE SURROUNDING LAND ELEVATION
7. SEE "OVER DIG DETAIL" FOR EXCAVATION AROUND POOL.
8. FILL VOIDS UNDER BASE OF PANELS AND TAMP WELL.
9. BACK FILL WITH NON-EXPANSIVE MATERIAL

**IMPORTANT NOTES:**

THIS DOCUMENT IS FOR ILLUSTRATIVE PURPOSES ONLY. THE DEALER OR CONTRACTOR WHO SELLS OR INSTALLS YOUR POOL IS AN INDEPENDENT CONTRACTOR AND IS NOT AN AGENT OF THE MANUFACTURER. THE CONSTRUCTION METHODS ILLUSTRATED HERE ARE SUGGESTIONS AND APPLY ONLY TO NORMAL GROUND CONDITIONS. THERE MAY BE ADDITIONAL PRECAUTIONS AND/OR METHODS OF CONSTRUCTION. PROPER INSTALLATION IS THE RESPONSIBILITY OF THE DEALER/ BUILDER/CONTRACTOR.

ITEM	FILE NAME	DESCRIPTION	CUSTOMER DRAWING #	VENDOR PART #	QTY.	VENDOR NAME	MATERIAL
1	PANEL, STRAIGHT	PANEL, 8' LONG, 700 SERIES	HPSE108P	00004961	5	STEEL	
2	BOLT, PACK	BOLT, FLANGE, 3/8-16 X 1", PACK (50)	HPS1916	HPS1916	6		AISI 1020
3	SBRACE	BRACE, FOLD OVER WITH TURNBUCKLE, STEEL, HPSEFOB, 700 SERIES	HPSEFOB	00005491	12	STEEL	
4	PANEL, RADIUS	PANEL, 2' RADIUS, 37.7" LONG, 700 SERIES	HPSE2R	00002541	4	STEEL	
5	PANEL, STRAIGHT	PANEL, 4' LONG, 700 SERIES	HPSE104P	00002723	1	STEEL	
6	PANEL, STRAIGHT	PANEL, 4' LONG, 1085, 700 SERIES		00005936	1	STEEL	
7	HS107N	8' 3 TREAD STRAIGHT	HS107N	HS107N	1	HYDRA POOLS	ABS

ENGINEERING DRAWING NUMBER:  
**00005934**

WEIGHT: lbs	UNLESS OTHERWISE SPECIFIED DIMENSIONS ARE IN INCHES TOLERANCES DECIMALS: X ± 0.1 XX ± 0.01 XXX ± 0.005 XXXX ± 0.0005  ANGULAR: X ± 0.5 THIRD ANGLE PROJECTION
VOLUME: Inch <sup>3</sup>	
COLOR:	
HEAT TREAT:	
FINISH: TEXTURE:	

DESIGNED BY: <b>JBOSSERDET</b>	CREATION DATE: 4/9/2013
DETAILED BY: <b>JBOSSERDET</b>	DETAILED DATE: 10/5/2012
LAST REVISED BY: <b>jbosserdet</b>	LAST REVISED DATE: 5/12/2014
MATERIAL:	

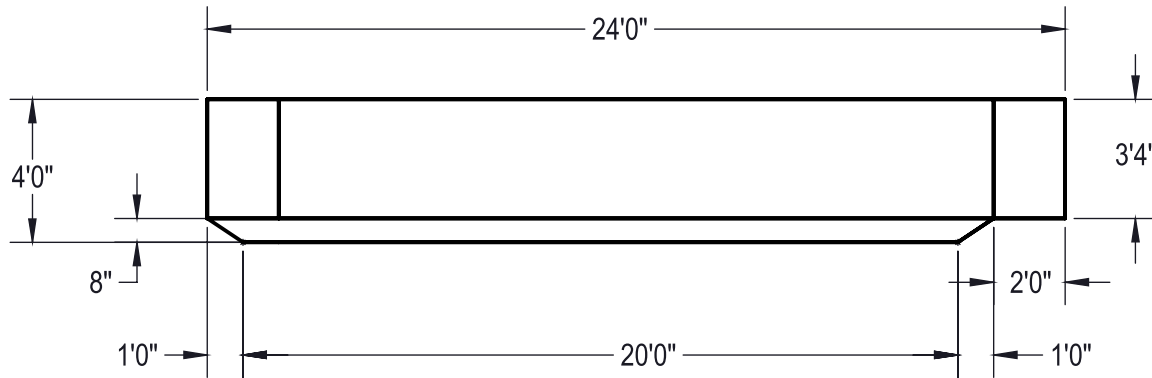
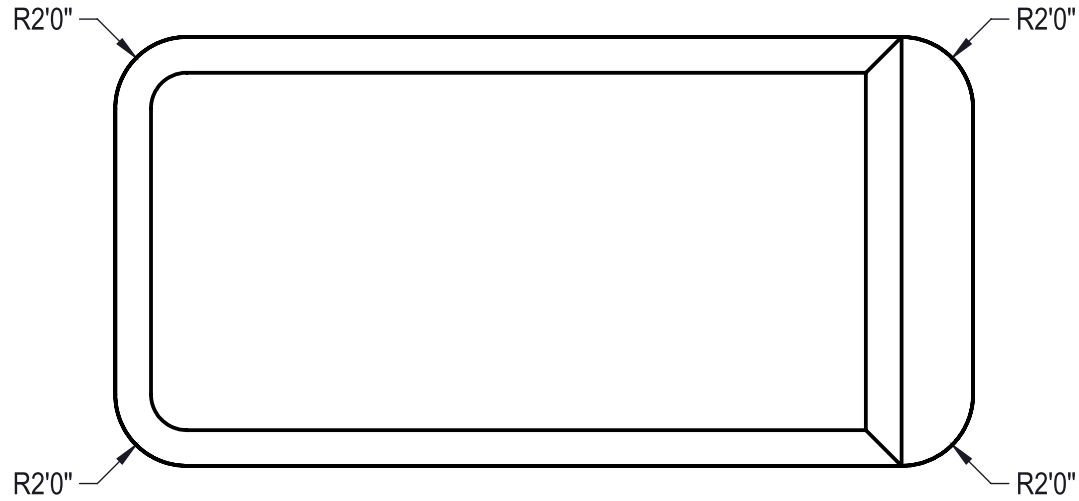
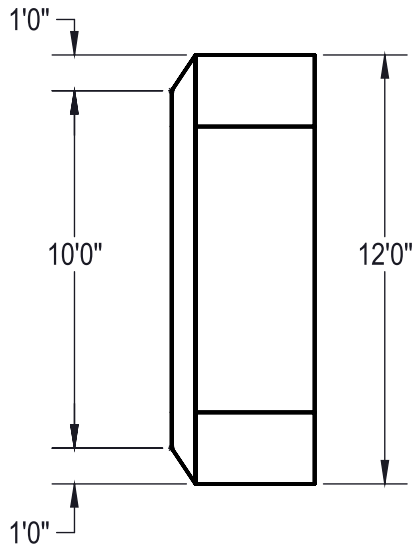
## PoolWarehouse

*we know swimming pools*

**TITLE: LAYOUT, 12' X 24' RECTANGLE, 2' RADIUS, 4' DEEP, 1' COVE, FLAT BOTTOM, HS107N, 1085, 700 SERIES**

PART NUMBER: **NA**

SCALE: 1:128	SIZE: <b>A</b>
SHEET: 1 OF 2	



**NOTES:**

1. THESE ARE FINISHED DIMENSIONS READY FOR THE LINER.
2. DIMENSIONS ARE FROM INSIDE POOL PANELS.
3. THE IDEAL WATER LEVEL SHOULD BE TO THE MIDDLE OF THE SKIMMER OPENING(S).

**EXCAVATION NOTES:**

4. ROUGH EXCAVATION SHOULD BE 2" DEEPER IN EACH INSTANCE
5. SOIL TO HAVE MINIMUM BEARING CAPACITY OF 2000 PSF.
6. LOCATE TOP OF POOL AT LEAST 6" ABOVE THE SURROUNDING LAND ELEVATION
7. SEE "OVER DIG DETAIL" FOR EXCAVATION AROUND POOL.
8. FILL VOIDS UNDER BASE OF PANELS AND TAMP WELL.
9. BACK FILL WITH NON-EXPANSIVE MATERIAL

**IMPORTANT NOTES:**

THIS DOCUMENT IS FOR ILLUSTRATIVE PURPOSES ONLY. THE DEALER OR CONTRACTOR WHO SELLS OR INSTALLS YOUR POOL IS AN INDEPENDENT CONTRACTOR AND IS NOT AN AGENT OF THE MANUFACTURER. THE CONSTRUCTION METHODS ILLUSTRATED HERE ARE SUGGESTIONS AND APPLY ONLY TO NORMAL GROUND CONDITIONS. THERE MAY BE ADDITIONAL PRECAUTIONS AND/OR METHODS OF CONSTRUCTION. PROPER INSTALLATION IS THE RESPONSIBILITY OF THE DEALER/BUILDER/CONTRACTOR.

Area: 285ft <sup>2</sup>  
Perimeter: 69ft

**PANEL LEGEND**



**NO DIVING WARNING:**  
ATTENTION DEALER/BUILDER:  
It is your responsibility to ensure the safety package provided is delivered to the pool wonder and that the "NO DIVING" labels are properly installed.



"NO DIVING" WARNING LABELS MUST BE INSTALLED IN NO DIVING AREAS ACCORDING TO ANSI SPECIFICATIONS

ENGINEERING DRAWING NUMBER: <b>00005934</b>	WEIGHT:	UNLESS OTHERWISE SPECIFIED	DESIGNED BY:	CREATION DATE:	<b>PoolWarehouse</b> <i>we know swimming pools</i>		
	lbs	DIMENSIONS ARE IN INCHES	JBOSSERDET	4/9/2013			
	VOLUME:	TOLERANCES	DETAILED BY:	DETAILED DATE:	TITLE: <b>LAYOUT, 12' X 24' RECTANGLE, 2' RADIUS, 4' DEEP, 1' COVE, FLAT BOTTOM, HS107N, 1085, 700 SERIES</b>		
	Inch <sup>3</sup>	DECIMALS: X ± 0.1 XX ± 0.01 XXX ± 0.005 XXXX ± 0.0005	JBOSSERDET	10/5/2012			
COLOR:	ANGULAR: X ± 0.5	LAST REVISED BY:	LAST REVISED DATE:	PART NUMBER: <b>NA</b>			
HEAT TREAT:	THIRD ANGLE PROJECTION	jbosserdet	5/12/2014				
FINISH:		MATERIAL:		SCALE:	1:128	SIZE:	A
TEXTURE:				SHEET:	1 OF 2		