

NOTES:

1. THESE ARE FINISHED DIMENSIONS READY FOR THE LINER.
2. DIMENSIONS ARE FROM INSIDE POOL PANELS.
3. THE IDEAL WATER LEVEL SHOULD BE TO THE MIDDLE OF THE SKIMMER OPENING(S).

EXCAVATION NOTES:

4. ROUGH EXCAVATION SHOULD BE 2" DEEPER IN EACH INSTANCE
5. SOIL TO HAVE MINIMUM BEARING CAPACITY OF 2000 PSF.
6. LOCATE TOP OF POOL AT LEAST 6" ABOVE THE SURROUNDING LAND ELEVATION
7. SEE "OVER DIG DETAIL" FOR EXCAVATION AROUND POOL.
8. FILL VOIDS UNDER BASE OF PANELS AND TAMP WELL.
9. BACK FILL WITH NON-EXPANSIVE MATERIAL

IMPORTANT NOTES:

THIS DOCUMENT IS FOR ILLUSTRATIVE PURPOSES ONLY. THE DEALER OR CONTRACTOR WHO SELLS OR INSTALLS YOUR POOL IS AN INDEPENDENT CONTRACTOR AND IS NOT AN AGENT OF THE MANUFACTURER. THE CONSTRUCTION METHODS ILLUSTRATED HERE ARE SUGGESTIONS AND APPLY ONLY TO NORMAL GROUND CONDITIONS. THERE MAY BE ADDITIONAL PRECAUTIONS AND/OR METHODS OF CONSTRUCTION. PROPER INSTALLATION IS THE RESPONSIBILITY OF THE DEALER/ BUILDER/CONTRACTOR.

ITEM	FILE NAME	DESCRIPTION	CUSTOMER DRAWING #	VENDOR PART #	QTY.	VENDOR NAME	MATERIAL
1	PANEL, STRAIGHT	PANEL, 8' LONG, 700 SERIES	HPSE108P	00004961	1	STEEL	
2	BOLT, PACK	BOLT, FLANGE, 3/8-16 X 1", PACK (50)	HPS1916	HPS1916	6		AISI 1020
3	PANEL, RADIUS	PANEL, 2' RADIUS, 37.7" LONG, 700 SERIES	HPSE2R	00002541	4	STEEL	
4	PANEL, STRAIGHT	PANEL, 4' LONG, 700 SERIES	HPSE104P	00002723	1	STEEL	
5	PANEL, STRAIGHT	PANEL, 4' LONG, 1085, 700 SERIES		00005936	1	STEEL	
6	HS107N	8' 3 TREAD STRAIGHT	HS107N	HS107N	1	HYDRA POOLS	ABS
7	PANEL, STRAIGHT	PANEL, 8' LONG, LIGHT, 700 SERIES	HPSE108L	00004962	1	STEEL	
8	SBRACE	BRACE, FOLD OVER WITH TURNBUCKLE, STEEL, HPSFOB	HPSFOB	HPSFOB	12	STEEL	
9	PANEL, STRAIGHT	PANEL, 8' LONG, INLET, 700 SERIES	HPSE108I	00004969	3	STEEL	

ENGINEERING DRAWING NUMBER:
00006444

WEIGHT:
lbs
VOLUME:
Inch³
COLOR:
HEAT TREAT:
FINISH:
TEXTURE:

UNLESS OTHERWISE SPECIFIED
DIMENSIONS ARE IN INCHES
TOLERANCES
DECIMALS: X ± 0.1
 XX ± 0.01
 XXX ± 0.005
 XXXX ± 0.0005
ANGULAR: X ± 0.5
THIRD ANGLE PROJECTION

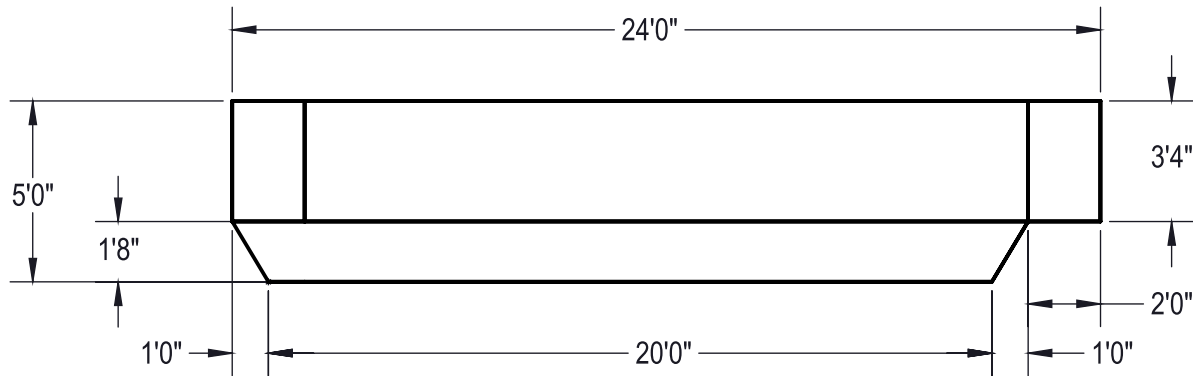
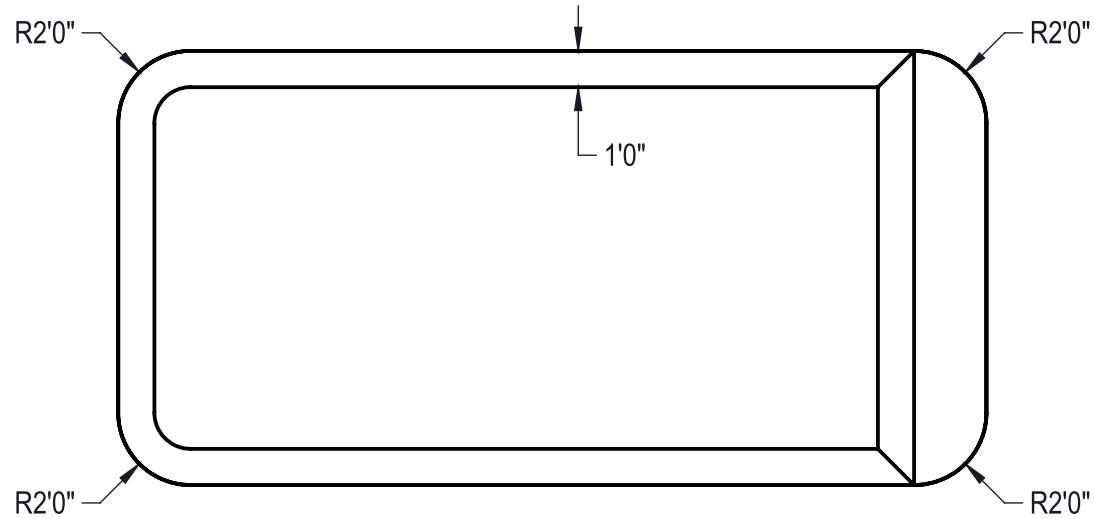
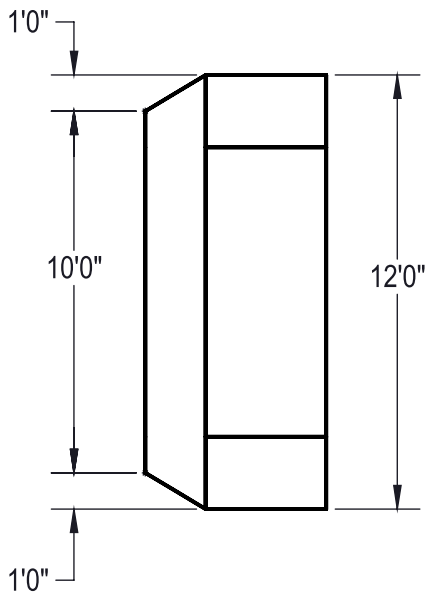
DESIGNED BY:
JBOSSEDET
CREATION DATE:
4/9/2013
DETAILED BY:
JBOSSEDET
DETAILED DATE:
10/5/2012
LAST REVISED BY:
jbossedet
LAST REVISED DATE:
5/12/2014
MATERIAL:

PoolWarehouse
we know swimming pools

TITLE:
LAYOUT, 12' X 24' RECTANGLE, 2'
RADIUS, 5' DEEP, 1' COVE, FLAT
BOTTOM, HS107N, 1085, 700 SERIES

PART NUMBER:
NA

SCALE: 1:128
SHEET: 1 OF 2
SIZE: A



NOTES:

1. THESE ARE FINISHED DIMENSIONS READY FOR THE LINER.
2. DIMENSIONS ARE FROM INSIDE POOL PANELS.
3. THE IDEAL WATER LEVEL SHOULD BE TO THE MIDDLE OF THE SKIMMER OPENING(S).

EXCAVATION NOTES:

4. ROUGH EXCAVATION SHOULD BE 2" DEEPER IN EACH INSTANCE
5. SOIL TO HAVE MINIMUM BEARING CAPACITY OF 2000 PSF.
6. LOCATE TOP OF POOL AT LEAST 6" ABOVE THE SURROUNDING LAND ELEVATION
7. SEE "OVER DIG DETAIL" FOR EXCAVATION AROUND POOL.
8. FILL VOIDS UNDER BASE OF PANELS AND TAMP WELL.
9. BACK FILL WITH NON-EXPANSIVE MATERIAL

IMPORTANT NOTES:

THIS DOCUMENT IS FOR ILLUSTRATIVE PURPOSES ONLY. THE DEALER OR CONTRACTOR WHO SELLS OR INSTALLS YOUR POOL IS AN INDEPENDENT CONTRACTOR AND IS NOT AN AGENT OF THE MANUFACTURER. THE CONSTRUCTION METHODS ILLUSTRATED HERE ARE SUGGESTIONS AND APPLY ONLY TO NORMAL GROUND CONDITIONS. THERE MAY BE ADDITIONAL PRECAUTIONS AND/OR METHODS OF CONSTRUCTION. PROPER INSTALLATION IS THE RESPONSIBILITY OF THE DEALER/BUILDER/CONTRACTOR.

Area: 285ft ²
Perimeter: 69ft

PANEL LEGEND



NO DIVING WARNING:
ATTENTION DEALER/BUILDER:
It is your responsibility to ensure the safety package provided is delivered to the pool wonder and that the "NO DIVING" labels are properly installed.



"NO DIVING" WARNING LABELS MUST BE INSTALLED IN NO DIVING AREAS ACCORDING TO ANSI SPECIFICATIONS

ENGINEERING DRAWING NUMBER: 0006444	WEIGHT: lbs	UNLESS OTHERWISE SPECIFIED DIMENSIONS ARE IN INCHES TOLERANCES DECIMALS: X ± 0.1 XX ± 0.01 XXX ± 0.005 XXXX ± 0.0005 ANGULAR: X ± 0.5 THIRD ANGLE PROJECTION 	DESIGNED BY: JBOSSEDET	CREATION DATE: 4/9/2013	PoolWarehouse <i>we know swimming pools</i> TITLE: LAYOUT, 12' X 24' RECTANGLE, 2' RADIUS, 5' DEEP, 1' COVE, FLAT BOTTOM, HS107N, 1085, 700 SERIES PART NUMBER: NA
	VOLUME: Inch ³		DETAILED BY: JBOSSEDET	DETAILED DATE: 10/5/2012	
	COLOR:		LAST REVISED BY: jbossedet	LAST REVISED DATE: 5/12/2014	
	HEAT TREAT:		MATERIAL:		
FINISH:					SCALE: 1:128
TEXTURE:					SHEET: 1 OF 2
				SIZE: A	