

NOTES:

1. THESE ARE FINISHED DIMENSIONS READY FOR THE LINER.
2. DIMENSIONS ARE FROM INSIDE POOL PANELS.
3. THE IDEAL WATER LEVEL SHOULD BE TO THE MIDDLE OF THE SKIMMER OPENING(S).

EXCAVATION NOTES:

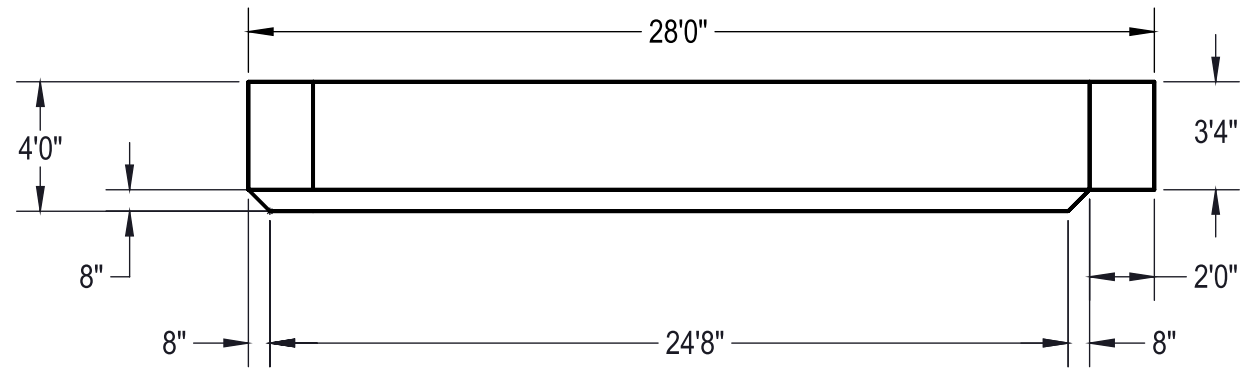
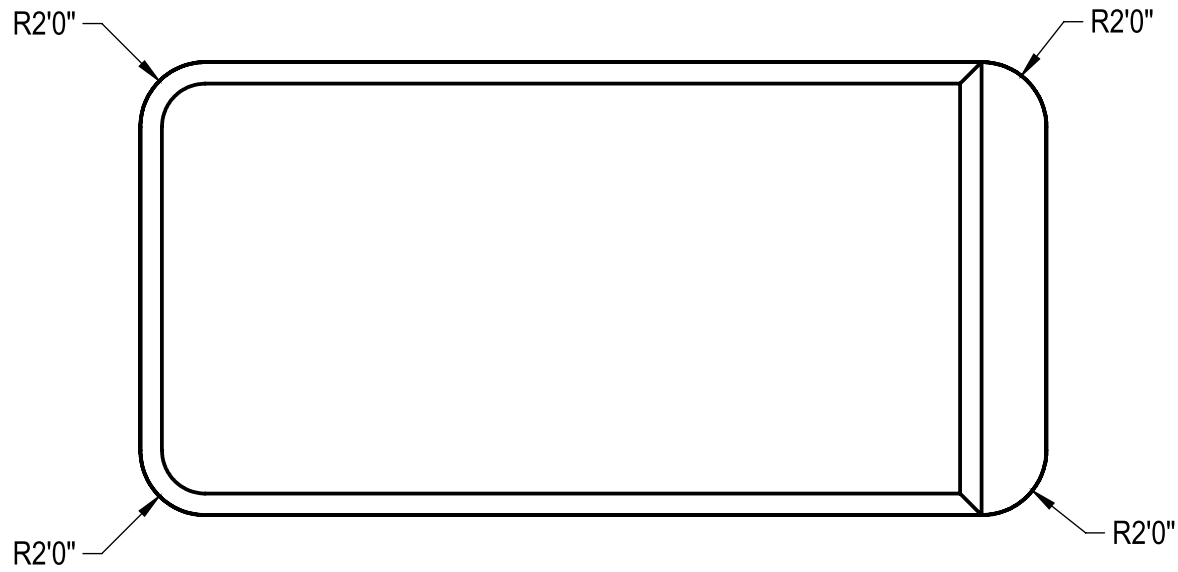
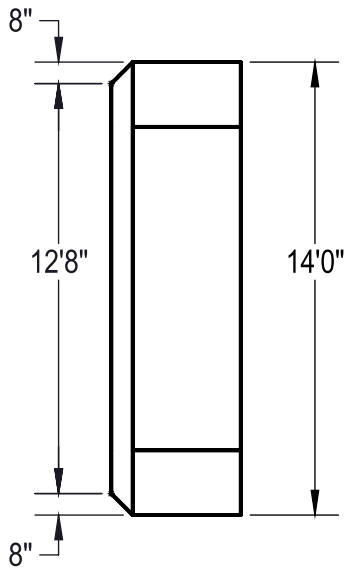
4. ROUGH EXCAVATION SHOULD BE 2" DEEPER IN EACH INSTANCE
5. SOIL TO HAVE MINIMUM BEARING CAPACITY OF 2000 PSF.
6. LOCATE TOP OF POOL AT LEAST 6" ABOVE THE SURROUNDING LAND ELEVATION
7. SEE "OVER DIG DETAIL" FOR EXCAVATION AROUND POOL.
8. FILL VOIDS UNDER BASE OF PANELS AND TAMP WELL.
9. BACK FILL WITH NON-EXPANSIVE MATERIAL

IMPORTANT NOTES:

THIS DOCUMENT IS FOR ILLUSTRATIVE PURPOSES ONLY. THE DEALER OR CONTRACTOR WHO SELLS OR INSTALLS YOUR POOL IS AN INDEPENDENT CONTRACTOR AND IS NOT AN AGENT OF THE MANUFACTURER. THE CONSTRUCTION METHODS ILLUSTRATED HERE ARE SUGGESTIONS AND APPLY ONLY TO NORMAL GROUND CONDITIONS. THERE MAY BE ADDITIONAL PRECAUTIONS AND/OR METHODS OF CONSTRUCTION. PROPER INSTALLATION IS THE RESPONSIBILITY OF THE DEALER/ BUILDER/CONTRACTOR.

ITEM	FILE NAME	DESCRIPTION	CUSTOMER DRAWING #	VENDOR PART #	QTY.	VENDOR NAME	MATERIAL
1	PANEL, 2' RADIUS	PANEL, 2' RADIUS - 200 SERIES	HP252M	HP252M	4	HYDRA POOLS	PS
2	PANEL, 3' LONG	PANEL, 3' LONG - 200 SERIES	HP203	HP203	4	HYDRA POOLS	PS
3	PANEL, 6' LONG	PANEL, 6' LONG - 200 SERIES	HP206	HP206	5	HYDRA POOLS	PS
4	BRACE	BRACE, 4 TAB, HYDRA - 100 SERIES	HP199	HP199	19	HYDRA POOLS	PS
5	PANEL, 6' LONG WITH AQUA GENIE	PANEL, 6' LONG WITH AQUA GENIE - 200 SERIES	HP206A	HP206A	2	HYDRA POOLS	PS
6	HS113N	STEP, 8' STRAIGHT, 4 TREAD, ROMAN END	HS113N	HS113N	1	HYDRA POOLS	ABS
7	PANEL, 1' LONG	PANEL, 1' LONG - 200 SERIES	HP201	HP201	2	HYDRA POOLS	PS
8	PANEL, 4' LONG WITH LIGHT	PANEL, 4' LONG WITH LIGHT - 200 SERIES	HP204L	HP204L	1	HYDRA POOLS	PS

ENGINEERING DRAWING NUMBER: 00007315	WEIGHT:	UNLESS OTHERWISE SPECIFIED DIMENSIONS ARE IN INCHES TOLERANCES DECIMALS: X ± 0.1 XX ± 0.01 XXX ± 0.005 XXXX ± 0.0005 ANGULAR: X ± 0.5 THIRD ANGLE PROJECTION	DESIGNED BY:	CREATION DATE:	PoolWarehouse <i>we know swimming pools</i> TITLE: LAYOUT, 14' X 28' RECTANGLE, 2' RADIUS, 4' DEEP, FLAT BOTTOM, HS113N, AQUAGENIE, 200 SERIES PART NUMBER: NA
	lbs		RCOLBOCH	04/29/13	
	INCH ³		THARKENRIDER	10/05/12	
	COLOR:		tharkenrider	LAST REVISED DATE:	
NA			07/08/14	SCALE: 1:128	SIZE: A
HEAT TREAT:				SHEET: 1 OF 2	
NA					
FINISH:					
NA					
TEXTURE:					
NA					



NOTES:

1. THESE ARE FINISHED DIMENSIONS READY FOR THE LINER.
2. DIMENSIONS ARE FROM INSIDE POOL PANELS.
3. THE IDEAL WATER LEVEL SHOULD BE TO THE MIDDLE OF THE SKIMMER OPENING(S).

EXCAVATION NOTES:

4. ROUGH EXCAVATION SHOULD BE 2" DEEPER IN EACH INSTANCE
5. SOIL TO HAVE MINIMUM BEARING CAPACITY OF 2000 PSF.
6. LOCATE TOP OF POOL AT LEAST 6" ABOVE THE SURROUNDING LAND ELEVATION
7. SEE "OVER DIG DETAIL" FOR EXCAVATION AROUND POOL.
8. FILL VOIDS UNDER BASE OF PANELS AND TAMP WELL.
9. BACK FILL WITH NON-EXPANSIVE MATERIAL

IMPORTANT NOTES:

THIS DOCUMENT IS FOR ILLUSTRATIVE PURPOSES ONLY. THE DEALER OR CONTRACTOR WHO SELLS OR INSTALLS YOUR POOL IS AN INDEPENDENT CONTRACTOR AND IS NOT AN AGENT OF THE MANUFACTURER. THE CONSTRUCTION METHODS ILLUSTRATED HERE ARE SUGGESTIONS AND APPLY ONLY TO NORMAL GROUND CONDITIONS. THERE MAY BE ADDITIONAL PRECAUTIONS AND/OR METHODS OF CONSTRUCTION. PROPER INSTALLATION IS THE RESPONSIBILITY OF THE DEALER/BUILDER/CONTRACTOR.

Area: 389ft ²
Perimeter: 81ft

PANEL LEGEND



NO DIVING WARNING:
ATTENTION DEALER/BUILDER:
It is your responsibility to ensure the safety package provided is delivered to the pool wonder and that the "NO DIVING" labels are properly installed.



"NO DIVING" WARNING LABELS MUST BE INSTALLED IN NO DIVING AREAS ACCORDING TO ANSI SPECIFICATIONS

ENGINEERING DRAWING NUMBER: 00007315	WEIGHT: lbs	UNLESS OTHERWISE SPECIFIED DIMENSIONS ARE IN INCHES	DESIGNED BY: RCOLBOCH	CREATION DATE: 04/29/13	PoolWarehouse <i>we know swimming pools</i> LAYOUT, 14' X 28' RECTANGLE, 2' RADIUS, 4' DEEP, FLAT BOTTOM, HS113N, AQUAGENIE, 200 SERIES	
	VOLUME: Inch ³		TOLERANCES DECIMALS: X ± 0.1 XX ± 0.01 XXX ± 0.005 XXXX ± 0.0005	DETAILED BY: THARKENRIDER		DETAILED DATE: 10/05/12
	COLOR: NA	ANGULAR: X ± 0.5 THIRD ANGLE PROJECTION	LAST REVISED BY: tharkenrider	LAST REVISED DATE: 07/08/14		TITLE:
	HEAT TREAT: NA		MATERIAL:			PART NUMBER: NA
FINISH: NA					SCALE: 1:128	
TEXTURE: NA					SHEET: 1 OF 2	
					SIZE: A	