

NOTES:

1. THESE ARE FINISHED DIMENSIONS READY FOR THE LINER.
2. DIMENSIONS ARE FROM INSIDE POOL PANELS.
3. THE IDEAL WATER LEVEL SHOULD BE TO THE MIDDLE OF THE SKIMMER OPENING(S).

EXCAVATION NOTES:

4. ROUGH EXCAVATION SHOULD BE 2" DEEPER IN EACH INSTANCE
5. SOIL TO HAVE MINIMUM BEARING CAPACITY OF 2000 PSF.
6. LOCATE TOP OF POOL AT LEAST 6" ABOVE THE SURROUNDING LAND ELEVATION
7. SEE "OVER DIG DETAIL" FOR EXCAVATION AROUND POOL.
8. FILL VOIDS UNDER BASE OF PANELS AND TAMP WELL.
9. BACK FILL WITH NON-EXPANSIVE MATERIAL

IMPORTANT NOTES:

THIS DOCUMENT IS FOR ILLUSTRATIVE PURPOSES ONLY. THE DEALER OR CONTRACTOR WHO SELLS OR INSTALLS YOUR POOL IS AN INDEPENDENT CONTRACTOR AND IS NOT AN AGENT OF THE MANUFACTURER. THE CONSTRUCTION METHODS ILLUSTRATED HERE ARE SUGGESTIONS AND APPLY ONLY TO NORMAL GROUND CONDITIONS. THERE MAY BE ADDITIONAL PRECAUTIONS AND/OR METHODS OF CONSTRUCTION. PROPER INSTALLATION IS THE RESPONSIBILITY OF THE DEALER/ BUILDER/CONTRACTOR.

ITEM	FILE NAME	DESCRIPTION	CUSTOMER DRAWING #	VENDOR PART #	QTY.	VENDOR NAME	MATERIAL
1	PANEL, STRAIGHT	PANEL, 4' LONG	HPSD104P	00000274	2	SAMSON STEEL	G-235, 14 GA, CS-B
2	PANEL, STRAIGHT	PANEL, 8' LONG AQUA GENIE	HPSD108AG	00000697	1	SAMSON STEEL	G-235, 14 GA, CS-B
3	PANEL, STRAIGHT	PANEL, 8' LONG	HPSD108P	00000687	5	SAMSON STEEL	G-235, 14 GA, CS-B
4	PANEL, STRAIGHT	PANEL, 2' LONG	HPSD102P	00000621	4	SAMSON STEEL	G-235, 14 GA, CS-B
5	PANEL, STRAIGHT	PANEL, 8' LONG LIGHT	HPSD108L	00000701	1	SAMSON STEEL	G-235, 14 GA, CS-B
6	PANEL, RADIUS	PANEL, 2' RADIUS, 37.7" LONG	HPSD2R	00000287	4	HYDRA POOLS	G-235, 14 GA, CS-B
7	HS107N	8' 3 TREAD STRAIGHT	HS107N	HS107N	1	HYDRA POOLS	ABS
8	BRACE	BRACE, 1 PIECE, TURNBUCKLE, STEEL	HPSFOB	HPSFOB	18	SAMSON STEEL	G-235, 14 GA, CS-B
9B	OLT, PACK	BOLT, FLANGE, 3/8-16 X 1", PACK (50)	HPS1916	HPS1916	4		AISI 1020

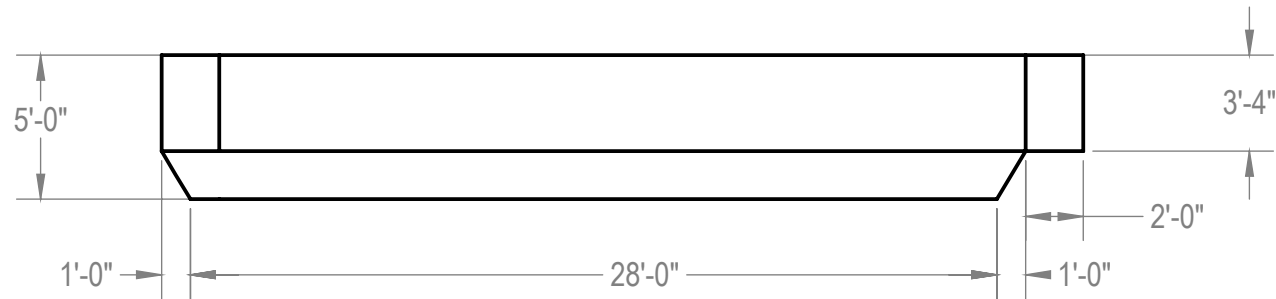
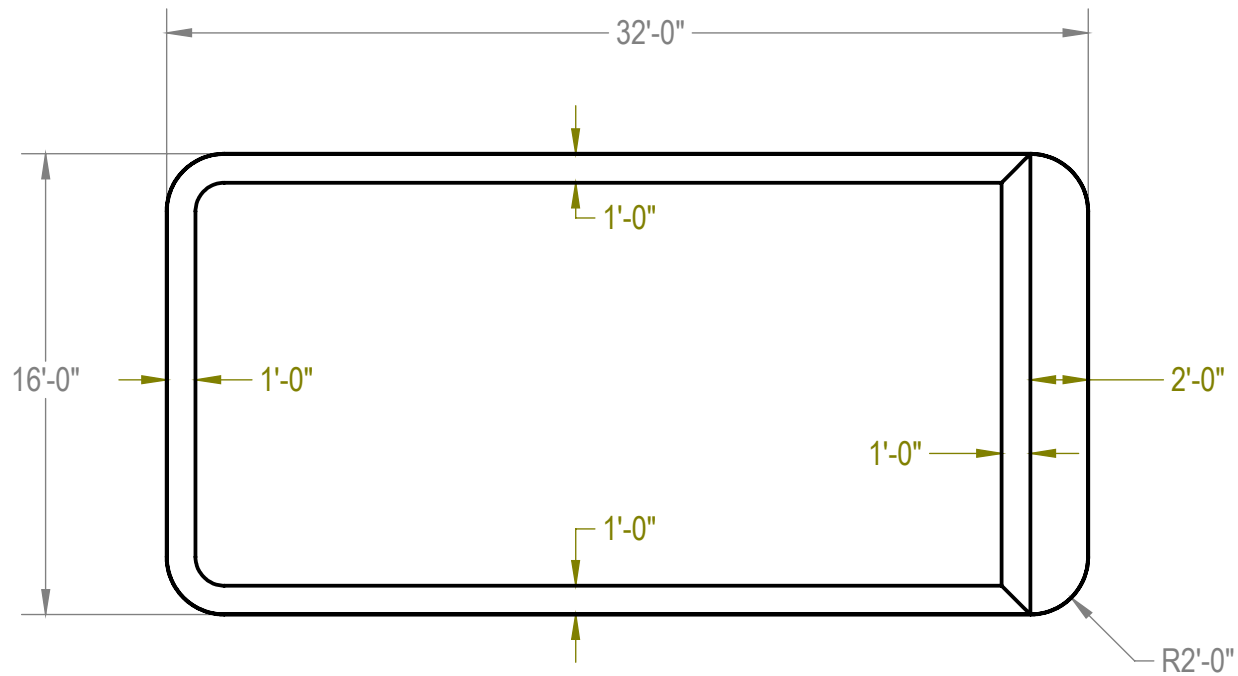
ENGINEERING DRAWING NUMBER: 00002355	WEIGHT:	UNLESS OTHERWISE SPECIFIED	DESIGNED BY:	CREATION DATE:
	18821.8 lbs	DIMENSIONS ARE IN INCHES	JBOSSERDET	3/19/2013
	VOLUME:	TOLERANCES	DETAILED BY:	DETAILED DATE:
	Inch ³	DECIMALS: X ± 0.01	JBOSSERDET	3/19/2013
	COLOR:	XX ± 0.01	LAST REVISED BY:	LAST REVISED DATE:
HEAT TREAT:	XXX ± 0.005	jbosserdet	4/25/2013	
FINISH:	XXXX ± 0.0005	MATERIAL:		
TEXTURE:	ANGULAR: X ± 0.5			
	THIRD ANGLE PROJECTION			

PoolWarehouse
we know swimming pools

TITLE: LAYOUT, 16' X 32' RECTANGLE, 2' RADIUS, HS107N STEP, 5' FLAT BOTTOM, STEEL, PWH-SMALL

PART NUMBER: **TS1365520005**

SCALE: 1:64
SHEET: 1 OF 2
SIZE: **A**



NOTES:

1. THESE ARE FINISHED DIMENSIONS READY FOR THE LINER.
2. DIMENSIONS ARE FROM INSIDE POOL PANELS.
3. THE IDEAL WATER LEVER SHOULD BE TO THE MIDDLE OF THE SKIMMER OPENING(S).

EXCAVATION NOTES:

4. ROUGH EXCAVATION SHOULD BE 2" DEEPER IN EACH INSTANCE
5. SOIL TO HAVE MINIMUM BEARING CAPACITY OF 2000 PSF.
6. LOCATE TOP OF POOL AT LEAST 6" ABOVE THE SURROUNDING LAND ELEVATION
7. SEE "OVER DIG DETAIL" FOR EXCAVATION AROUND POOL.
8. FILL VOIDS UNDER BASE OF PANELS AND TAMP WELL.
9. BACK FILL WITH NON-EXPANSIVE MATERIAL

IMPORTANT NOTES:

THIS DOCUMENT IS FOR ILLUSTRATIVE PURPOSES ONLY. THE DEALER OR CONTRACTOR WHO SELLS OR INSTALLS YOUR POOL IS AN INDEPENDENT CONTRACTOR AND IS NOT AN AGENT OF THE MANUFACTURER. THE CONSTRUCTION METHODS ILLUSTRATED HERE ARE SUGGESTIONS AND APPLY ONLY TO NORMAL GROUND CONDITIONS. THERE MAY BE ADDITIONAL PRECAUTIONS AND/OR METHODS OF CONSTRUCTION. PROPER INSTALLATION IS THE RESPONSIBILITY OF THE DEALER/BUILDER/CONTRACTOR.

NO DIVING WARNING:
ATTENTION DEALER/BUILDER:
 It is your responsibility to ensure the safety package provided is delivered to the pool wonder and that the "NO DIVING" labels are properly installed.



"NO DIVING" WARNING LABELS MUST BE INSTALLED IN NO DIVING AREAS ACCORDING TO ANSI SPECIFICATIONS

PANEL LEGEND



ENGINEERING DRAWING NUMBER 00002355	WEIGHT: 18821.8 lbs VOLUME: Inch ³	UNLESS OTHERWISE SPECIFIED DIMENSIONS ARE IN INCHES TOLERANCES DECIMALS: X ± 0.1 XX ± 0.01 XXX ± 0.005 XXXX ± 0.0005 ANGULAR: X ± 0.5 THIRD ANGLE PROJECTION	DESIGNED BY: JBOSSERDET CREATION DATE: 3/19/2013	PoolWarehouse <i>we know swimming pools</i> TITLE: LAYOUT, 16' X 32' RECTANGLE, 2' RADIUS, HS107N STEP, 5' FLAT BOTTOM, STEEL, PWH-SMALL
	COLOR:	DESIGNED BY: JBOSSERDET CREATION DATE: 3/19/2013	DETAILED BY: JBOSSERDET DETAILED DATE: 3/19/2013	
	HEAT TREAT:	DESIGNED BY: JBOSSERDET CREATION DATE: 3/19/2013	LAST REVISED BY: jbosserdet LAST REVISED DATE: 4/25/2013	
	FINISH:	DESIGNED BY: JBOSSERDET CREATION DATE: 3/19/2013		
	TEXTURE:	DESIGNED BY: JBOSSERDET CREATION DATE: 3/19/2013		
ENGINEERING DRAWING NUMBER 00002355			PART NUMBER: TS1365520005	SCALE: 1:64 SIZE: 1 OF 2 A