

**NOTES:**

1. THESE ARE FINISHED DIMENSIONS READY FOR THE LINER.
2. DIMENSIONS ARE FROM INSIDE POOL PANELS.
3. THE IDEAL WATER LEVEL SHOULD BE TO THE MIDDLE OF THE SKIMMER OPENING(S).

**EXCAVATION NOTES:**

4. ROUGH EXCAVATION SHOULD BE 2" DEEPER IN EACH INSTANCE
5. SOIL TO HAVE MINIMUM BEARING CAPACITY OF 2000 PSF.
6. LOCATE TOP OF POOL AT LEAST 6" ABOVE THE SURROUNDING LAND ELEVATION
7. SEE "OVER DIG DETAIL" FOR EXCAVATION AROUND POOL.
8. FILL VOIDS UNDER BASE OF PANELS AND TAMP WELL.
9. BACK FILL WITH NON-EXPANSIVE MATERIAL

**IMPORTANT NOTES:**

THIS DOCUMENT IS FOR ILLUSTRATIVE PURPOSES ONLY. THE DEALER OR CONTRACTOR WHO SELLS OR INSTALLS YOUR POOL IS AN INDEPENDENT CONTRACTOR AND IS NOT AN AGENT OF THE MANUFACTURER. THE CONSTRUCTION METHODS ILLUSTRATED HERE ARE SUGGESTIONS AND APPLY ONLY TO NORMAL GROUND CONDITIONS. THERE MAY BE ADDITIONAL PRECAUTIONS AND/OR METHODS OF CONSTRUCTION. PROPER INSTALLATION IS THE RESPONSIBILITY OF THE DEALER/ BUILDER/CONTRACTOR.

| ITEM | FILE NAME                      | DESCRIPTION                                 | CUSTOMER DRAWING # | VENDOR PART # | QTY. | VENDOR NAME | MATERIAL |
|------|--------------------------------|---|--------------------|---------------|------|-------------|----------|
| 1    | PANEL, 6' LONG WITH LIGHT      | PANEL, 6' LONG WITH LIGHT - 200 SERIES      | HP206L             | HP206L        | 1    | HYDRA POOLS | PS       |
| 2    | PANEL, 6' LONG                 | PANEL, 6' LONG - 200 SERIES                 | HP206              | HP206         | 9    | HYDRA POOLS | PS       |
| 3    | PANEL, 3' LONG                 | PANEL, 3' LONG - 200 SERIES                 | HP203              | HP203         | 4    | HYDRA POOLS | PS       |
| 4    | PANEL, 2' RADIUS               | PANEL, 2' RADIUS - 200 SERIES               | HP252M             | HP252M        | 4    | HYDRA POOLS | PS       |
| 5    | PANEL, 6' LONG WITH AQUA GENIE | PANEL, 6' LONG WITH AQUA GENIE - 200 SERIES | HP206A             | HP206A        | 1    | HYDRA POOLS | PS       |
| 6    | PANEL, 2' LONG                 | PANEL, 2' LONG - 200 SERIES                 | HP202              | HP202         | 2    | HYDRA POOLS | PS       |
| 7    | BRACE                          | BRACE, 5 TAB, PINNACLE - 100 SERIES         | HP199              | HP199         | 22   | HYDRA POOLS | PS       |

|  |                              |
|--|------------------------------|
| ENGINEERING DRAWING NUMBER:<br><b>00002604</b> | WEIGHT:<br>1643.0 lbs        |
|  | VOLUME:<br>Inch <sup>3</sup> |
|  | COLOR:                       |
|  | HEAT TREAT:                  |
|  | FINISH:                      |
|  | TEXTURE:                     |

UNLESS OTHERWISE SPECIFIED  
DIMENSIONS ARE IN INCHES

TOLERANCES  
DECIMALS: X ± 0.1  
          XX ± 0.01  
          XXX ± 0.005  
          XXXX ± 0.0005

ANGULAR: X ± 0.5  
THIRD ANGLE PROJECTION

|                                     |                                |
|-------------------------------------|--------------------------------|
| DESIGNED BY:<br><b>RCOLBOCH</b>     | CREATION DATE:<br>4/3/2013     |
| DETAILED BY:<br><b>THARKENRIDER</b> | DETAILED DATE:<br>10/5/2012    |
| LAST REVISED BY:<br><b>hyeng2</b>   | LAST REVISED DATE:<br>5/2/2013 |
| MATERIAL:                           |                                |

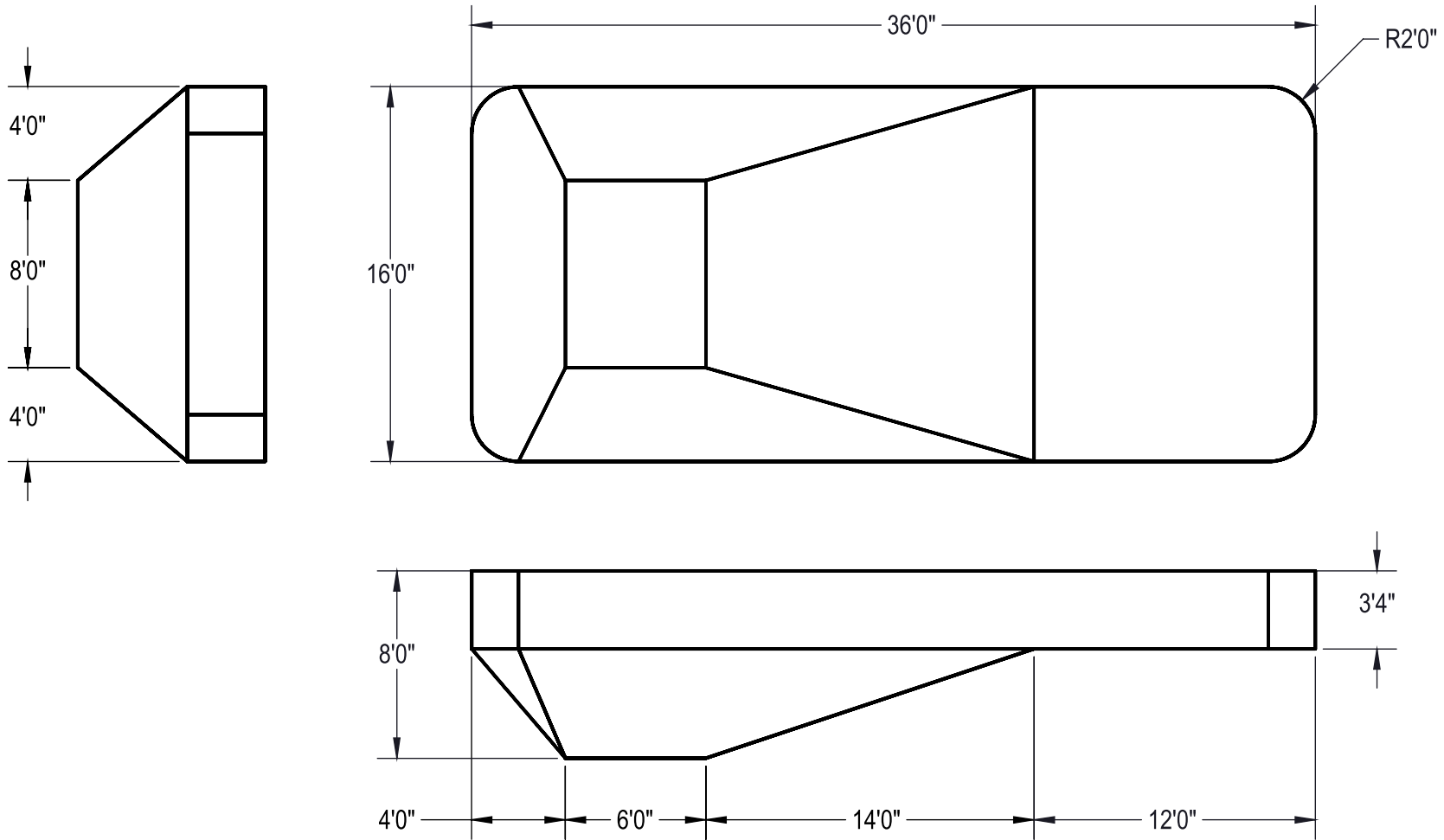
## PoolWarehouse

*we know swimming pools*

**LAYOUT, 16' X 36' RECTANGLE, 2' RADIUS, 8' DEEP, 199 BRACE, 200 SERIES**

PART NUMBER: **NA**

|                  |                   |
|------------------|-------------------|
| SCALE:<br>1:96   | SIZE:<br><b>A</b> |
| SHEET:<br>1 OF 2 |                   |



**NOTES:**

1. THESE ARE FINISHED DIMENSIONS READY FOR THE LINER.
2. DIMENSIONS ARE FROM INSIDE POOL PANELS.
3. THE IDEAL WATER LEVEL SHOULD BE TO THE MIDDLE OF THE SKIMMER OPENING(S).

**EXCAVATION NOTES:**

4. ROUGH EXCAVATION SHOULD BE 2" DEEPER IN EACH INSTANCE
5. SOIL TO HAVE MINIMUM BEARING CAPACITY OF 2000 PSF.
6. LOCATE TOP OF POOL AT LEAST 6" ABOVE THE SURROUNDING LAND ELEVATION
7. SEE "OVER DIG DETAIL" FOR EXCAVATION AROUND POOL.
8. FILL VOIDS UNDER BASE OF PANELS AND TAMP WELL.
9. BACK FILL WITH NON-EXPANSIVE MATERIAL

**IMPORTANT NOTES:**

THIS DOCUMENT IS FOR ILLUSTRATIVE PURPOSES ONLY. THE DEALER OR CONTRACTOR WHO SELLS OR INSTALLS YOUR POOL IS AN INDEPENDENT CONTRACTOR AND IS NOT AN AGENT OF THE MANUFACTURER. THE CONSTRUCTION METHODS ILLUSTRATED HERE ARE SUGGESTIONS AND APPLY ONLY TO NORMAL GROUND CONDITIONS. THERE MAY BE ADDITIONAL PRECAUTIONS AND/OR METHODS OF CONSTRUCTION. PROPER INSTALLATION IS THE RESPONSIBILITY OF THE DEALER/BUILDER/CONTRACTOR.

**NO DIVING WARNING:**  
**ATTENTION DEALER/BUILDER:**  
 It is your responsibility to ensure the safety package provided is delivered to the pool wonder and that the "NO DIVING" labels are properly installed.



"NO DIVING" WARNING LABELS MUST BE INSTALLED IN NO DIVING AREAS ACCORDING TO ANSI SPECIFICATIONS

**PANEL LEGEND**



|  |                              |  |  |                              |   |                                |
|--|------------------------------|--|--|------------------------------|---|--------------------------------|
| ENGINEERING DRAWING NUMBER:<br><b>00002604</b> | WEIGHT:<br>1643.0 lbs        | UNLESS OTHERWISE SPECIFIED<br>DIMENSIONS ARE IN INCHES | DESIGNED BY:<br>RCOLBOCH   | CREATION DATE:<br>4/3/2013   | <h1>PoolWarehouse</h1> <p><i>we know swimming pools</i></p> <h2>LAYOUT, 16' X 36' RECTANGLE, 2' RADIUS, 8' DEEP, 199 BRACE, 200 SERIES</h2> |                                |
|  | VOLUME:<br>Inch <sup>3</sup> |  | TOLERANCES<br>DECIMALS: X ± 0.1<br>XX ± 0.01<br>XXX ± 0.005<br>XXXX ± 0.0005 | DETAILED BY:<br>THARKENRIDER |   | DETAILED DATE:<br>10/5/2012    |
|  | COLOR:                       |  | ANGULAR: X ± 0.5<br>THIRD ANGLE PROJECTION                                   | LAST REVISED BY:<br>hyeng2   |   | LAST REVISED DATE:<br>5/2/2013 |
|  | HEAT TREAT:                  |  |  | MATERIAL:                    |   |                                |
| FINISH:  |                              |  |  | PART NUMBER:<br><b>NA</b>    | SCALE:<br>1:96  | SIZE:<br><b>A</b>              |
| TEXTURE:                                       |                              |  |  |                              | SHEET:<br>1 OF 2  |                                |