

**NOTES:**

1. THESE ARE FINISHED DIMENSIONS READY FOR THE LINER.
2. DIMENSIONS ARE FROM INSIDE POOL PANELS.
3. THE IDEAL WATER LEVEL SHOULD BE TO THE MIDDLE OF THE SKIMMER OPENING(S).

**EXCAVATION NOTES:**

4. ROUGH EXCAVATION SHOULD BE 2" DEEPER IN EACH INSTANCE
5. SOIL TO HAVE MINIMUM BEARING CAPACITY OF 2000 PSF.
6. LOCATE TOP OF POOL AT LEAST 6" ABOVE THE SURROUNDING LAND ELEVATION
7. SEE "OVER DIG DETAIL" FOR EXCAVATION AROUND POOL.
8. FILL VOIDS UNDER BASE OF PANELS AND TAMP WELL.
9. BACK FILL WITH NON-EXPANSIVE MATERIAL

**IMPORTANT NOTES:**

THIS DOCUMENT IS FOR ILLUSTRATIVE PURPOSES ONLY. THE DEALER OR CONTRACTOR WHO SELLS OR INSTALLS YOUR POOL IS AN INDEPENDENT CONTRACTOR AND IS NOT AN AGENT OF THE MANUFACTURER. THE CONSTRUCTION METHODS ILLUSTRATED HERE ARE SUGGESTIONS AND APPLY ONLY TO NORMAL GROUND CONDITIONS. THERE MAY BE ADDITIONAL PRECAUTIONS AND/OR METHODS OF CONSTRUCTION. PROPER INSTALLATION IS THE RESPONSIBILITY OF THE DEALER/ BUILDER/CONTRACTOR.

ITEM	FILE NAME	DESCRIPTION	CUSTOMER DRAWING #	VENDOR PART #	QTY.	VENDOR NAME	MATERIAL
1	PANEL, STRAIGHT	PANEL, 8' LONG	HPSD108P	00000687	7	STEEL	
2	PANEL, STRAIGHT	PANEL, 6' LONG	HPSD106P	00000676	1	STEEL	
3	PANEL, STRAIGHT	PANEL, 8' LONG AQUAGENIE	HPSD108AG	00000697	2	STEEL	
4	PANEL, STRAIGHT	PANEL, 8' LONG LIGHT	HPSD108L	00000701	1	STEEL	
5	PANEL, STRAIGHT	PANEL, 5' LONG	HPSD105P	00000674	4	STEEL	
6	BOLT, PACK	BOLT, FLANGE, 3/8-16 X 1", PACK (50)	HPS1916	HPS1916	8		AISI 1020
7	HS107N	8' 3 TREAD STRAIGHT	HS107N	HS107N	1	HYDRA POOLS	ABS
8	HS402N	LADDER, IN-WALL, 2 RECESSED, (42")	HS402N	HS402N	1	HYDRA POOLS	ABS
9	SBRACE	BRACE, FOLD OVER WITH TURNBUCKLE, STEEL, HPSFOB	HPSFOB	HPSFOB	21	STEEL	
10	PANEL, INSERT	INSERT, 42" X 4 1/4" X 5 3/4" X 45"	HPSD6CA	00001403	4	STEEL	

ENGINEERING DRAWING NUMBER:  
**00006497**

UNLESS OTHERWISE SPECIFIED  
DIMENSIONS ARE IN INCHES

TOLERANCES  
DECIMALS: X ± 0.1  
          XX ± 0.01  
          XXX ± 0.005  
          XXXX ± 0.0005

ANGULAR: X ± 0.5  
THIRD ANGLE PROJECTION

DESIGNED BY:  
**RCOLBOCH**

CREATION DATE:  
**4/3/2013**

DETAILED BY:  
**THARKENRIDER**

DETAILED DATE:  
**10/5/2012**

LAST REVISED BY:  
**hyeng2**

LAST REVISED DATE:  
**5/2/2013**

MATERIAL:

## PoolWarehouse

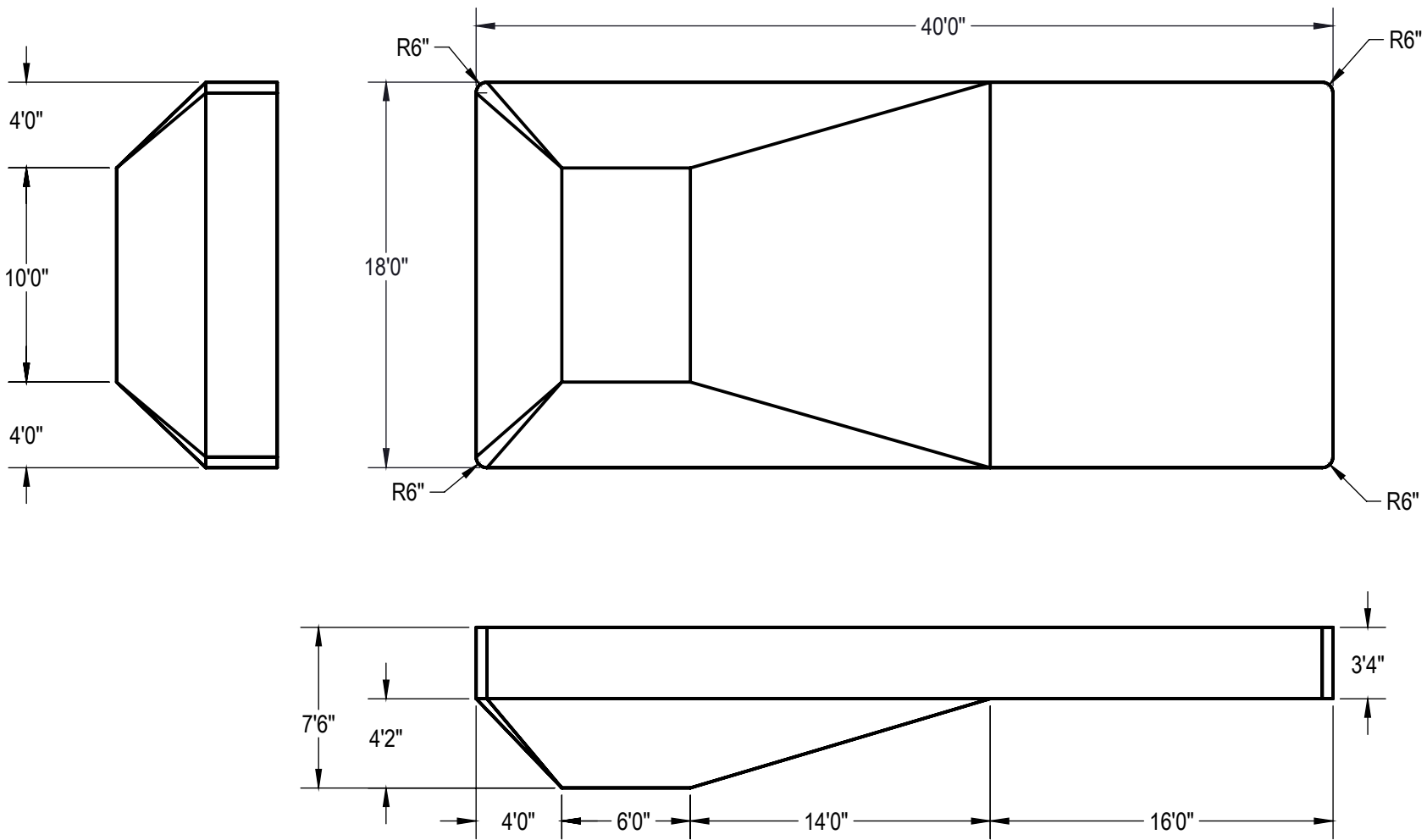
*we know swimming pools*

**TITLE: LAYOUT, 18' X 40' RECTANGLE, 6" RADIUS, 7'6" DEEP, HS107N, HS402N, AQUA GENIE. 600 SERIES**

PART NUMBER: **NA**

SCALE: 1:96      SIZE: **A**

SHEET: 1 OF 2



**NOTES:**

1. THESE ARE FINISHED DIMENSIONS READY FOR THE LINER.
2. DIMENSIONS ARE FROM INSIDE POOL PANELS.
3. THE IDEAL WATER LEVEL SHOULD BE TO THE MIDDLE OF THE SKIMMER OPENING(S).

**EXCAVATION NOTES:**

4. ROUGH EXCAVATION SHOULD BE 2" DEEPER IN EACH INSTANCE
5. SOIL TO HAVE MINIMUM BEARING CAPACITY OF 2000 PSF.
6. LOCATE TOP OF POOL AT LEAST 6" ABOVE THE SURROUNDING LAND ELEVATION
7. SEE "OVER DIG DETAIL" FOR EXCAVATION AROUND POOL.
8. FILL VOIDS UNDER BASE OF PANELS AND TAMP WELL.
9. BACK FILL WITH NON-EXPANSIVE MATERIAL

**IMPORTANT NOTES:**

THIS DOCUMENT IS FOR ILLUSTRATIVE PURPOSES ONLY. THE DEALER OR CONTRACTOR WHO SELLS OR INSTALLS YOUR POOL IS AN INDEPENDENT CONTRACTOR AND IS NOT AN AGENT OF THE MANUFACTURER. THE CONSTRUCTION METHODS ILLUSTRATED HERE ARE SUGGESTIONS AND APPLY ONLY TO NORMAL GROUND CONDITIONS. THERE MAY BE ADDITIONAL PRECAUTIONS AND/OR METHODS OF CONSTRUCTION. PROPER INSTALLATION IS THE RESPONSIBILITY OF THE DEALER/BUILDER/CONTRACTOR.

**NO DIVING WARNING:**  
**ATTENTION DEALER/BUILDER:**  
 It is your responsibility to ensure the safety package provided is delivered to the pool wonder and that the "NO DIVING" labels are properly installed.



"NO DIVING" WARNING LABELS MUST BE INSTALLED IN NO DIVING AREAS ACCORDING TO ANSI SPECIFICATIONS

Area: 720ft <sup>2</sup>  
 Perimeter: 115ft

**PANEL LEGEND**



ENGINEERING DRAWING NUMBER: <b>00006497</b>	<b>WEIGHT:</b> 1643.0 lbs	<b>UNLESS OTHERWISE SPECIFIED</b> DIMENSIONS ARE IN INCHES TOLERANCES DECIMALS: X ± 0.1 XX ± 0.01 XXX ± 0.005 XXXX ± 0.0005 ANGULAR: X ± 0.5 THIRD ANGLE PROJECTION	<b>DESIGNED BY:</b> RCOLBOCH	<b>CREATION DATE:</b> 4/3/2013	<b>PoolWarehouse</b> <i>we know swimming pools</i> <b>LAYOUT, 18' X 40' RECTANGLE, 6" RADIUS, 7'6" DEEP, HS107N, HS402N, AQUA GENIE. 600 SERIES</b>
	<b>VOLUME:</b> Inch <sup>3</sup>		<b>DETAILED BY:</b> THARKENRIDER	<b>DETAILED DATE:</b> 10/5/2012	
	<b>COLOR:</b>		<b>LAST REVISED BY:</b> hyeng2	<b>LAST REVISED DATE:</b> 5/2/2013	
	<b>HEAT TREAT:</b>		<b>MATERIAL:</b>		
<b>FINISH:</b>			<b>TITLE:</b>		<b>NA</b>
<b>TEXTURE:</b>			<b>PART NUMBER:</b>	<b>SCALE:</b> 1:96	
					<b>SHEET:</b> 1 OF 2