

NOTES:

1. THESE ARE FINISHED DIMENSIONS READY FOR THE LINER.
2. DIMENSIONS ARE FROM INSIDE POOL PANELS.
3. THE IDEAL WATER LEVEL SHOULD BE TO THE MIDDLE OF THE SKIMMER OPENING(S).

EXCAVATION NOTES:

4. ROUGH EXCAVATION SHOULD BE 2" DEEPER IN EACH INSTANCE
5. SOIL TO HAVE MINIMUM BEARING CAPACITY OF 2000 PSF.
6. LOCATE TOP OF POOL AT LEAST 6" ABOVE THE SURROUNDING LAND ELEVATION
7. SEE "OVER DIG DETAIL" FOR EXCAVATION AROUND POOL.
8. FILL VOIDS UNDER BASE OF PANELS AND TAMP WELL.
9. BACK FILL WITH NON-EXPANSIVE MATERIAL

IMPORTANT NOTES:

THIS DOCUMENT IS FOR ILLUSTRATIVE PURPOSES ONLY. THE DEALER OR CONTRACTOR WHO SELLS OR INSTALLS YOUR POOL IS AN INDEPENDENT CONTRACTOR AND IS NOT AN AGENT OF THE MANUFACTURER. THE CONSTRUCTION METHODS ILLUSTRATED HERE ARE SUGGESTIONS AND APPLY ONLY TO NORMAL GROUND CONDITIONS. THERE MAY BE ADDITIONAL PRECAUTIONS AND/OR METHODS OF CONSTRUCTION. PROPER INSTALLATION IS THE RESPONSIBILITY OF THE DEALER/ BUILDER/CONTRACTOR.

ITEM	FILE NAME	DESCRIPTION	CUSTOMER DRAWING #	VENDOR PART #	QTY.	VENDOR NAME	MATERIAL
1	PANEL, 6' LONG	PANEL, 6' LONG - 200 SERIES	HP206	HP206	9	HYDRA POOLS	PS
2	PANEL, 8' LONG WITH AQUA GENIE	PANEL, 6' LONG WITH AQUA GENIE - 200 SERIES	HP206A	HP206A	2	HYDRA POOLS	PS
3	BRACE	BRACE, 4 TAB, HYDRA - 100 SERIES	HP199	HP199	24	HYDRA POOLS	PS
4	PANEL, 2' RADIUS	PANEL, 2' RADIUS - 200 SERIES	HP252M	HP252M	4	HYDRA POOLS	PS
5	PANEL, 6' LONG WITH LIGHT	PANEL, 6' LONG WITH LIGHT - 200 SERIES	HP206L	HP206L	2	HYDRA POOLS	PS
6	PANEL, 4' LONG	PANEL, 4' LONG - 200 SERIES	HP204	HP204	2	HYDRA POOLS	PS
7	PANEL, 5' LONG	PANEL, 5' LONG - 200 SERIES	HP205	HP205	4	HYDRA POOLS	PS
8	HS105N	STEP, 6' STRAIGHT, 4 TREAD	HS105N	HS105N	1	HYDRA POOLS	ABS

ENGINEERING DRAWING NUMBER: 00008108	WEIGHT:	1643.0 lbs
	VOLUME:	Inch ³
	COLOR:	
	HEAT TREAT:	
	FINISH:	
	TEXTURE:	

UNLESS OTHERWISE SPECIFIED
 DIMENSIONS ARE IN INCHES
 TOLERANCES
 DECIMALS: X ± 0.1
 XX ± 0.01
 XXX ± 0.005
 XXXX ± 0.0005
 ANGULAR: X ± 0.5
 THIRD ANGLE PROJECTION



DESIGNED BY: RCOLBOCH	CREATION DATE: 4/3/2013
DETAILED BY: THARKENRIDER	DETAILED DATE: 10/5/2012
LAST REVISED BY: hyeng2	LAST REVISED DATE: 5/2/2013
MATERIAL:	

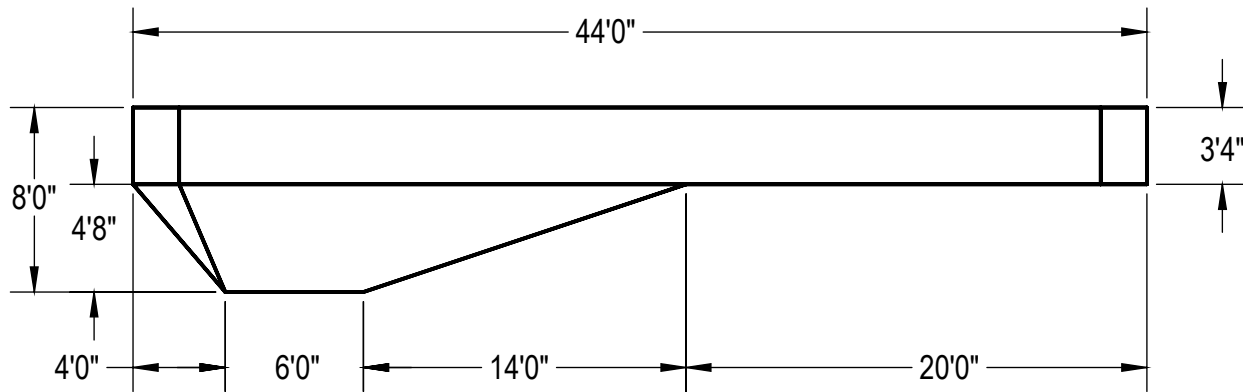
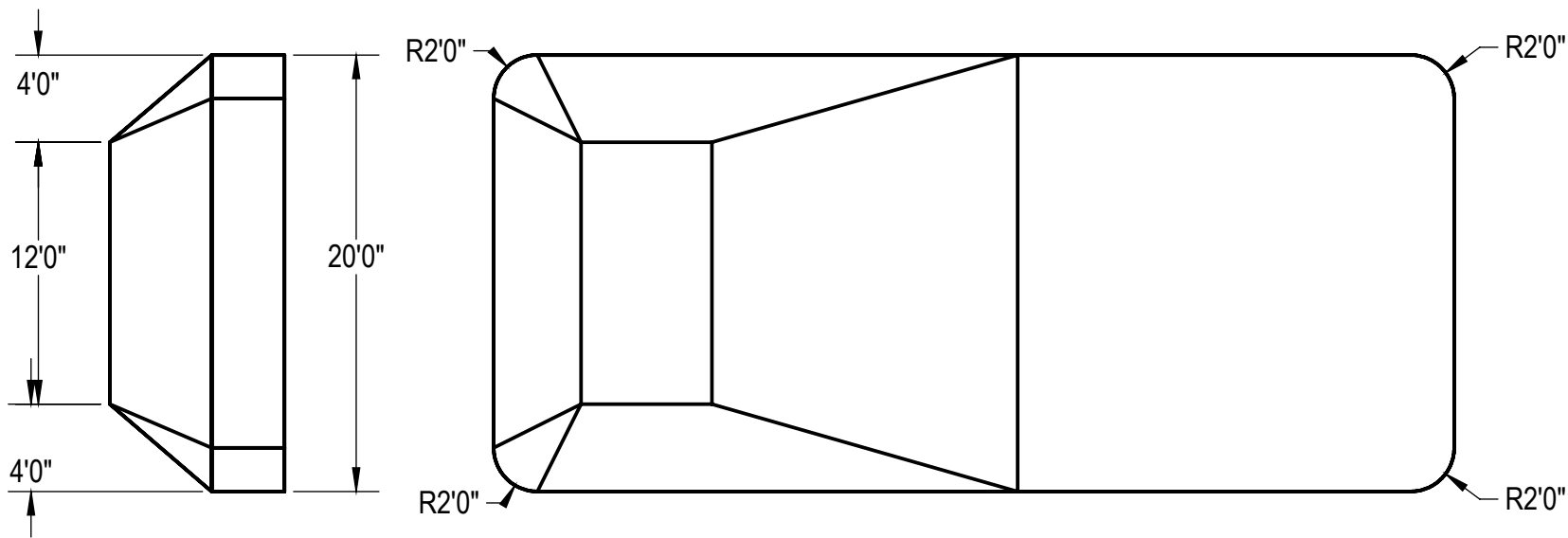
PoolWarehouse

we know swimming pools

**LAYOUT, 20' X 44' 2' RADIUS
 RECTANGLE, 8' DEEP, HS105N, 200
 SERIES**

00008108

SCALE: 1:96	SIZE: A
SHEET: 1 OF 2	



NOTES:

1. THESE ARE FINISHED DIMENSIONS READY FOR THE LINER.
2. DIMENSIONS ARE FROM INSIDE POOL PANELS.
3. THE IDEAL WATER LEVEL SHOULD BE TO THE MIDDLE OF THE SKIMMER OPENING(S).

EXCAVATION NOTES:

4. ROUGH EXCAVATION SHOULD BE 2" DEEPER IN EACH INSTANCE
5. SOIL TO HAVE MINIMUM BEARING CAPACITY OF 2000 PSF.
6. LOCATE TOP OF POOL AT LEAST 6" ABOVE THE SURROUNDING LAND ELEVATION
7. SEE "OVER DIG DETAIL" FOR EXCAVATION AROUND POOL.
8. FILL VOIDS UNDER BASE OF PANELS AND TAMP WELL.
9. BACK FILL WITH NON-EXPANSIVE MATERIAL

IMPORTANT NOTES:

THIS DOCUMENT IS FOR ILLUSTRATIVE PURPOSES ONLY. THE DEALER OR CONTRACTOR WHO SELLS OR INSTALLS YOUR POOL IS AN INDEPENDENT CONTRACTOR AND IS NOT AN AGENT OF THE MANUFACTURER. THE CONSTRUCTION METHODS ILLUSTRATED HERE ARE SUGGESTIONS AND APPLY ONLY TO NORMAL GROUND CONDITIONS. THERE MAY BE ADDITIONAL PRECAUTIONS AND/OR METHODS OF CONSTRUCTION. PROPER INSTALLATION IS THE RESPONSIBILITY OF THE DEALER/BUILDER/CONTRACTOR.

Area: 877ft ²
 Perimeter: 125ft
 Volume = 30634.34 US gallons

PANEL LEGEND



NO DIVING WARNING:
 ATTENTION DEALER/BUILDER:
 It is your responsibility to ensure the safety package provided is delivered to the pool wonder and that the "NO DIVING" labels are properly installed.



"NO DIVING" WARNING LABELS MUST BE INSTALLED IN NO DIVING AREAS ACCORDING TO ANSI SPECIFICATIONS

ENGINEERING DRAWING NUMBER: 00008108	WEIGHT: 1643.0 lbs	UNLESS OTHERWISE SPECIFIED DIMENSIONS ARE IN INCHES TOLERANCES DECIMALS: X ± 0.1 XX ± 0.01 XXX ± 0.005 XXXX ± 0.0005 ANGULAR: X ± 0.5 THIRD ANGLE PROJECTION	DESIGNED BY: RCOLBOCH	CREATION DATE: 4/3/2013	PoolWarehouse <i>we know swimming pools</i> LAYOUT, 20' X 44' 2" RADIUS RECTANGLE, 8' DEEP, HS105N, 200 SERIES	
	VOLUME: Inch ³		DETAILED BY: THARKENRIDER	DETAILED DATE: 10/5/2012		
	COLOR:		LAST REVISED BY: hyeng2	LAST REVISED DATE: 5/2/2013		
	HEAT TREAT:		MATERIAL:			
FINISH:					PART NUMBER: 00008108	
TEXTURE:					SCALE: 1:96	SIZE: A
					SHEET: 1 OF 2	