

NOTES:

1. THESE ARE FINISHED DIMENSIONS READY FOR THE LINER.
2. DIMENSIONS ARE FROM INSIDE POOL PANELS.
3. THE IDEAL WATER LEVEL SHOULD BE TO THE MIDDLE OF THE SKIMMER OPENING(S).

EXCAVATION NOTES:

4. ROUGH EXCAVATION SHOULD BE 2" DEEPER IN EACH INSTANCE
5. SOIL TO HAVE MINIMUM BEARING CAPACITY OF 2000 PSF.
6. LOCATE TOP OF POOL AT LEAST 6" ABOVE THE SURROUNDING LAND ELEVATION
7. SEE "OVER DIG DETAIL" FOR EXCAVATION AROUND POOL.
8. FILL VOIDS UNDER BASE OF PANELS AND TAMP WELL.
9. BACK FILL WITH NON-EXPANSIVE MATERIAL

IMPORTANT NOTES:

THIS DOCUMENT IS FOR ILLUSTRATIVE PURPOSES ONLY. THE DEALER OR CONTRACTOR WHO SELLS OR INSTALLS YOUR POOL IS AN INDEPENDENT CONTRACTOR AND IS NOT AN AGENT OF THE MANUFACTURER. THE CONSTRUCTION METHODS ILLUSTRATED HERE ARE SUGGESTIONS AND APPLY ONLY TO NORMAL GROUND CONDITIONS. THERE MAY BE ADDITIONAL PRECAUTIONS AND/OR METHODS OF CONSTRUCTION. PROPER INSTALLATION IS THE RESPONSIBILITY OF THE DEALER/ BUILDER/CONTRACTOR.

ITEM	FILE NAME	DESCRIPTION	CUSTOMER DRAWING #	VENDOR PART #	QTY.	VENDOR NAME	MATERIAL
1	BRACE	BRACE, 4 TAB, HYDRA - 200 SERIES	HP299	HP299	27	HYDRA POOLS	PS
2	PANEL, 2' LONG	PANEL, 2' LONG - 200 SERIES	HP202	HP202	2	HYDRA POOLS	PS
3	PANEL, 3' LONG	PANEL, 3' LONG - 200 SERIES	HP203	HP203	2	HYDRA POOLS	PS
4	PANEL, 4' LONG	PANEL, 4' LONG - 200 SERIES	HP204	HP204	2	HYDRA POOLS	PS
5	PANEL, 4' LONG WITH LIGHT	PANEL, 4' LONG WITH LIGHT - 200 SERIES	HP204L	HP204L	1	HYDRA POOLS	PS
6	PANEL, 4' RADIUS	PANEL, 4' RADIUS - 200 SERIES	HP254	HP254	8	HYDRA POOLS	PS
7	PANEL, 6' LONG	PANEL, 6' LONG - 200 SERIES	HP206	HP206	9	HYDRA POOLS	PS
8	PANEL, 6' LONG WITH AQUA GENIE	PANEL, 6' LONG WITH AQUA GENIE - 200 SERIES	HP206A	HP206A	2	HYDRA POOLS	PS
9	HS110N	STEP, 8', TWIN SEAT, 4 TREAD	HS110N	HS110N	1	HYDRA POOLS	ABS

ENGINEERING DRAWING NUMBER:
00010092

UNLESS OTHERWISE SPECIFIED
DIMENSIONS ARE IN INCHES
TOLERANCES
DECIMALS: X ± 0.1
 XX ± 0.01
 XXX ± 0.005
 XXXX ± 0.0005
ANGULAR: X ± 0.5
THIRD ANGLE PROJECTION

DESIGNED BY:
RCOLBOCH
CREATION DATE:
4/3/2013
DETAILED BY:
THARKENRIDER
DETAILED DATE:
10/5/2012
LAST REVISED BY:
hyeng2
LAST REVISED DATE:
5/2/2013
MATERIAL:

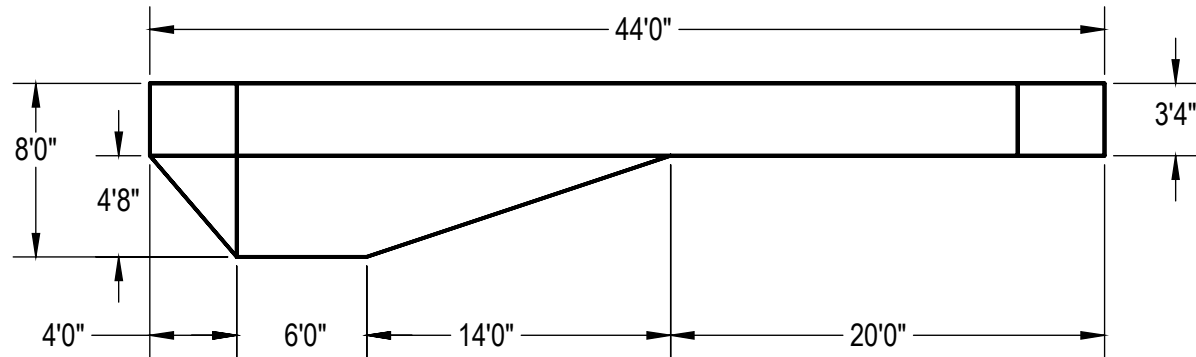
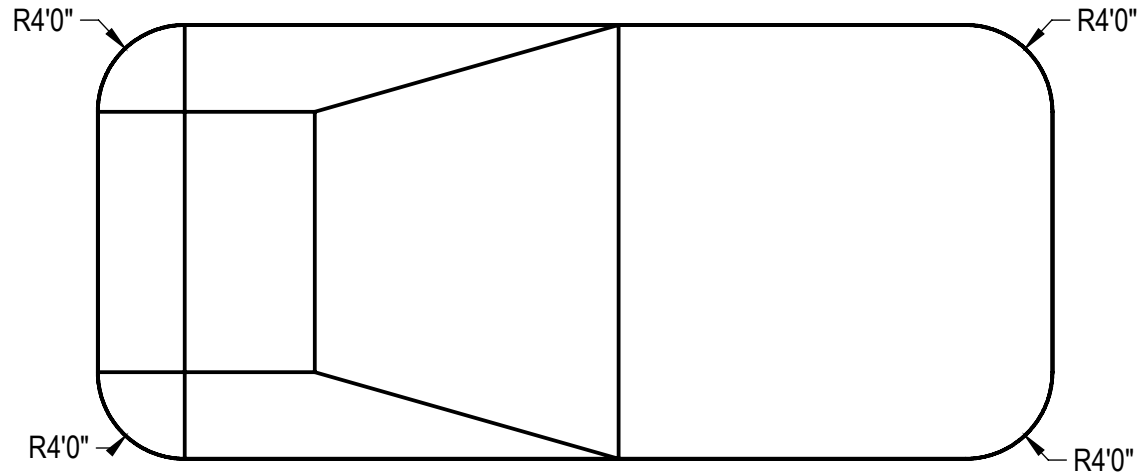
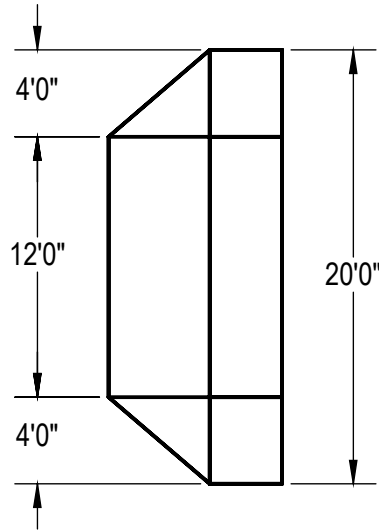
PoolWarehouse

we know swimming pools

TITLE: LAYOUT, 20' X 44' 4' RADIUS RECTANGLE, 8' DEEP, HS110N, 2-AQUAGENIE, LIGHT, 299 BRACE, 200 SERIES

PART NUMBER: **00010092**

SCALE:	1:96	SIZE:	A
SHEET:	1 OF 2		



NOTES:

1. THESE ARE FINISHED DIMENSIONS READY FOR THE LINER.
2. DIMENSIONS ARE FROM INSIDE POOL PANELS.
3. THE IDEAL WATER LEVEL SHOULD BE TO THE MIDDLE OF THE SKIMMER OPENING(S).

EXCAVATION NOTES:

4. ROUGH EXCAVATION SHOULD BE 2" DEEPER IN EACH INSTANCE
5. SOIL TO HAVE MINIMUM BEARING CAPACITY OF 2000 PSF.
6. LOCATE TOP OF POOL AT LEAST 6" ABOVE THE SURROUNDING LAND ELEVATION
7. SEE "OVER DIG DETAIL" FOR EXCAVATION AROUND POOL.
8. FILL VOIDS UNDER BASE OF PANELS AND TAMP WELL.
9. BACK FILL WITH NON-EXPANSIVE MATERIAL

IMPORTANT NOTES:

THIS DOCUMENT IS FOR ILLUSTRATIVE PURPOSES ONLY. THE DEALER OR CONTRACTOR WHO SELLS OR INSTALLS YOUR POOL IS AN INDEPENDENT CONTRACTOR AND IS NOT AN AGENT OF THE MANUFACTURER. THE CONSTRUCTION METHODS ILLUSTRATED HERE ARE SUGGESTIONS AND APPLY ONLY TO NORMAL GROUND CONDITIONS. THERE MAY BE ADDITIONAL PRECAUTIONS AND/OR METHODS OF CONSTRUCTION. PROPER INSTALLATION IS THE RESPONSIBILITY OF THE DEALER/BUILDER/CONTRACTOR.

Area: 866.2655ft²
 Perimeter: 121.1327ft
 30317 US gallons

PANEL LEGEND



NO DIVING WARNING:
 ATTENTION DEALER/BUILDER:
 It is your responsibility to ensure the safety package provided is delivered to the pool wonder and that the "NO DIVING" labels are properly installed.



"NO DIVING" WARNING LABELS MUST BE INSTALLED IN NO DIVING AREAS ACCORDING TO ANSI SPECIFICATIONS

ENGINEERING DRAWING NUMBER: 00010092	1643.0 lbs	UNLESS OTHERWISE SPECIFIED DIMENSIONS ARE IN INCHES TOLERANCES DECIMALS: X ± 0.1 XX ± 0.01 XXX ± 0.005 XXXX ± 0.0005 ANGULAR: X ± 0.5 THIRD ANGLE PROJECTION	RCOLBOCH	4/3/2013	PoolWarehouse <i>we know swimming pools</i>
	VOLUME: Inch ³		DETAILED BY: THARKENRIDER	DETAILED DATE: 10/5/2012	
	COLOR:		LAST REVISED BY: hyeng2	LAST REVISED DATE: 5/2/2013	
	HEAT TREAT:		MATERIAL:		
FINISH:					TITLE: LAYOUT, 20' X 44' 4' RADIUS RECTANGLE, 8' DEEP, HS110N, 2-AQUAGENIE, LIGHT, 299 BRACE, 200 SERIES
TEXTURE:					PART NUMBER: 00010092
					SCALE: 1:96 SHEET: 1 OF 2
					SIZE: A