

NOTES:

1. THESE ARE FINISHED DIMENSIONS READY FOR THE LINER.
2. DIMENSIONS ARE FROM INSIDE POOL PANELS.
3. THE IDEAL WATER LEVEL SHOULD BE TO THE MIDDLE OF THE SKIMMER OPENING(S).

EXCAVATION NOTES:

4. ROUGH EXCAVATION SHOULD BE 2" DEEPER IN EACH INSTANCE
5. SOIL TO HAVE MINIMUM BEARING CAPACITY OF 2000 PSF.
6. LOCATE TOP OF POOL AT LEAST 6" ABOVE THE SURROUNDING LAND ELEVATION
7. SEE "OVER DIG DETAIL" FOR EXCAVATION AROUND POOL.
8. FILL VOIDS UNDER BASE OF PANELS AND TAMP WELL.
9. BACK FILL WITH NON-EXPANSIVE MATERIAL

IMPORTANT NOTES:

THIS DOCUMENT IS FOR ILLUSTRATIVE PURPOSES ONLY. THE DEALER OR CONTRACTOR WHO SELLS OR INSTALLS YOUR POOL IS AN INDEPENDENT CONTRACTOR AND IS NOT AN AGENT OF THE MANUFACTURER. THE CONSTRUCTION METHODS ILLUSTRATED HERE ARE SUGGESTIONS AND APPLY ONLY TO NORMAL GROUND CONDITIONS. THERE MAY BE ADDITIONAL PRECAUTIONS AND/OR METHODS OF CONSTRUCTION. PROPER INSTALLATION IS THE RESPONSIBILITY OF THE DEALER/ BUILDER/CONTRACTOR.

ITEM	FILE NAME	DESCRIPTION	CUSTOMER DRAWING #	VENDOR PART #	QTY.	VENDOR NAME	MATERIAL
1	PANEL, 2' RADIUS	PANEL, 2' RADIUS - 200 SERIES	HP252M	HP252M	4	HYDRA POOLS	PS
2	PANEL, 6' LONG	PANEL, 6' LONG - 200 SERIES	HP206	HP206	12	HYDRA POOLS	PS
3	PANEL, 6' LONG WITH AQUA GENIE	PANEL, 6' LONG WITH AQUA GENIE - 200 SERIES	HP206A	HP206A	2	HYDRA POOLS	PS
4	PANEL, 4' LONG	PANEL, 4' LONG - 200 SERIES	HP204	HP204	7	HYDRA POOLS	PS
5	BRACE	BRACE, 5 TAB, PINNACLE - 100 SERIES	HP199	HP199	26	HYDRA POOLS	PS
6	HS108N	8' 4 TREAD STEP	HS108N	HS108N	1	HYDRA POOLS	ABS

ENGINEERING DRAWING NUMBER: 00005749	WEIGHT: 1643.0 lbs	UNLESS OTHERWISE SPECIFIED DIMENSIONS ARE IN INCHES TOLERANCES DECIMALS: X ± 0.1 XX ± 0.01 XXX ± 0.005 XXXX ± 0.0005 ANGULAR: X ± 0.5 THIRD ANGLE PROJECTION	DESIGNED BY: RCOLBOCH	CREATION DATE: 4/3/2013
	VOLUME: Inch ³		DETAILED BY: THARKENRIDER	DETAILED DATE: 10/5/2012
	COLOR:		LAST REVISED BY: hyeng2	LAST REVISED DATE: 5/2/2013
	HEAT TREAT:		MATERIAL:	
	FINISH:			
	TEXTURE:			

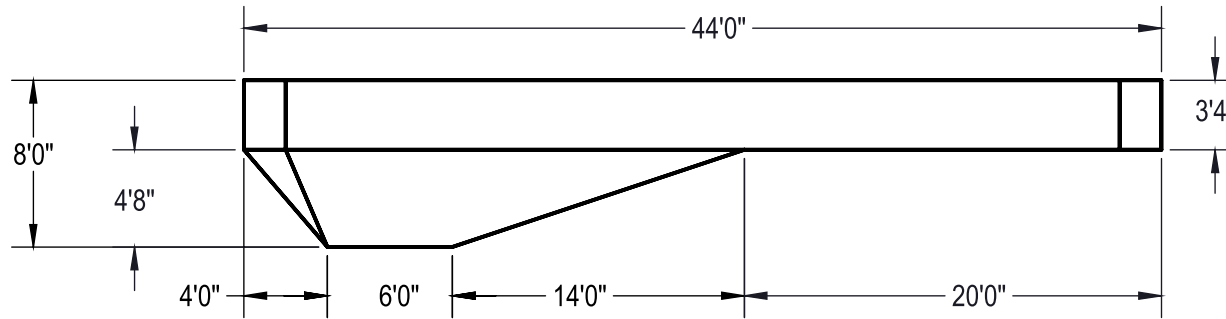
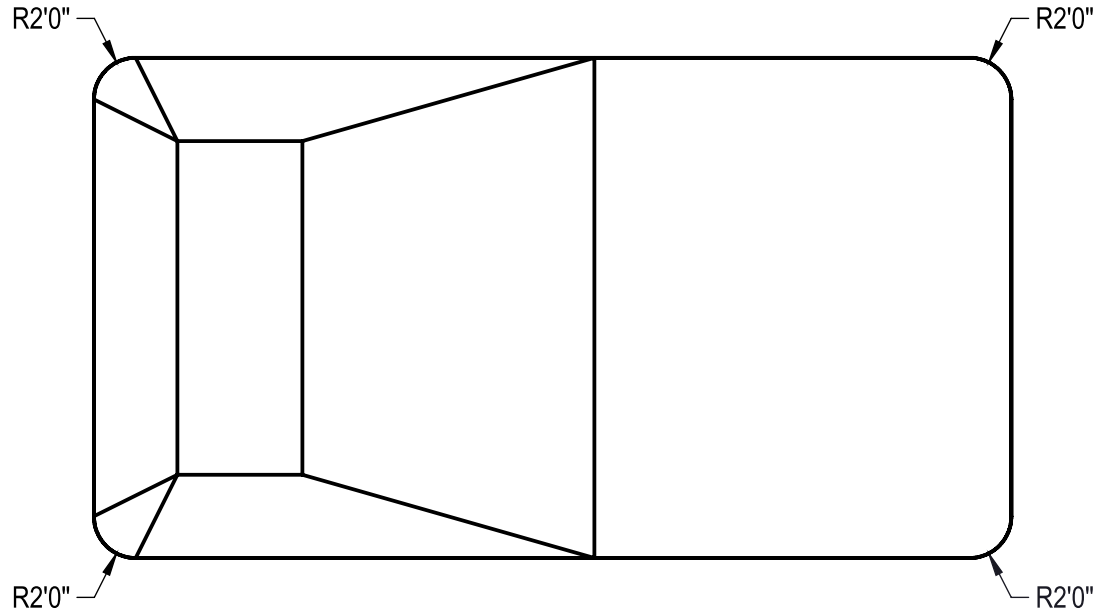
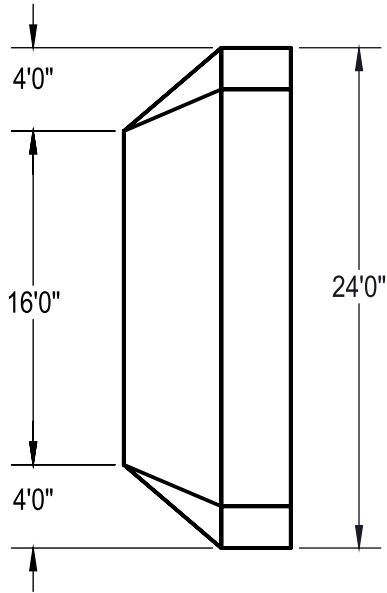
PoolWarehouse
we know swimming pools

TITLE: LAYOUT, 24' X 44' RECTANGLE, 2' RADIUS, 8' DEEP, HS108N, AG, 200 SERIES

PART NUMBER:

SCALE: 1:96
SHEET: 1 OF 2

SIZE: A



NOTES:

1. THESE ARE FINISHED DIMENSIONS READY FOR THE LINER.
2. DIMENSIONS ARE FROM INSIDE POOL PANELS.
3. THE IDEAL WATER LEVEL SHOULD BE TO THE MIDDLE OF THE SKIMMER OPENING(S).

EXCAVATION NOTES:

4. ROUGH EXCAVATION SHOULD BE 2" DEEPER IN EACH INSTANCE
5. SOIL TO HAVE MINIMUM BEARING CAPACITY OF 2000 PSF.
6. LOCATE TOP OF POOL AT LEAST 6" ABOVE THE SURROUNDING LAND ELEVATION
7. SEE "OVER DIG DETAIL" FOR EXCAVATION AROUND POOL.
8. FILL VOIDS UNDER BASE OF PANELS AND TAMP WELL.
9. BACK FILL WITH NON-EXPANSIVE MATERIAL

IMPORTANT NOTES:

THIS DOCUMENT IS FOR ILLUSTRATIVE PURPOSES ONLY. THE DEALER OR CONTRACTOR WHO SELLS OR INSTALLS YOUR POOL IS AN INDEPENDENT CONTRACTOR AND IS NOT AN AGENT OF THE MANUFACTURER. THE CONSTRUCTION METHODS ILLUSTRATED HERE ARE SUGGESTIONS AND APPLY ONLY TO NORMAL GROUND CONDITIONS. THERE MAY BE ADDITIONAL PRECAUTIONS AND/OR METHODS OF CONSTRUCTION. PROPER INSTALLATION IS THE RESPONSIBILITY OF THE DEALER/BUILDER/CONTRACTOR.

NO DIVING WARNING:
ATTENTION DEALER/BUILDER:
 It is your responsibility to ensure the safety package provided is delivered to the pool wonder and that the "NO DIVING" labels are properly installed.



"NO DIVING" WARNING LABELS MUST BE INSTALLED IN NO DIVING AREAS ACCORDING TO ANSI SPECIFICATIONS

Area: 1053ft ^{^2}
 Perimeter: 133ft

PANEL LEGEND



ENGINEERING DRAWING NUMBER: 00005749	WEIGHT: 1643.0 lbs	UNLESS OTHERWISE SPECIFIED DIMENSIONS ARE IN INCHES TOLERANCES DECIMALS: X ± 0.1 XX ± 0.01 XXX ± 0.005 XXXX ± 0.0005 ANGULAR: X ± 0.5 THIRD ANGLE PROJECTION 	DESIGNED BY: RCOLBOCH	CREATION DATE: 4/3/2013	<div style="font-size: 2em; font-weight: bold; margin-bottom: 5px;">PoolWarehouse</div> <div style="font-style: italic; font-weight: normal; margin-bottom: 10px;">we know swimming pools</div> <div style="font-size: 1.2em; font-weight: bold; margin-bottom: 5px;">LAYOUT, 24' X 44' RECTANGLE, 2'</div> <div style="font-size: 1.2em; font-weight: bold; margin-bottom: 5px;">RADIUS, 8' DEEP, HS108N, AG, 200</div> <div style="font-size: 1.2em; font-weight: bold; margin-bottom: 5px;">SERIES</div>
	VOLUME: Inch ³		DETAILED BY: THARKENRIDER	DETAILED DATE: 10/5/2012	
	COLOR:		LAST REVISED BY: hyeng2	LAST REVISED DATE: 5/2/2013	
	HEAT TREAT:		MATERIAL:		
FINISH:	PART NUMBER:		SCALE: 1:96	SIZE: A	
TEXTURE:			SHEET: 1 OF 2		