

NOTES:

1. THESE ARE FINISHED DIMENSIONS READY FOR THE LINER.
2. DIMENSIONS ARE FROM INSIDE POOL PANELS.
3. THE IDEAL WATER LEVEL SHOULD BE TO THE MIDDLE OF THE SKIMMER OPENING(S).

EXCAVATION NOTES:

4. ROUGH EXCAVATION SHOULD BE 2" DEEPER IN EACH INSTANCE
5. SOIL TO HAVE MINIMUM BEARING CAPACITY OF 2000 PSF.
6. LOCATE TOP OF POOL AT LEAST 6" ABOVE THE SURROUNDING LAND ELEVATION
7. SEE "OVER DIG DETAIL" FOR EXCAVATION AROUND POOL.
8. FILL VOIDS UNDER BASE OF PANELS AND TAMP WELL.
9. BACK FILL WITH NON-EXPANSIVE MATERIAL

IMPORTANT NOTES:

THIS DOCUMENT IS FOR ILLUSTRATIVE PURPOSES ONLY. THE DEALER OR CONTRACTOR WHO SELLS OR INSTALLS YOUR POOL IS AN INDEPENDENT CONTRACTOR AND IS NOT AN AGENT OF THE MANUFACTURER. THE CONSTRUCTION METHODS ILLUSTRATED HERE ARE SUGGESTIONS AND APPLY ONLY TO NORMAL GROUND CONDITIONS. THERE MAY BE ADDITIONAL PRECAUTIONS AND/OR METHODS OF CONSTRUCTION. PROPER INSTALLATION IS THE RESPONSIBILITY OF THE DEALER/ BUILDER/CONTRACTOR.

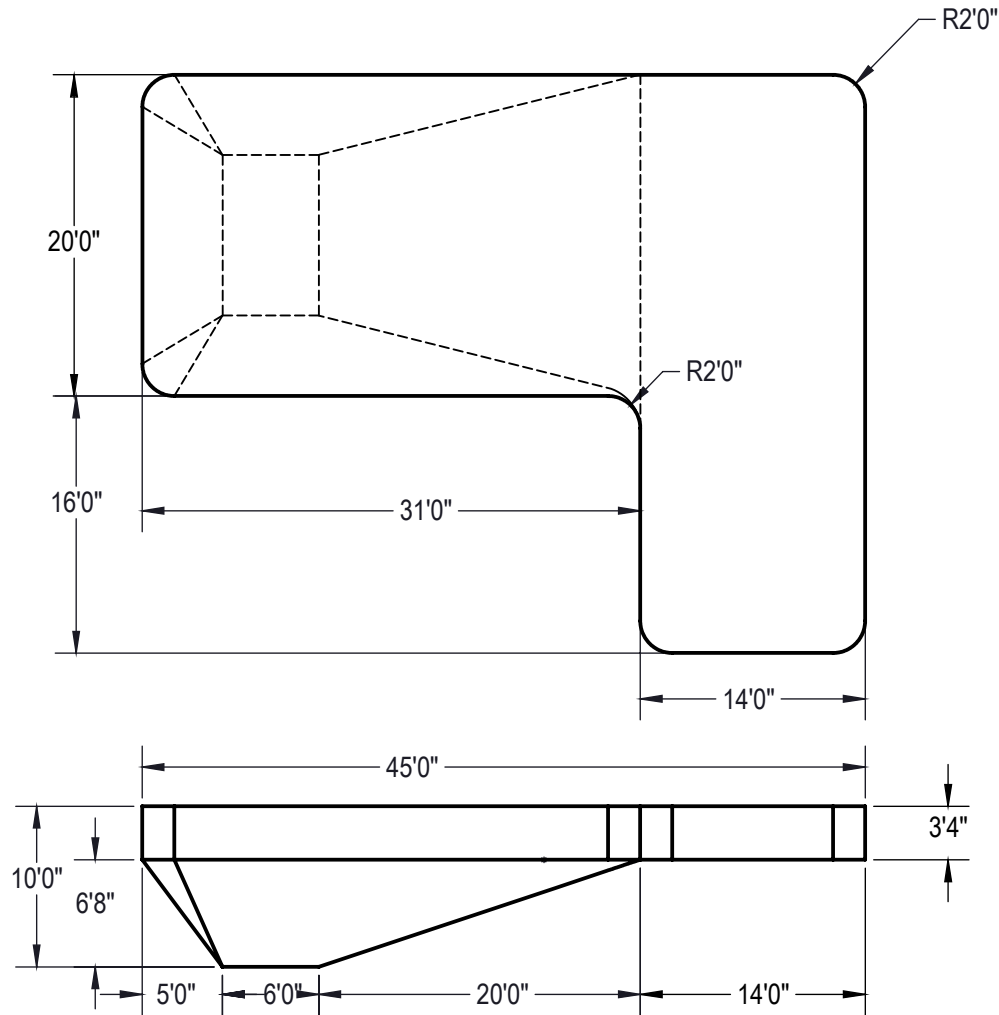
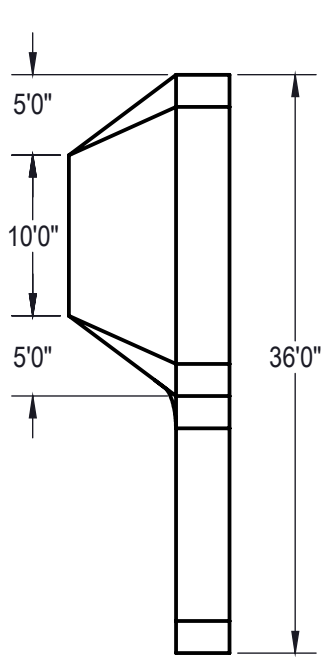
ITEM	FILE NAME	DESCRIPTION	CUSTOMER DRAWING #	VENDOR PART #	QTY.	VENDOR NAME	MATERIAL
1	BRACE	BRACE, 4 TAB, HYDRA - 200 SERIES	HP299	HP299	33	HYDRA POOLS	PS
2	PANEL, 1' LONG	PANEL, 1' LONG - 200 SERIES	HP201	HP201	2	HYDRA POOLS	PS
3	PANEL, 2' LONG	PANEL, 2' LONG - 200 SERIES	HP202	HP202	1	HYDRA POOLS	PS
4	PANEL, 2' RADIUS	PANEL, 2' RADIUS - 200 SERIES	HP252M	HP252M	5	HYDRA POOLS	PS
5	PANEL, 2' REVERSE RADIUS	PANEL, 2' REVERSE RADIUS, 200 SERIES	HP252RR	HP252RR	2	HYDRA POOLS	PS
6	PANEL, 3' LONG	PANEL, 3' LONG - 200 SERIES	HP203	HP203	1	HYDRA POOLS	PS
7	PANEL, 5' LONG	PANEL, 5' LONG - 200 SERIES	HP205	HP205	3	HYDRA POOLS	PS
8	PANEL, 6' LONG	PANEL, 6' LONG - 200 SERIES	HP206	HP206	15	HYDRA POOLS	PS
9	PANEL, 6' LONG WITH AQUA GENIE	PANEL, 6' LONG WITH AQUA GENIE - 200 SERIES	HP206A	HP206A	2	HYDRA POOLS	PS
10	PANEL, 6' LONG WITH LIGHT	PANEL, 6' LONG WITH LIGHT - 200 SERIES	HP206L	HP206L	1	HYDRA POOLS	PS
11	HS108N	STEP, 8' LONG, 4 TREAD	HS108N	HS108N	1	HYDRA POOLS	ABS

ENGINEERING DRAWING NUMBER: 00012370	WEIGHT:	UNLESS OTHERWISE SPECIFIED DIMENSIONS ARE IN INCHES TOLERANCES DECIMALS: X ± .1 XX ± .01 XXX ± .001 XXXX ± .0005 ANGULAR: X ± 0.5 THIRD ANGLE PROJECTION 	DESIGNED BY:	CREATION DATE:
	VOLUME:		RCOLBOCH	4/3/2013
	Inch ³ :		MWILLIAMS	8/16/2016
	COLOR:		LAST REVISED BY:	LAST REVISED DATE:
	HEAT TREAT:		mwiliams	8/16/2016
FINISH:	MATERIAL:			
TEXTURE:				

PoolWarehouse
we know swimming pools

TITLE: LAYOUT, 20' X 45' X 36" TRUE L, LEFT, 2' RADIUS, 10' DEEP, HP299, HS108N, 2-AG, 200 SERIES

PART NUMBER:	SCALE:	SIZE:
00012370	1:192	A
	SHEET:	
	1 OF 3	



NOTES:

1. THESE ARE FINISHED DIMENSIONS READY FOR THE LINER.
2. DIMENSIONS ARE FROM INSIDE POOL PANELS.
3. THE IDEAL WATER LEVEL SHOULD BE TO THE MIDDLE OF THE SKIMMER OPENING(S).

EXCAVATION NOTES:

4. ROUGH EXCAVATION SHOULD BE 2" DEEPER IN EACH INSTANCE
5. SOIL TO HAVE MINIMUM BEARING CAPACITY OF 2000 PSF.
6. LOCATE TOP OF POOL AT LEAST 6" ABOVE THE SURROUNDING LAND ELEVATION
7. SEE "OVER DIG DETAIL" FOR EXCAVATION AROUND POOL.
8. FILL VOIDS UNDER BASE OF PANELS AND TAMP WELL.
9. BACK FILL WITH NON-EXPANSIVE MATERIAL

IMPORTANT NOTES:

THIS DOCUMENT IS FOR ILLUSTRATIVE PURPOSES ONLY. THE DEALER OR CONTRACTOR WHO SELLS OR INSTALLS YOUR POOL IS AN INDEPENDENT CONTRACTOR AND IS NOT AN AGENT OF THE MANUFACTURER. THE CONSTRUCTION METHODS ILLUSTRATED HERE ARE SUGGESTIONS AND APPLY ONLY TO NORMAL GROUND CONDITIONS. THERE MAY BE ADDITIONAL PRECAUTIONS AND/OR METHODS OF CONSTRUCTION. PROPER INSTALLATION IS THE RESPONSIBILITY OF THE DEALER/BUILDER/CONTRACTOR.

NO DIVING WARNING:
ATTENTION DEALER/BUILDER:
 It is your responsibility to ensure the safety package provided is delivered to the pool wonder and that the "NO DIVING" labels are properly installed.



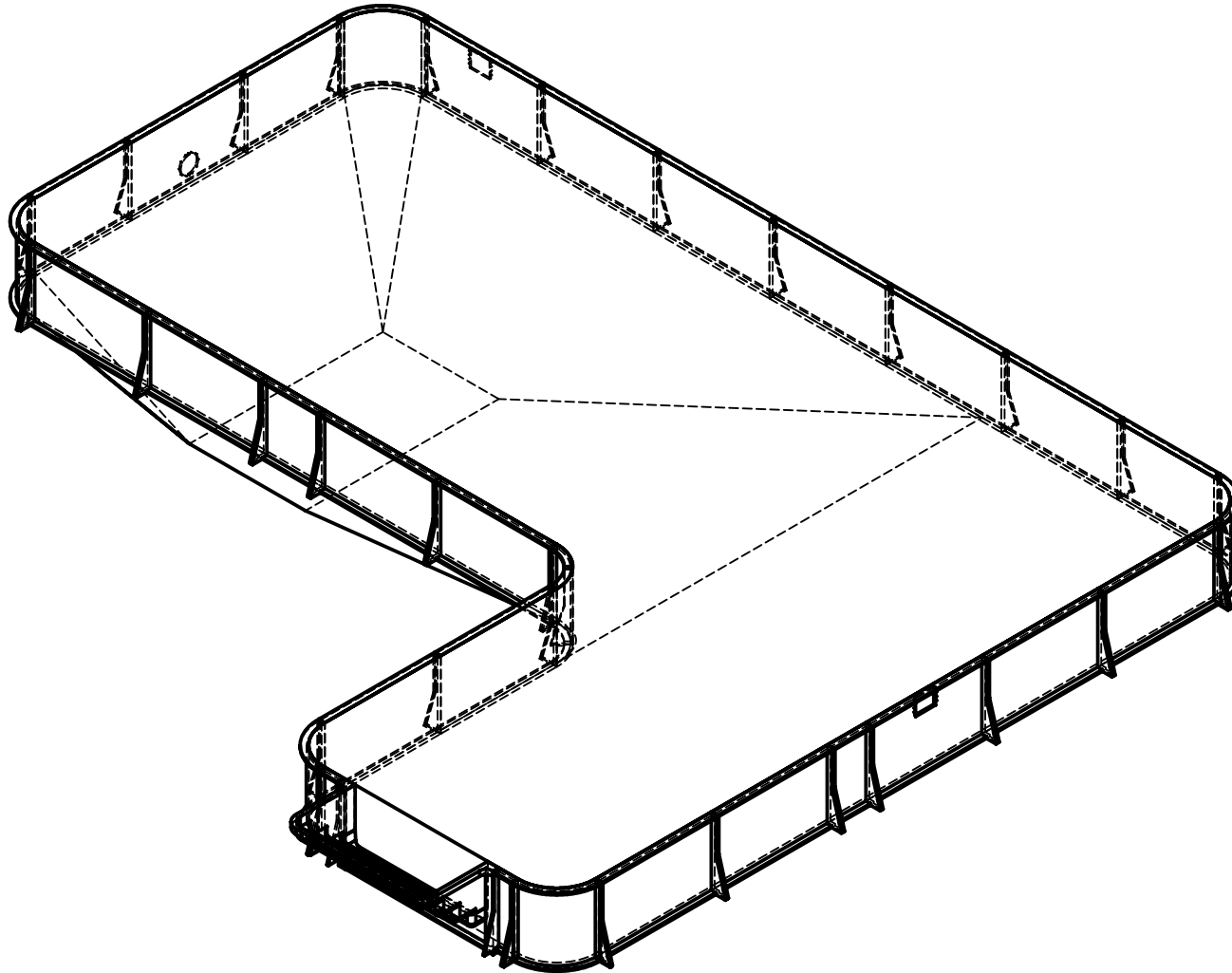
"NO DIVING" WARNING LABELS MUST BE INSTALLED IN NO DIVING AREAS ACCORDING TO ANSI SPECIFICATIONS

SQ FOOT 1120.57'
 PERIMETER 156.85'
 GALLONS 42793

PANEL LEGEND



ENGINEERING DRAWING NUMBER: 00012370	WEIGHT: 361194.7 lbs VOLUME: Inch ³	UNLESS OTHERWISE SPECIFIED DIMENSIONS ARE IN INCHES TOLERANCES DECIMALS: X ± .1 XX ± .01 XXX ± .001 XXXX ± .0005 ANGULAR: X ± 0.5 THIRD ANGLE PROJECTION	DESIGNED BY: RCOLBOCH	CREATION DATE: 4/3/2013	PoolWarehouse <i>we know swimming pools</i> TITLE: LAYOUT, 20' X 45' X 36' TRUE L, LEFT, 2' RADIUS, 10' DEEP, HP299, HS108N, 2-AG, 200 SERIES
	COLOR:		DETAILED BY: MWILLIAMS	DETAILED DATE: 8/16/2016	
	HEAT TREAT:		LAST REVISED BY: mwiliams	LAST REVISED DATE: 8/16/2016	
	FINISH:		MATERIAL:	PART NUMBER: 00012370	
TEXTURE:					SCALE: 1:192 SHEET: 1 OF 3 SIZE: A



NOTES:

1. THESE ARE FINISHED DIMENSIONS READY FOR THE LINER.
2. DIMENSIONS ARE FROM INSIDE POOL PANELS.
3. THE IDEAL WATER LEVEL SHOULD BE TO THE MIDDLE OF THE SKIMMER OPENING(S).

EXCAVATION NOTES:

4. ROUGH EXCAVATION SHOULD BE 2" DEEPER IN EACH INSTANCE
5. SOIL TO HAVE MINIMUM BEARING CAPACITY OF 2000 PSF.
6. LOCATE TOP OF POOL AT LEAST 6" ABOVE THE SURROUNDING LAND ELEVATION
7. SEE "OVER DIG DETAIL" FOR EXCAVATION AROUND POOL.
8. FILL VOIDS UNDER BASE OF PANELS AND TAMP WELL.
9. BACK FILL WITH NON-EXPANSIVE MATERIAL

IMPORTANT NOTES:

THIS DOCUMENT IS FOR ILLUSTRATIVE PURPOSES ONLY. THE DEALER OR CONTRACTOR WHO SELLS OR INSTALLS YOUR POOL IS AN INDEPENDENT CONTRACTOR AND IS NOT AN AGENT OF THE MANUFACTURER. THE CONSTRUCTION METHODS ILLUSTRATED HERE ARE SUGGESTIONS AND APPLY ONLY TO NORMAL GROUND CONDITIONS. THERE MAY BE ADDITIONAL PRECAUTIONS AND/OR METHODS OF CONSTRUCTION. PROPER INSTALLATION IS THE RESPONSIBILITY OF THE DEALER/BUILDER/CONTRACTOR.

SQ FOOT 1120.57"
 PERIMETER 156.85'
 GALLONS 42793

PANEL LEGEND



ENGINEERING DRAWING NUMBER: 00012370	WEIGHT: 361194.7 lbs VOLUME: Inch ³	UNLESS OTHERWISE SPECIFIED DIMENSIONS ARE IN INCHES TOLERANCES DECIMALS: X ± .1 XX ± .01 XXX ± .001 XXXX ± .0005 ANGULAR: X ± 0.5 THIRD ANGLE PROJECTION 	DESIGNED BY: RCOLBOCH	CREATION DATE: 4/3/2013	<div style="border: 1px solid black; padding: 5px; display: inline-block;"> DANGER NO DIVING SHALLOW WATER <small>DIVING MAY CAUSE DEATH OR PERMANENT INJURY</small> </div> <p>"NO DIVING" WARNING LABELS MUST BE INSTALLED IN NO DIVING AREAS ACCORDING TO ANSI SPECIFICATIONS</p>
	COLOR:		DETAILED BY: MWILLIAMS	DETAILED DATE: 8/16/2016	
	HEAT TREAT:		LAST REVISED BY: mwiliams	LAST REVISED DATE: 8/16/2016	
	FINISH: TEXTURE:		MATERIAL:	TITLE: LAYOUT, 20' X 45' X 36' TRUE L, LEFT, 2' RADIUS, 10' DEEP, HP299, HS108N, 2-AG, 200 SERIES	
			PART NUMBER: <div style="font-size: 2em; font-weight: bold; text-align: center;">00012370</div>	SCALE: 1:192 SHEET: 1 OF 3	SIZE: <div style="font-size: 3em; font-weight: bold; text-align: center;">A</div>

NO DIVING WARNING:
 ATTENTION DEALER/BUILDER:
 It is your responsibility to ensure the safety package provided is delivered to the pool wonder and that the "NO DIVING" labels are properly installed.