

NOTES:

1. THESE ARE FINISHED DIMENSIONS READY FOR THE LINER.
2. DIMENSIONS ARE FROM INSIDE POOL PANELS.
3. THE IDEAL WATER LEVEL SHOULD BE TO THE MIDDLE OF THE SKIMMER OPENING(S).

EXCAVATION NOTES:

4. ROUGH EXCAVATION SHOULD BE 2" DEEPER IN EACH INSTANCE
5. SOIL TO HAVE MINIMUM BEARING CAPACITY OF 2000 PSF.
6. LOCATE TOP OF POOL AT LEAST 6" ABOVE THE SURROUNDING LAND ELEVATION
7. SEE "OVER DIG DETAIL" FOR EXCAVATION AROUND POOL.
8. FILL VOIDS UNDER BASE OF PANELS AND TAMP WELL.
9. BACK FILL WITH NON-EXPANSIVE MATERIAL

IMPORTANT NOTES:

THIS DOCUMENT IS FOR ILLUSTRATIVE PURPOSES ONLY. THE DEALER OR CONTRACTOR WHO SELLS OR INSTALLS YOUR POOL IS AN INDEPENDENT CONTRACTOR AND IS NOT AN AGENT OF THE MANUFACTURER. THE CONSTRUCTION METHODS ILLUSTRATED HERE ARE SUGGESTIONS AND APPLY ONLY TO NORMAL GROUND CONDITIONS. THERE MAY BE ADDITIONAL PRECAUTIONS AND/OR METHODS OF CONSTRUCTION. PROPER INSTALLATION IS THE RESPONSIBILITY OF THE DEALER/ BUILDER/CONTRACTOR.

ITEM	FILE NAME	DESCRIPTION	CUSTOMER DRAWING #	VENDOR PART #	QTY.	VENDOR NAME	MATERIAL
1	PANEL, 2' RADIUS	PANEL, 2' RADIUS - 200 SERIES	HP252M	HP252M	5	HYDRA POOLS	PS
2	PANEL, 6' LONG	PANEL, 6' LONG - 200 SERIES	HP206	HP206	9	HYDRA POOLS	PS
3	PANEL, 4' LONG	PANEL, 4' LONG - 200 SERIES	HP204	HP204	3	HYDRA POOLS	PS
4	PANEL, 2' LONG	PANEL, 2' LONG - 200 SERIES	HP202	HP202	1	HYDRA POOLS	PS
5	PANEL, 4' LONG WITH LIGHT	PANEL, 4' LONG WITH LIGHT - 200 SERIES	HP204L	HP204L	1	HYDRA POOLS	PS
6	BRACE	BRACE, 5 TAB, PINNACLE - 100 SERIES	HP199	HP199	26	HYDRA POOLS	PS
7	PANEL, 6' LONG WITH 1084	PANEL, 6' LONG WITH 1084 SKIMMER - 200 SERIES	HP2064	HP2064	2	HYDRA POOLS	PS
8	PANEL, 3' LONG	PANEL, 3' LONG - 200 SERIES	HP203	HP203	2	HYDRA POOLS	PS
9	HS110N	8' TWIN SEAT STEP	HS110N	HS110N	1	HYDRA POOLS	ABS
10	PANEL, 2' REVERSE RADIUS	PANEL, 2' REVERSE RADIUS, 200 SERIES	HP252RR	HP252RR	2	HYDRA POOLS	PS

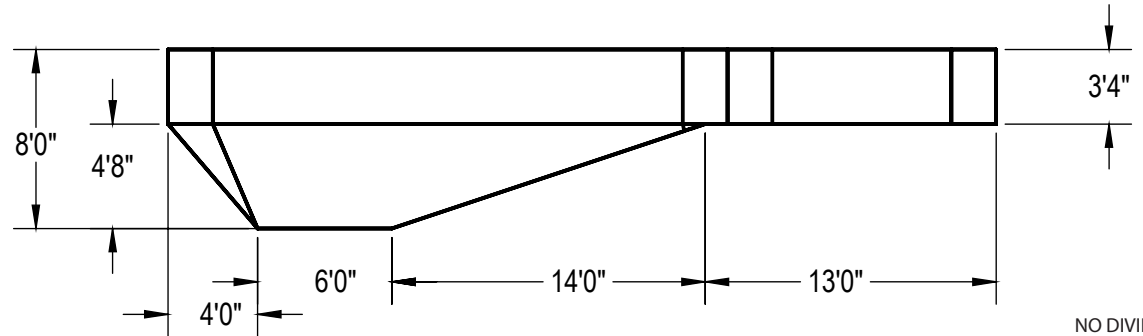
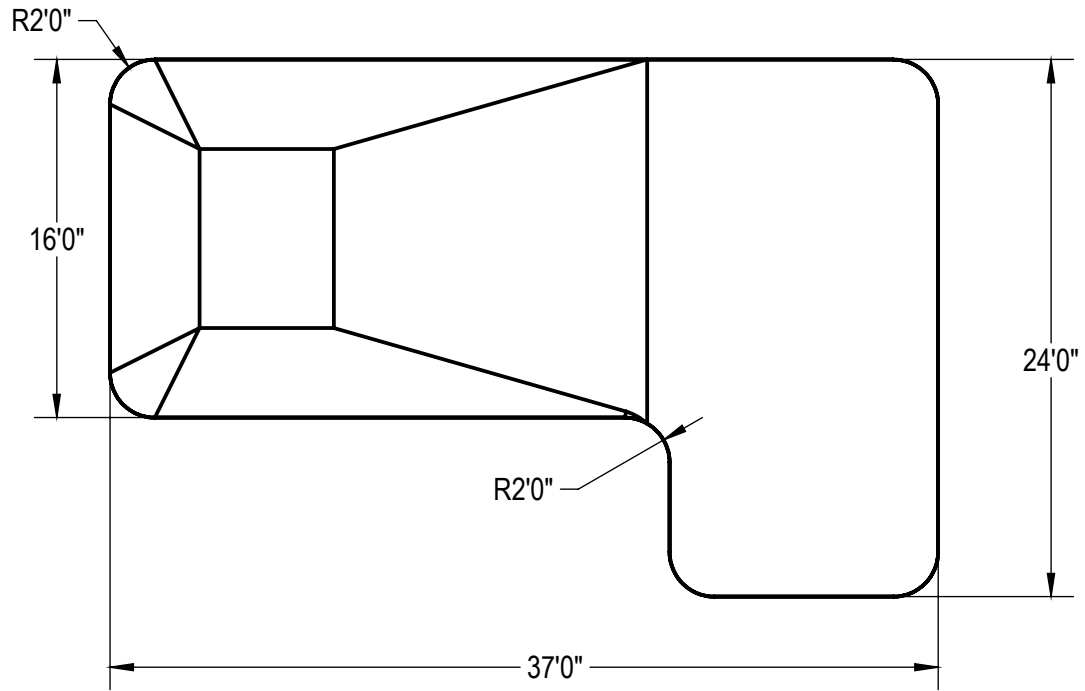
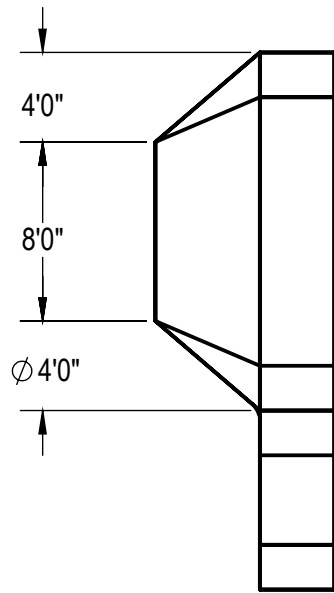
ENGINEERING DRAWING NUMBER: 0003449	WEIGHT:	UNLESS OTHERWISE SPECIFIED DIMENSIONS ARE IN INCHES TOLERANCES DECIMALS: X ± .1 XX ± .01 XXX ± .001 XXXX ± .0005 ANGULAR: X ± 0.5 THIRD ANGLE PROJECTION
	lbs	
	VOLUME:	
	Inch ³	
	COLOR:	
	NA	
HEAT TREAT:		
NA		
FINISH:		
NA		
TEXTURE:		
NA		

DESIGNED BY: RCOLBOCH	CREATION DATE: 5/20/2013
DETAILED BY: JBOSSERDET	DETAILED DATE: 10/5/2012
LAST REVISED BY: jbosserdet	LAST REVISED DATE: 4/22/2015
MATERIAL:	

TITLE: LAYOUT, 16' X 37' X 24' TRUE L, LEFT, 2' RADIUS, 8' DEEP, HS110N, 200 SERIES
PART NUMBER:

PoolWarehouse
we know swimming pools

SCALE: 1:72	SIZE: A
SHEET: 1 OF 3	



NOTES:

1. THESE ARE FINISHED DIMENSIONS READY FOR THE LINER.
2. DIMENSIONS ARE FROM INSIDE POOL PANELS.
3. THE IDEAL WATER LEVEL SHOULD BE TO THE MIDDLE OF THE SKIMMER OPENING(S).

EXCAVATION NOTES:

4. ROUGH EXCAVATION SHOULD BE 2" DEEPER IN EACH INSTANCE
5. SOIL TO HAVE MINIMUM BEARING CAPACITY OF 2000 PSF.
6. LOCATE TOP OF POOL AT LEAST 6" ABOVE THE SURROUNDING LAND ELEVATION
7. SEE "OVER DIG DETAIL" FOR EXCAVATION AROUND POOL.
8. FILL VOIDS UNDER BASE OF PANELS AND TAMP WELL.
9. BACK FILL WITH NON-EXPANSIVE MATERIAL

IMPORTANT NOTES:

THIS DOCUMENT IS FOR ILLUSTRATIVE PURPOSES ONLY. THE DEALER OR CONTRACTOR WHO SELLS OR INSTALLS YOUR POOL IS AN INDEPENDENT CONTRACTOR AND IS NOT AN AGENT OF THE MANUFACTURER. THE CONSTRUCTION METHODS ILLUSTRATED HERE ARE SUGGESTIONS AND APPLY ONLY TO NORMAL GROUND CONDITIONS. THERE MAY BE ADDITIONAL PRECAUTIONS AND/OR METHODS OF CONSTRUCTION. PROPER INSTALLATION IS THE RESPONSIBILITY OF THE DEALER/BUILDER/CONTRACTOR.

Area: $684'81 \frac{1}{2}''^2$
 Perimeter: $116'10 \frac{1}{4}''$
 23752.31 US gallons

PANEL LEGEND



NO DIVING WARNING:
ATTENTION DEALER/BUILDER:
 It is your responsibility to ensure the safety package provided is delivered to the pool wonder and that the "NO DIVING" labels are properly installed.



"NO DIVING" WARNING LABELS MUST BE INSTALLED IN NO DIVING AREAS ACCORDING TO ANSI SPECIFICATIONS

ENGINEERING DRAWING NUMBER: 0003449	WEIGHT: lbs	UNLESS OTHERWISE SPECIFIED DIMENSIONS ARE IN INCHES TOLERANCES DECIMALS: X ± .1 XX ± .01 XXX ± .001 XXXX ± .0005 ANGULAR: X ± 0.5 THIRD ANGLE PROJECTION	DESIGNED BY: RCOLBOCH	CREATION DATE: 5/20/2013	<h1>PoolWarehouse</h1> <p><i>we know swimming pools</i></p>		
	VOLUME: Inch³		DETAILED BY: JBOSSEDET	DETAILED DATE: 10/5/2012			
	NA COLOR:		LAST REVISED BY: jbossedet	LAST REVISED DATE: 4/22/2015			
	HEAT TREAT: NA		MATERIAL:				
FINISH: NA			TITLE: LAYOUT, 16' X 37' X 24' TRUE L, LEFT, 2' RADIUS, 8' DEEP, HS110N, 200 SERIES		PART NUMBER:		
TEXTURE: NA						SCALE: 1:72	SIZE: A
						SHEET: 1 OF 3	