

NOTES:

1. THESE ARE FINISHED DIMENSIONS READY FOR THE LINER.
2. DIMENSIONS ARE FROM INSIDE POOL PANELS.
3. THE IDEAL WATER LEVEL SHOULD BE TO THE MIDDLE OF THE SKIMMER OPENING(S).

EXCAVATION NOTES:

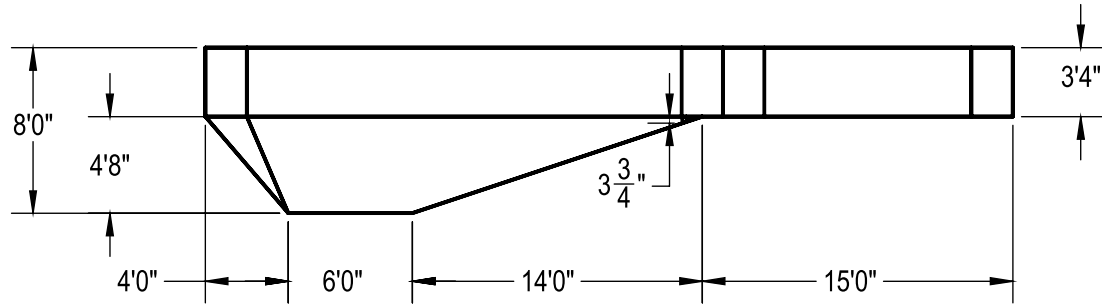
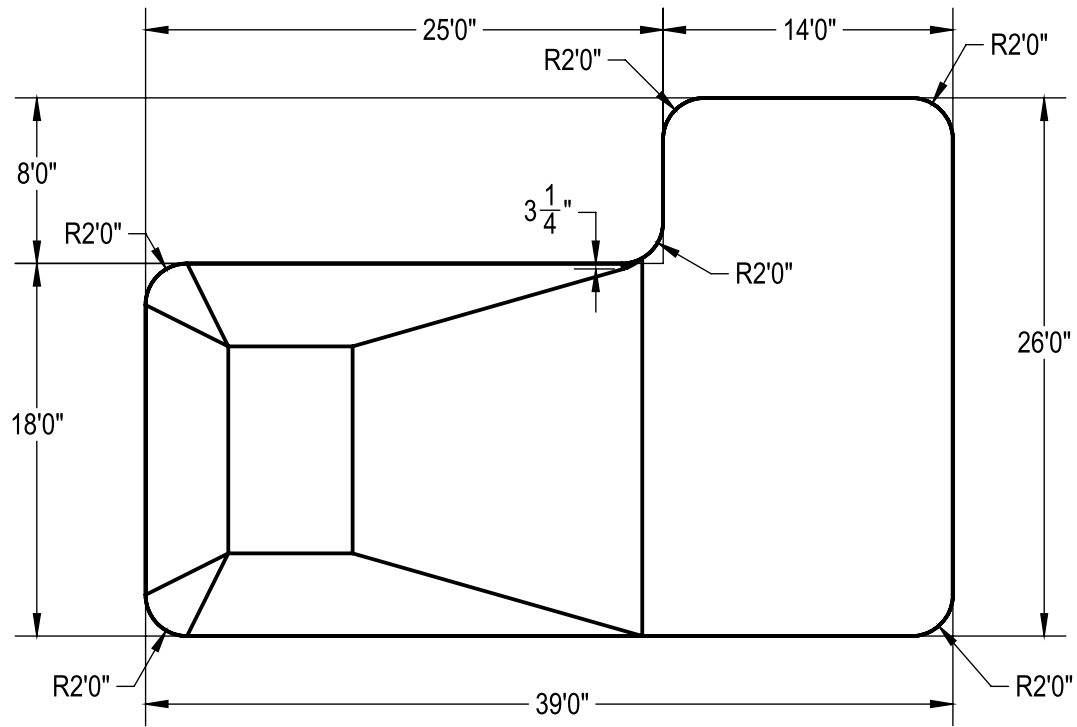
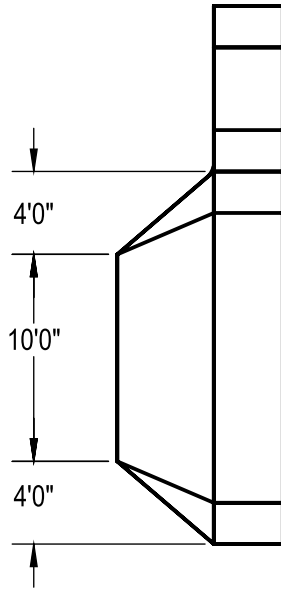
4. ROUGH EXCAVATION SHOULD BE 2" DEEPER IN EACH INSTANCE
5. SOIL TO HAVE MINIMUM BEARING CAPACITY OF 2000 PSF.
6. LOCATE TOP OF POOL AT LEAST 6" ABOVE THE SURROUNDING LAND ELEVATION
7. SEE "OVER DIG DETAIL" FOR EXCAVATION AROUND POOL.
8. FILL VOIDS UNDER BASE OF PANELS AND TAMP WELL.
9. BACK FILL WITH NON-EXPANSIVE MATERIAL

IMPORTANT NOTES:

THIS DOCUMENT IS FOR ILLUSTRATIVE PURPOSES ONLY. THE DEALER OR CONTRACTOR WHO SELLS OR INSTALLS YOUR POOL IS AN INDEPENDENT CONTRACTOR AND IS NOT AN AGENT OF THE MANUFACTURER. THE CONSTRUCTION METHODS ILLUSTRATED HERE ARE SUGGESTIONS AND APPLY ONLY TO NORMAL GROUND CONDITIONS. THERE MAY BE ADDITIONAL PRECAUTIONS AND/OR METHODS OF CONSTRUCTION. PROPER INSTALLATION IS THE RESPONSIBILITY OF THE DEALER/ BUILDER/CONTRACTOR.

ITEM	FILE NAME	DESCRIPTION	CUSTOMER DRAWING #	VENDOR PART #	QTY.	VENDOR NAME	MATERIAL
1	PANEL, STRAIGHT	PANEL, 3' LONG	HPSD103P	00000643	3	SAMSON STEEL	G-235, 14 GA, CS-B
2	PANEL, STRAIGHT	PANEL, 8' LONG	HPSD108P	00000687	6	SAMSON STEEL	G-235, 14 GA, CS-B
3	PANEL, STRAIGHT	PANEL, 8' LONG AQUAGENIE	HPSD108AG	00000697	3	SAMSON STEEL	G-235, 14 GA, CS-B
4	PANEL, STRAIGHT	PANEL, 6' LONG	HPSD106P	00000676	1	SAMSON STEEL	G-235, 14 GA, CS-B
5	PANEL, STRAIGHT	PANEL, 1' LONG	HPSD101P	00000621	2	SAMSON STEEL	G-235, 14 GA, CS-B
6	PANEL, STRAIGHT	PANEL, 4' LONG	HPSD104P	00000274	1	SAMSON STEEL	G-235, 14 GA, CS-B
7	PANEL, STRAIGHT	PANEL, 5' LONG	HPSD105P	00000674	1	SAMSON STEEL	G-235, 14 GA, CS-B
8	PANEL, STRAIGHT	PANEL, 8' LONG LIGHT	HPSD108L	00000701	1	SAMSON STEEL	G-235, 14 GA, CS-B
9	PANEL, RADIUS	PANEL, 2' RADIUS, 37.7" LONG	HPSD2R	00000287	5	SAMSON STEEL	G-235, 14 GA, CS-B
10	PANEL, RR	PANEL, 2' REVERSE RADIUS, 3'1.75" LONG	HPSD2RR	00000288	1	SAMSON STEEL	G-235, 14 GA, CS-B
11	BOLT, PACK	BOLT, FLANGE, 3/8-16 X 1", PACK (50)	HPS1916	HPS1916	9		AISI 1020
12	SBRACE	BRACE, FOLD OVER WITH TURNBUCKLE, STEEL, HPSFOB	HPSFOB	HPSFOB	23	SAMSON STEEL	G-235, 14 GA, CS-B

ENGINEERING DRAWING NUMBER: 00003500	WEIGHT:	UNLESS OTHERWISE SPECIFIED DIMENSIONS ARE IN INCHES TOLERANCES DECIMALS: X ± .1 XX ± .01 XXX ± .001 XXXX ± .0005 ANGULAR: X ± 0.5 THIRD ANGLE PROJECTION	DESIGNED BY:	CREATION DATE:	<h1>PoolWarehouse</h1> <p><i>we know swimming pools</i></p>
	lbs		RCOLBOCH	5/20/2013	
	VOLUME:		RCOLBOCH	10/5/2012	
	Inch ³		JBOSSERDET	4/22/2015	
COLOR:			LAST REVISED BY:	LAST REVISED DATE:	TITLE:
NA			Jbosserdet	4/22/2015	LAYOUT, 18' X 39' X 26' TRUE ELL, RIGHT, 2' RADIUS, 8' DEEP, STEEL, ASSEMBLY
HEAT TREAT:			MATERIAL:		PART NUMBER:
NA					60571
FINISH:					SCALE:
NA					1:72
TEXTURE:					SHEET:
NA					1 OF 3
					SIZE:
					A



NOTES:

1. THESE ARE FINISHED DIMENSIONS READY FOR THE LINER.
2. DIMENSIONS ARE FROM INSIDE POOL PANELS.
3. THE IDEAL WATER LEVEL SHOULD BE TO THE MIDDLE OF THE SKIMMER OPENING(S).

EXCAVATION NOTES:

4. ROUGH EXCAVATION SHOULD BE 2" DEEPER IN EACH INSTANCE
5. SOIL TO HAVE MINIMUM BEARING CAPACITY OF 2000 PSF.
6. LOCATE TOP OF POOL AT LEAST 6" ABOVE THE SURROUNDING LAND ELEVATION
7. SEE "OVER DIG DETAIL" FOR EXCAVATION AROUND POOL.
8. FILL VOIDS UNDER BASE OF PANELS AND TAMP WELL.
9. BACK FILL WITH NON-EXPANSIVE MATERIAL

IMPORTANT NOTES:

THIS DOCUMENT IS FOR ILLUSTRATIVE PURPOSES ONLY. THE DEALER OR CONTRACTOR WHO SELLS OR INSTALLS YOUR POOL IS AN INDEPENDENT CONTRACTOR AND IS NOT AN AGENT OF THE MANUFACTURER. THE CONSTRUCTION METHODS ILLUSTRATED HERE ARE SUGGESTIONS AND APPLY ONLY TO NORMAL GROUND CONDITIONS. THERE MAY BE ADDITIONAL PRECAUTIONS AND/OR METHODS OF CONSTRUCTION. PROPER INSTALLATION IS THE RESPONSIBILITY OF THE DEALER/BUILDER/CONTRACTOR.

NO DIVING WARNING:
ATTENTION DEALER/BUILDER:
 It is your responsibility to ensure the safety package provided is delivered to the pool wonder and that the "NO DIVING" labels are properly installed.



"NO DIVING" WARNING LABELS MUST BE INSTALLED IN NO DIVING AREAS ACCORDING TO ANSI SPECIFICATIONS

PANEL LEGEND



ENGINEERING DRAWING NUMBER: 0003500	WEIGHT: lbs VOLUME: Inch ³	UNLESS OTHERWISE SPECIFIED DIMENSIONS ARE IN INCHES TOLERANCES DECIMALS: X ± .1 XX ± .01 XXX ± .001 XXXX ± .0005 ANGULAR: X ± 0.5 THIRD ANGLE PROJECTION	DESIGNED BY: RCOLBOCH	CREATION DATE: 5/20/2013	PoolWarehouse <i>we know swimming pools</i> LAYOUT, 18' X 39' X 26' TRUE ELL, RIGHT, 2' RADIUS, 8' DEEP, STEEL, ASSEMBLY	
	COLOR: NA		DETAILED BY: JBOSSERDET	DETAILED DATE: 10/5/2012		
	HEAT TREAT: NA		LAST REVISED BY: jbosserdet	LAST REVISED DATE: 4/22/2015		
	FINISH: NA		MATERIAL:			
TEXTURE: NA			PART NUMBER: 60571		SCALE: 1:72 SHEET: 1 OF 3	SIZE: A