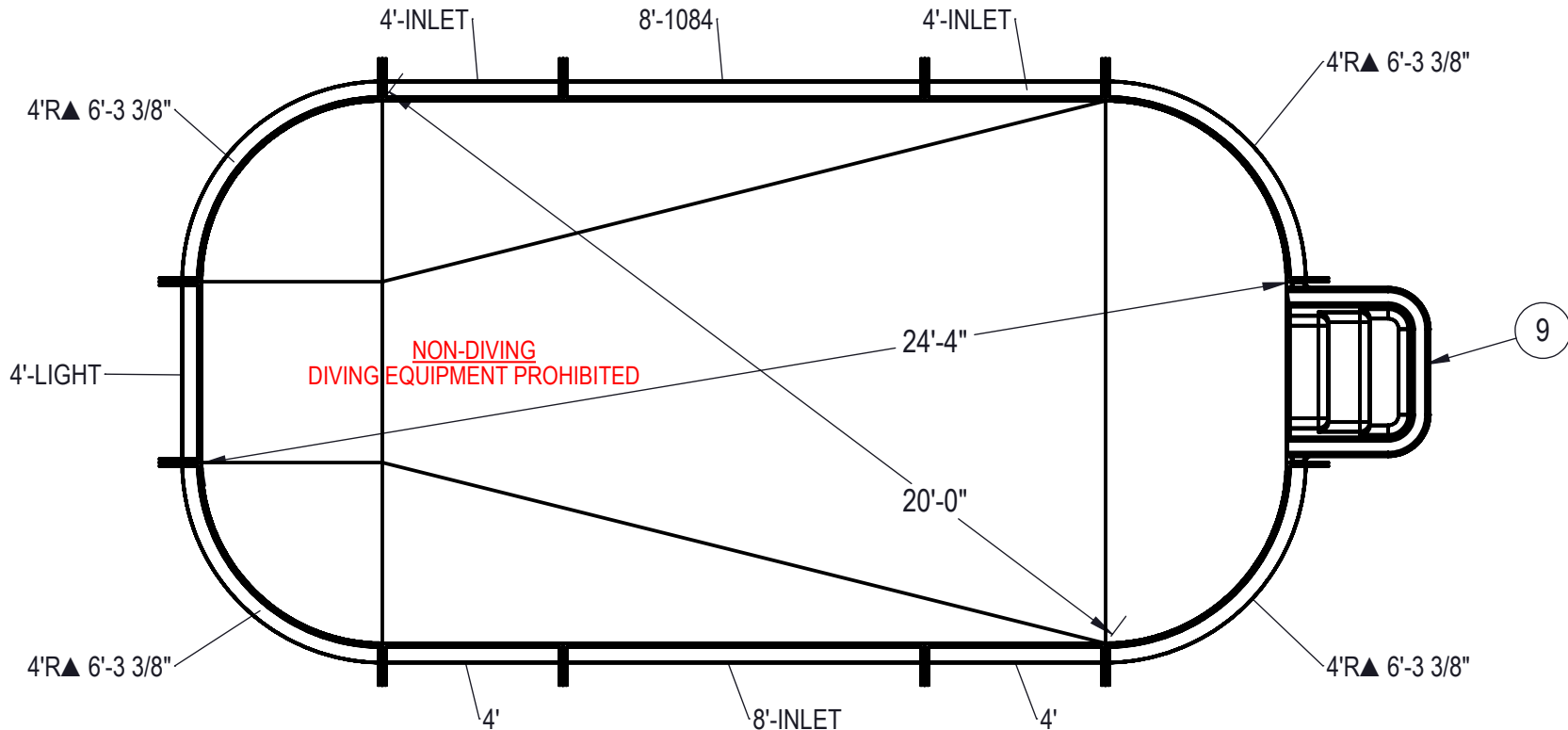


REVISION HISTORY				
REV.	DESCRIPTION	DATE	ECO	BY

MIRROR NUMBER: 00017003  
CHECK IN DATE/TIME: 1/25/2017 1:59:28 PM



**NOTES:**

- THESE ARE FINISHED DIMENSIONS READY FOR THE LINER.
- DIMENSIONS ARE FROM INSIDE POOL PANELS.
- ROPE AND FLOAT ASSEMBLY SHOULD BE INSTALLED IN ACCORDANCE WITH CURRENT ANSI/ASPS/ICC REGULATIONS
- HYDRA LINER TRACK FOR STEPS IS INSTALLED WITH THE BARB FACING THE RISER WALL ON THE STEP.

**EXCAVATION NOTES:**

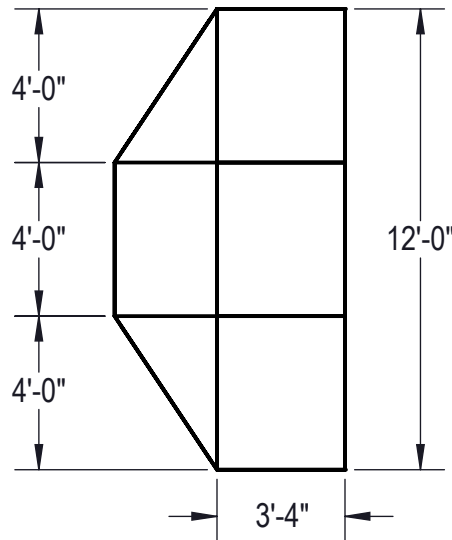
- ROUGH EXCAVATION SHOULD BE 2" DEEPER IN EACH INSTANCE.
- SOIL TO HAVE MINIMUM BEARING CAPACITY OF 1500 PSF.
- LOCATE TOP OF POOL AT LEAST 6" ABOVE THE SURROUNDING LAND ELEVATION.
- SEE "OVER DIG DETAIL" FOR EXCAVATION AROUND POOL.
- FILL VOIDS UNDER BASE OF PANELS AND TAMP WELL.
- BACK FILL WITH NON-EXPANSIVE MATERIAL.
- FOLLOW ALL CURRENT ANSI / APSP / ICC GUIDELINES FOR RESIDENTIAL POOLS

**IMPORTANT NOTES:**

THIS DOCUMENT IS FOR ILLUSTRATIVE PURPOSES ONLY. THE DEALER OR CONTRACTOR WHO SELLS OR INSTALLS YOUR POOL IS AN INDEPENDENT CONTRACTOR AND IS NOT AN AGENT OF THE MANUFACTURER. THE CONSTRUCTION METHODS ILLUSTRATED HERE ARE SUGGESTIONS AND APPLY ONLY TO NORMAL GROUND CONDITIONS. THERE MAY BE ADDITIONAL PRECAUTIONS AND/OR METHODS OF CONSTRUCTION. PROPER INSTALLATION IS THE RESPONSIBILITY OF THE DEALER/BUILDER/CONTRACTOR.

ITEM	FILE NAME	DESCRIPTION	CUSTOMER DRAWING #	VENDOR PART #	QTY
1	BOLT, PACK	BOLT, FLANGE, 3/8-16 X 1", PACK (50)	HPS1916	HPS1916	3
2	SBRACE	BRACE, FOLD OVER WITH TURNBUCKLE, STEEL, HPSFOB	HPSFOB	HPSFOB	12
3	PANEL, STRAIGHT	PANEL, 4' LONG, 700 SERIES	HPSE104P	00002723	2
4	PANEL, STRAIGHT	PANEL, 4' LONG, INLET, 700 SERIES	HPSE104I	00006739	2
5	PANEL, STRAIGHT	PANEL, 4' LONG, LIGHT, 700 SERIES	HPSCS5	00008333	1
6	PANEL, RADIUS	PANEL, 4' RADIUS, 6' 3 3/8" LONG, 700 SERIES	HPSE4R	00002458	4
7	PANEL, STRAIGHT	PANEL, 8' LONG, 1084, 700 SERIES	HPSE10884	00004966	1
8	PANEL, STRAIGHT	PANEL, 8' LONG, INLET, 700 SERIES	HPSE108I	00004969	1
9	HS102N	STEP, 4' STRAIGHT, 3 TREAD	HS102N	HS102N	1

ENGINEERING DRAWING NUMBER: <b>00017003</b>	WEIGHT: 85259.1 lbs	<b>UNLESS OTHERWISE SPECIFIED</b> DIMENSIONS ARE IN INCHES TOLERANCES DECIMALS: X ± .1 XX ± .01 XXX ± .001 XXXX ± .0005  ANGULAR: X ± 0.5 THIRD ANGLE PROJECTION 	DESIGNED BY: BUMPHREY	CREATION DATE: 7/31/2013	<b>HYDRA POOLS</b>
	VOLUME: Inch³		DETAILED BY: BUMPHREY	DETAILED DATE: 12/19/2017	
	COLOR:		LAST REVISED BY: bumphrey	LAST REVISED DATE: 12/19/2017	
	HEAT TREAT:		MATERIAL:	TITLE: LAYOUT, 12' X 24', RECTANGLE, 4' RADIUS, 6' DEEP, WEDGE BOTTOM, HS102N, LIGHT, 1084, 3-INLETS, 700 SERIES	
	FINISH:		PART NUMBER: <b>00017003</b>		
TEXTURE:	SCALE: 1:48		SIZE: <b>A</b>		



**Area: 274.27ft ^2**  
**Perimeter: 65.13ft**  
**Volume = 8655 US gallons**

**NOTES:**

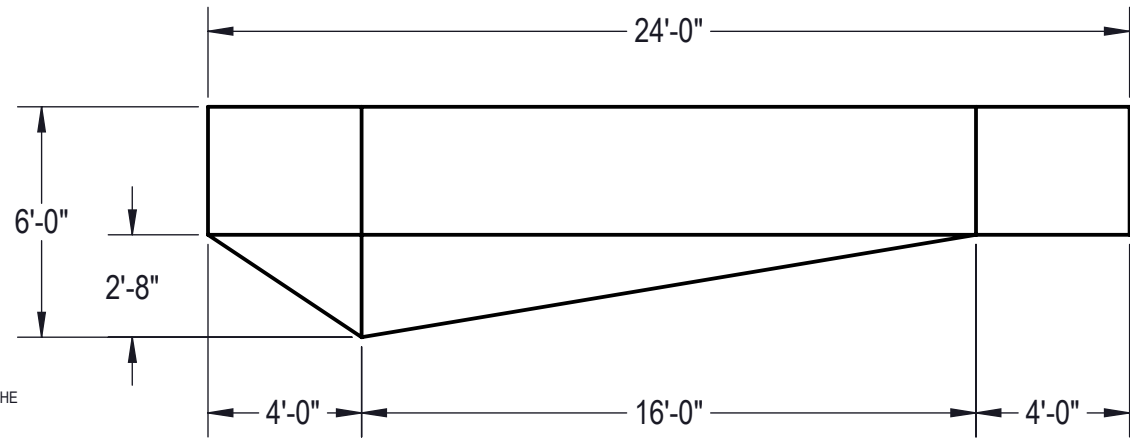
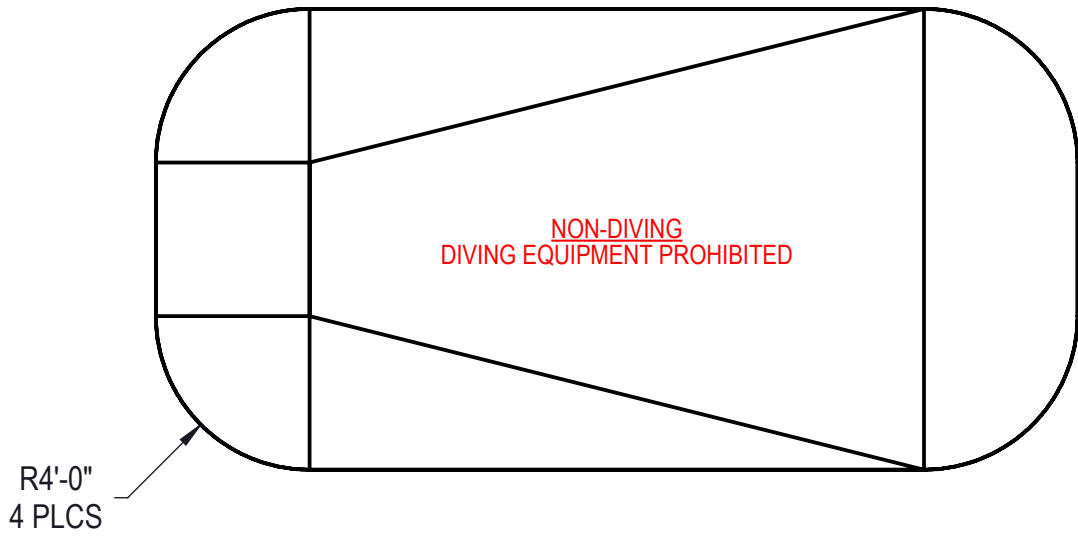
1. THESE ARE FINISHED DIMENSIONS READY FOR THE LINER.
2. DIMENSIONS ARE FROM INSIDE POOL PANELS.
3. ROPE AND FLOAT ASSEMBLY SHOULD BE INSTALLED IN ACCORDANCE WITH CURRENT ANSI/APSP/ICC REGULATIONS
4. HYDRA LINER TRACK FOR STEPS IS INSTALLED WITH THE BARB FACING THE RISER WALL ON THE STEP.

**EXCAVATION NOTES:**

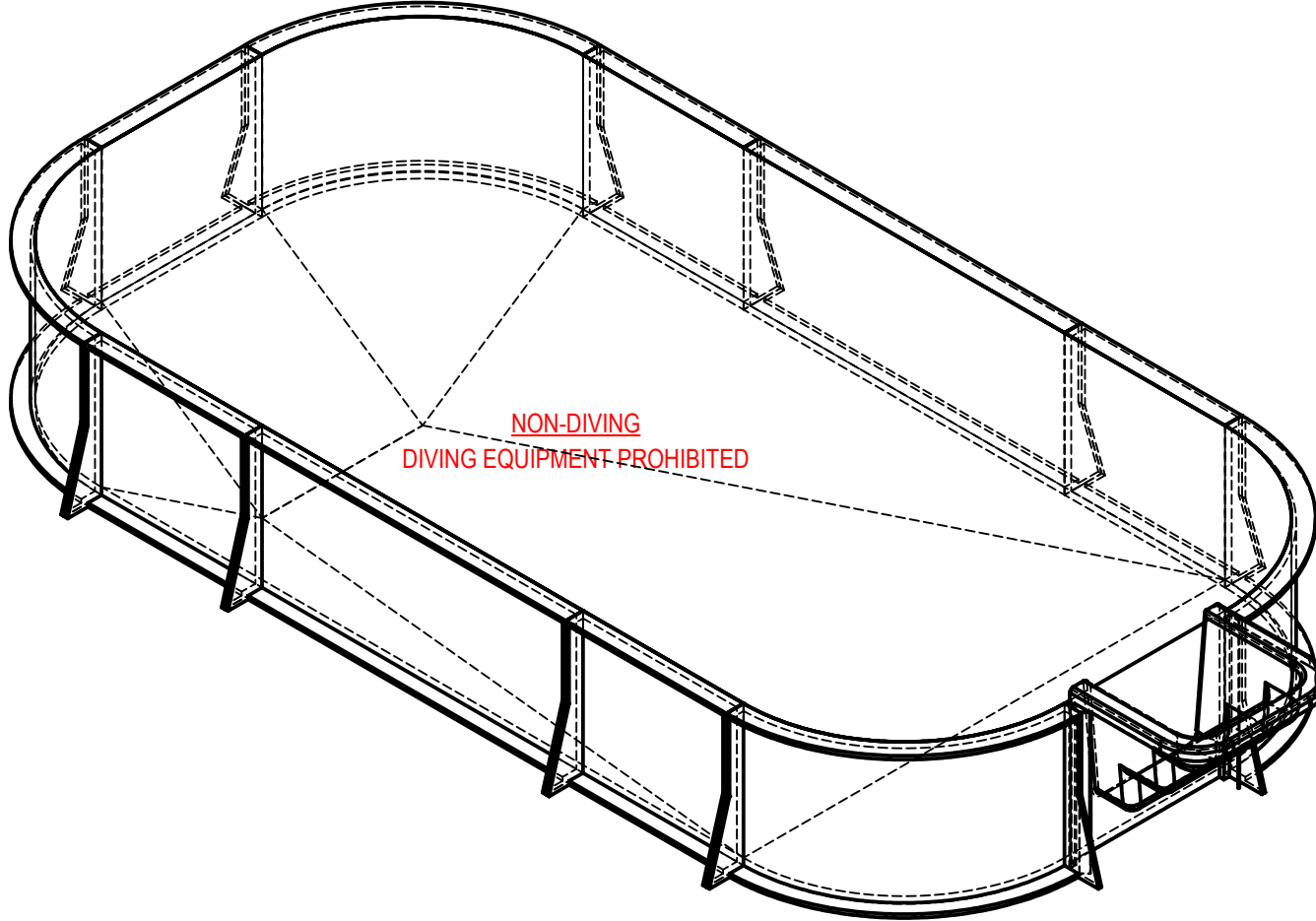
5. ROUGH EXCAVATION SHOULD BE 2" DEEPER IN EACH INSTANCE.
6. SOIL TO HAVE MINIMUM BEARING CAPACITY OF 1500 PSF.
7. LOCATE TOP OF POOL AT LEAST 6" ABOVE THE SURROUNDING LAND ELEVATION.
8. SEE "OVER DIG DETAIL" FOR EXCAVATION AROUND POOL.
9. FILL VOIDS UNDER BASE OF PANELS AND TAMP WELL.
10. BACK FILL WITH NON-EXPANSIVE MATERIAL.
11. FOLLOW ALL CURRENT ANSI / APSP / ICC GUIDELINES FOR RESIDENTIAL POOLS

**IMPORTANT NOTES:**


THIS DOCUMENT IS FOR ILLUSTRATIVE PURPOSES ONLY. THE DEALER OR CONTRACTOR WHO SELLS OR INSTALLS YOUR POOL IS AN INDEPENDENT CONTRACTOR AND IS NOT AN AGENT OF THE MANUFACTURER. THE CONSTRUCTION METHODS ILLUSTRATED HERE ARE SUGGESTIONS AND APPLY ONLY TO NORMAL GROUND CONDITIONS. THERE MAY BE ADDITIONAL PRECAUTIONS AND/OR METHODS OF CONSTRUCTION. PROPER INSTALLATION IS THE RESPONSIBILITY OF THE DEALER/BUILDER/CONTRACTOR.



ENGINEERING DRAWING NUMBER: <b>00017003</b>	WEIGHT: 72229.387 lbs	<b>UNLESS OTHERWISE SPECIFIED</b> DIMENSIONS ARE IN INCHES TOLERANCES DECIMALS: X ± .1 XX ± .01 XXX ± .001 XXXX ± .0005  ANGULAR: X ± 0.5 THIRD ANGLE PROJECTION 	DESIGNED BY: BUMPHREY	CREATION DATE: 7/31/2013	<b>HYDRA POOLS</b>	
	VOLUME: 1999303.108 Inch <sup>3</sup>		DETAILED BY: BUMPHREY	DETAILED DATE: 12/19/2017		
	COLOR: NA		LAST REVISED BY: bumphrey	LAST REVISED DATE: 12/19/2017	TITLE: LAYOUT, 12' X 24', RECTANGLE, 4' RADIUS, 6' DEEP, WEDGE BOTTOM, HS102N, LIGHT, 1084, 3-INLETS, 700 SERIES	
	HEAT TREAT: NA		MATERIAL: Water			
	FINISH: NA		PART NUMBER: <b>00017003</b>			
TEXTURE: NA			SHEET: 2 OF 3			



NON-DIVING  
DIVING EQUIPMENT PROHIBITED

ENGINEERING DRAWING NUMBER: <b>00017003</b>	WEIGHT: 85259.1 lbs	<b>UNLESS OTHERWISE SPECIFIED</b> DIMENSIONS ARE IN INCHES TOLERANCES DECIMALS: X ± .1 XX ± .01 XXX ± .001 XXXX ± .0005  ANGULAR: X ± 0.5 THIRD ANGLE PROJECTION 	DESIGNED BY: BUMPHREY	CREATION DATE: 7/31/2013	<b>HYDRA POOLS</b>	
	VOLUME: Inch <sup>3</sup>		DETAILED BY: BUMPHREY	DETAILED DATE: 12/19/2017		
	COLOR:		LAST REVISED BY: bumphrey	LAST REVISED DATE: 12/19/2017		
	HEAT TREAT:		MATERIAL:		TITLE:	LAYOUT, 12' X 24', RECTANGLE, 4' RADIUS, 6" DEEP, WEDGE BOTTOM, HS102N, LIGHT, 1084, 3-INLETS, 700 SERIES
	FINISH:				PART NUMBER:	<b>00017003</b>
	TEXTURE:				SCALE:	1:48
				SHEET:	3 OF 3	