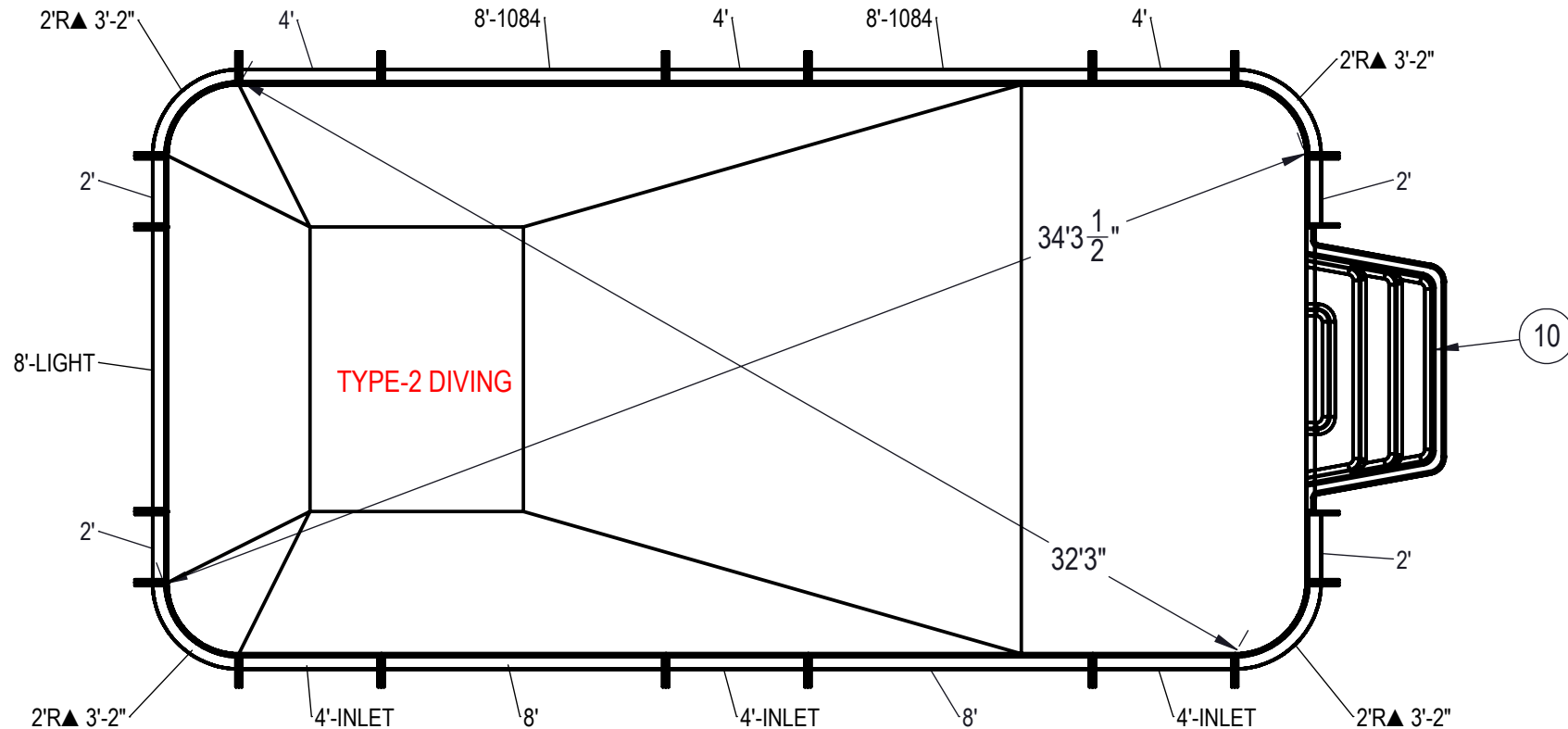


REVISION HISTORY				
REV.	DESCRIPTION	DATE	ECO	BY



NOTES:

- THESE ARE FINISHED DIMENSIONS READY FOR THE LINER.
- DIMENSIONS ARE FROM INSIDE POOL PANELS.
- ROPE AND FLOAT ASSEMBLY SHOULD BE INSTALLED IN ACCORDANCE WITH CURRENT ANSI/ASPS/ICC REGULATIONS
- HYDRA LINER TRACK FOR STEPS IS INSTALLED WITH THE BARB FACING THE RISER WALL ON THE STEP.

EXCAVATION NOTES:

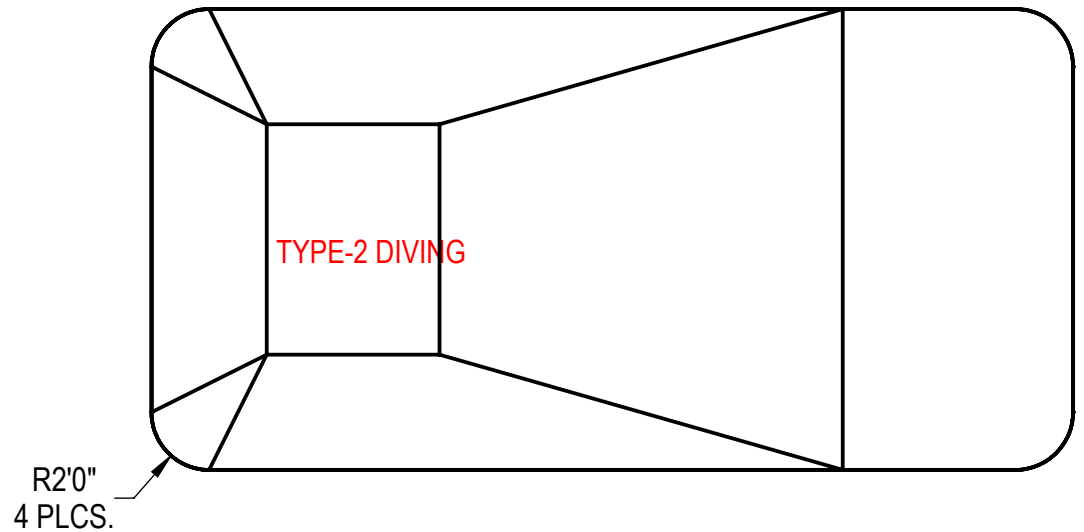
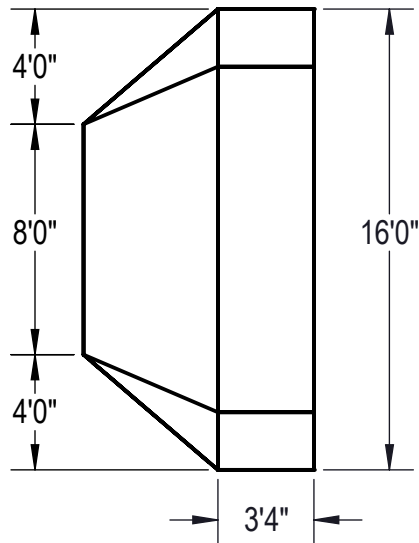
- ROUGH EXCAVATION SHOULD BE 2" DEEPER IN EACH INSTANCE.
- SOIL TO HAVE MINIMUM BEARING CAPACITY OF 1500 PSF.
- LOCATE TOP OF POOL AT LEAST 6" ABOVE THE SURROUNDING LAND ELEVATION.
- SEE "OVER DIG DETAIL" FOR EXCAVATION AROUND POOL.
- FILL VOIDS UNDER BASE OF PANELS AND TAMP WELL.
- BACK FILL WITH NON-EXPANSIVE MATERIAL.
- FOLLOW ALL CURRENT ANSI / ASP / ICC GUIDELINES FOR RESIDENTIAL POOLS

IMPORTANT NOTES:

THIS DOCUMENT IS FOR ILLUSTRATIVE PURPOSES ONLY. THE DEALER OR CONTRACTOR WHO SELLS OR INSTALLS YOUR POOL IS AN INDEPENDENT CONTRACTOR AND IS NOT AN AGENT OF THE MANUFACTURER. THE CONSTRUCTION METHODS ILLUSTRATED HERE ARE SUGGESTIONS AND APPLY ONLY TO NORMAL GROUND CONDITIONS. THERE MAY BE ADDITIONAL PRECAUTIONS AND/OR METHODS OF CONSTRUCTION. PROPER INSTALLATION IS THE RESPONSIBILITY OF THE DEALER/BUILDER/CONTRACTOR.

ITEM	FILE NAME	DESCRIPTION	CUSTOMER DRAWING #	VENDOR PART #	QTY.
1	BOLT, PACK	BOLT, FLANGE, 3/8-16 X 1", PACK (50)	HPS1916	HPS1916	5
2	SBRACE	BRACE, FOLD OVER WITH TURNBUCKLE, STEEL, HPSFOB	HPSFOB	HPSFOB	20
3	PANEL, STRAIGHT	PANEL, 2' LONG, 700 SERIES	HPSE102P	00005483	4
4	PANEL, RADIUS	PANEL, 2' RADIUS, 3-2" LONG, 700 SERIES	HPSE2R	00002541	4
5	PANEL, STRAIGHT	PANEL, 4' LONG, 700 SERIES	HPSE104P	00002723	3
6	PANEL, STRAIGHT	PANEL, 4' LONG, INLET, 700 SERIES	HPSE104I	00006739	3
7	PANEL, STRAIGHT	PANEL, 8' LONG, 1084, 700 SERIES	HPSE10884	00004966	2
8	PANEL, STRAIGHT	PANEL, 8' LONG, 700 SERIES	HPSE108P	00004961	2
9	PANEL, STRAIGHT	PANEL, 8' LONG, LIGHT, 700 SERIES	HPSE108L	00004962	1
10	HS110N	STEP, 8', TWIN SEAT, 4 TREAD	HS110N	HS110N	1

ENGINEERING DRAWING NUMBER: 00016949	WEIGHT: 271412.3 lbs	UNLESS OTHERWISE SPECIFIED DIMENSIONS ARE IN INCHES TOLERANCES DECIMALS: X ± .1 XX ± .01 XXX ± .001 XXXX ± .0005 ANGULAR: X ± 0.5 THIRD ANGLE PROJECTION 	DESIGNED BY: BUMPHREY	CREATION DATE: 4/9/2013	HYDRA POOLS TITLE: LAYOUT, RECTANGLE, 16' X 32', 2' RADIUS, 8' DEEP, HS110N, LIGHT, 2-1084, 3-INLETS, 700 SERIES PART NUMBER: 00016949	
	VOLUME: Inch³		DETAILED BY: BUMPHREY	DETAILED DATE: 12/14/2017		
	COLOR:		LAST REVISED BY: bumphrey	LAST REVISED DATE: 12/14/2017		
	HEAT TREAT:		MATERIAL:			
	FINISH:					
TEXTURE:					SCALE: 1:128	SIZE: A
					SHEET: 1 OF 4	



Area: 508.57ft ^2
Perimeter: 92.57ft
Volume = 19364 US gallons

NOTES:

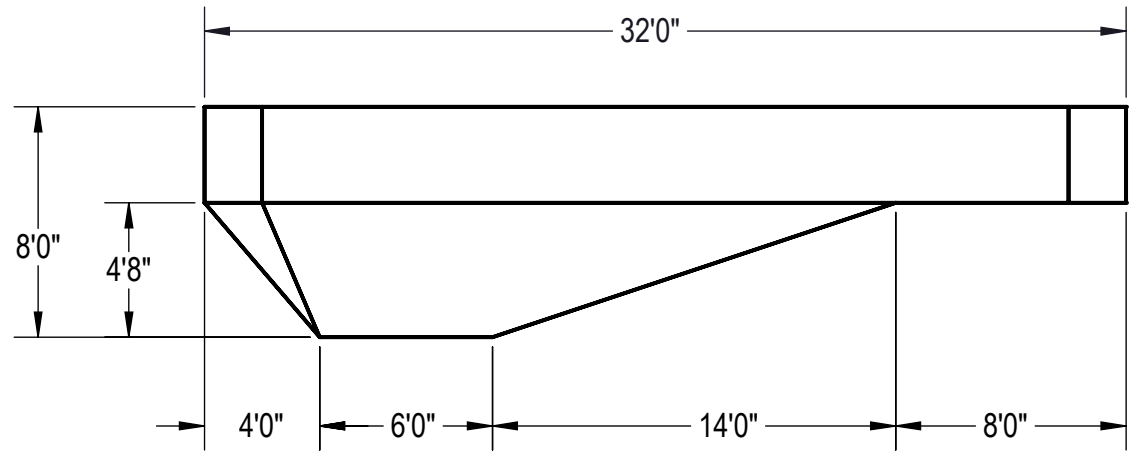
1. THESE ARE FINISHED DIMENSIONS READY FOR THE LINER.
2. DIMENSIONS ARE FROM INSIDE POOL PANELS.
3. ROPE AND FLOAT ASSEMBLY SHOULD BE INSTALLED IN ACCORDANCE WITH CURRENT ANSI/ASPS/ICC REGULATIONS
4. HYDRA LINER TRACK FOR STEPS IS INSTALLED WITH THE BARB FACING THE RISER WALL ON THE STEP.

EXCAVATION NOTES:

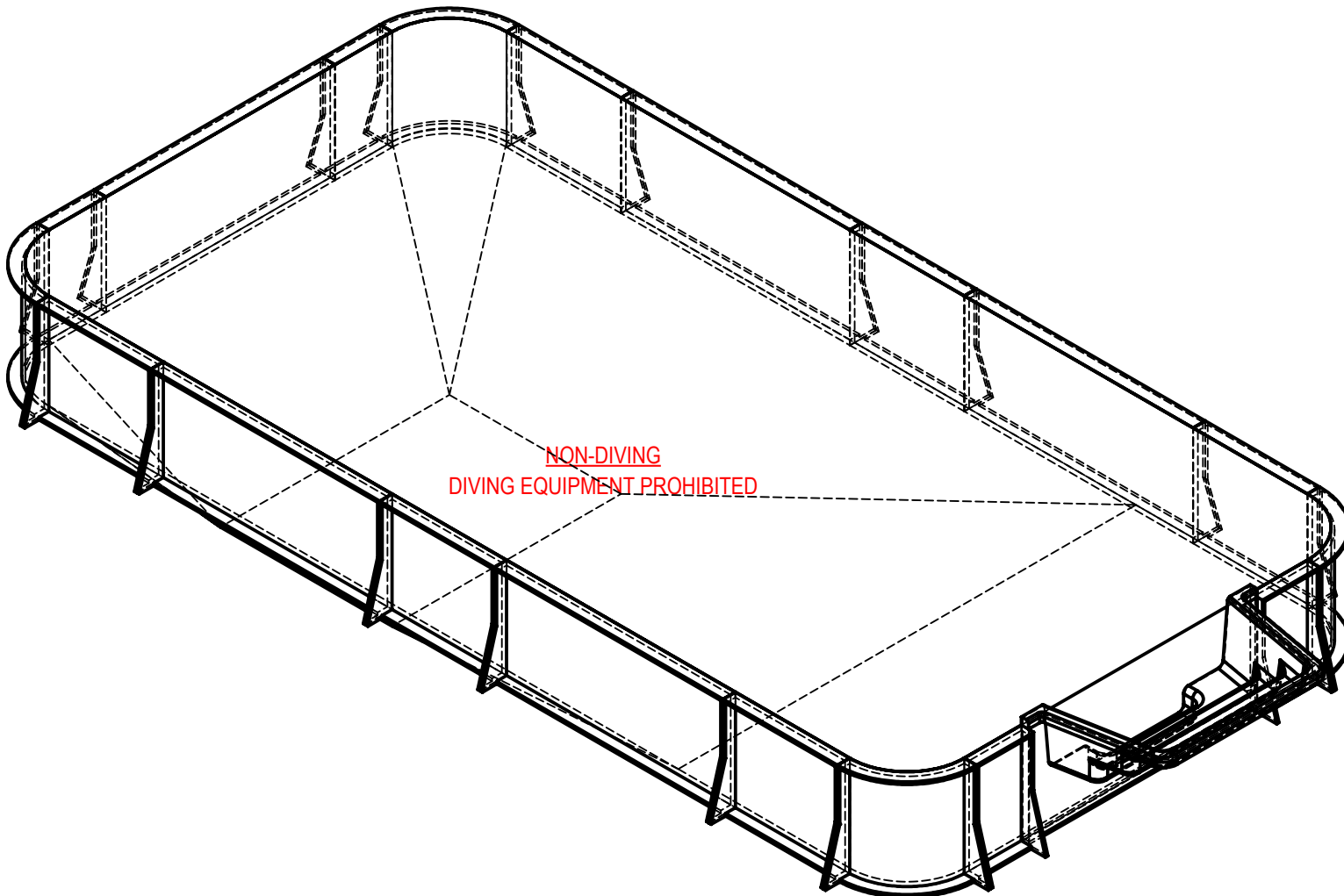
5. ROUGH EXCAVATION SHOULD BE 2" DEEPER IN EACH INSTANCE.
6. SOIL TO HAVE MINIMUM BEARING CAPACITY OF 1500 PSF.
7. LOCATE TOP OF POOL AT LEAST 6" ABOVE THE SURROUNDING LAND ELEVATION.
8. SEE "OVER DIG DETAIL" FOR EXCAVATION AROUND POOL.
9. FILL VOIDS UNDER BASE OF PANELS AND TAMP WELL.
10. BACK FILL WITH NON-EXPANSIVE MATERIAL.
11. FOLLOW ALL CURRENT ANSI/ ASPP / ICC GUIDELINES FOR RESIDENTIAL POOLS

IMPORTANT NOTES:

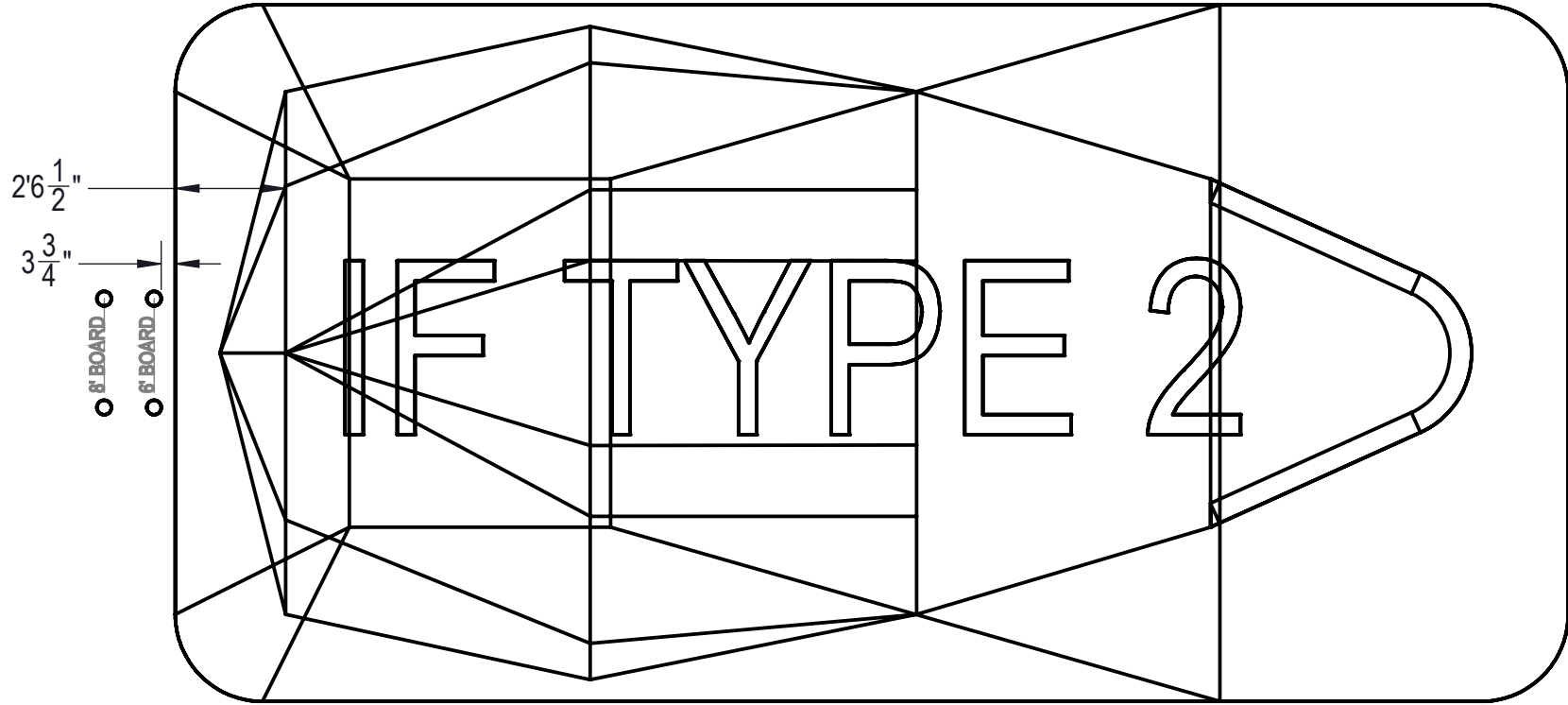
THIS DOCUMENT IS FOR ILLUSTRATIVE PURPOSES ONLY. THE DEALER OR CONTRACTOR WHO SELLS OR INSTALLS YOUR POOL IS AN INDEPENDENT CONTRACTOR AND IS NOT AN AGENT OF THE MANUFACTURER. THE CONSTRUCTION METHODS ILLUSTRATED HERE ARE SUGGESTIONS AND APPLY ONLY TO NORMAL GROUND CONDITIONS. THERE MAY BE ADDITIONAL PRECAUTIONS AND/OR METHODS OF CONSTRUCTION. PROPER INSTALLATION IS THE RESPONSIBILITY OF THE DEALER/BUILDER/CONTRACTOR.




ENGINEERING DRAWING NUMBER: 00016949	WEIGHT:	UNLESS OTHERWISE SPECIFIED DIMENSIONS ARE IN INCHES TOLERANCES DECIMALS: X ± .1 XX ± .01 XXX ± .001 XXXX ± .0005 ANGULAR: X ± 0.5 THIRD ANGLE PROJECTION	DESIGNED BY:	CREATION DATE:	HYDRA POOLS		
	lbs		BUMPHREY	4/9/2013			
	VOLUME:			DETAILED BY:	DETAILED DATE:	TITLE: LAYOUT, RECTANGLE, 16' X 32', 2' RADIUS, 8' DEEP, HS110N, LIGHT, 2-1084, 3-INLETS, 700 SERIES	
	Inch³			BUMPHREY	12/14/2017		
	COLOR:			LAST REVISED BY:	LAST REVISED DATE:		
NA		bumphrey	12/14/2017	00016949	1:128	A	
HEAT TREAT:		MATERIAL:			SHEET:		
NA					2 OF 4		
FINISH:							
NA							
TEXTURE:							
NA							



ENGINEERING DRAWING NUMBER: 00016949	WEIGHT: 271412.3 lbs	UNLESS OTHERWISE SPECIFIED DIMENSIONS ARE IN INCHES TOLERANCES DECIMALS: X ± .1 XX ± .01 XXX ± .001 XXXX ± .0005 ANGULAR: X ± 0.5 THIRD ANGLE PROJECTION 	DESIGNED BY: BUMPHREY	CREATION DATE: 4/9/2013	<h2 style="margin: 0;">HYDRA POOLS</h2> <p style="font-size: small; margin: 5px 0;">TITLE: LAYOUT, RECTANGLE, 16' X 32', 2' RADIUS, 8' DEEP, HS110N, LIGHT, 2-1084, 3-INLETS, 700 SERIES</p>
	VOLUME: Inch ³		DETAILED BY: BUMPHREY	DETAILED DATE: 12/14/2017	
	COLOR:		LAST REVISED BY: bumphrey	LAST REVISED DATE: 12/14/2017	
	HEAT TREAT:		MATERIAL:		
	FINISH:		PART NUMBER: <h1 style="margin: 0;">00016949</h1>		
	TEXTURE:				
C:\PDM\working\00016949		SHEET: 3 OF 4			



ENGINEERING DRAWING NUMBER: 00016949	WEIGHT: 271412.3 lbs	UNLESS OTHERWISE SPECIFIED DIMENSIONS ARE IN INCHES TOLERANCES DECIMALS: X ± .1 XX ± .01 XXX ± .001 XXXX ± .0005 ANGULAR: X ± 0.5 THIRD ANGLE PROJECTION 	DESIGNED BY: BUMPHREY	CREATION DATE: 4/9/2013	HYDRA POOLS LAYOUT, RECTANGLE, 16' X 32', 2' RADIUS, 8" DEEP, HS110N, LIGHT, 2-1084, 3-INLETS, 700 SERIES		
	VOLUME: Inch ³		DETAILED BY: BUMPHREY	DETAILED DATE: 12/14/2017			
	COLOR:		LAST REVISED BY: bumphrey	LAST REVISED DATE: 12/14/2017			
	HEAT TREAT:		MATERIAL:		PART NUMBER:	SCALE: 1:128	00016949 SIZE: A
	FINISH:				SHEET: 4 OF 4		
	TEXTURE:						