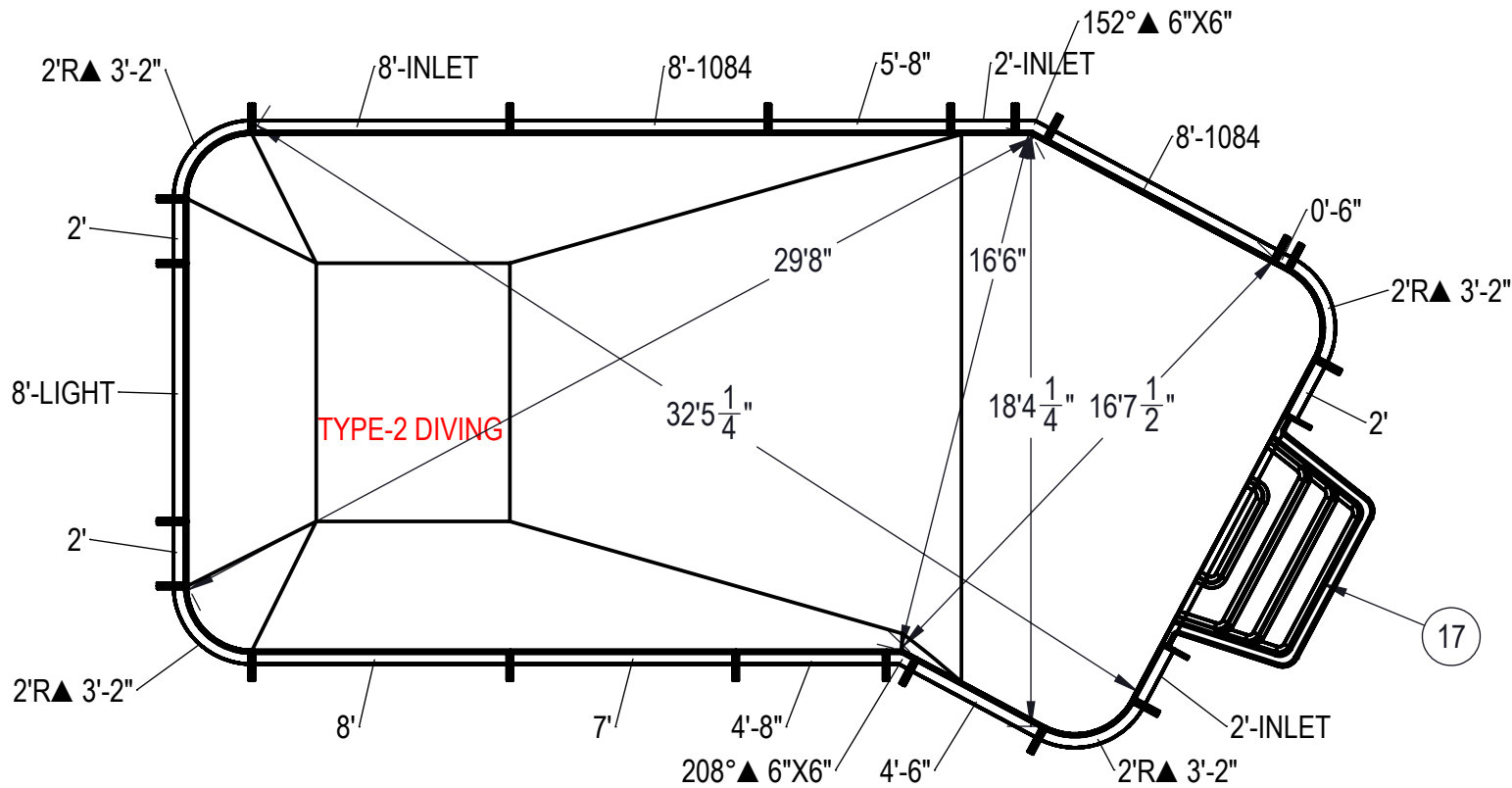


REVISION HISTORY				
REV.	DESCRIPTION	DATE	ECO	BY



**NOTES:**

- THESE ARE FINISHED DIMENSIONS READY FOR THE LINER.
- DIMENSIONS ARE FROM INSIDE POOL PANELS.
- ROPE AND FLOAT ASSEMBLY SHOULD BE INSTALLED IN ACCORDANCE WITH CURRENT ANSI/APSP/ICC REGULATIONS
- HYDRA LINER TRACK FOR STEPS IS INSTALLED WITH THE BARB FACING THE RISER WALL ON THE STEP.

**EXCAVATION NOTES:**

- ROUGH EXCAVATION SHOULD BE 2" DEEPER IN EACH INSTANCE.
- SOIL TO HAVE MINIMUM BEARING CAPACITY OF 1500 PSF.
- LOCATE TOP OF POOL AT LEAST 6" ABOVE THE SURROUNDING LAND ELEVATION.
- SEE "OVER DIG DETAIL" FOR EXCAVATION AROUND POOL.
- FILL VOIDS UNDER BASE OF PANELS AND TAMP WELL.
- BACK FILL WITH NON-EXPANSIVE MATERIAL.
- FOLLOW ALL CURRENT ANSI / APSP / ICC GUIDELINES FOR RESIDENTIAL POOLS

**IMPORTANT NOTES:**

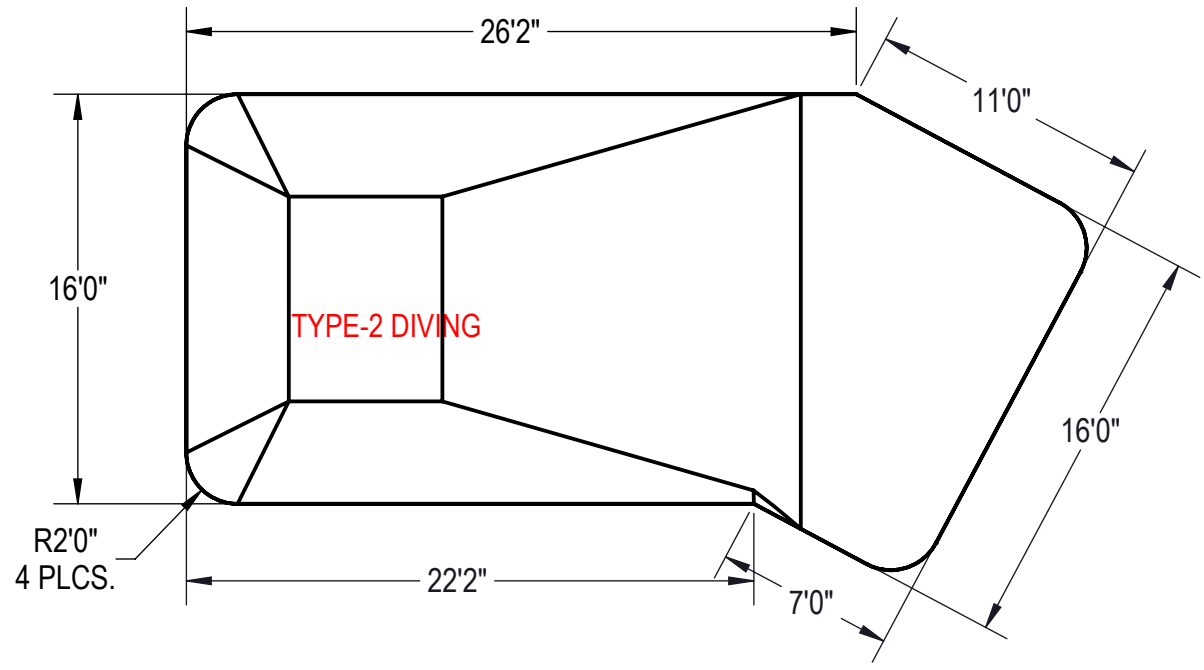
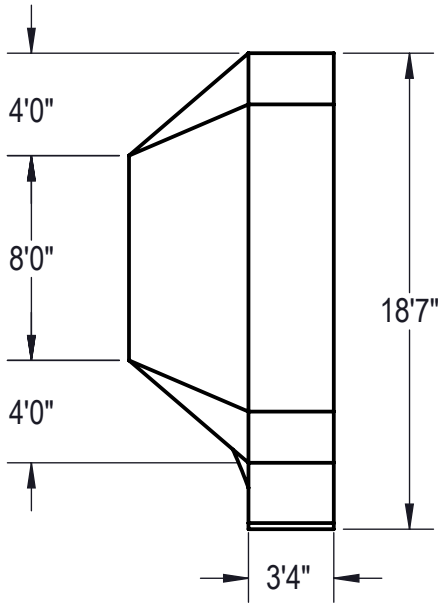
THIS DOCUMENT IS FOR ILLUSTRATIVE PURPOSES ONLY. THE DEALER OR CONTRACTOR WHO SELLS OR INSTALLS YOUR POOL IS AN INDEPENDENT CONTRACTOR AND IS NOT AN AGENT OF THE MANUFACTURER. THE CONSTRUCTION METHODS ILLUSTRATED HERE ARE SUGGESTIONS AND APPLY ONLY TO NORMAL GROUND CONDITIONS. THERE MAY BE ADDITIONAL PRECAUTIONS AND/OR METHODS OF CONSTRUCTION. PROPER INSTALLATION IS THE RESPONSIBILITY OF THE DEALER/BUILDER/CONTRACTOR.

ITEM	FILE NAME	DESCRIPTION	CUSTOMER DRAWING #	VENDOR PART #	QTY.
1	BOLT, PACK	BOLT, FLANGE, 3/8-16 X 1", PACK (50)	HPS1916	HPS1916	5
2	SBRACE	BRACE, FOLD OVER WITH TURNBUCKLE, STEEL, HPSFOB	HPSFOB	HPSFOB	22
3	PANEL, ANGLE	PANEL, ANGLE, 6" X 6" X 152", 600 SERIES	HPSDLL	00001675	1
4	PANEL, ANGLE	PANEL, ANGLE, 6" X 6" X 208", 600 SERIES	HPSDLLR	00001673	1
5	PANEL, STRAIGHT	PANEL, 0'-6" LONG, 600 SERIES	HPSD6P	00001405	1
6	PANEL, STRAIGHT	PANEL, 2' LONG, 600 SERIES	HPSD102P	00000639	3
7	PANEL, STRAIGHT	PANEL, 2' LONG, INLET, 600 SERIES	HPSCS3P	00007462	2
8	PANEL, RADIUS	PANEL, 2' RADIUS, 3-2" LONG, 600 SERIES	HPSD2R	00000287	4
9	PANEL, STRAIGHT	PANEL, 4'-6" LONG, 600 SERIES	HPSD1046P	00000644	1
10	PANEL, STRAIGHT	PANEL, 4'-8" LONG, 600 SERIES	HPSCS5	00009744	1
11	PANEL, STRAIGHT	PANEL, 5'-8" LONG, 600 SERIES	HPSCS6	00002188	1
12	PANEL, STRAIGHT	PANEL, 7' LONG, 600 SERIES	HPSD107P	0010126	1
13	PANEL, STRAIGHT	PANEL, 8' LONG, 1084, 600 SERIES	HPSD10884	00002006	2
14	PANEL, STRAIGHT	PANEL, 8' LONG, 600 SERIES	HPSD108P	00000687	1
15	PANEL, STRAIGHT	PANEL, 8' LONG, INLET, 600 SERIES	HPSD108I	00000699	1
16	PANEL, STRAIGHT	PANEL, 8' LONG, LIGHT, 600 SERIES	HPSD108L	00000701	1
17	HS110N	STEP, 8", TWIN SEAT, 4 TREAD	HS110N	HS110N	1

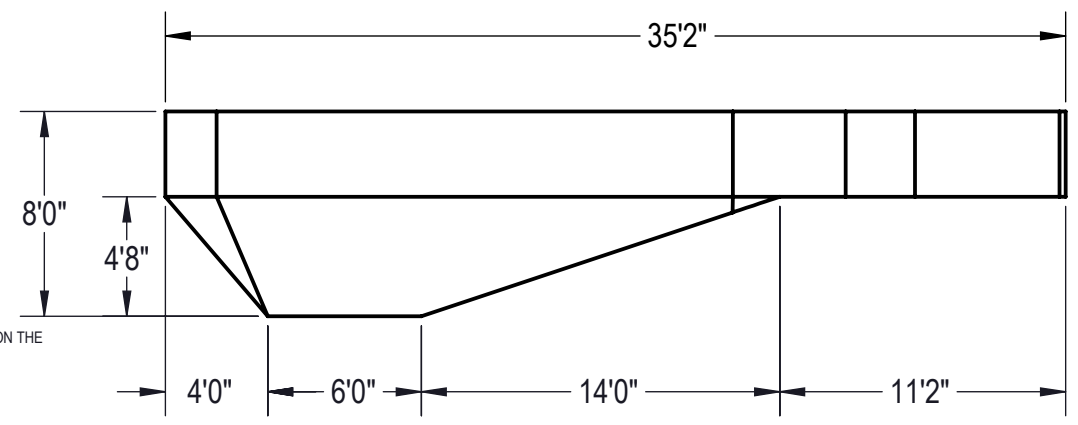
ENGINEERING DRAWING NUMBER: <b>00017101</b>	WEIGHT: lbs	<b>UNLESS OTHERWISE SPECIFIED</b> DIMENSIONS ARE IN INCHES TOLERANCES DECIMALS: X ± .1 XX ± .01 XXX ± .001 XXXX ± .0005  ANGULAR: X ± 0.5 THIRD ANGLE PROJECTION
	VOLUME: Inch <sup>3</sup>	
	COLOR:	
	HEAT TREAT:	
	FINISH:	
	TEXTURE:	

DESIGNED BY: <b>BUMPHREY</b>	CREATION DATE: 8/12/2013
DETAILED BY: <b>BUMPHREY</b>	DETAILED DATE: 1/4/2018
LAST REVISED BY: <b>bumphrey</b>	LAST REVISED DATE: 1/4/2018
MATERIAL:	

<b>HYDRA POOLS</b>	
TITLE: LAYOUT, 16' X 35'2", LAZY L, LEFT, 2' RADIUS, 8' DEEP, HS110N, LIGHT, 2-1084, 3-INLET, 600 SERIES	
PART NUMBER:	SCALE: 1:128 SHEET: 1 OF 4
<b>00017101</b>	<b>A</b>



**Area: 527.23ft ^2**  
**Perimeter: 94.90ft**  
**Volume = 19830 US gallons**



**NOTES:**

1. THESE ARE FINISHED DIMENSIONS READY FOR THE LINER.
2. DIMENSIONS ARE FROM INSIDE POOL PANELS.
3. ROPE AND FLOAT ASSEMBLY SHOULD BE INSTALLED IN ACCORDANCE WITH CURRENT ANSI/ASPS/ICC REGULATIONS
4. HYDRA LINER TRACK FOR STEPS IS INSTALLED WITH THE BARB FACING THE RISER WALL ON THE STEP.

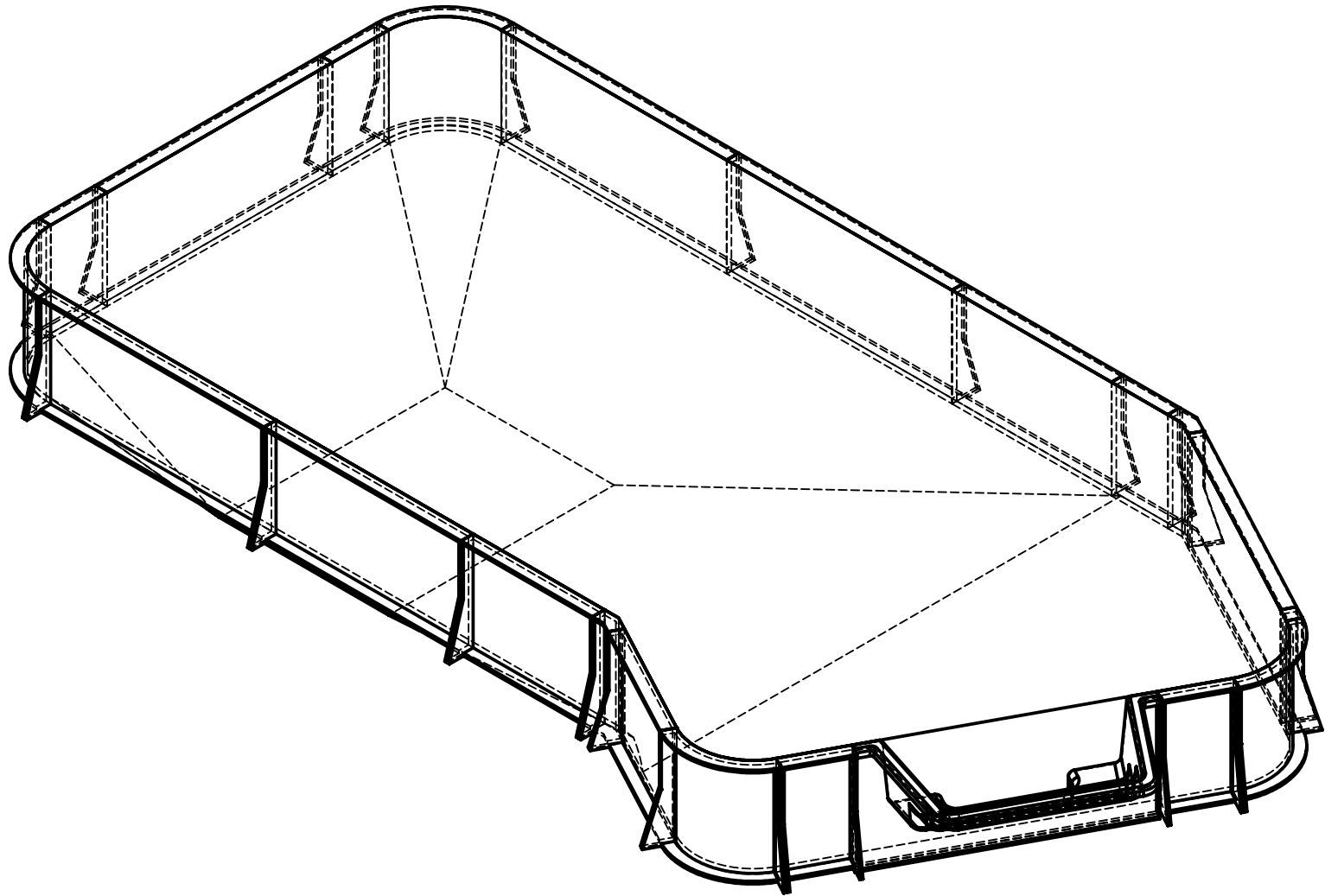
**EXCAVATION NOTES:**


5. ROUGH EXCAVATION SHOULD BE 2" DEEPER IN EACH INSTANCE.
6. SOIL TO HAVE MINIMUM BEARING CAPACITY OF 1500 PSF.
7. LOCATE TOP OF POOL AT LEAST 6" ABOVE THE SURROUNDING LAND ELEVATION.
8. SEE "OVER DIG DETAIL" FOR EXCAVATION AROUND POOL.
9. FILL VOIDS UNDER BASE OF PANELS AND TAMP WELL.
10. BACK FILL WITH NON-EXPANSIVE MATERIAL.
11. FOLLOW ALL CURRENT ANSI / ASPSP / ICC GUIDELINES FOR RESIDENTIAL POOLS

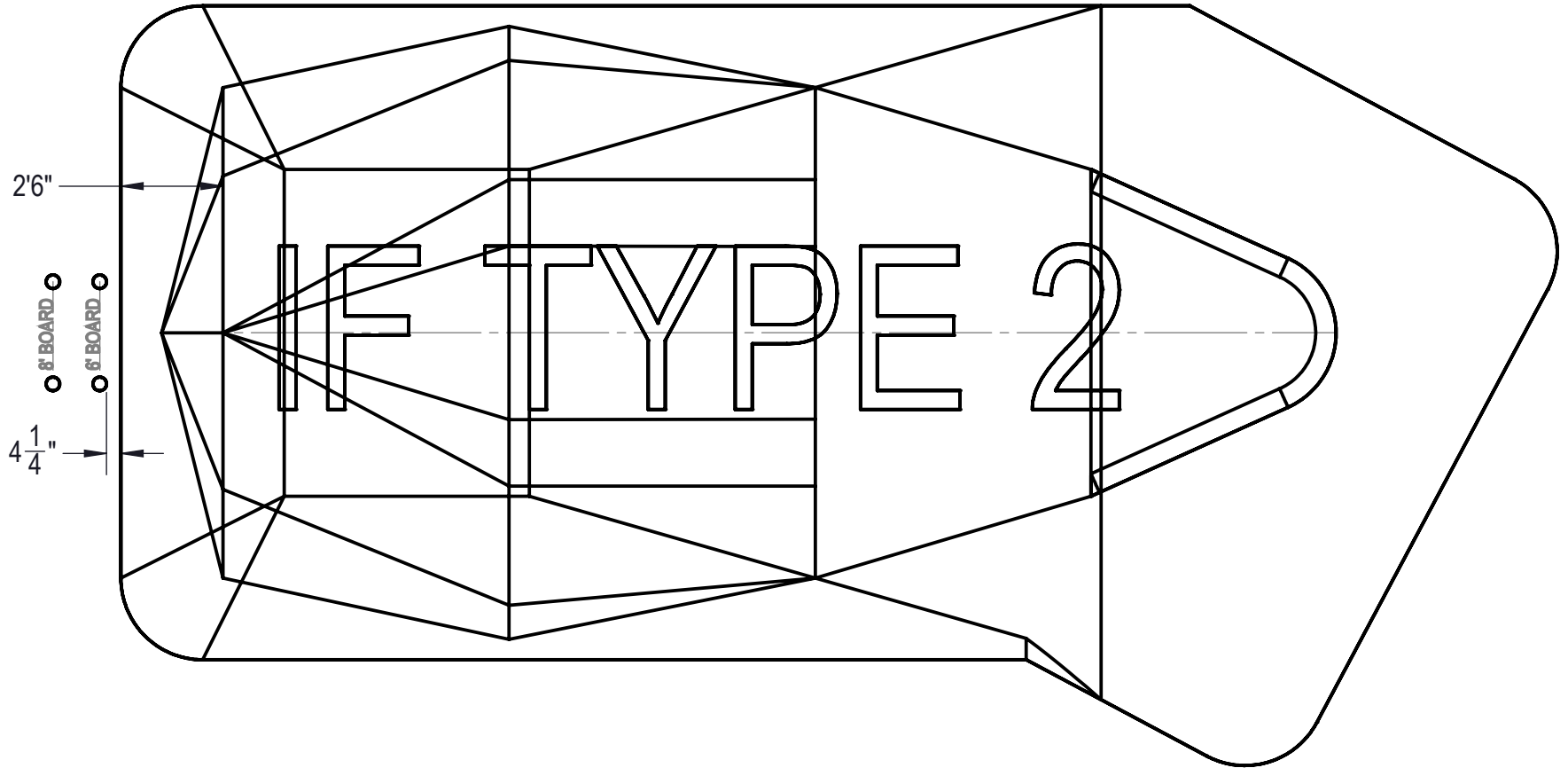
**IMPORTANT NOTES:**

THIS DOCUMENT IS FOR ILLUSTRATIVE PURPOSES ONLY. THE DEALER OR CONTRACTOR WHO SELLS OR INSTALLS YOUR POOL IS AN INDEPENDENT CONTRACTOR AND IS NOT AN AGENT OF THE MANUFACTURER. THE CONSTRUCTION METHODS ILLUSTRATED HERE ARE SUGGESTIONS AND APPLY ONLY TO NORMAL GROUND CONDITIONS. THERE MAY BE ADDITIONAL PRECAUTIONS AND/OR METHODS OF CONSTRUCTION. PROPER INSTALLATION IS THE RESPONSIBILITY OF THE DEALER/BUILDER/CONTRACTOR.

ENGINEERING DRAWING NUMBER: <b>00017101</b>	WEIGHT:	UNLESS OTHERWISE SPECIFIED DIMENSIONS ARE IN INCHES TOLERANCES DECIMALS: X ± .1 XX ± .01 XXX ± .001 XXXX ± .0005  ANGULAR: X ± 0.5 THIRD ANGLE PROJECTION	DESIGNED BY:	CREATION DATE:	<b>HYDRA POOLS</b>
	VOLUME:		BUMPHREY	8/12/2013	
	Inch³		BUMPHREY	1/4/2018	
	COLOR:		LAST REVISED BY:	LAST REVISED DATE:	TITLE:
	NA		bumphrey	1/4/2018	LAYOUT, 16' X 35'2", LAZY L, LEFT, 2' RADIUS, 8' DEEP, HS110N, LIGHT, 2-1084, 3-INLET, 600 SERIES
HEAT TREAT:	MATERIAL:		PART NUMBER:	SCALE:	SIZE:
NA			<b>00017101</b>	1:128	<b>A</b>
FINISH:				SHEET:	
NA				2 OF 4	
TEXTURE:					
NA					



ENGINEERING DRAWING NUMBER: <b>00017101</b>	WEIGHT:	<b>UNLESS OTHERWISE SPECIFIED</b> DIMENSIONS ARE IN INCHES TOLERANCES DECIMALS: X ± .1 XX ± .01 XXX ± .001 XXXX ± .0005  ANGULAR: X ± 0.5 THIRD ANGLE PROJECTION 	DESIGNED BY:	CREATION DATE:	<b>HYDRA POOLS</b>	
	lbs		BUMPHREY	8/12/2013		
	VOLUME:		DETAILED BY:	DETAILED DATE:		
	Inch <sup>3</sup>		BUMPHREY	1/4/2018	TITLE:	LAYOUT, 16' X 35'2", LAZY L, LEFT, 2' RADIUS, 8' DEEP, HS110N, LIGHT, 2-1084, 3-INLET, 600 SERIES
	COLOR:		LAST REVISED BY:	LAST REVISED DATE:	PART NUMBER:	00017101
	NA		bumphrey	1/4/2018	SCALE:	1:128
HEAT TREAT:	MATERIAL:		SHEET:	3 OF 4		
NA			SIZE:	A		
FINISH:						
NA						
TEXTURE:						
NA						



ENGINEERING DRAWING NUMBER: <b>00017101</b>	WEIGHT:	<b>UNLESS OTHERWISE SPECIFIED</b> DIMENSIONS ARE IN INCHES TOLERANCES DECIMALS: X ± .1 XX ± .01 XXX ± .001 XXXX ± .0005  ANGULAR: X ± 0.5 THIRD ANGLE PROJECTION 	DESIGNED BY:	CREATION DATE:	<b>HYDRA POOLS</b>	
	lbs		BUMPHREY	8/12/2013		
	VOLUME:		DETAILED BY:	DETAILED DATE:		
	Inch <sup>3</sup>		BUMPHREY	1/4/2018	TITLE:	LAYOUT, 16' X 35'2", LAZY L, LEFT, 2' RADIUS, 8' DEEP, HS110N, LIGHT, 2-1084, 3-INLET, 600 SERIES
	COLOR:		LAST REVISED BY:	LAST REVISED DATE:	PART NUMBER:	<b>00017101</b>
	NA		bumphrey	1/4/2018	SCALE:	
HEAT TREAT:	MATERIAL:		SHEET:	4 OF 4		
NA			SIZE:	<b>A</b>		
FINISH:						
NA						
TEXTURE:						
NA						