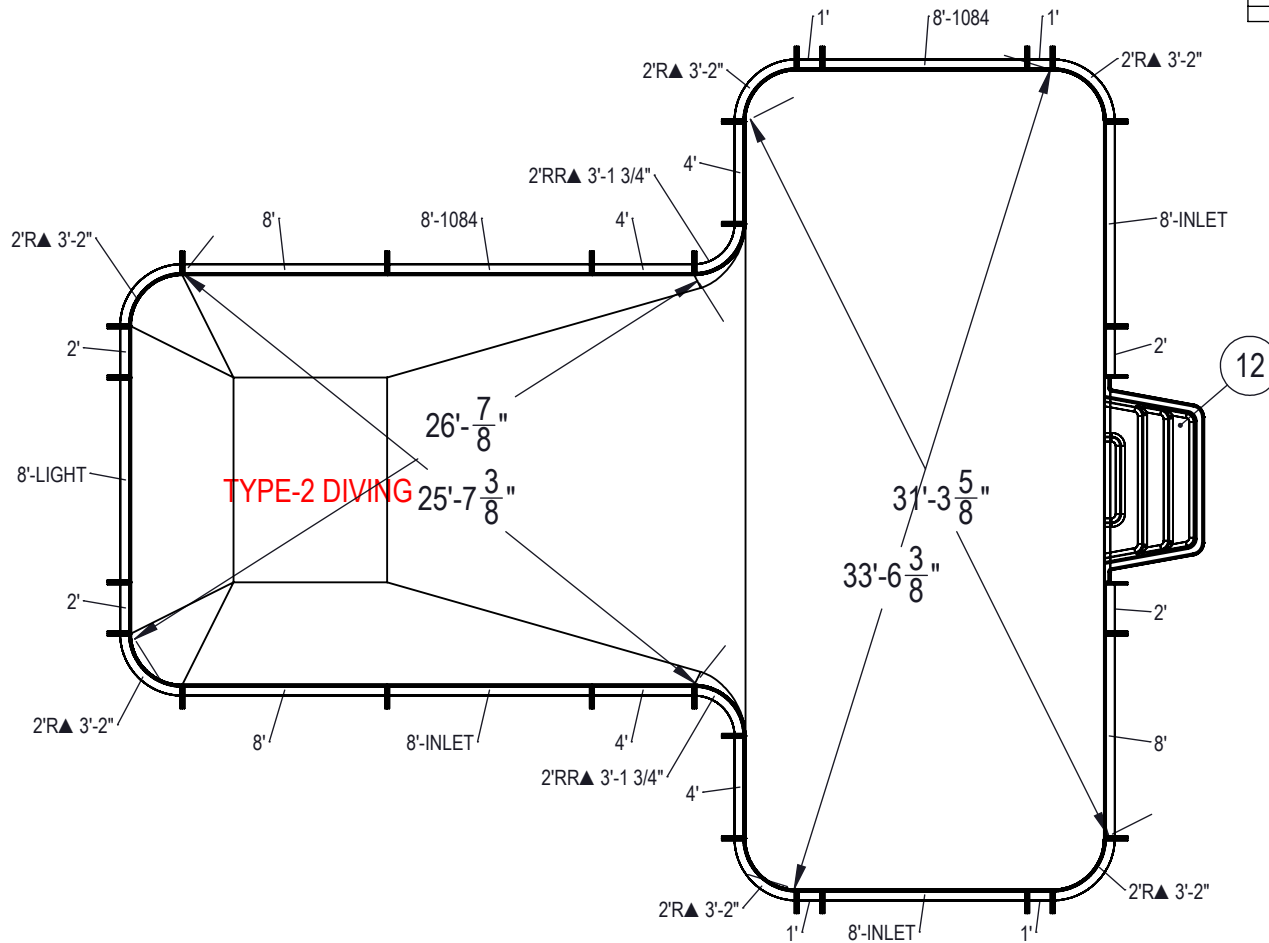


REVISION HISTORY				
REV.	DESCRIPTION	DATE	ECO	BY
A	RELEASED FOR QUOTE	1/8/2018		BUMPHREY
B	FIXED TITLE	1/8/2018		BUMPHREY



**NOTES:**

1. THESE ARE FINISHED DIMENSIONS READY FOR THE LINER.
2. DIMENSIONS ARE FROM INSIDE POOL PANELS.
3. ROPE AND FLOAT ASSEMBLY SHOULD BE INSTALLED IN ACCORDANCE WITH CURRENT ANSI/ASPS/ICC REGULATIONS
4. HYDRA LINER TRACK FOR STEPS IS INSTALLED WITH THE BARB FACING THE RISER WALL ON THE STEP.

**EXCAVATION NOTES:**

5. ROUGH EXCAVATION SHOULD BE 2" DEEPER IN EACH INSTANCE.
6. SOIL TO HAVE MINIMUM BEARING CAPACITY OF 1500 PSF.
7. LOCATE TOP OF POOL AT LEAST 6" ABOVE THE SURROUNDING LAND ELEVATION.
8. SEE "OVER DIG DETAIL" FOR EXCAVATION AROUND POOL.
9. FILL VOIDS UNDER BASE OF PANELS AND TAMP WELL.
10. BACK FILL WITH NON-EXPANSIVE MATERIAL.
11. FOLLOW ALL CURRENT ANSI / APSP / ICC GUIDELINES FOR RESIDENTIAL POOLS

**IMPORTANT NOTES:**

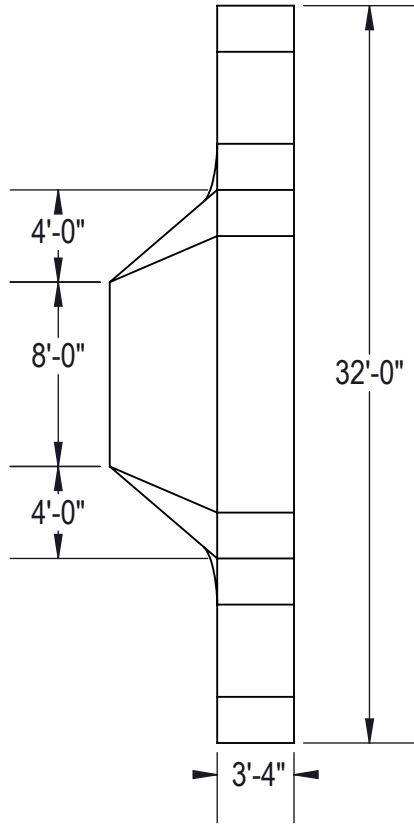
THIS DOCUMENT IS FOR ILLUSTRATIVE PURPOSES ONLY. THE DEALER OR CONTRACTOR WHO SELLS OR INSTALLS YOUR POOL IS AN INDEPENDENT CONTRACTOR AND IS NOT AN AGENT OF THE MANUFACTURER. THE CONSTRUCTION METHODS ILLUSTRATED HERE ARE SUGGESTIONS AND APPLY ONLY TO NORMAL GROUND CONDITIONS. THERE MAY BE ADDITIONAL PRECAUTIONS AND/OR METHODS OF CONSTRUCTION. PROPER INSTALLATION IS THE RESPONSIBILITY OF THE DEALER/BUILDER/CONTRACTOR.

ITEM	FILE NAME	DESCRIPTION	CUSTOMER DRAWING #	VENDOR PART #	QTY.
1	BOLT, PACK	BOLT, FLANGE, 3/8-16 X 1", PACK (50)	HPS1916	HPS1916	7
2	SBRACE	BRACE, FOLD OVER WITH TURNBUCKLE, STEEL, HPSFOB	HPSFOB	HPSFOB	30
3	PANEL, STRAIGHT	PANEL, 1" LONG, 600 SERIES	HPSD101P	00000621	4
4	PANEL, STRAIGHT	PANEL, 2" LONG, 600 SERIES	HPSD102P	00000639	4
5	PANEL, RADIUS	PANEL, 2" RADIUS, 3-2" LONG, 600 SERIES	HPSD2R	00000287	6
6	PANEL, RR	PANEL, 2" REVERSE RADIUS, 3-1 3/4" LONG, 600 SERIES	HPSD2RR	00000288	2
7	PANEL, STRAIGHT	PANEL, 4" LONG, 600 SERIES	HPSD104P	00000274	4
8	PANEL, STRAIGHT	PANEL, 8" LONG, 1084, 600 SERIES	HPSD10884	00002006	2
9	PANEL, STRAIGHT	PANEL, 8" LONG, 600 SERIES	HPSD108P	00000687	3
10	PANEL, STRAIGHT	PANEL, 8" LONG, INLET, 600 SERIES	HPSD108I	00000699	3
11	PANEL, STRAIGHT	PANEL, 8" LONG, LIGHT, 600 SERIES	HPSD108L	00000701	1
12	HS110N	STEP, 8", TWIN SEAT, 4 TREAD	HS110N	HS110N	1

ENGINEERING DRAWING NUMBER <b>00017146</b>	WEIGHT: 157438254 lbs	<b>UNLESS OTHERWISE SPECIFIED</b> DIMENSIONS ARE IN INCHES TOLERANCES DECIMALS: X ± .1 XX ± .01 XXX ± .001 XXXX ± .0005  ANGULAR: X ± 0.5 THIRD ANGLE PROJECTION
	VOLUME: Inch <sup>3</sup>	
	COLOR:	
	HEAT TREAT:	
	FINISH:	
	TEXTURE:	

DESIGNED BY: <b>BUMPHREY</b>	CREATION DATE: 5/20/2016
DETAILED BY: <b>BUMPHREY</b>	DETAILED DATE: 1/8/2018
LAST REVISED BY: <b>bumphrey</b>	LAST REVISED DATE: 1/8/2018
MATERIAL:	

<b>HYDRA POOLS</b>	
TITLE: LAYOUT, 16' X 38' X 32', TEE, 2" RADIUS, 8" DEEP, HS110N, LIGHT, 2-1084, 3-INLET, 600 SERIES	
PART NUMBER: <b>00017146</b>	SCALE: 1:96 SHEET: 1 OF 4 SIZE: <b>A</b>



**Area: 828.57ft ^2**  
**Perimeter: 133.13ft**  
**Volume = 27345 US gallons**

**NOTES:**

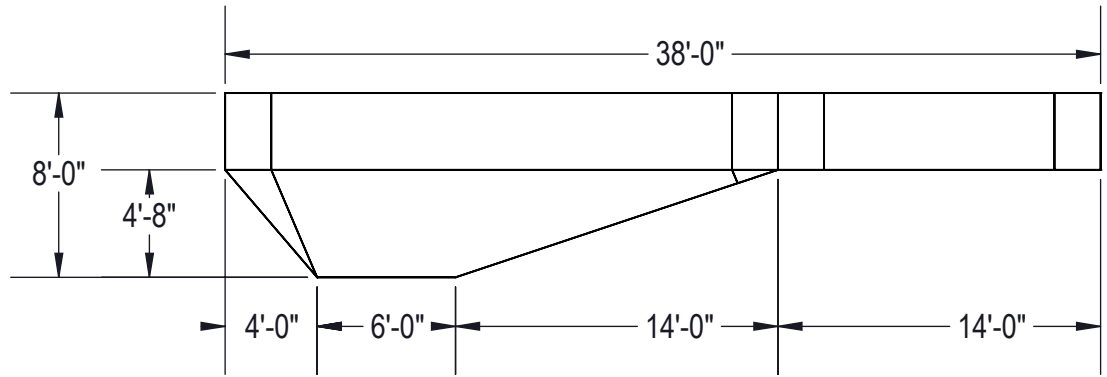
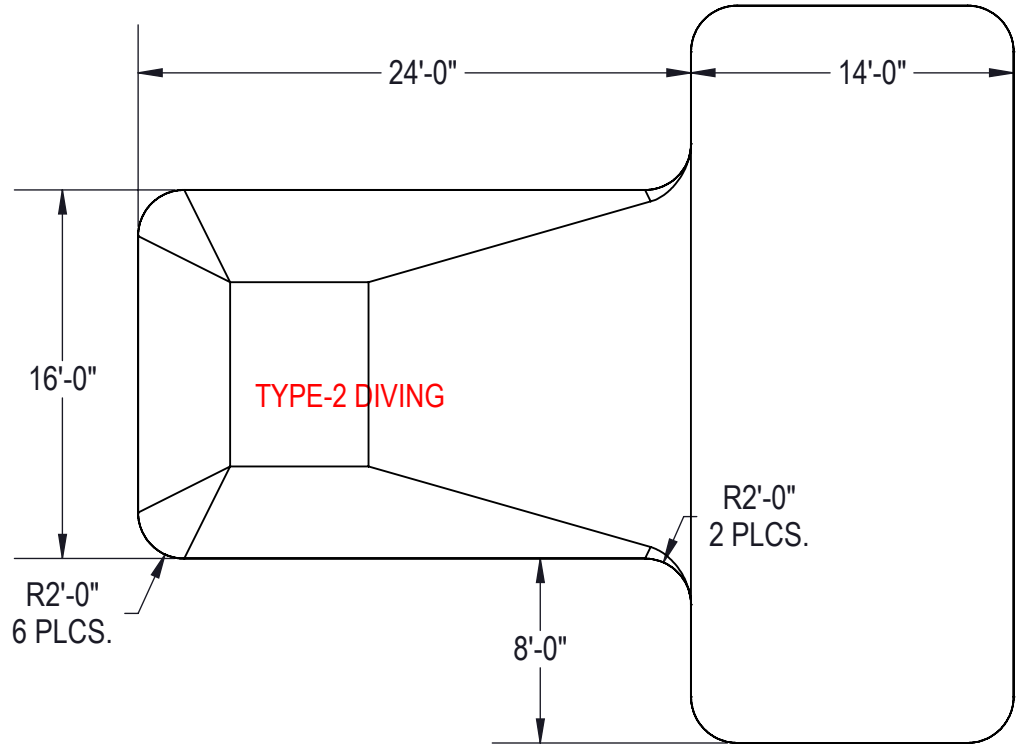
1. THESE ARE FINISHED DIMENSIONS READY FOR THE LINER.
2. DIMENSIONS ARE FROM INSIDE POOL PANELS.
3. ROPE AND FLOAT ASSEMBLY SHOULD BE INSTALLED IN ACCORDANCE WITH CURRENT ANSI/ASPS/ICC REGULATIONS
4. HYDRA LINER TRACK FOR STEPS IS INSTALLED WITH THE BARB FACING THE RISER WALL ON THE STEP.

**EXCAVATION NOTES:**

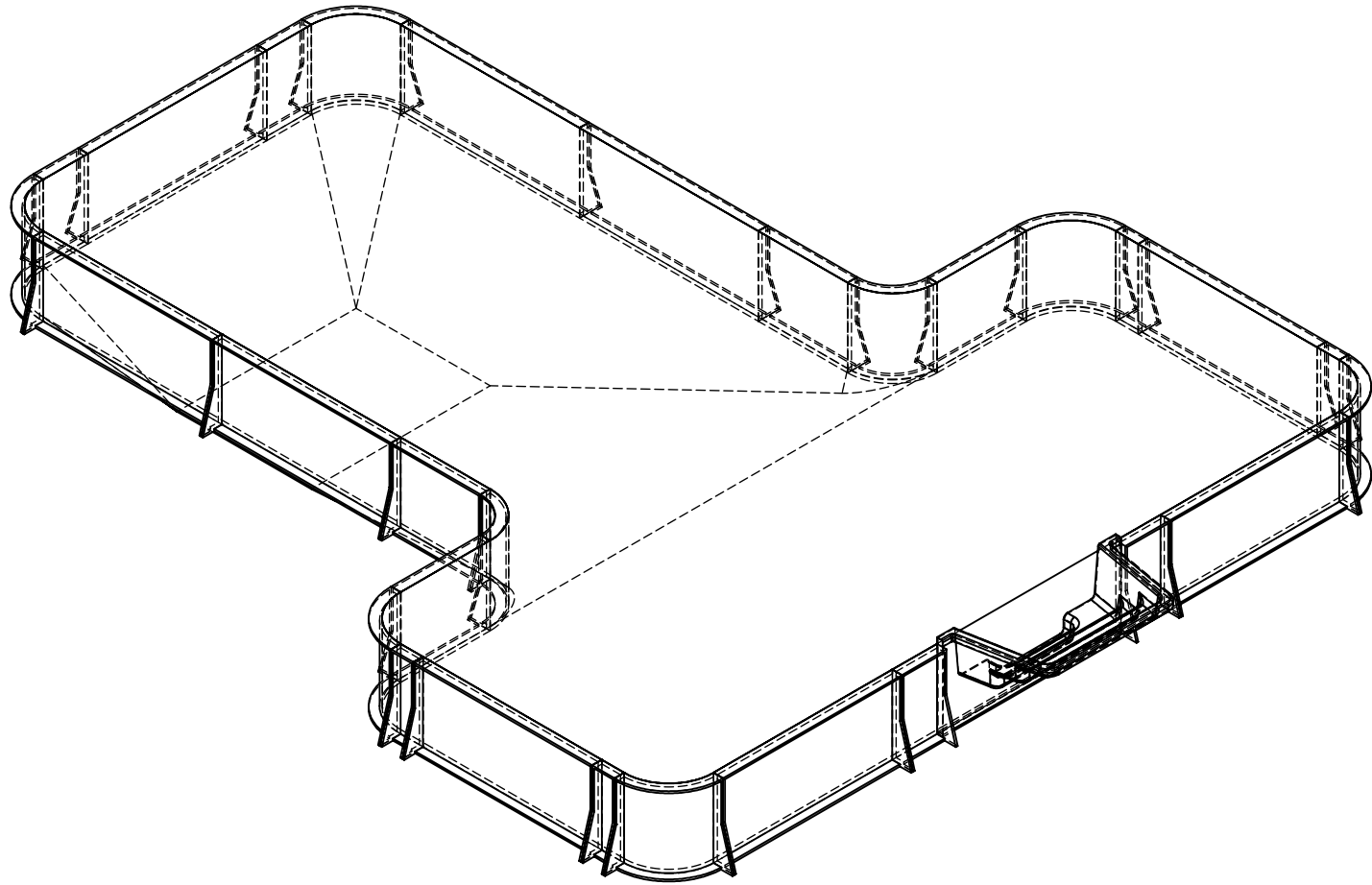
5. ROUGH EXCAVATION SHOULD BE 2" DEEPER IN EACH INSTANCE.
6. SOIL TO HAVE MINIMUM BEARING CAPACITY OF 1500 PSF.
7. LOCATE TOP OF POOL AT LEAST 6" ABOVE THE SURROUNDING LAND ELEVATION.
8. SEE "OVER DIG DETAIL" FOR EXCAVATION AROUND POOL.
9. FILL VOIDS UNDER BASE OF PANELS AND TAMP WELL.
10. BACK FILL WITH NON-EXPANSIVE MATERIAL.
11. FOLLOW ALL CURRENT ANSI / APSP / ICC GUIDELINES FOR RESIDENTIAL POOLS


**IMPORTANT NOTES:**

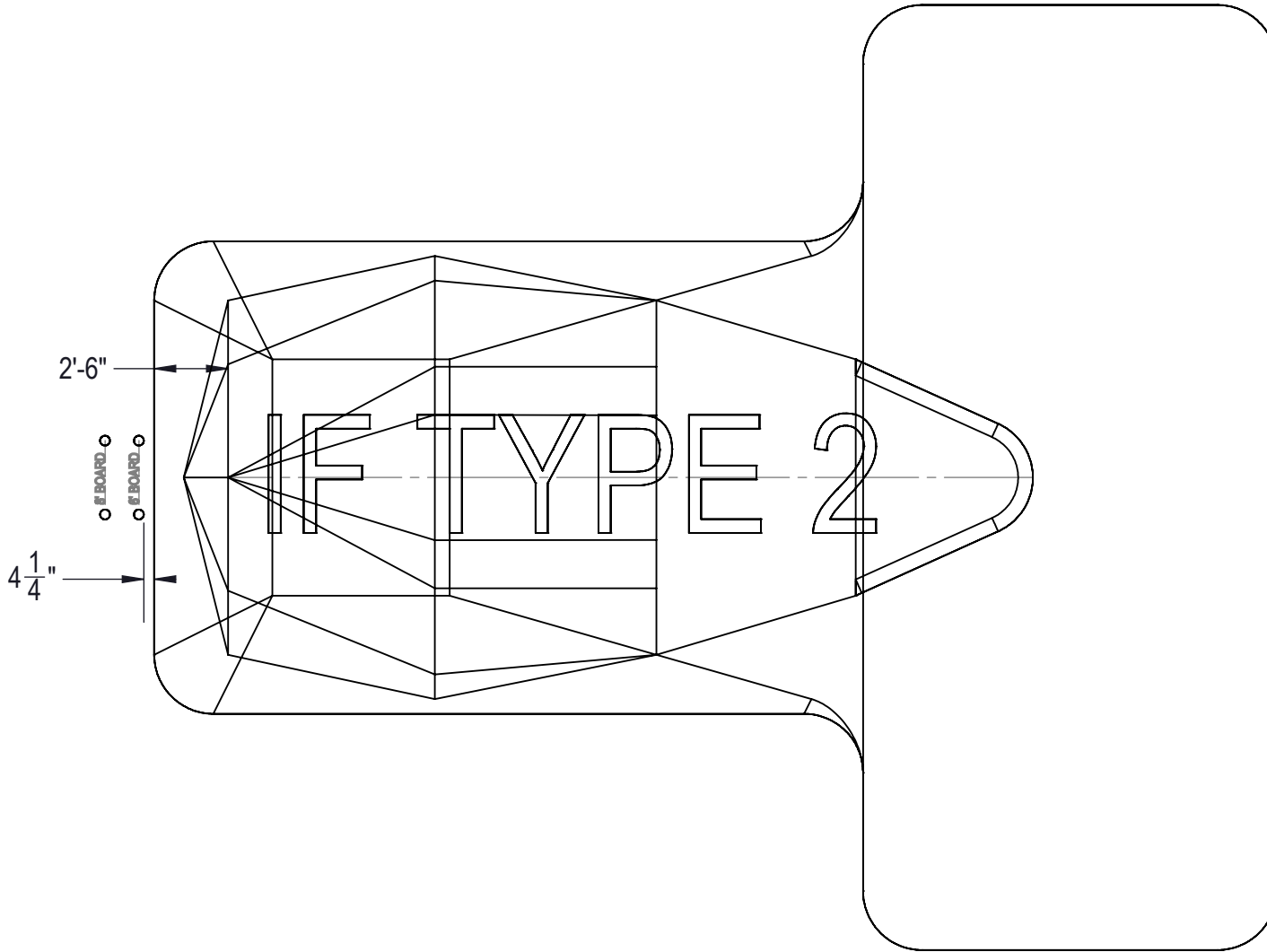
THIS DOCUMENT IS FOR ILLUSTRATIVE PURPOSES ONLY. THE DEALER OR CONTRACTOR WHO SELLS OR INSTALLS YOUR POOL IS AN INDEPENDENT CONTRACTOR AND IS NOT AN AGENT OF THE MANUFACTURER. THE CONSTRUCTION METHODS ILLUSTRATED HERE ARE SUGGESTIONS AND APPLY ONLY TO NORMAL GROUND CONDITIONS. THERE MAY BE ADDITIONAL PRECAUTIONS AND/OR METHODS OF CONSTRUCTION. PROPER INSTALLATION IS THE RESPONSIBILITY OF THE DEALER/BUILDER/CONTRACTOR.



ENGINEERING DRAWING NUMBER: <b>00017146</b>	WEIGHT: 103510717 lbs	<b>UNLESS OTHERWISE SPECIFIED</b> DIMENSIONS ARE IN INCHES TOLERANCES DECIMALS: X ± .1 XX ± .01 XXX ± .001 XXXX ± .0005  ANGULAR: X ± 0.5 THIRD ANGLE PROJECTION	DESIGNED BY: <b>BUMPHREY</b>	CREATION DATE: <b>5/20/2016</b>	<b>HYDRA POOLS</b>	
	VOLUME: 103510717192 Inch <sup>3</sup>		DETAILED BY: <b>BUMPHREY</b>	DETAILED DATE: <b>1/8/2018</b>		
	COLOR: NA		LAST REVISED BY: <b>bumphrey</b>	LAST REVISED DATE: <b>1/8/2018</b>	TITLE: LAYOUT, 16' X 38' X 32', TEE, 2' RADIUS, 8' DEEP, HS110N, LIGHT, 2-1084, 3-INLET, 600 SERIES	
	HEAT TREAT: NA		MATERIAL: Water	PART NUMBER: <b>00017146</b>		
FINISH: NA					SHEET: 2 OF 4	
TEXTURE: NA						



ENGINEERING DRAWING NUMBER: <b>00017146</b>	WEIGHT:	157438254 lbs	<b>UNLESS OTHERWISE SPECIFIED</b> DIMENSIONS ARE IN INCHES TOLERANCES DECIMALS: X ± .1 XX ± .01 XXX ± .001 XXXX ± .0005  ANGULAR: X ± 0.5 THIRD ANGLE PROJECTION 	DESIGNED BY:	BUMPHREY	CREATION DATE:	5/20/2016	<b>HYDRA POOLS</b>			
	VOLUME:	Inch <sup>3</sup>		DETAILED BY:	BUMPHREY	DETAILED DATE:	1/8/2018				
	COLOR:			LAST REVISED BY:	bumphrey	LAST REVISED DATE:	1/8/2018	TITLE: LAYOUT, 16' X 38' X 32', TEE, 2' RADIUS, 8" DEEP, HS110N, LIGHT, 2-1084, 3-INLET, 600 SERIES			
	HEAT TREAT:			MATERIAL:							
	FINISH:					PART NUMBER:	<b>00017146</b>		SCALE:	1:192	<b>A</b>
	TEXTURE:					SHEET:	3 OF 4				



ENGINEERING DRAWING NUMBER: <b>00017146</b>	WEIGHT:	157438254 lbs	<b>UNLESS OTHERWISE SPECIFIED</b> DIMENSIONS ARE IN INCHES TOLERANCES DECIMALS: X ± .1 XX ± .01 XXX ± .001 XXXX ± .0005  ANGULAR: X ± 0.5 THIRD ANGLE PROJECTION 	DESIGNED BY:	BUMPHREY	CREATION DATE:	5/20/2016	HYDRA POOLS	
	VOLUME:	Inch <sup>3</sup>		DETAILED BY:	BUMPHREY	DETAILED DATE:	1/8/2018		
	COLOR:			LAST REVISED BY:	bumphrey	LAST REVISED DATE:	1/8/2018	TITLE: LAYOUT, 16' X 38' X 32', TEE, 2' RADIUS, 8' DEEP, HS110N, LIGHT, 2-1084, 3-INLET, 600 SERIES	
	HEAT TREAT:			MATERIAL:					
	FINISH:					PART NUMBER:	00017146		SCALE:
TEXTURE:						SHEET:	4 OF 4		