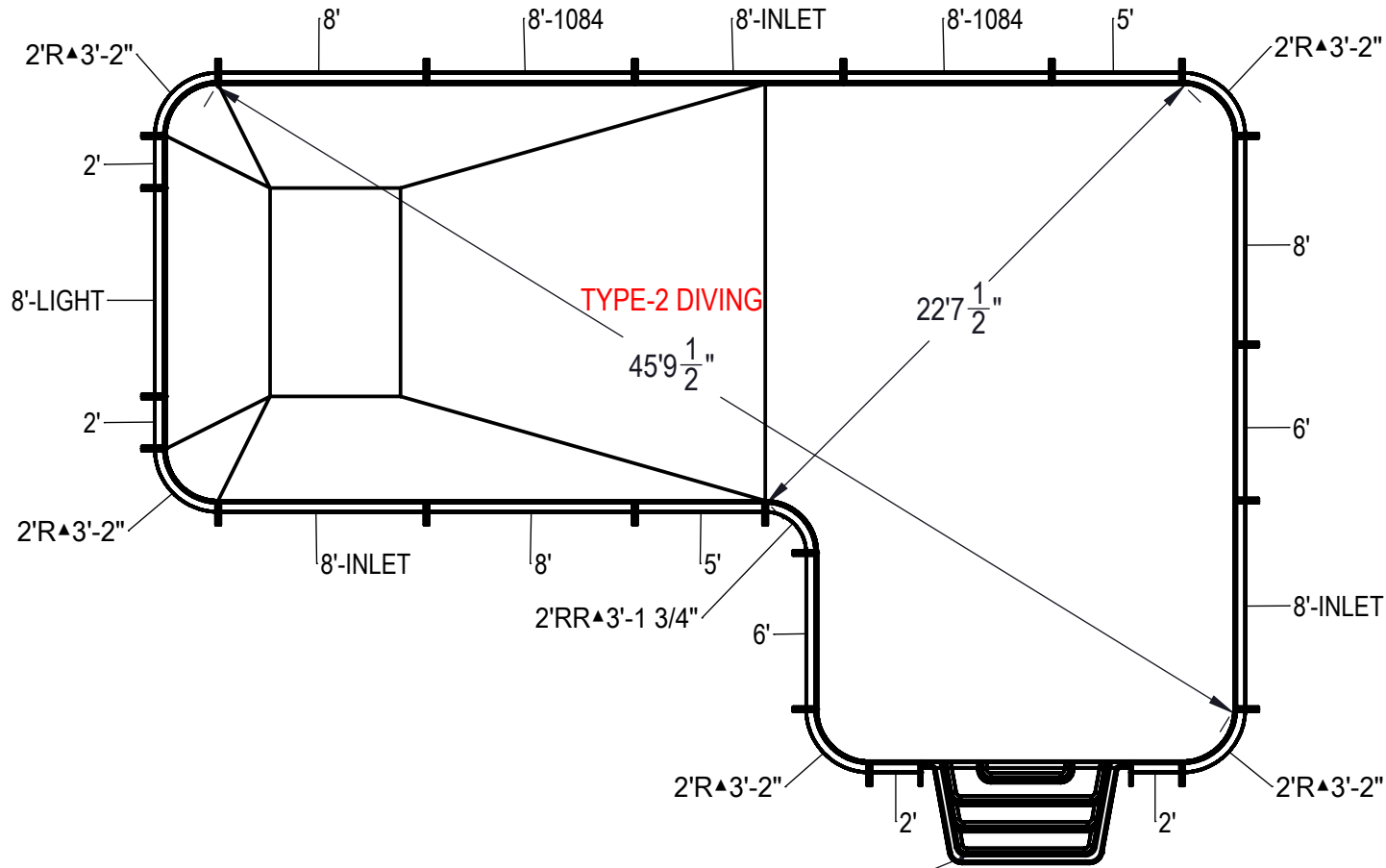


REVISION HISTORY				
REV.	DESCRIPTION	DATE	ECO	BY



NOTES:

- THESE ARE FINISHED DIMENSIONS READY FOR THE LINER.
- DIMENSIONS ARE FROM INSIDE POOL PANELS.
- ROPE AND FLOAT ASSEMBLY SHOULD BE INSTALLED IN ACCORDANCE WITH CURRENT ANSI/ASPS/ICC REGULATIONS
- HYDRA LINER TRACK FOR STEPS IS INSTALLED WITH THE BARB FACING THE RISER WALL ON THE STEP.

EXCAVATION NOTES:

- ROUGH EXCAVATION SHOULD BE 2" DEEPER IN EACH INSTANCE.
- SOIL TO HAVE MINIMUM BEARING CAPACITY OF 1500 PSF.
- LOCATE TOP OF POOL AT LEAST 6" ABOVE THE SURROUNDING LAND ELEVATION.
- SEE "OVER DIG DETAIL" FOR EXCAVATION AROUND POOL.
- FILL VOIDS UNDER BASE OF PANELS AND TAMP WELL.
- BACK FILL WITH NON-EXPANSIVE MATERIAL.
- FOLLOW ALL CURRENT ANSI / APSP / ICC GUIDELINES FOR RESIDENTIAL POOLS

IMPORTANT NOTES:

THIS DOCUMENT IS FOR ILLUSTRATIVE PURPOSES ONLY. THE DEALER OR CONTRACTOR WHO SELLS OR INSTALLS YOUR POOL IS AN INDEPENDENT CONTRACTOR AND IS NOT AN AGENT OF THE MANUFACTURER. THE CONSTRUCTION METHODS ILLUSTRATED HERE ARE SUGGESTIONS AND APPLY ONLY TO NORMAL GROUND CONDITIONS. THERE MAY BE ADDITIONAL PRECAUTIONS AND/OR METHODS OF CONSTRUCTION. PROPER INSTALLATION IS THE RESPONSIBILITY OF THE DEALER/BUILDER/CONTRACTOR.

ITEM	FILE NAME	DESCRIPTION	CUSTOMER DRAWING #	VENDOR PART #	QTY.
1	BOLT, PACK	BOLT, FLANGE, 3/8-16 X 1", PACK (50)	HPS1916	HPS1916	6
2	SBRACE	BRACE, FOLD OVER WITH TURNBUCKLE, STEEL, HPSFOB	HPSFOB	HPSFOB	24
3	PANEL, STRAIGHT	PANEL, 2' LONG, 600 SERIES	HPSPD102P	00000621	4
4	PANEL, RADIUS	PANEL, 2' RADIUS, 3-2" LONG, 600 SERIES	HPSPD2R	00000287	5
5	PANEL, RR	PANEL, 2' REVERSE RADIUS, 3'-1 3/4" LONG, 600 SERIES	HPSPD2RR	00000288	1
6	PANEL, STRAIGHT	PANEL, 5' LONG, 600 SERIES	HPSPD105P	00000674	2
7	PANEL, STRAIGHT	PANEL, 6' LONG, 600 SERIES	HPSPD106P	00000676	2
8	PANEL, STRAIGHT	PANEL, 8' LONG, 1084, 600 SERIES	HPSPD10884	00002006	2
9	PANEL, STRAIGHT	PANEL, 8' LONG, 600 SERIES	HPSPD108P	00000687	3
10	PANEL, STRAIGHT	PANEL, 8' LONG, INLET, 600 SERIES	HPSPD108I	00000699	3
11	PANEL, STRAIGHT	PANEL, 8' LONG, LIGHT, 600 SERIES	HPSPD108L	00000701	1
12	HS110N	STEP, 8", TWIN SEAT, 4 TREAD	HS110N	HS110N	1

ENGINEERING DRAWING NUMBER
00017344

WEIGHT: 338245.90 lbs
VOLUME: Inch³
COLOR:
HEAT TREAT:
FINISH:
TEXTURE:

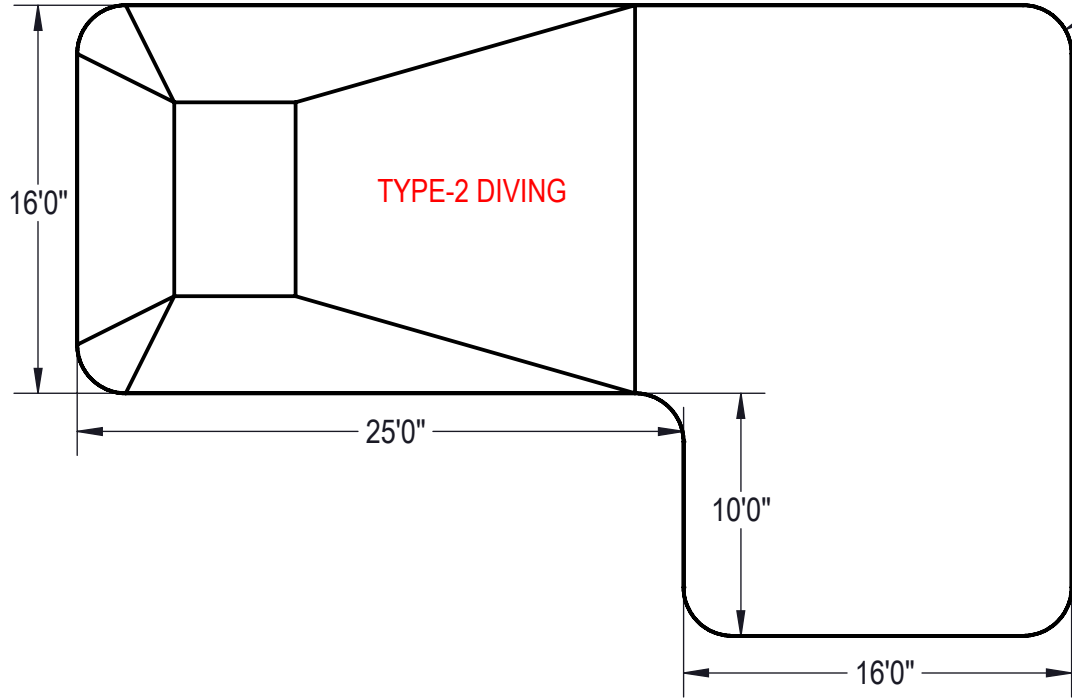
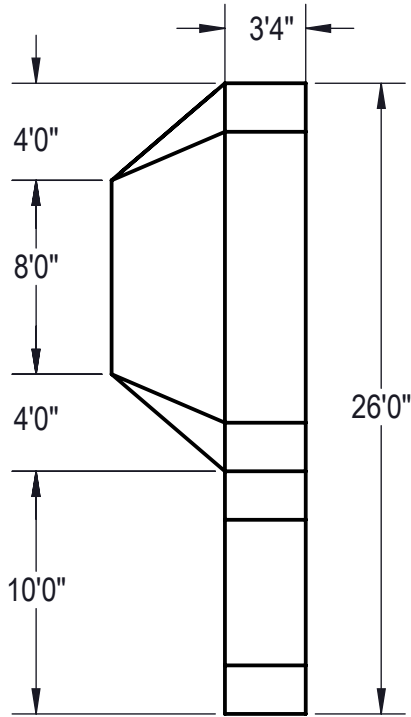
UNLESS OTHERWISE SPECIFIED
DIMENSIONS ARE IN INCHES
TOLERANCES
DECIMALS: X ± .1
 XX ± .01
 XXX ± .001
 XXXX ± .0005
ANGULAR: X ± 0.5
THIRD ANGLE PROJECTION

DESIGNED BY: BUMPHREY
CREATION DATE: 10/5/2011
DETAILED BY: RSANVICENTE
DETAILED DATE: 1/23/2018
LAST REVISED BY: hyeng
LAST REVISED DATE: 1/23/2018
MATERIAL:

HYDRA POOLS

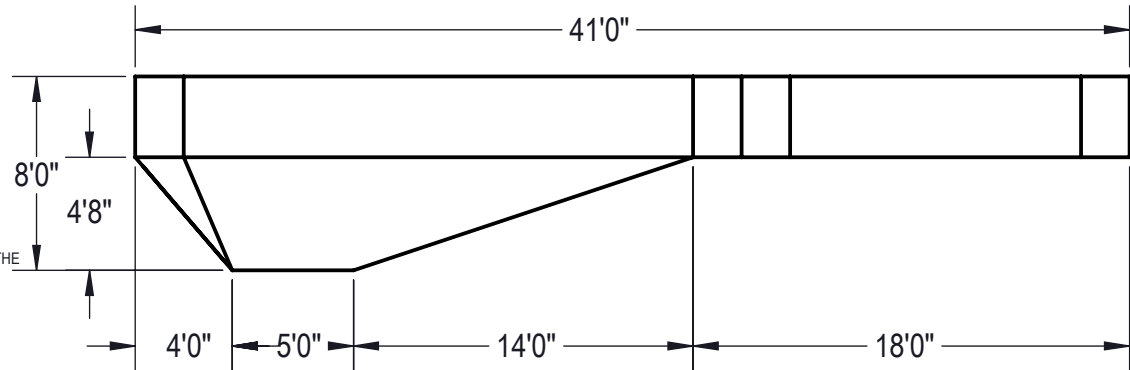
TITLE: LAYOUT, 16' X 41' X 26', TRUE L, LEFT, 2' RADIUS, 8' DEEP, HS110N, LIGHT, 3- INLET, 2- 1084, 600 SERIES

PART NUMBER: 00017344
SCALE: 1:192
SHEET: 1 OF 4
SIZE: A



R2'0"
TYP

Area: 812.57ft ^2
Perimeter: 128.85ft
Volume = 26525 US gallons



NOTES:

1. THESE ARE FINISHED DIMENSIONS READY FOR THE LINER.
2. DIMENSIONS ARE FROM INSIDE POOL PANELS.
3. ROPE AND FLOAT ASSEMBLY SHOULD BE INSTALLED IN ACCORDANCE WITH CURRENT ANSI/ASPS/ICC REGULATIONS
4. HYDRA LINER TRACK FOR STEPS IS INSTALLED WITH THE BARB FACING THE RISER WALL ON THE STEP.

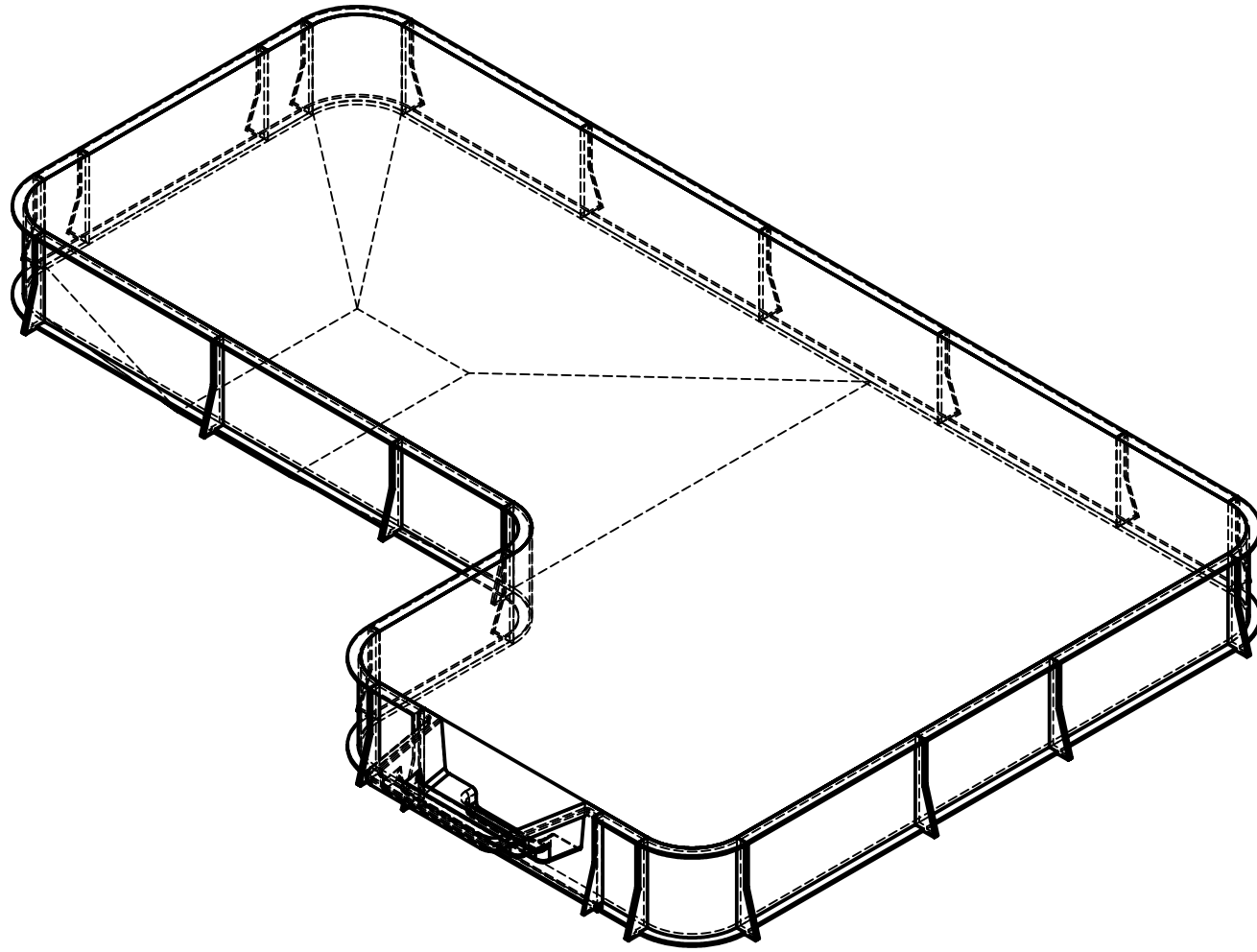
EXCAVATION NOTES:


5. ROUGH EXCAVATION SHOULD BE 2" DEEPER IN EACH INSTANCE.
6. SOIL TO HAVE MINIMUM BEARING CAPACITY OF 1500 PSF.
7. LOCATE TOP OF POOL AT LEAST 6" ABOVE THE SURROUNDING LAND ELEVATION.
8. SEE "OVER DIG DETAIL" FOR EXCAVATION AROUND POOL.
9. FILL VOIDS UNDER BASE OF PANELS AND TAMP WELL.
10. BACK FILL WITH NON-EXPANSIVE MATERIAL.
11. FOLLOW ALL CURRENT ANSI / ASP / ICC GUIDELINES FOR RESIDENTIAL POOLS

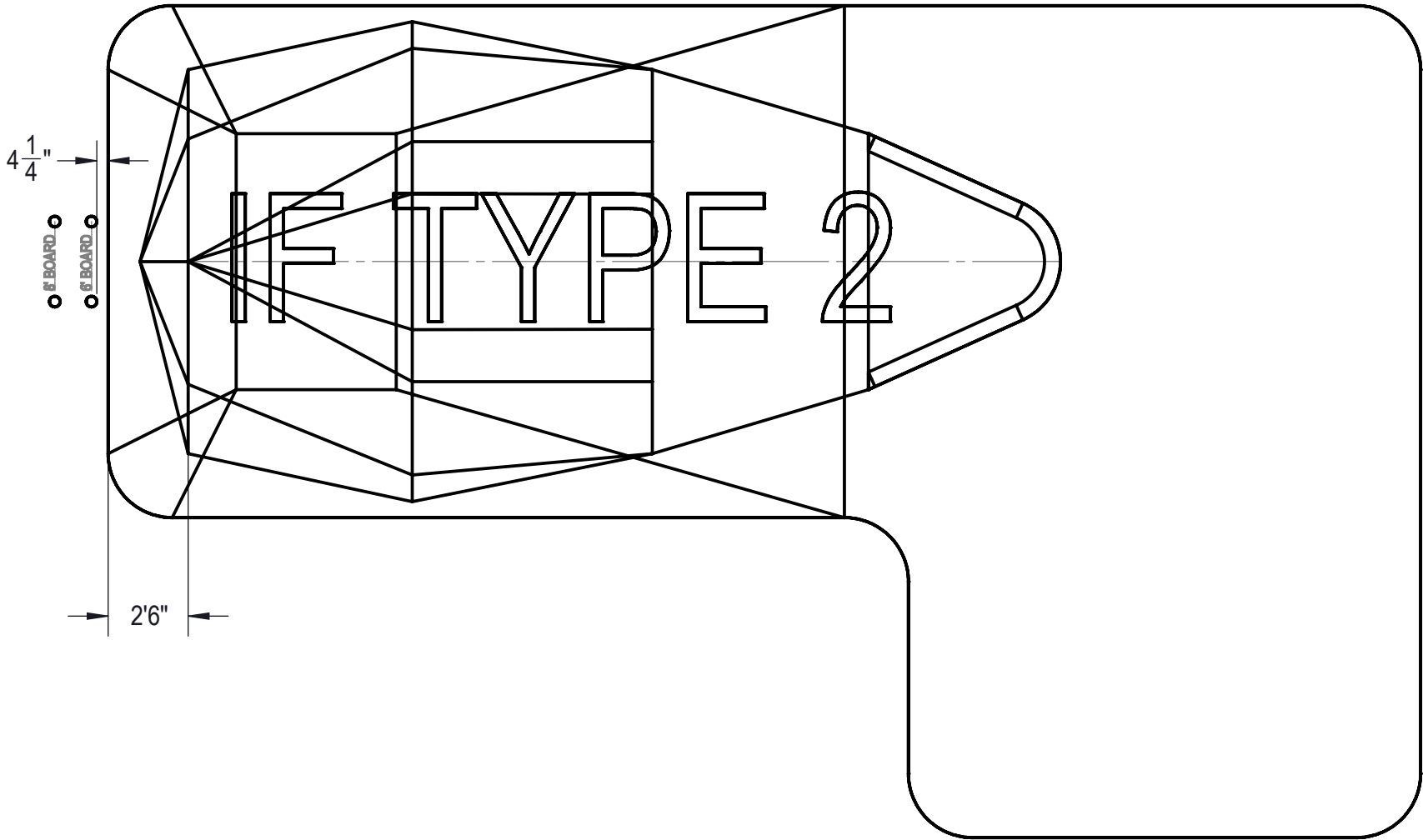
IMPORTANT NOTES:


THIS DOCUMENT IS FOR ILLUSTRATIVE PURPOSES ONLY. THE DEALER OR CONTRACTOR WHO SELLS OR INSTALLS YOUR POOL IS AN INDEPENDENT CONTRACTOR AND IS NOT AN AGENT OF THE MANUFACTURER. THE CONSTRUCTION METHODS ILLUSTRATED HERE ARE SUGGESTIONS AND APPLY ONLY TO NORMAL GROUND CONDITIONS. THERE MAY BE ADDITIONAL PRECAUTIONS AND/OR METHODS OF CONSTRUCTION. PROPER INSTALLATION IS THE RESPONSIBILITY OF THE DEALER/BUILDER/CONTRACTOR.

ENGINEERING DRAWING NUMBER: 00017344	WEIGHT: 100408205.07 lbs VOLUME: 100408205068.18 inch COLOR: NA HEAT TREAT: NA FINISH: NA TEXTURE: NA	UNLESS OTHERWISE SPECIFIED DIMENSIONS ARE IN INCHES TOLERANCES DECIMALS: X ± .1 XX ± .01 XXX ± .001 XXXX ± .0005 ANGULAR: X ± 0.5 THIRD ANGLE PROJECTION	DESIGNED BY: BUMPHREY DETAILED BY: RSANVICENTE LAST REVISED BY: hyeng MATERIAL: Material <not specified>	CREATION DATE: 2/19/2013 DETAILED DATE: 1/23/2018 LAST REVISED DATE: 1/23/2018	HYDRA POOLS TITLE: LAYOUT, 16' X 41' X 26', TRUE L, LEFT, 2' RADIUS, 8' DEEP, HS110N, LIGHT, 3- INLET, 2- 1084, 600 SERIES PART NUMBER: 00017344	SCALE: 1:128 SHEET: 2 OF 4 SIZE: A
--	--	---	--	---	--	--



ENGINEERING DRAWING NUMBER: 00017344	WEIGHT: 338245.90 lbs	UNLESS OTHERWISE SPECIFIED DIMENSIONS ARE IN INCHES TOLERANCES DECIMALS: X ± .1 XX ± .01 XXX ± .001 XXXX ± .0005 ANGULAR: X ± 0.5 THIRD ANGLE PROJECTION 	DESIGNED BY: BUMPHREY	CREATION DATE: 10/5/2011	HYDRA POOLS	
	VOLUME: Inch ³		DETAILED BY: RSANVICENTE	DETAILED DATE: 1/23/2018		
	COLOR:		LAST REVISED BY: hyeng	LAST REVISED DATE: 1/23/2018		
	HEAT TREAT:		MATERIAL:		TITLE: LAYOUT, 16' X 41' X 26', TRUE L, LEFT, 2' RADIUS, 8' DEEP, HS110N, LIGHT, 3- INLET, 2- 1084, 600 SERIES	
	FINISH:					
	TEXTURE:					
		PART NUMBER:		SCALE: 1:128	SIZE: A	
		00017344		SHEET: 3 OF 4		



ENGINEERING DRAWING NUMBER: 00017344	WEIGHT:	338245.90 lbs	UNLESS OTHERWISE SPECIFIED DIMENSIONS ARE IN INCHES TOLERANCES DECIMALS: X ± .1 XX ± .01 XXX ± .001 XXXX ± .0005 ANGULAR: X ± 0.5 THIRD ANGLE PROJECTION 	DESIGNED BY:	BUMPHREY	CREATION DATE:	10/5/2011	HYDRA POOLS		
	VOLUME:	Inch ³		DETAILED BY:	RSANVICENTE	DETAILED DATE:	1/23/2018			
	COLOR:			LAST REVISED BY:	hyeng	LAST REVISED DATE:	1/23/2018		TITLE: LAYOUT, 16' X 41' X 26', TRUE L, LEFT, 2' RADIUS, 8' DEEP, HS110N, LIGHT, 3- INLET, 2- 1084, 600 SERIES	
	HEAT TREAT:			MATERIAL:		PART NUMBER:	00017344	SCALE:		1:128
	FINISH:							SHEET:		4 OF 4
	TEXTURE:								SIZE:	A