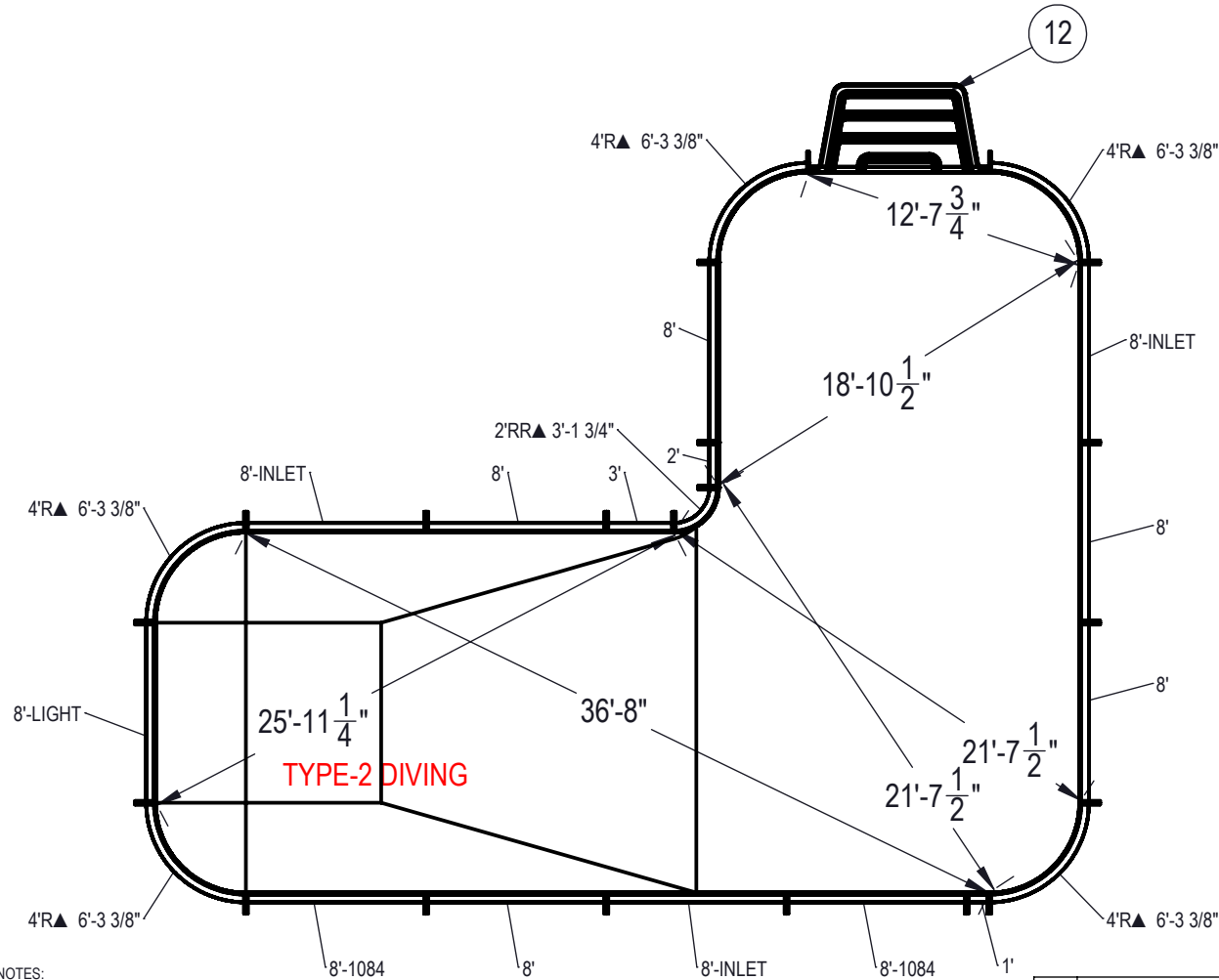


REVISION HISTORY				
REV.	DESCRIPTION	DATE	ECO	BY



**NOTES:**

1. THESE ARE FINISHED DIMENSIONS READY FOR THE LINER.
2. DIMENSIONS ARE FROM INSIDE POOL PANELS.
3. ROPE AND FLOAT ASSEMBLY SHOULD BE INSTALLED IN ACCORDANCE WITH CURRENT ANSI/ASPS/ICC REGULATIONS
4. HYDRA LINER TRACK FOR STEPS IS INSTALLED WITH THE BARB FACING THE RISER WALL ON THE STEP.

**EXCAVATION NOTES:**

5. ROUGH EXCAVATION SHOULD BE 2" DEEPER IN EACH INSTANCE.
6. SOIL TO HAVE MINIMUM BEARING CAPACITY OF 1500 PSF.
7. LOCATE TOP OF POOL AT LEAST 6" ABOVE THE SURROUNDING LAND ELEVATION.
8. SEE "OVER DIG DETAIL" FOR EXCAVATION AROUND POOL.
9. FILL VOIDS UNDER BASE OF PANELS AND TAMP WELL.
10. BACK FILL WITH NON-EXPANSIVE MATERIAL.
11. FOLLOW ALL CURRENT ANSI / APSP / ICC GUIDELINES FOR RESIDENTIAL POOLS

**IMPORTANT NOTES:**

THIS DOCUMENT IS FOR ILLUSTRATIVE PURPOSES ONLY. THE DEALER OR CONTRACTOR WHO SELLS OR INSTALLS YOUR POOL IS AN INDEPENDENT CONTRACTOR AND IS NOT AN AGENT OF THE MANUFACTURER. THE CONSTRUCTION METHODS ILLUSTRATED HERE ARE SUGGESTIONS AND APPLY ONLY TO NORMAL GROUND CONDITIONS. THERE MAY BE ADDITIONAL PRECAUTIONS AND/OR METHODS OF CONSTRUCTION. PROPER INSTALLATION IS THE RESPONSIBILITY OF THE DEALER/BUILDER/CONTRACTOR.

ITEM	FILE NAME	DESCRIPTION	CUSTOMER DRAWING #	VENDOR PART #	QTY.
1	BOLT, PACK	BOLT, FLANGE, 3/8-16 X 1", PACK (50)	HPS1916	HPS1916	5
2	SBRACE	BRACE, FOLD OVER WITH TURNBUCKLE, STEEL, HPSFOB	HPSFOB	HPSFOB	21
3	PANEL, STRAIGHT	PANEL, 1' LONG, 600 SERIES	HPSD101P	00000621	1
4	PANEL, STRAIGHT	PANEL, 2' LONG, 600 SERIES	HPSD102P	00000639	1
5	PANEL, RR	PANEL, 2' REVERSE RADIUS, 3'-1 3/4" LONG, 600 SERIES	HPSD2RR	00000288	1
6	PANEL, STRAIGHT	PANEL, 3' LONG, 600 SERIES	HPSD103P	00000643	1
7	PANEL, RADIUS	PANEL, 4' RADIUS, 6'-3 3/8" LONG, 600 SERIES	HPSD4R	00000289	5
8	PANEL, STRAIGHT	PANEL, 8' LONG, 1084, 600 SERIES	HPSD10884	00002006	2
9	PANEL, STRAIGHT	PANEL, 8' LONG, 600 SERIES	HPSD108P	00000687	5
10	PANEL, STRAIGHT	PANEL, 8' LONG, INLET, 600 SERIES	HPSD108I	00000699	3
11	PANEL, STRAIGHT	PANEL, 8' LONG, LIGHT, 600 SERIES	HPSD108L	00000701	1
12	HS110N	STEP, 8", TWIN SEAT, 4 TREAD	HS110N	HS110N	1

**UNLESS OTHERWISE SPECIFIED**

DESIGNED BY: **BUMPHREY**  
 DETAILED BY: **BUMPHREY**  
 LAST REVISED BY: **bumphrey**  
 MATERIAL:

CREATION DATE: **4/4/2013**  
 DETAILED DATE: **1/3/2018**  
 LAST REVISED DATE: **1/3/2018**

WEIGHT: lbs  
 VOLUME: Inch<sup>3</sup>  
 COLOR: NA  
 HEAT TREAT: NA  
 FINISH: NA  
 TEXTURE: NA

DIMENSIONS ARE IN INCHES  
 TOLERANCES  
 DECIMALS: X ± .1  
 XX ± .01  
 XXX ± .001  
 XXXX ± .0005

ANGULAR: X ± 0.5  
 THIRD ANGLE PROJECTION

ENGINEERING DRAWING NUMBER: **00017061**

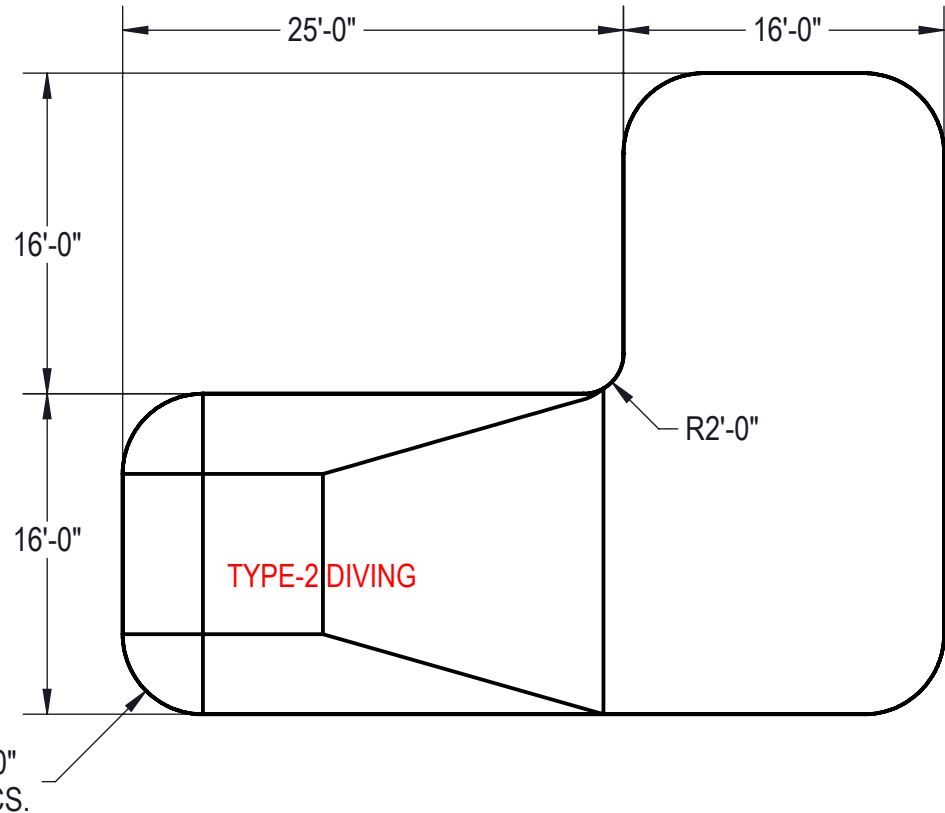
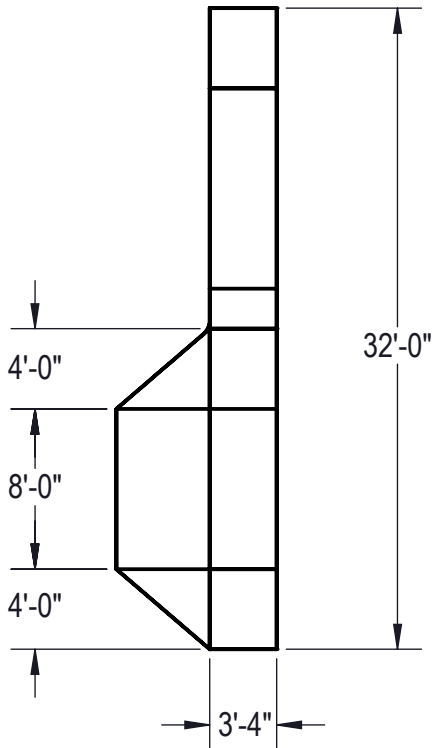
**HYDRA POOLS**

TITLE: **LAYOUT, 16' X 41' X 32', TRUE L, RIGHT, 4' RADIUS, 2' REVERSE RADIUS, 8' DEEP, LIGHT, 2-1084, 3-INLET, 600 SERIES**

PART NUMBER: **00017061**

SCALE: 1:128  
 SHEET: 1 OF 4

SIZE: **A**



**Area: 895.69ft ^2**  
**Perimeter: 136.56ft**  
**Volume = 28957 US gallons**

**NOTES:**

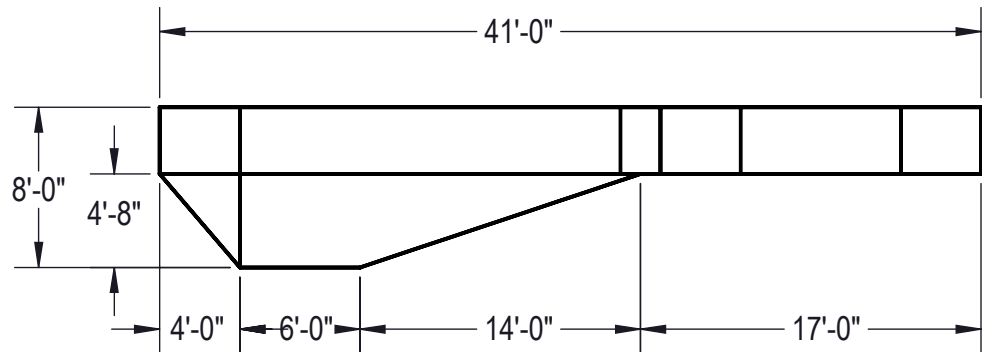
1. THESE ARE FINISHED DIMENSIONS READY FOR THE LINER.
2. DIMENSIONS ARE FROM INSIDE POOL PANELS.
3. ROPE AND FLOAT ASSEMBLY SHOULD BE INSTALLED IN ACCORDANCE WITH CURRENT ANSI/ASPS/ICC REGULATIONS
4. HYDRA LINER TRACK FOR STEPS IS INSTALLED WITH THE BARB FACING THE RISER WALL ON THE STEP.

**EXCAVATION NOTES:**

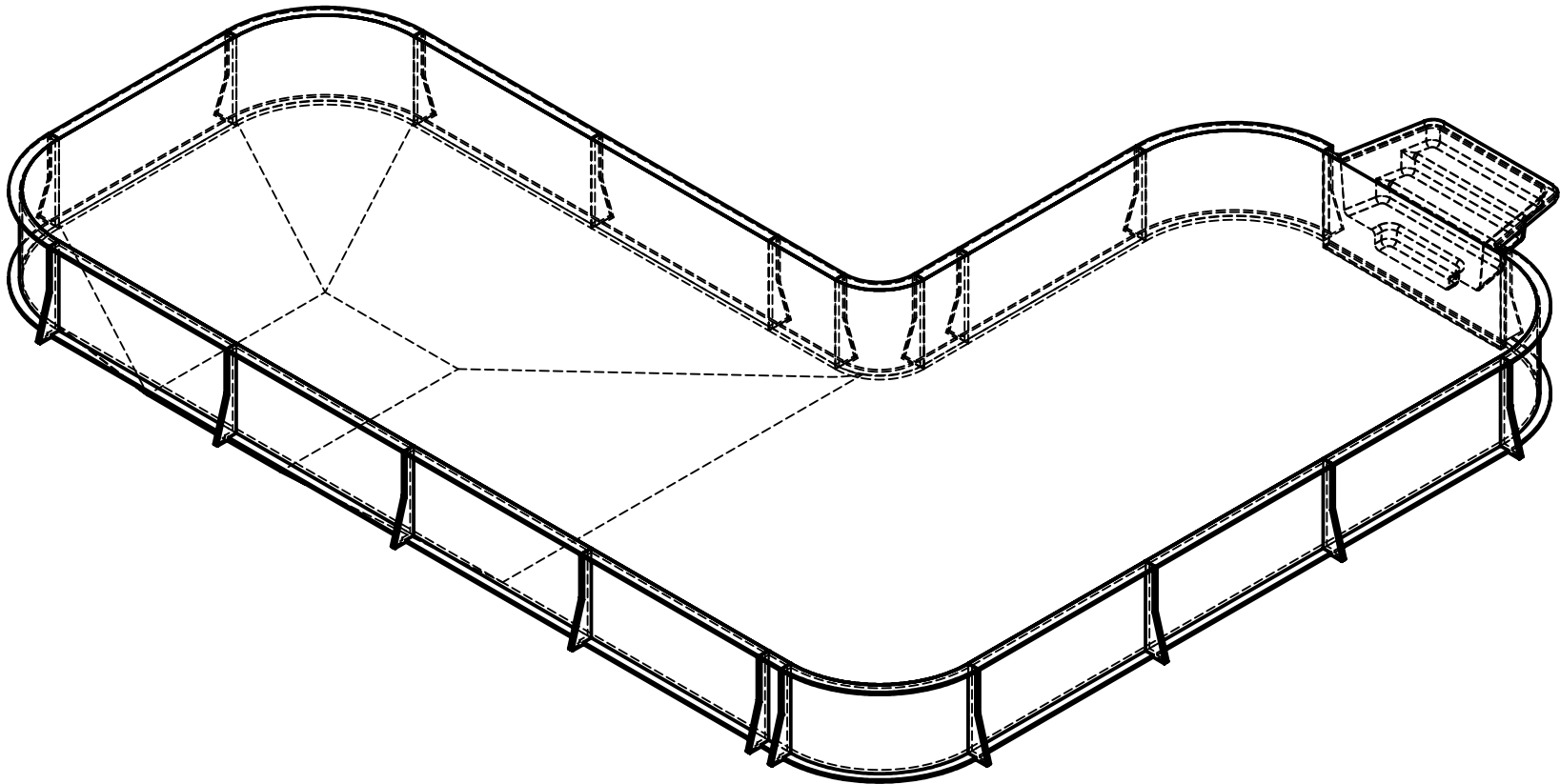
5. ROUGH EXCAVATION SHOULD BE 2" DEEPER IN EACH INSTANCE.
6. SOIL TO HAVE MINIMUM BEARING CAPACITY OF 1500 PSF.
7. LOCATE TOP OF POOL AT LEAST 6" ABOVE THE SURROUNDING LAND ELEVATION.
8. SEE "OVER DIG DETAIL" FOR EXCAVATION AROUND POOL.
9. FILL VOIDS UNDER BASE OF PANELS AND TAMP WELL.
10. BACK FILL WITH NON-EXPANSIVE MATERIAL.
11. FOLLOW ALL CURRENT ANSI / ASP / ICC GUIDELINES FOR RESIDENTIAL POOLS


**IMPORTANT NOTES:**

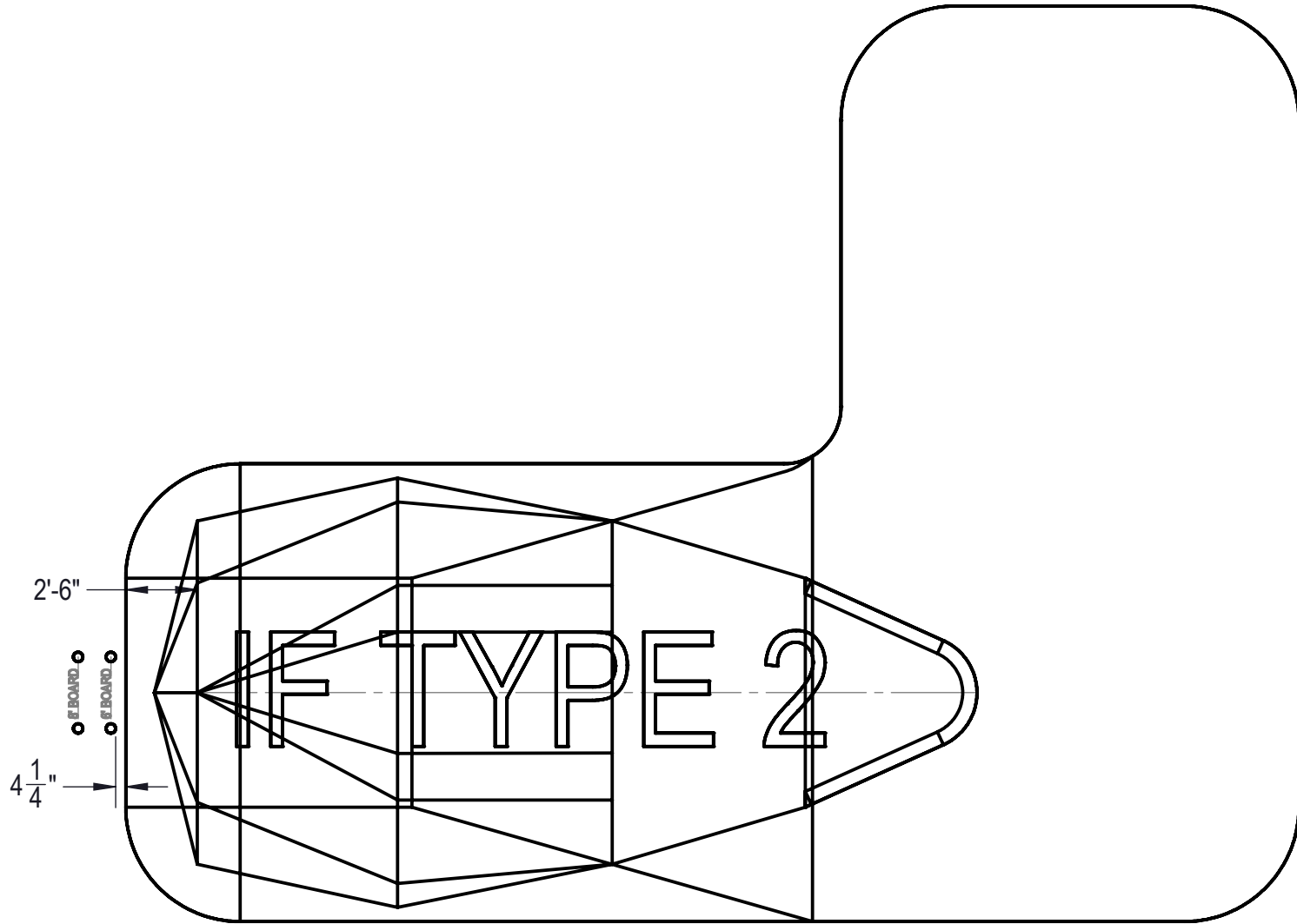
THIS DOCUMENT IS FOR ILLUSTRATIVE PURPOSES ONLY. THE DEALER OR CONTRACTOR WHO SELLS OR INSTALLS YOUR POOL IS AN INDEPENDENT CONTRACTOR AND IS NOT AN AGENT OF THE MANUFACTURER. THE CONSTRUCTION METHODS ILLUSTRATED HERE ARE SUGGESTIONS AND APPLY ONLY TO NORMAL GROUND CONDITIONS. THERE MAY BE ADDITIONAL PRECAUTIONS AND/OR METHODS OF CONSTRUCTION. PROPER INSTALLATION IS THE RESPONSIBILITY OF THE DEALER/BUILDER/CONTRACTOR.



ENGINEERING DRAWING NUMBER: <b>00017061</b>	WEIGHT: 241655.407 lbs	<b>UNLESS OTHERWISE SPECIFIED</b> DIMENSIONS ARE IN INCHES TOLERANCES DECIMALS: X ± .1 XX ± .01 XXX ± .001 XXXX ± .0005  ANGULAR: X ± 0.5 THIRD ANGLE PROJECTION	DESIGNED BY: <b>BUMPHREY</b>	CREATION DATE: 12/19/2013	<b>HYDRA POOLS</b>	
	VOLUME: 6689000.519 Inch³		DETAILED BY: <b>BUMPHREY</b>	DETAILED DATE: 1/3/2018		
	COLOR: NA		LAST REVISED BY: <b>bumphrey</b>	LAST REVISED DATE: 1/3/2018	TITLE: LAYOUT, 16' X 41' X 32', TRUE L, RIGHT, 4' RADIUS, 2' REVERSE RADIUS, 8' DEEP, LIGHT, 2-1084, 3-INLET, 600 SERIES	
	HEAT TREAT: NA		MATERIAL: Water	PART NUMBER: <b>00017061</b>		
FINISH: NA					SHEET: 2 OF 4	
TEXTURE: NA						



ENGINEERING DRAWING NUMBER: <b>00017061</b>	WEIGHT:	<b>UNLESS OTHERWISE SPECIFIED</b> DIMENSIONS ARE IN INCHES TOLERANCES DECIMALS: X ± .1 XX ± .01 XXX ± .001 XXXX ± .0005  ANGULAR: X ± 0.5 THIRD ANGLE PROJECTION 	DESIGNED BY:	CREATION DATE:	<b>HYDRA POOLS</b>		
	lbs		BUMPHREY	4/4/2013			
	VOLUME:		MATERIAL:	DETAILED BY:	DETAILED DATE:	TITLE: LAYOUT, 16' X 41' X 32', TRUE L, RIGHT, 4' RADIUS, 2' REVERSE RADIUS, 8' DEEP, LIGHT, 2-1084, 3-INLET, 600 SERIES	
	Inch <sup>3</sup>			BUMPHREY	1/3/2018		
	COLOR:			LAST REVISED BY:	LAST REVISED DATE:		
	NA			bumphrey	1/3/2018	PART NUMBER:	SCALE:
HEAT TREAT:				<b>00017061</b>	1:128	<b>A</b>	
NA				SHEET:			
FINISH:				3 OF 4			
TEXTURE:							
NA							



ENGINEERING DRAWING NUMBER: <b>00017061</b>	WEIGHT:	<b>UNLESS OTHERWISE SPECIFIED</b> DIMENSIONS ARE IN INCHES TOLERANCES DECIMALS: X ± .1 XX ± .01 XXX ± .001 XXXX ± .0005  ANGULAR: X ± 0.5 THIRD ANGLE PROJECTION 	DESIGNED BY:	CREATION DATE:	<b>HYDRA POOLS</b>	
	lbs		BUMPHREY	4/4/2013		
	VOLUME:		DETAILED BY:	DETAILED DATE:		
	Inch <sup>3</sup>		BUMPHREY	1/3/2018	TITLE:	LAYOUT, 16' X 41' X 32', TRUE L, RIGHT, 4' RADIUS, 2' REVERSE RADIUS, 8' DEEP, LIGHT, 2-1084, 3-INLET, 600 SERIES
	COLOR:		LAST REVISED BY:	LAST REVISED DATE:	PART NUMBER:	
	NA		bumphrey	1/3/2018	00017061	SCALE:
HEAT TREAT:	MATERIAL:			1:128	A	
NA				SHEET:		
FINISH:				4 OF 4		
NA						
TEXTURE:						
NA						