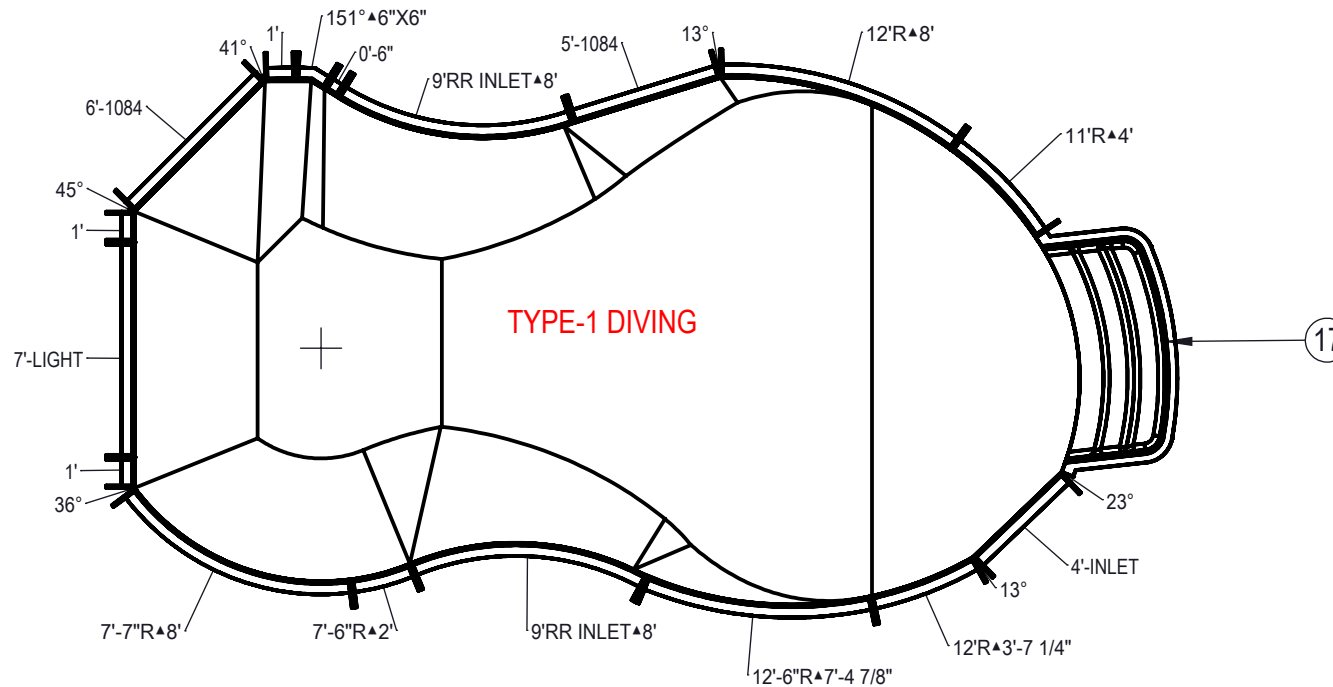


REVISION HISTORY				
REV.	DESCRIPTION	DATE	ECO	BY



NOTES:

- THESE ARE FINISHED DIMENSIONS READY FOR THE LINER.
- DIMENSIONS ARE FROM INSIDE POOL PANELS.
- ROPE AND FLOAT ASSEMBLY SHOULD BE INSTALLED IN ACCORDANCE WITH CURRENT ANSI/ASPS/ICC REGULATIONS
- HYDRA LINER TRACK FOR STEPS IS INSTALLED WITH THE BARB FACING THE RISER WALL ON THE STEP.

EXCAVATION NOTES:

- ROUGH EXCAVATION SHOULD BE 2" DEEPER IN EACH INSTANCE.
- SOIL TO HAVE MINIMUM BEARING CAPACITY OF 1500 PSF.
- LOCATE TOP OF POOL AT LEAST 6" ABOVE THE SURROUNDING LAND ELEVATION.
- SEE "OVER DIG DETAIL" FOR EXCAVATION AROUND POOL.
- FILL VOIDS UNDER BASE OF PANELS AND TAMP WELL.
- BACK FILL WITH NON-EXPANSIVE MATERIAL.
- FOLLOW ALL CURRENT ANSI / APSP / ICC GUIDELINES FOR RESIDENTIAL POOLS

IMPORTANT NOTES:

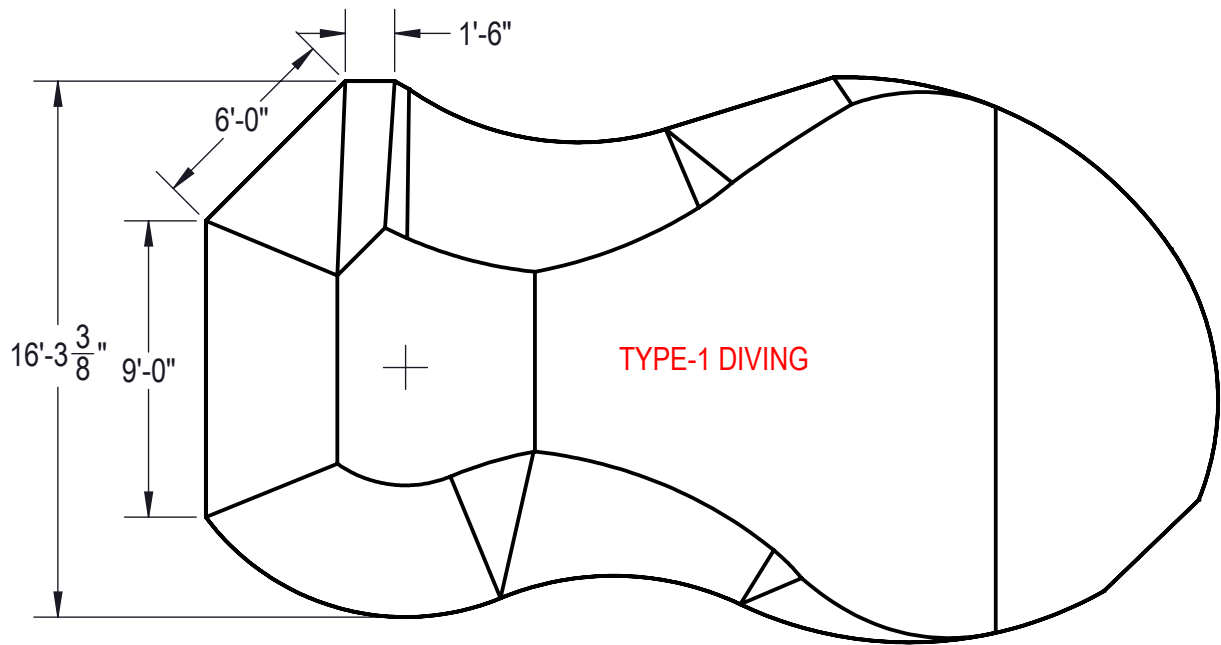
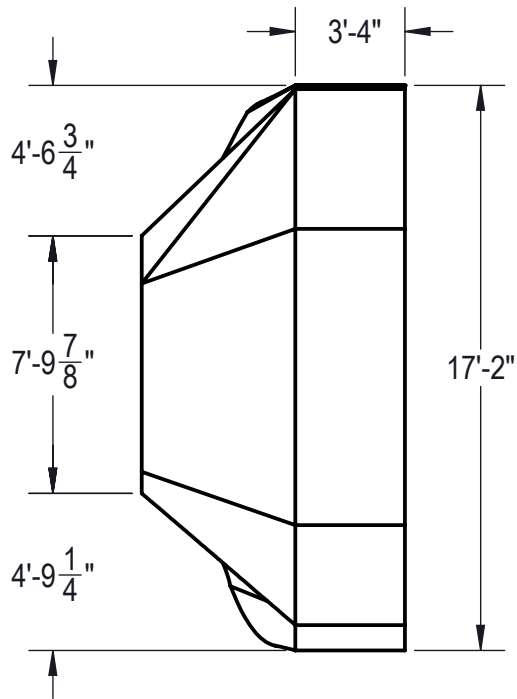
THIS DOCUMENT IS FOR ILLUSTRATIVE PURPOSES ONLY. THE DEALER OR CONTRACTOR WHO SELLS OR INSTALLS YOUR POOL IS AN INDEPENDENT CONTRACTOR AND IS NOT AN AGENT OF THE MANUFACTURER. THE CONSTRUCTION METHODS ILLUSTRATED HERE ARE SUGGESTIONS AND APPLY ONLY TO NORMAL GROUND CONDITIONS. THERE MAY BE ADDITIONAL PRECAUTIONS AND/OR METHODS OF CONSTRUCTION. PROPER INSTALLATION IS THE RESPONSIBILITY OF THE DEALER/BUILDER/CONTRACTOR.

ITEM	FILE NAME	DESCRIPTION	CUSTOMER DRAWING #	VENDOR PART #	QTY.
1	BOLT, PACK	BOLT, FLANGE, 3/8-16 X 1", PACK (50)	HPS1916	HPS1916	6
2	SBRACE	BRACE, FOLD OVER WITH TURNBUCKLE, STEEL, HPSFOB	HPSFOB	HPSFOB	25
3	PANEL, ANGLE	PANEL, ANGLE, 6" X 6" X 151", 600 SERIES	HPSCE2	00009574	1
4	PANEL, STRAIGHT	PANEL, 0'-6" LONG, 600 SERIES	HPSD6P	00001405	1
5	PANEL, STRAIGHT	PANEL, 1' LONG, 600 SERIES	HPSD101P	00000621	3
6	PANEL, RADIUS	PANEL, 11' RADIUS, 4' LONG, 600 SERIES	HPSD11R4	00001136	1
7	PANEL, RADIUS	PANEL, 12' RADIUS, 3'-7 1/4" LONG, 600 SERIES	HPSCR4	00008632	1
8	PANEL, RADIUS	PANEL, 12' RADIUS, 8' LONG, 600 SERIES	HPSD12R8	00000439	1
9	PANEL, RADIUS	PANEL, 12'-6" RADIUS, 7'-4 7/8" LONG, 600 SERIES	HPSCR8	00007673	1
10	PANEL, STRAIGHT	PANEL, 4' LONG, INLET, 600 SERIES	HPSE104I	00000281	1
11	PANEL, STRAIGHT	PANEL, 5' LONG, 1084, 600 SERIES	HPS10584	00000283	1
12	PANEL, STRAIGHT	PANEL, 6' LONG, 1084, 600 SERIES	HPS10684	00000283	1
13	PANEL, STRAIGHT	PANEL, 7' LONG, LIGHT, 600 SERIES	HPSD107L	00002003	1
14	PANEL, RADIUS	PANEL, 7'-6" RADIUS, 2' LONG, 600 SERIES	HPSCR3	00002377	1
15	PANEL, RADIUS	PANEL, 7'-7" RADIUS, 8' LONG, 600 SERIES	HPSCR8	00003046	1
16	PANEL, RR	PANEL, 9' REVERSE RADIUS, 8' LONG, INLET, 600 SERIES	HPSCR8R	00005937	2
17	HS306N	STEP, 8' RADIUS, 3 TREAD, CANTILEVER	HS306N	HS306N	1
18	PANEL, WEDGE	WEDGE, 18" X 2 1/2" X 2 1/2" X 45°	HPSCW1	00005955	1
19	PANEL, WEDGE	WEDGE, 2 1/2" X 2 1/2" X 36°	HPSCW1	00002632	1
20	PANEL, WEDGE	WEDGE, 2 1/2" X 2 1/2" X 23°	HPSCW1	00003756	1
21	PANEL, WEDGE	WEDGE, 42" X 2 1/2" X 2 1/2" X 13°	HPSD13W	00004886	2
22	PANEL, WEDGE	WEDGE, 42" X 2 1/2" X 2 1/2" X 41°	HPSD41W	00002200	1

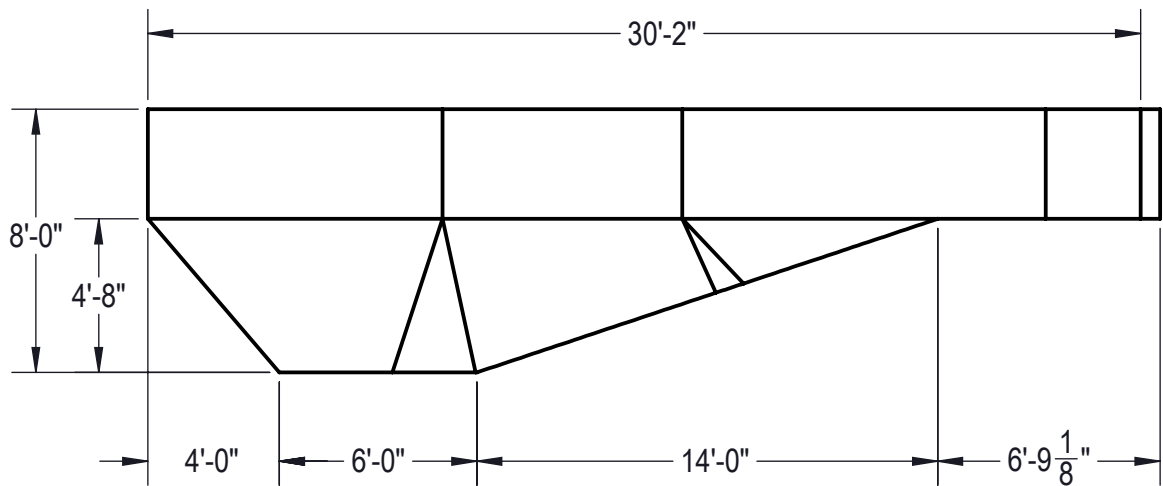
ENGINEERING DRAWING NUMBER: 00017240	WEIGHT: 239621.7 lbs	UNLESS OTHERWISE SPECIFIED DIMENSIONS ARE IN INCHES TOLERANCES DECIMALS: X ± .1 XX ± .01 XXX ± .001 XXXX ± .0005 ANGULAR: X ± 0.5 THIRD ANGLE PROJECTION
	VOLUME: Inch ³	
	COLOR:	
	HEAT TREAT:	
	FINISH:	
	TEXTURE:	

DESIGNED BY: THARKENRIDER	CREATION DATE: 1/3/2014
DETAILED BY: RSANVICENTE	DETAILED DATE: 1/16/2018
LAST REVISED BY: hyeng	LAST REVISED DATE: 1/16/2018
MATERIAL:	

HYDRA POOLS	
TITLE: LAYOUT, 17'-6" X 30'-2", OASIS, 8' DEEP, HS306N, LIGHT, 3-INLET, 2- 1084, 600 SERIES	
PART NUMBER: 00017240	SCALE: 1:75 SHEET: 1 OF 4
	SIZE: A



Area: 434.52ft ^2
Perimeter: 83.48ft
Volume = 16760 US gallons



NOTES:

1. THESE ARE FINISHED DIMENSIONS READY FOR THE LINER.
2. DIMENSIONS ARE FROM INSIDE POOL PANELS.
3. ROPE AND FLOAT ASSEMBLY SHOULD BE INSTALLED IN ACCORDANCE WITH CURRENT ANSI/ASPS/ICC REGULATIONS
4. HYDRA LINER TRACK FOR STEPS IS INSTALLED WITH THE BARB FACING THE RISER WALL ON THE STEP.

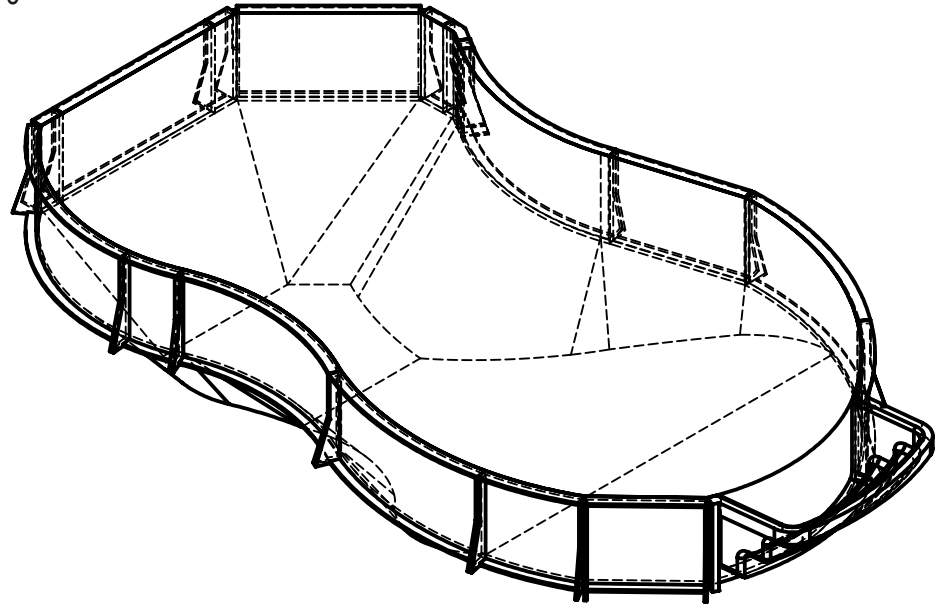
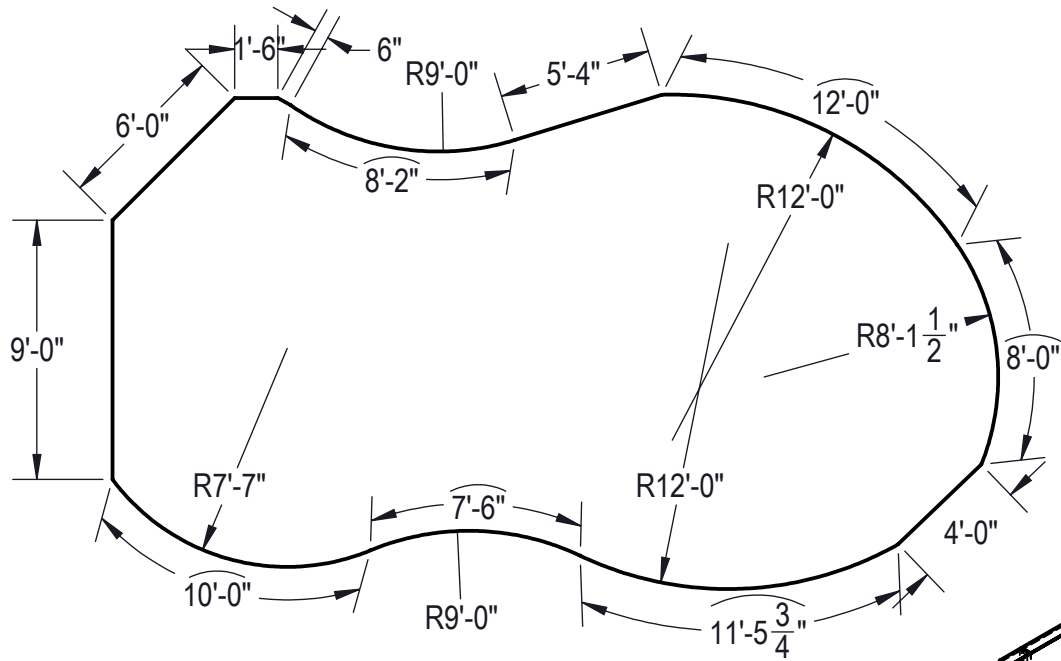
EXCAVATION NOTES:

5. ROUGH EXCAVATION SHOULD BE 2" DEEPER IN EACH INSTANCE.
6. SOIL TO HAVE MINIMUM BEARING CAPACITY OF 1500 PSF.
7. LOCATE TOP OF POOL AT LEAST 6" ABOVE THE SURROUNDING LAND ELEVATION.
8. SEE "OVER DIG DETAIL" FOR EXCAVATION AROUND POOL.
9. FILL VOIDS UNDER BASE OF PANELS AND TAMP WELL.
10. BACK FILL WITH NON-EXPANSIVE MATERIAL.
11. FOLLOW ALL CURRENT ANSI / APSP / ICC GUIDELINES FOR RESIDENTIAL POOLS

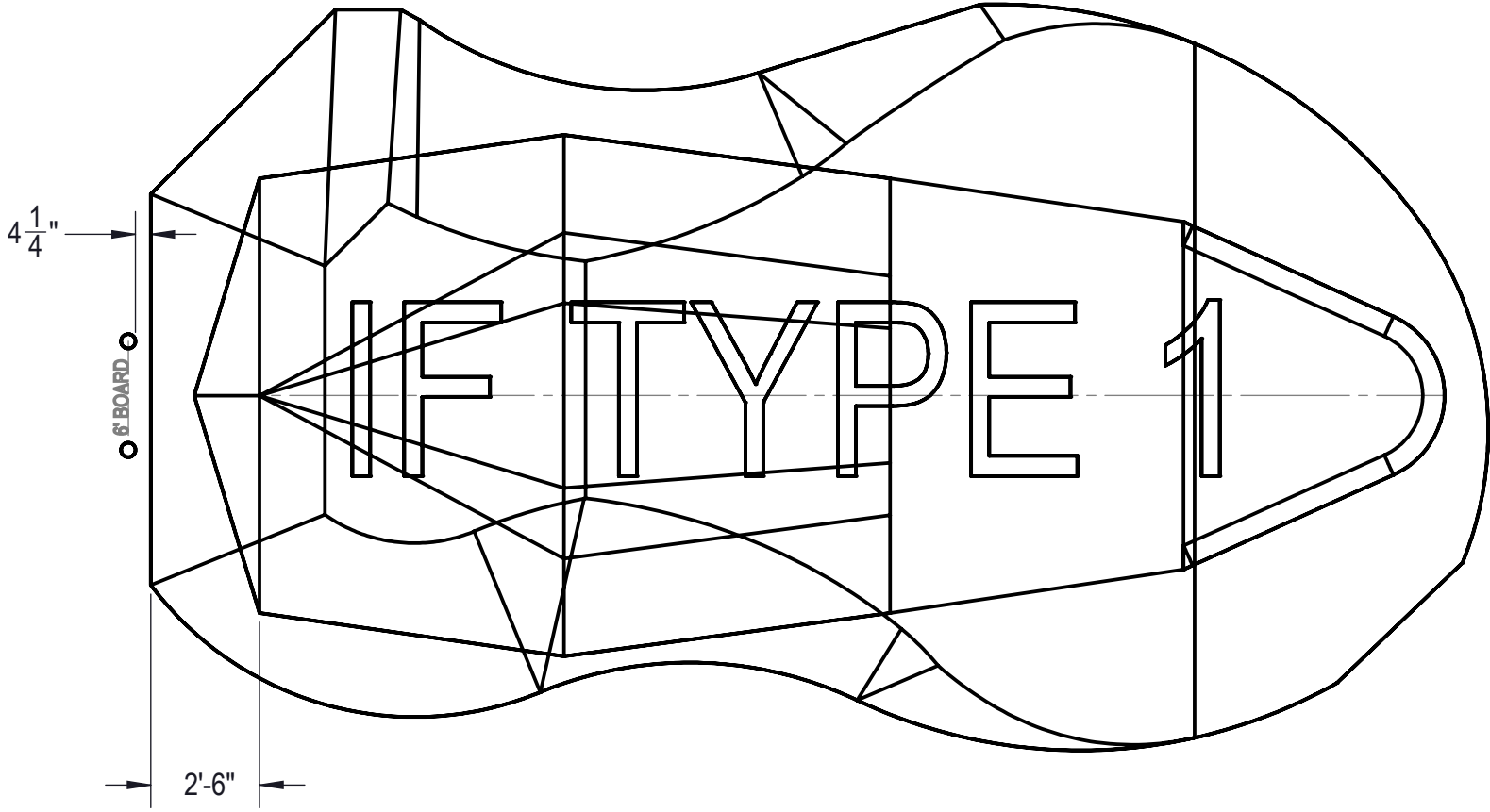
IMPORTANT NOTES:

THIS DOCUMENT IS FOR ILLUSTRATIVE PURPOSES ONLY. THE DEALER OR CONTRACTOR WHO SELLS OR INSTALLS YOUR POOL IS AN INDEPENDENT CONTRACTOR AND IS NOT AN AGENT OF THE MANUFACTURER. THE CONSTRUCTION METHODS ILLUSTRATED HERE ARE SUGGESTIONS AND APPLY ONLY TO NORMAL GROUND CONDITIONS. THERE MAY BE ADDITIONAL PRECAUTIONS AND/OR METHODS OF CONSTRUCTION. PROPER INSTALLATION IS THE RESPONSIBILITY OF THE DEALER/BUILDER/CONTRACTOR.

ENGINEERING DRAWING NUMBER: 00017240	WEIGHT: 139871.745 lbs	UNLESS OTHERWISE SPECIFIED DIMENSIONS ARE IN INCHES TOLERANCES DECIMALS: X ± .1 XX ± .01 XXX ± .001 XXXX ± .0005 ANGULAR: X ± 0.5 THIRD ANGLE PROJECTION	DESIGNED BY: THARKENRIDER	CREATION DATE: 1/3/2014	HYDRA POOLS	
	VOLUME: 3871637.654 Inch ³		DETAILED BY: RSANVICENTE	DETAILED DATE: 1/16/2018		
	COLOR: NA		LAST REVISED BY: hyeng	LAST REVISED DATE: 1/16/2018	TITLE: LAYOUT, 17'-6" X 30'-2", OASIS, 8' DEEP, HS306N, LIGHT, 3-INLET, 2- 1084, 600 SERIES	
	HEAT TREAT: NA		MATERIAL: Water	PART NUMBER: 00017240		
FINISH: NA					SHEET: 2 OF 4	
TEXTURE: NA						



ENGINEERING DRAWING NUMBER: 00017240	WEIGHT: 239621.7 lbs	UNLESS OTHERWISE SPECIFIED DIMENSIONS ARE IN INCHES TOLERANCES DECIMALS: X ± .1 XX ± .01 XXX ± .001 XXXX ± .0005 ANGULAR: X ± 0.5 THIRD ANGLE PROJECTION 	DESIGNED BY: THARKENRIDER	CREATION DATE: 1/3/2014	HYDRA POOLS TITLE: LAYOUT, 17'-6" X 30'-2", OASIS, 8' DEEP, HS306N, LIGHT, 3-INLET, 2- 1084, 600 SERIES
	VOLUME: Inch³		DETAILED BY: RSANVICENTE	DETAILED DATE: 1/16/2018	
	COLOR:		LAST REVISED BY: hyeng	LAST REVISED DATE: 1/16/2018	
	HEAT TREAT:		MATERIAL:		
	FINISH:				
TEXTURE:					PART NUMBER: <div style="font-size: 2em; font-weight: bold; text-align: center;">00017240</div>
					SCALE: 1:65 SHEET: 3 OF 4 SIZE: A



ENGINEERING DRAWING NUMBER: 00017240	WEIGHT: 239621.7 lbs	UNLESS OTHERWISE SPECIFIED DIMENSIONS ARE IN INCHES TOLERANCES DECIMALS: X ± .1 XX ± .01 XXX ± .001 XXXX ± .0005 ANGULAR: X ± 0.5 THIRD ANGLE PROJECTION 	DESIGNED BY: THARKENRIDER	CREATION DATE: 1/3/2014	HYDRA POOLS TITLE: LAYOUT, 17'-6" X 30'-2", OASIS, 8' DEEP, HS306N, LIGHT, 3-INLET, 2- 1084, 600 SERIES	
	VOLUME: Inch ³		DETAILED BY: RSANVICENTE	DETAILED DATE: 1/16/2018		
	COLOR:		LAST REVISED BY: hyeng	LAST REVISED DATE: 1/16/2018		
	HEAT TREAT:		MATERIAL:			
	FINISH:		PART NUMBER: 00017240		SCALE: 1:60	A
	TEXTURE:				SHEET: 4 OF 4	