

**NOTES:**

- THESE ARE FINISHED DIMENSIONS READY FOR THE LINER.
- DIMENSIONS ARE FROM INSIDE POOL PANELS.
- ROPE AND FLOAT ASSEMBLY SHOULD BE INSTALLED IN ACCORDANCE WITH CURRENT ANSI/ASPS/ICC REGULATIONS
- HYDRA LINER TRACK FOR STEPS IS INSTALLED WITH THE BARB FACING THE RISER WALL ON THE STEP.

**EXCAVATION NOTES:**

- ROUGH EXCAVATION SHOULD BE 2" DEEPER IN EACH INSTANCE.
- SOIL TO HAVE MINIMUM BEARING CAPACITY OF 1500 PSF.
- LOCATE TOP OF POOL AT LEAST 6" ABOVE THE SURROUNDING LAND ELEVATION.
- SEE "OVER DIG DETAIL" FOR EXCAVATION AROUND POOL.
- FILL VOIDS UNDER BASE OF PANELS AND TAMP WELL.
- BACK FILL WITH NON-EXPANSIVE MATERIAL.
- FOLLOW ALL CURRENT ANSI / APSP / ICC GUIDELINES FOR RESIDENTIAL POOLS

**IMPORTANT NOTES:**

THIS DOCUMENT IS FOR ILLUSTRATIVE PURPOSES ONLY. THE DEALER OR CONTRACTOR WHO SELLS OR INSTALLS YOUR POOL IS AN INDEPENDENT CONTRACTOR AND IS NOT AN AGENT OF THE MANUFACTURER. THE CONSTRUCTION METHODS ILLUSTRATED HERE ARE SUGGESTIONS AND APPLY ONLY TO NORMAL GROUND CONDITIONS. THERE MAY BE ADDITIONAL PRECAUTIONS AND/OR METHODS OF CONSTRUCTION. PROPER INSTALLATION IS THE RESPONSIBILITY OF THE DEALER/BUILDER/CONTRACTOR.

ITEM	FILE NAME	DESCRIPTION	CUSTOMER DRAWING #	VENDOR PART #	QTY.
1	BOLT, PACK	BOLT, FLANGE, 3/8-16 X 1", PACK (50)	HPS1916	HPS1916	6
2	SBRACE	BRACE, FOLD OVER WITH TURNBUCKLE, STEEL, HPSFOB	HPSFOB	HPSFOB	25
3	PANEL, ANGLE	PANEL, ANGLE, 6" X 6" X 149°, 600 SERIES	HPSD6X6149	00001388	1
4	PANEL, ANGLE	PANEL, ANGLE, 6" X 6" X 210°, 600 SERIES	HPSDLLR	00001675	1
5	PANEL, STRAIGHT	PANEL, 0'-6" LONG, 600 SERIES	HPSD6P	00001405	1
6	PANEL, STRAIGHT	PANEL, 1' LONG, 600 SERIES	HPSD101P	00000621	1
7	PANEL, STRAIGHT	PANEL, 4'-6" LONG, 600 SERIES	HPSD1046P	00000644	1
8	PANEL, STRAIGHT	PANEL, 5' LONG, 600 SERIES	HPSD105P	00000674	4
9	PANEL, STRAIGHT	PANEL, 6' LONG, INLET, 600 SERIES	HPSD106I	00000221	1
10	PANEL, STRAIGHT	PANEL, 6'-9 1/4" LONG, 600 SERIES	HPS69250	00001627	2
11	PANEL, STRAIGHT	PANEL, 7' LONG, 600 SERIES	HPSD107P	00000680	1
12	PANEL, STRAIGHT	PANEL, 8' LONG, 1084, 600 SERIES	HPSD10884	00002006	2
13	PANEL, STRAIGHT	PANEL, 8' LONG, 600 SERIES	HPSD108P	00000687	3
14	PANEL, STRAIGHT	PANEL, 8' LONG, INLET, 600 SERIES	HPSD108I	00000699	2
15	PANEL, STRAIGHT	PANEL, 8' LONG, LIGHT, 600 SERIES	HPSD108L	00000701	1
16	HS110N	STEP, 8", TWIN SEAT, 4 TREAD	HS110N	HS110N	1
17	PANEL, WEDGE	WEDGE, 2 1/2" X 2 1/2" X 90°-600-ASSEMBLY	HPSD6CA	00005721	4

**ENGINEERING DRAWING NUMBER:**  
00017095

**WEIGHT:** 335888.9 lbs  
**VOLUME:** Inch<sup>3</sup>  
**COLOR:**  
**HEAT TREAT:**  
**FINISH:**  
**TEXTURE:**

**UNLESS OTHERWISE SPECIFIED**  
DIMENSIONS ARE IN INCHES  
TOLERANCES  
DECIMALS: X ± .1  
          XX ± .01  
          XXX ± .001  
          XXXX ± .0005

ANGULAR: X ± 0.5  
THIRD ANGLE PROJECTION

DESIGNED BY: BUMPHREY  
CREATION DATE: 8/15/2013

DETAILED BY: BUMPHREY  
DETAILED DATE: 1/4/2018

LAST REVISED BY: bumphrey  
LAST REVISED DATE: 1/4/2018

MATERIAL:

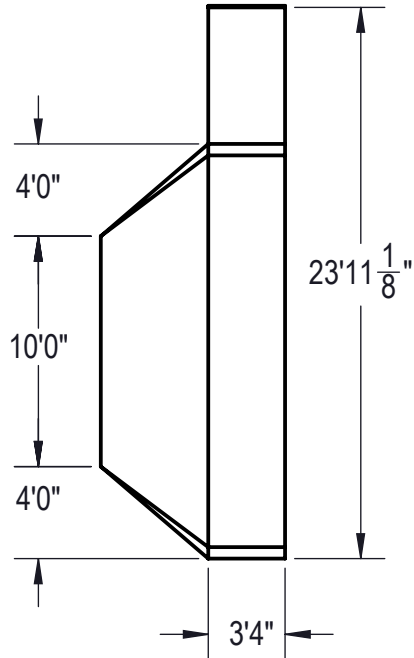
**HYDRA POOLS**

TITLE: LAYOUT, 18' X 43'-7", LAZY, L, RIGHT, 6" RADIUS, 8" DEEP, HS110N, LIGHT, 2-1084, 3-INLET, 600 SERIES

PART NUMBER: 00017095

SCALE: 1:192  
SHEET: 1 OF 4

SIZE: A



**Area: 742.77ft ^2**  
**Perimeter: 117.70ft**  
**Volume = 26270 US gallons**

**NOTES:**

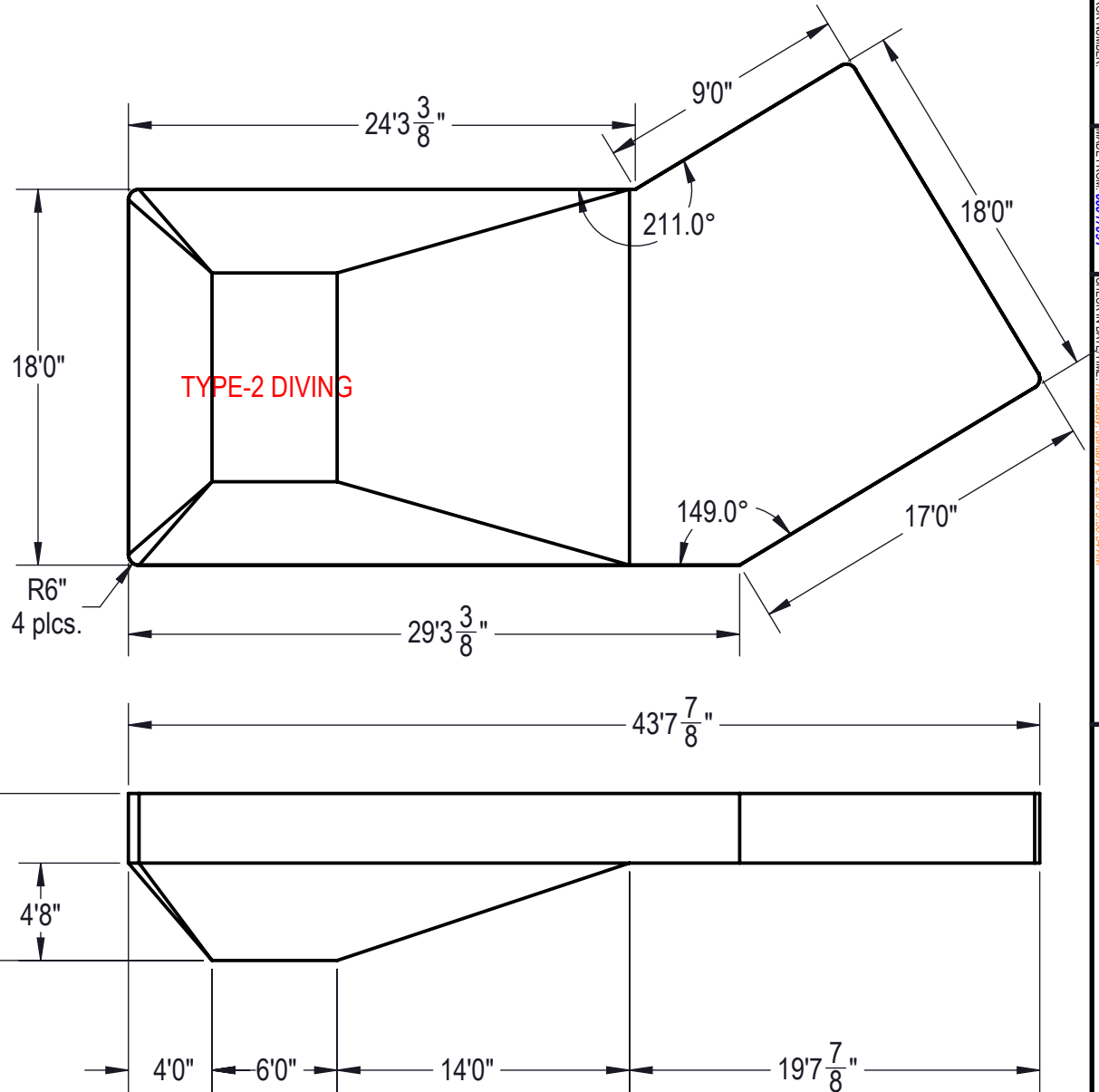
1. THESE ARE FINISHED DIMENSIONS READY FOR THE LINER.
2. DIMENSIONS ARE FROM INSIDE POOL PANELS.
3. ROPE AND FLOAT ASSEMBLY SHOULD BE INSTALLED IN ACCORDANCE WITH CURRENT ANSI/ASPS/ICC REGULATIONS
4. HYDRA LINER TRACK FOR STEPS IS INSTALLED WITH THE BARB FACING THE RISER WALL ON THE STEP.

**EXCAVATION NOTES:**

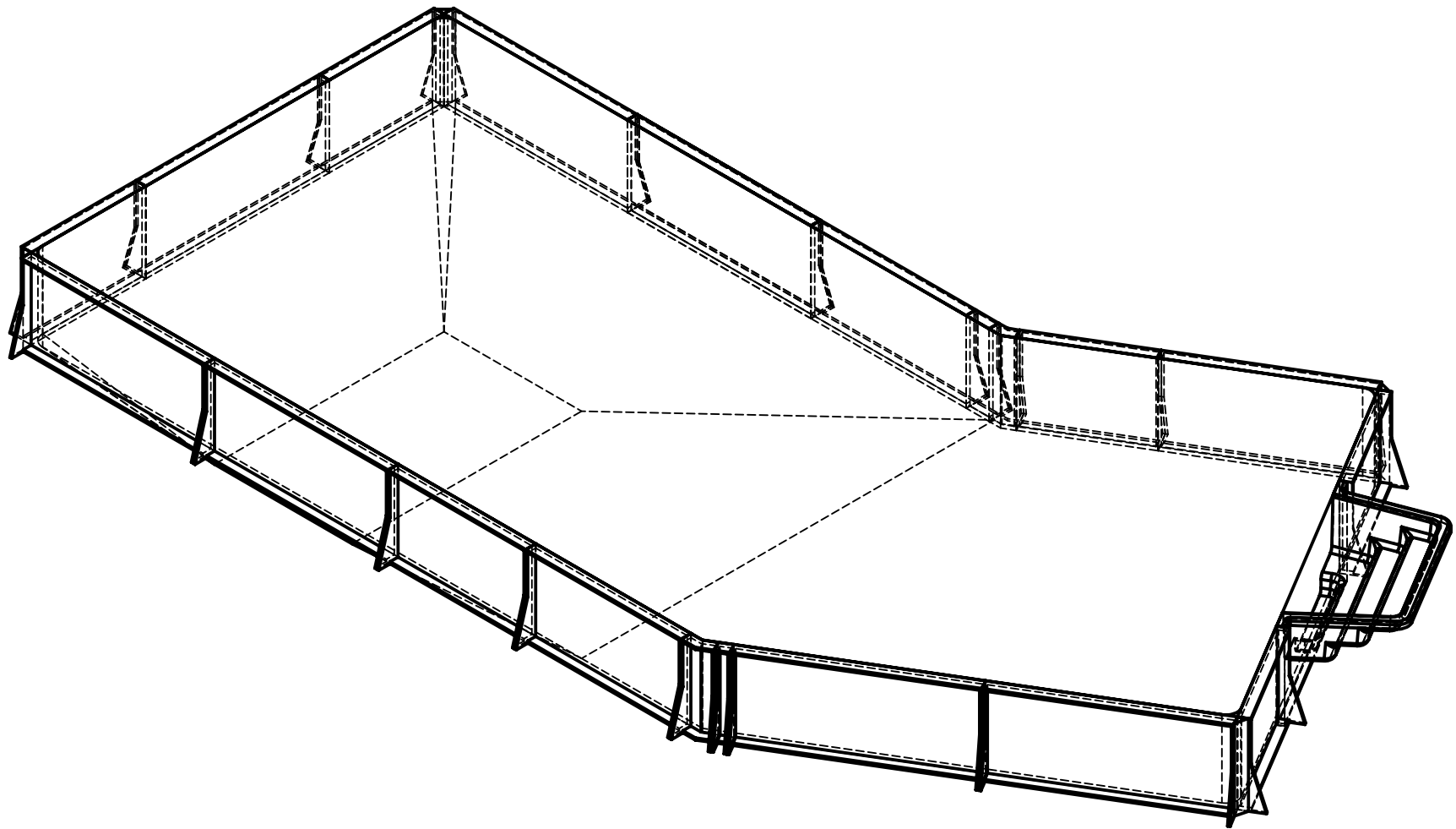
5. ROUGH EXCAVATION SHOULD BE 2" DEEPER IN EACH INSTANCE.
6. SOIL TO HAVE MINIMUM BEARING CAPACITY OF 1500 PSF.
7. LOCATE TOP OF POOL AT LEAST 6" ABOVE THE SURROUNDING LAND ELEVATION.
8. SEE "OVER DIG DETAIL" FOR EXCAVATION AROUND POOL.
9. FILL VOIDS UNDER BASE OF PANELS AND TAMP WELL.
10. BACK FILL WITH NON-EXPANSIVE MATERIAL.
11. FOLLOW ALL CURRENT ANSI / APSP / ICC GUIDELINES FOR RESIDENTIAL POOLS


**IMPORTANT NOTES:**

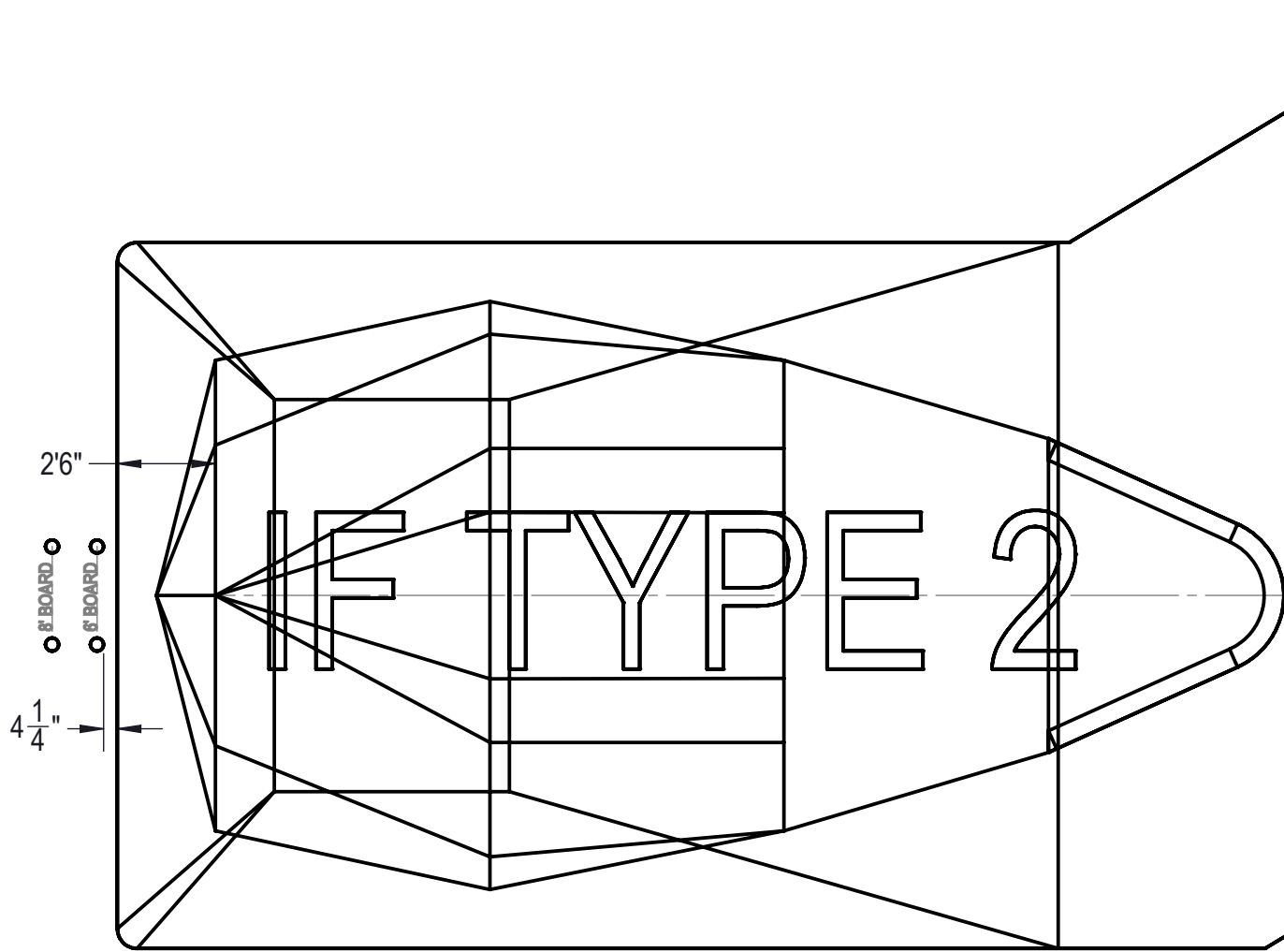
THIS DOCUMENT IS FOR ILLUSTRATIVE PURPOSES ONLY. THE DEALER OR CONTRACTOR WHO SELLS OR INSTALLS YOUR POOL IS AN INDEPENDENT CONTRACTOR AND IS NOT AN AGENT OF THE MANUFACTURER. THE CONSTRUCTION METHODS ILLUSTRATED HERE ARE SUGGESTIONS AND APPLY ONLY TO NORMAL GROUND CONDITIONS. THERE MAY BE ADDITIONAL PRECAUTIONS AND/OR METHODS OF CONSTRUCTION. PROPER INSTALLATION IS THE RESPONSIBILITY OF THE DEALER/BUILDER/CONTRACTOR.



ENGINEERING DRAWING NUMBER: <b>00017095</b>	WEIGHT: 219229.611 lbs	<b>UNLESS OTHERWISE SPECIFIED</b> DIMENSIONS ARE IN INCHES TOLERANCES DECIMALS: X ± .1 XX ± .01 XXX ± .001 XXXX ± .0005  ANGULAR: X ± 0.5 THIRD ANGLE PROJECTION	DESIGNED BY: <b>BUMPHREY</b>	CREATION DATE: <b>8/15/2013</b>	<b>HYDRA POOLS</b>	
	VOLUME: 6068256.463 Inch <sup>3</sup>		DETAILED BY: <b>BUMPHREY</b>	DETAILED DATE: <b>1/4/2018</b>		
	COLOR: NA		LAST REVISED BY: <b>bumphrey</b>	LAST REVISED DATE: <b>1/4/2018</b>	TITLE: LAYOUT, 18' X 43'-7", LAZY, L, RIGHT, 6" RADIUS, 8' DEEP, HS110N, LIGHT, 2-1084, 3-INLET, 600 SERIES	
	HEAT TREAT: NA		MATERIAL: Water	PART NUMBER: <b>00017095</b>		
FINISH: NA					SHEET: 2 OF 4	
TEXTURE: NA						



ENGINEERING DRAWING NUMBER: <b>00017095</b>	WEIGHT: 335888.9 lbs	<b>UNLESS OTHERWISE SPECIFIED</b> DIMENSIONS ARE IN INCHES TOLERANCES DECIMALS: X ± .1 XX ± .01 XXX ± .001 XXXX ± .0005  ANGULAR: X ± 0.5 THIRD ANGLE PROJECTION 	DESIGNED BY: BUMPHREY	CREATION DATE: 8/15/2013	<b>HYDRA POOLS</b>	
	VOLUME: Inch³		DETAILED BY: BUMPHREY	DETAILED DATE: 1/4/2018		
	COLOR:		LAST REVISED BY: bumphrey	LAST REVISED DATE: 1/4/2018		
	HEAT TREAT:		MATERIAL:		TITLE: LAYOUT, 18' X 43'-7", LAZY, L, RIGHT, 6" RADIUS, 8' DEEP, HS110N, LIGHT, 2-1084, 3-INLET, 600 SERIES	
	FINISH:					
	TEXTURE:					
		PART NUMBER:		SCALE: 1:192	SIZE: A	
		<b>00017095</b>		SHEET: 3 OF 4		



ENGINEERING DRAWING NUMBER: <b>00017095</b>	WEIGHT: 335888.9 lbs	<b>UNLESS OTHERWISE SPECIFIED</b> DIMENSIONS ARE IN INCHES TOLERANCES DECIMALS: X ± .1 XX ± .01 XXX ± .001 XXXX ± .0005  ANGULAR: X ± 0.5 THIRD ANGLE PROJECTION 	DESIGNED BY: BUMPHREY	CREATION DATE: 8/15/2013	HYDRA POOLS  TITLE: LAYOUT, 18' X 43'-7", LAZY, L, RIGHT, 6" RADIUS, 8' DEEP, HS110N, LIGHT, 2-1084, 3-INLET, 600 SERIES		
	VOLUME: Inch³		DETAILED BY: BUMPHREY	DETAILED DATE: 1/4/2018			
	COLOR:		LAST REVISED BY: bumphrey	LAST REVISED DATE: 1/4/2018			
	HEAT TREAT:		MATERIAL:		PART NUMBER:	SCALE: 1:192	SIZE: <b>A</b>
	FINISH:				00017095	SHEET: 4 OF 4	
	TEXTURE:						