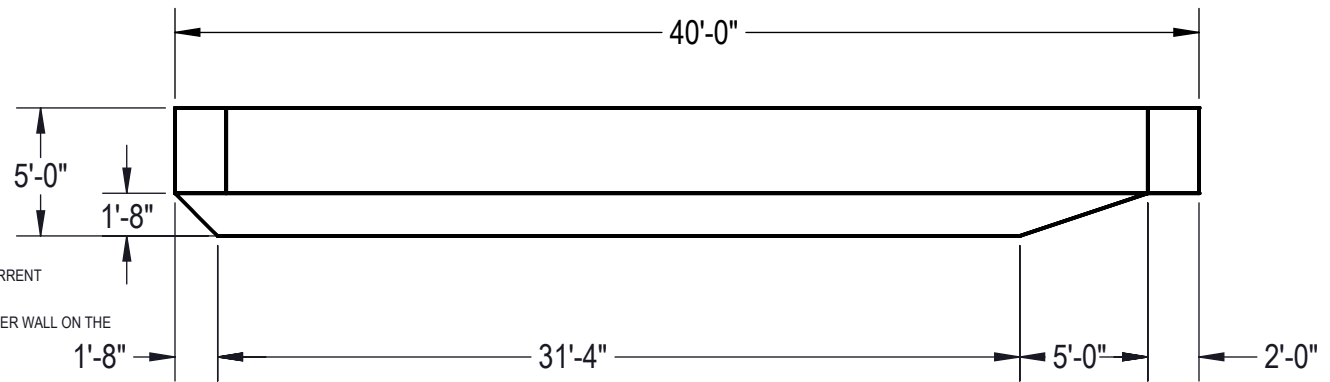


Area: 796.566ft ^2
Perimeter: 116.566ft
Volume = 27801 US gallons



NOTES:

1. THESE ARE FINISHED DIMENSIONS READY FOR THE LINER.
2. DIMENSIONS ARE FROM INSIDE POOL PANELS.
3. ROPE AND FLOAT ASSEMBLY SHOULD BE INSTALLED IN ACCORDANCE WITH CURRENT ANSI/ASPS/ICC REGULATIONS
4. HYDRA LINER TRACK FOR STEPS IS INSTALLED WITH THE BARB FACING THE RISER WALL ON THE STEP.

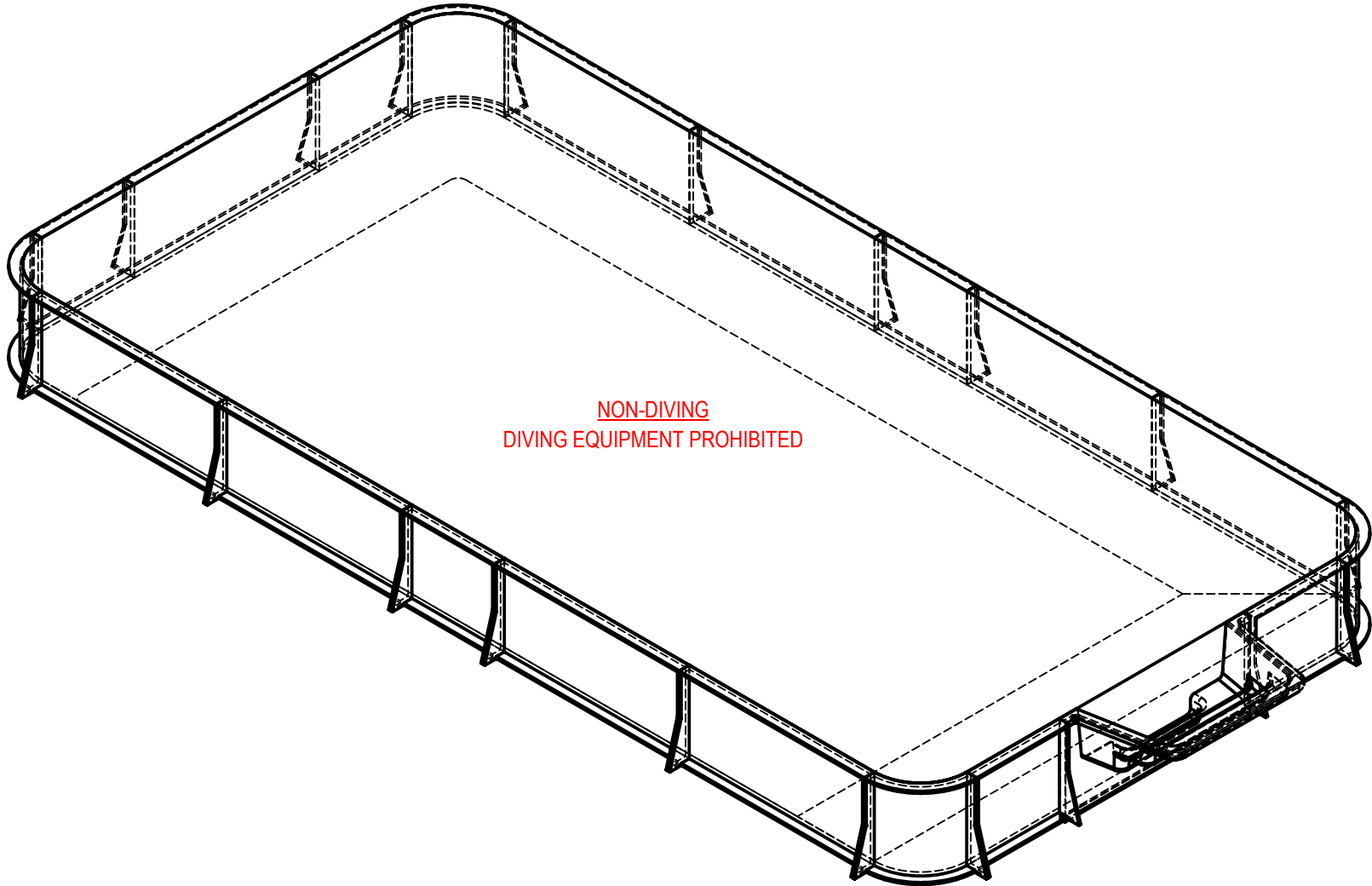
EXCAVATION NOTES:

5. ROUGH EXCAVATION SHOULD BE 2" DEEPER IN EACH INSTANCE.
6. SOIL TO HAVE MINIMUM BEARING CAPACITY OF 1500 PSF.
7. LOCATE TOP OF POOL AT LEAST 6" ABOVE THE SURROUNDING LAND ELEVATION.
8. SEE "OVER DIG DETAIL" FOR EXCAVATION AROUND POOL.
9. FILL VOIDS UNDER BASE OF PANELS AND TAMP WELL.
10. BACK FILL WITH NON-EXPANSIVE MATERIAL.
11. FOLLOW ALL CURRENT ANSI / APSP / ICC GUIDELINES FOR RESIDENTIAL POOLS


IMPORTANT NOTES:

THIS DOCUMENT IS FOR ILLUSTRATIVE PURPOSES ONLY. THE DEALER OR CONTRACTOR WHO SELLS OR INSTALLS YOUR POOL IS AN INDEPENDENT CONTRACTOR AND IS NOT AN AGENT OF THE MANUFACTURER. THE CONSTRUCTION METHODS ILLUSTRATED HERE ARE SUGGESTIONS AND APPLY ONLY TO NORMAL GROUND CONDITIONS. THERE MAY BE ADDITIONAL PRECAUTIONS AND/OR METHODS OF CONSTRUCTION. PROPER INSTALLATION IS THE RESPONSIBILITY OF THE DEALER/BUILDER/CONTRACTOR.

ENGINEERING DRAWING NUMBER: 00016992	WEIGHT:	UNLESS OTHERWISE SPECIFIED DIMENSIONS ARE IN INCHES TOLERANCES DECIMALS: X ± .1 XX ± .01 XXX ± .001 XXXX ± .0005 ANGULAR: X ± 0.5 THIRD ANGLE PROJECTION 	DESIGNED BY:	CREATION DATE:	HYDRA POOLS	
	VOLUME:		BUMPHREY	4/16/2013		
	Inch ³			DETAILED BY:	DETAILED DATE:	
	COLOR:			BUMPHREY	12/19/2017	
	HEAT TREAT:			LAST REVISED BY:	LAST REVISED DATE:	
NA		bumphrey	12/19/2017	TITLE: LAYOUT, 20' X 40', RECTANGLE, 2' RADIUS, 5' DEEP, FLAT BOTTOM, LIGHT, HS110N, 2-1084, 3-INLET, 700 SERIES		
FINISH:		MATERIAL:				
TEXTURE:				PART NUMBER:		
				00016992		
				SCALE:	SIZE:	
				1:128	A	
				SHEET:		
				2 OF 3		



**NON-DIVING
DIVING EQUIPMENT PROHIBITED**

ENGINEERING DRAWING NUMBER: 00016992	WEIGHT:	UNLESS OTHERWISE SPECIFIED DIMENSIONS ARE IN INCHES TOLERANCES DECIMALS: X ± .1 XX ± .01 XXX ± .001 XXXX ± .0005 ANGULAR: X ± 0.5 THIRD ANGLE PROJECTION 	DESIGNED BY:	CREATION DATE:	HYDRA POOLS	
	lbs		BUMPHREY	4/18/2013		
	VOLUME:		Detailed BY:	DETAILED DATE:		
	Inch ³		BUMPHREY	12/19/2017	TITLE: LAYOUT, 20' X 40', RECTANGLE, 2' RADIUS, 5' DEEP, FLAT BOTTOM, LIGHT, HS110N, 2-1084, 3-INLET, 700 SERIES	
	COLOR:		LAST REVISED BY:	LAST REVISED DATE:	PART NUMBER: 00016992	
	NA		bumphrey	12/19/2017		SCALE: 1:60
	HEAT TREAT:		MATERIAL:			SHEET: 3 OF 3
NA			SIZE: A			
FINISH:						
TEXTURE:						
NA						