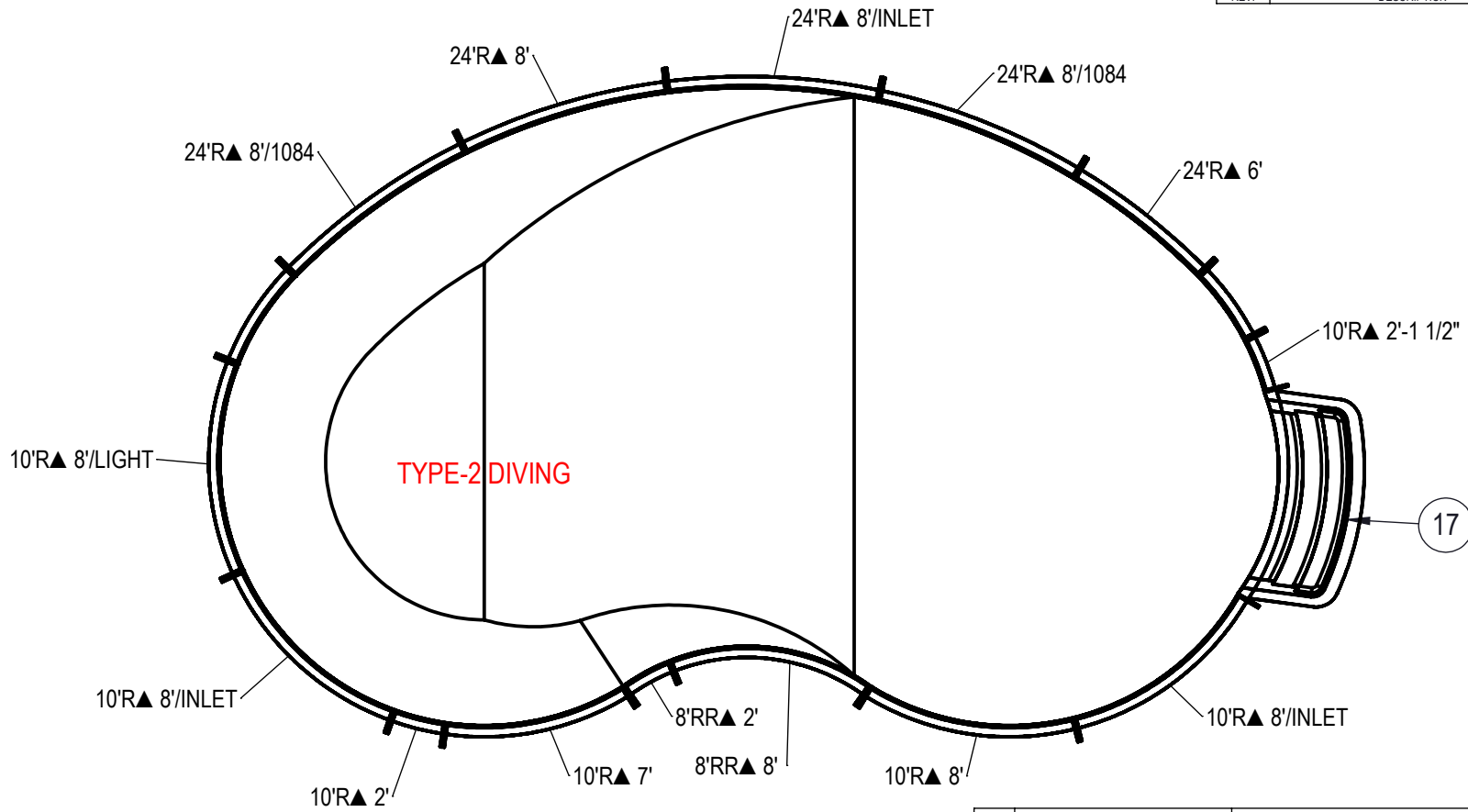


REVISION HISTORY				
REV.	DESCRIPTION	DATE	ECO	BY



NOTES:

- THESE ARE FINISHED DIMENSIONS READY FOR THE LINER.
- DIMENSIONS ARE FROM INSIDE POOL PANELS.
- ROPE AND FLOAT ASSEMBLY SHOULD BE INSTALLED IN ACCORDANCE WITH CURRENT ANSI/ASPS/ICC REGULATIONS
- HYDRA LINER TRACK FOR STEPS IS INSTALLED WITH THE BARB FACING THE RISER WALL ON THE STEP.

EXCAVATION NOTES:

- ROUGH EXCAVATION SHOULD BE 2" DEEPER IN EACH INSTANCE.
- SOIL TO HAVE MINIMUM BEARING CAPACITY OF 1500 PSF.
- LOCATE TOP OF POOL AT LEAST 6" ABOVE THE SURROUNDING LAND ELEVATION.
- SEE "OVER DIG DETAIL" FOR EXCAVATION AROUND POOL.
- FILL VOIDS UNDER BASE OF PANELS AND TAMP WELL.
- BACK FILL WITH NON-EXPANSIVE MATERIAL.
- FOLLOW ALL CURRENT ANSI / APSP / ICC GUIDELINES FOR RESIDENTIAL POOLS

IMPORTANT NOTES:

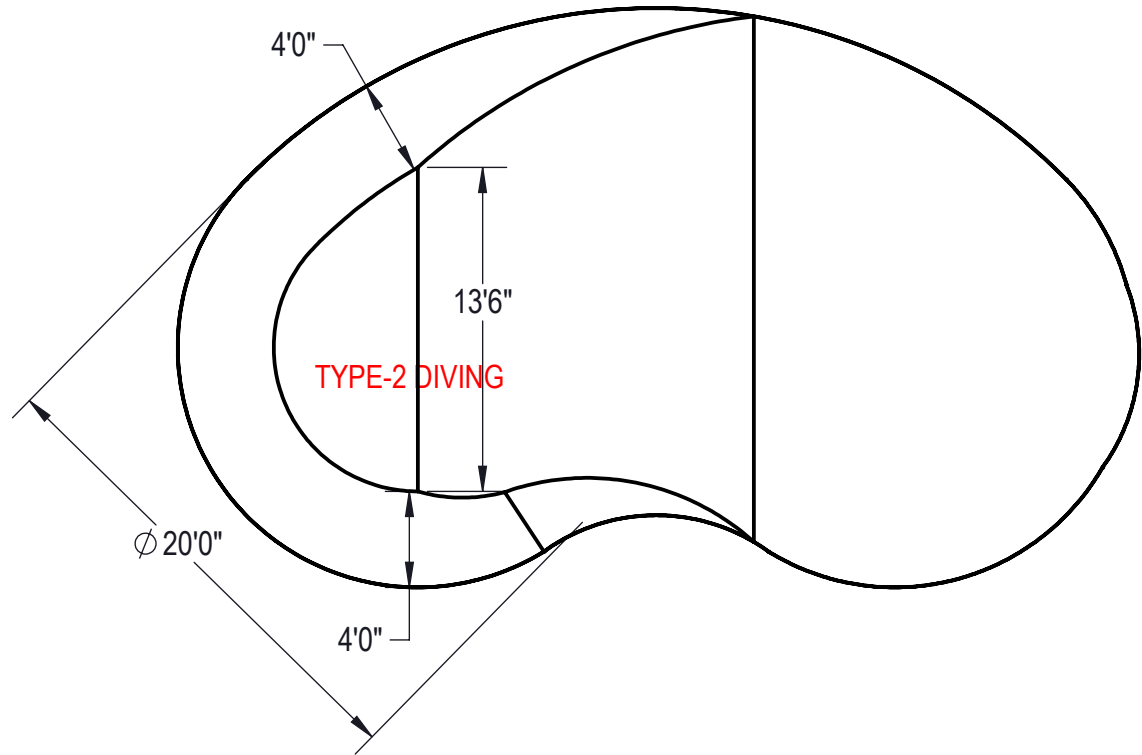
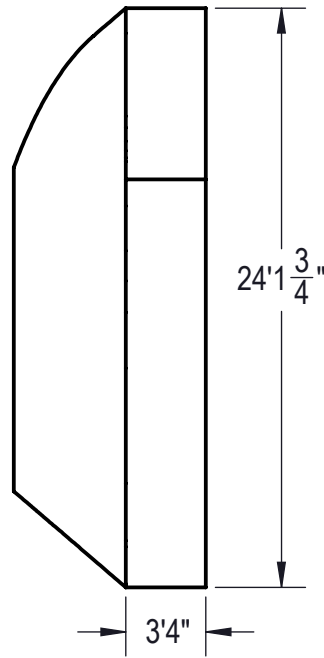
THIS DOCUMENT IS FOR ILLUSTRATIVE PURPOSES ONLY. THE DEALER OR CONTRACTOR WHO SELLS OR INSTALLS YOUR POOL IS AN INDEPENDENT CONTRACTOR AND IS NOT AN AGENT OF THE MANUFACTURER. THE CONSTRUCTION METHODS ILLUSTRATED HERE ARE SUGGESTIONS AND APPLY ONLY TO NORMAL GROUND CONDITIONS. THERE MAY BE ADDITIONAL PRECAUTIONS AND/OR METHODS OF CONSTRUCTION. PROPER INSTALLATION IS THE RESPONSIBILITY OF THE DEALER/BUILDER/CONTRACTOR.

ITEM	FILE NAME	DESCRIPTION	CUSTOMER DRAWING #	VENDOR PART #	QTY.
1	BOLT, PACK	BOLT, FLANGE, 3/8-16 X 1", PACK (50)	HPS1916	HPS1916	4
2	SBRACE	BRACE, FOLD OVER WITH TURNBUCKLE, STEEL, HPSFOB	HPSFOB	HPSFOB	17
3	PANEL, RADIUS	PANEL, 10' RADIUS, 2' LONG, 600 SERIES	HPS10R2	00002055	1
4	PANEL, RADIUS	PANEL, 10' RADIUS, 2'-1 1/2" LONG, 600 SERIES	HPSCR3	00006559	1
5	PANEL, RADIUS	PANEL, 10' RADIUS, 3' LONG, 600 SERIES	HPS10R3	00002098	1
6	PANEL, RADIUS	PANEL, 10' RADIUS, 4' LONG, 600 SERIES	HPSD10R4	00002075	1
7	PANEL, RADIUS	PANEL, 10' RADIUS, 7' LONG, 600 SERIES	HPS10R7	00002031	1
8	PANEL, RADIUS	PANEL, 10' RADIUS, 8' LONG, 600 SERIES	HPSD10R8	00000999	1
9	PANEL, RADIUS	PANEL, 10' RADIUS, 8' LONG, INLET, 600 SERIES	HPS10R8I	00002082	2
10	PANEL, RADIUS	PANEL, 10' RADIUS, 8' LONG, LIGHT, 600 SERIES	HPSD10R8L	00001014	1
11	PANEL, RADIUS	PANEL, 24' RADIUS, 6' LONG, 600 SERIES	HPSD24R6	00002546	1
12	PANEL, RADIUS	PANEL, 24' RADIUS, 8' LONG, 1084, 600 SERIES	HPS24R884	00000252	2
13	PANEL, RADIUS	PANEL, 24' RADIUS, 8' LONG, 600 SERIES	HPSD24R8	00000254	1
14	PANEL, RADIUS	PANEL, 24' RADIUS, 8' LONG, INLET, 600 SERIES	HPSCR8	00005378	1
15	PANEL, RR	PANEL, 8' REVERSE RADIUS, 2' LONG, 600 SERIES	HPSD8RR2	00001470	1
16	PANEL, RR	PANEL, 8' REVERSE RADIUS, 8' LONG, 600 SERIES	HPSD8RR8	00000347	1
17	HS106N	STEP, 8' RADIUS, 3 TREAD	HS106N	HS106N	1

ENGINEERING DRAWING NUMBER: 00017171	WEIGHT: 340505.9 lbs	UNLESS OTHERWISE SPECIFIED DIMENSIONS ARE IN INCHES TOLERANCES DECIMALS: X ± .1 XX ± .01 XXX ± .001 XXXX ± .0005 ANGULAR: X ± 0.5 THIRD ANGLE PROJECTION
	VOLUME: Inch ³	
	COLOR:	
	HEAT TREAT:	
	FINISH:	
	TEXTURE:	

DESIGNED BY: BUMPHREY	CREATION DATE: 4/26/2013
DETAILED BY: BUMPHREY	DETAILED DATE: 1/9/2018
LAST REVISED BY: bumphrey	LAST REVISED DATE: 1/9/2018
MATERIAL:	

HYDRA POOLS	
TITLE: LAYOUT, 20' X 40'; KIDNEY, LEFT, 8' DEEP, HS106N, LIGHT, 2-1084, 3-INLET, 600 SERIES	
PART NUMBER: 00017171	SCALE: 1:128 SHEET: 1 OF 5 SIZE: A



Area: 762.98ft ^2
Perimeter: 106.12ft
Volume = 27446 US gallons

NOTES:

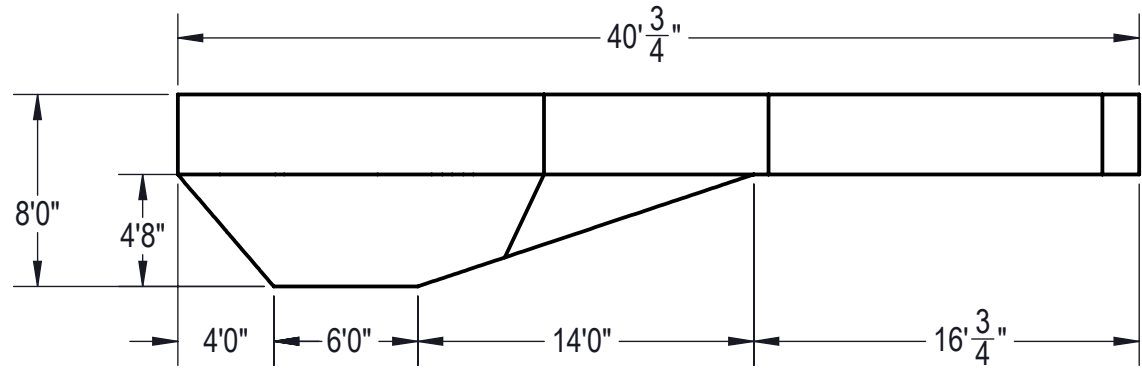
1. THESE ARE FINISHED DIMENSIONS READY FOR THE LINER.
2. DIMENSIONS ARE FROM INSIDE POOL PANELS.
3. ROPE AND FLOAT ASSEMBLY SHOULD BE INSTALLED IN ACCORDANCE WITH CURRENT ANSI/ASPS/ICC REGULATIONS
4. HYDRA LINER TRACK FOR STEPS IS INSTALLED WITH THE BARB FACING THE RISER WALL ON THE STEP.

EXCAVATION NOTES:

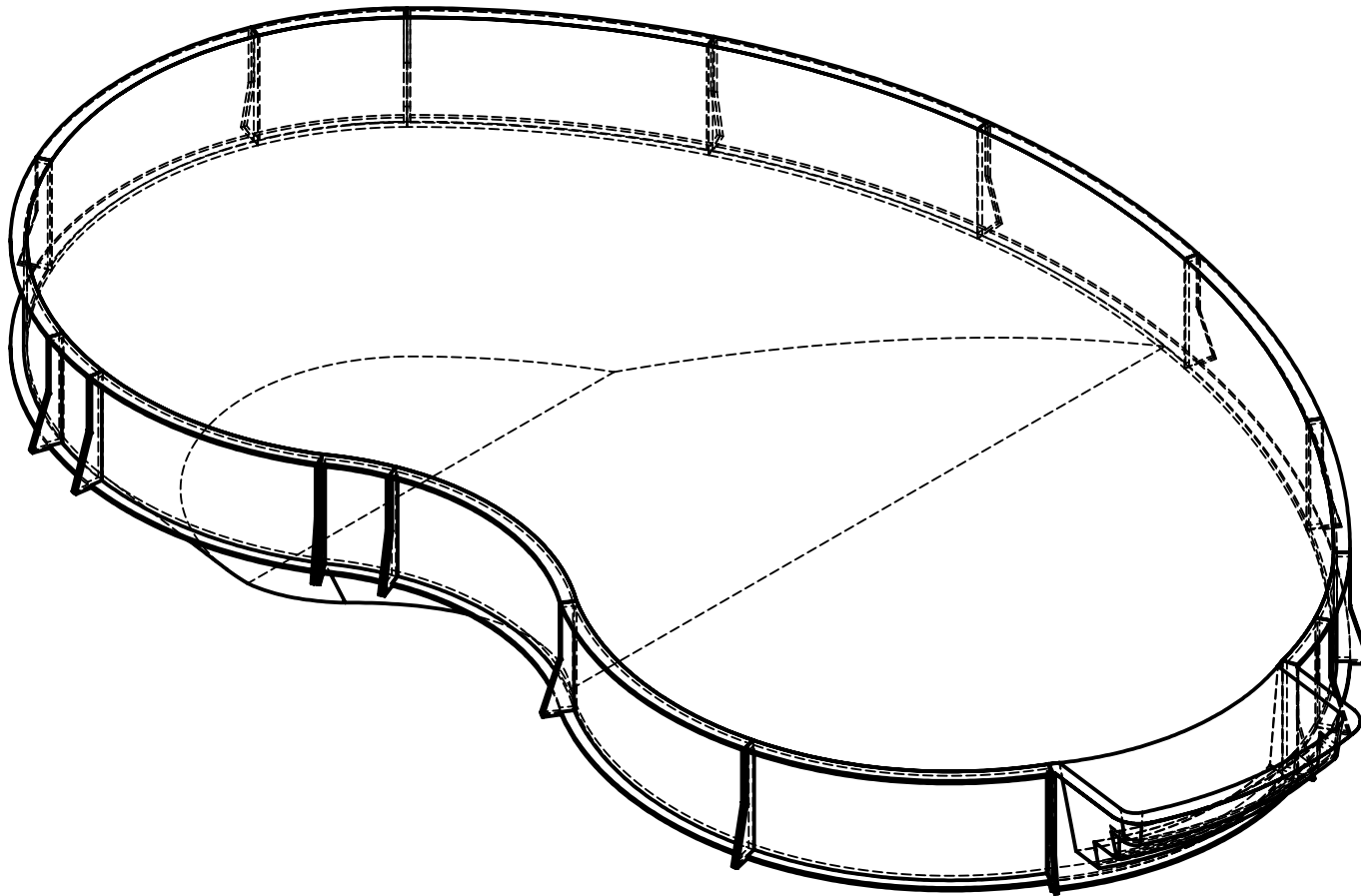
5. ROUGH EXCAVATION SHOULD BE 2" DEEPER IN EACH INSTANCE.
6. SOIL TO HAVE MINIMUM BEARING CAPACITY OF 1500 PSF.
7. LOCATE TOP OF POOL AT LEAST 6" ABOVE THE SURROUNDING LAND ELEVATION.
8. SEE "OVER DIG DETAIL" FOR EXCAVATION AROUND POOL.
9. FILL VOIDS UNDER BASE OF PANELS AND TAMP WELL.
10. BACK FILL WITH NON-EXPANSIVE MATERIAL.
11. FOLLOW ALL CURRENT ANSI / APSP / ICC GUIDELINES FOR RESIDENTIAL POOLS


IMPORTANT NOTES:

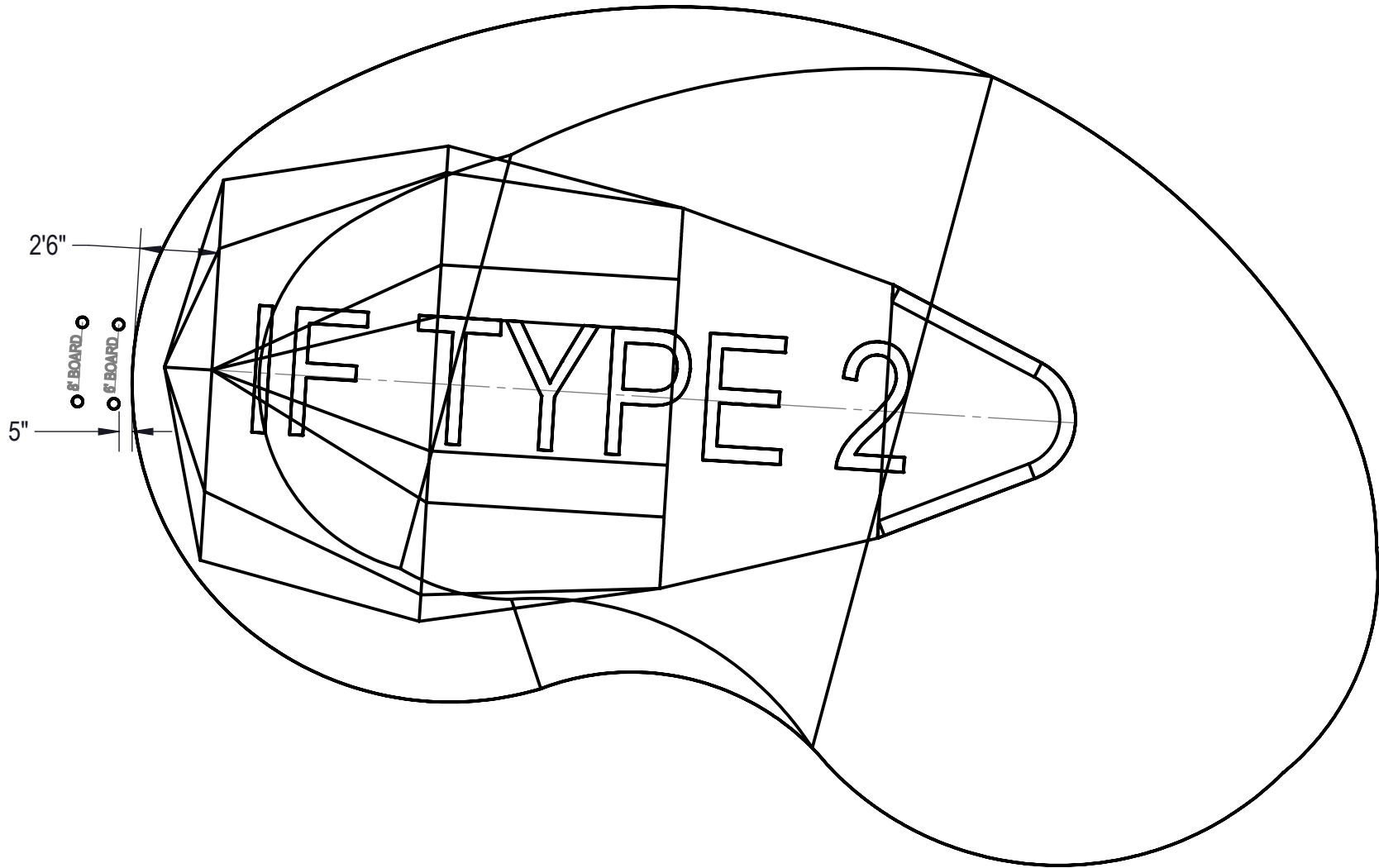
THIS DOCUMENT IS FOR ILLUSTRATIVE PURPOSES ONLY. THE DEALER OR CONTRACTOR WHO SELLS OR INSTALLS YOUR POOL IS AN INDEPENDENT CONTRACTOR AND IS NOT AN AGENT OF THE MANUFACTURER. THE CONSTRUCTION METHODS ILLUSTRATED HERE ARE SUGGESTIONS AND APPLY ONLY TO NORMAL GROUND CONDITIONS. THERE MAY BE ADDITIONAL PRECAUTIONS AND/OR METHODS OF CONSTRUCTION. PROPER INSTALLATION IS THE RESPONSIBILITY OF THE DEALER/BUILDER/CONTRACTOR.




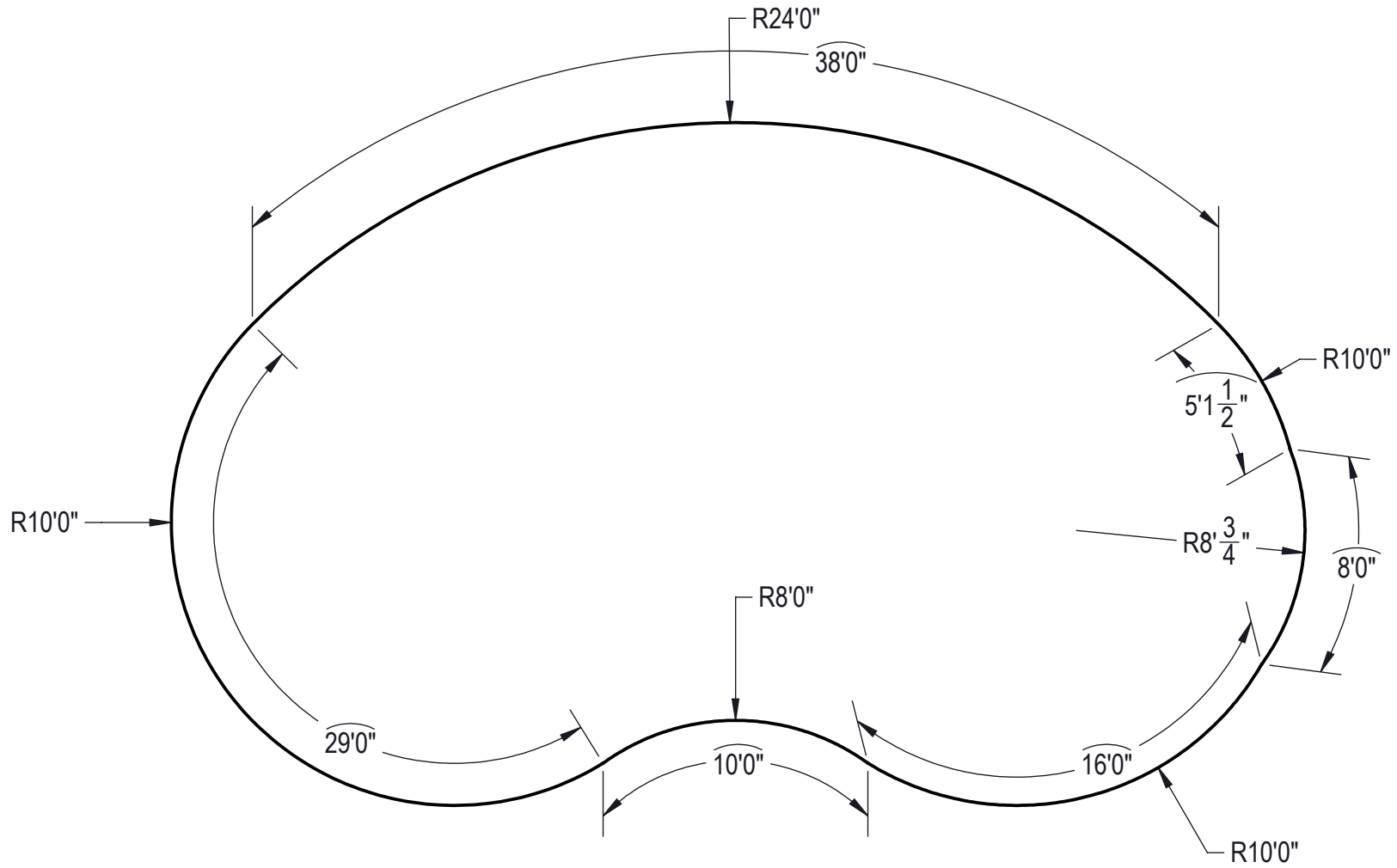
ENGINEERING DRAWING NUMBER: 00017171	WEIGHT: 229044.23 lbs	UNLESS OTHERWISE SPECIFIED DIMENSIONS ARE IN INCHES TOLERANCES DECIMALS: X ± .1 XX ± .01 XXX ± .001 XXXX ± .0005 ANGULAR: X ± 0.5 THIRD ANGLE PROJECTION	DESIGNED BY: BUMPHREY	CREATION DATE: 1/12/2012	HYDRA POOLS	
	VOLUME: 6339924.25 Inch ³		DETAILED BY: BUMPHREY	DETAILED DATE: 1/9/2018		
	COLOR: NA		LAST REVISED BY: bumphrey	LAST REVISED DATE: 1/9/2018	TITLE: LAYOUT, 20' X 40'; KIDNEY, LEFT, 8" DEEP, HS106N, LIGHT, 2-1084, 3-INLET, 600 SERIES	
	HEAT TREAT: NA		MATERIAL: Material <not specified>			
	FINISH: NA		PART NUMBER: 00017171			
TEXTURE: NA			SHEET: 2 OF 5			




ENGINEERING DRAWING NUMBER: 00017171	WEIGHT: 340505.9 lbs	UNLESS OTHERWISE SPECIFIED DIMENSIONS ARE IN INCHES TOLERANCES DECIMALS: X ± .1 XX ± .01 XXX ± .001 XXXX ± .0005 ANGULAR: X ± 0.5 THIRD ANGLE PROJECTION 	DESIGNED BY: BUMPHREY	CREATION DATE: 4/26/2013	HYDRA POOLS	
	VOLUME: Inch ³		DETAILED BY: BUMPHREY	DETAILED DATE: 1/9/2018		
	COLOR:		LAST REVISED BY: bumphrey	LAST REVISED DATE: 1/9/2018		
	HEAT TREAT:		MATERIAL:		TITLE: LAYOUT, 20' X 40'; KIDNEY, LEFT, 8" DEEP, HS106N, LIGHT, 2-1084, 3-INLET, 600 SERIES	
	FINISH:				PART NUMBER:	
	TEXTURE:				00017171	
				SCALE: 1:96	SIZE: A	
				SHEET: 3 OF 5		



ENGINEERING DRAWING NUMBER: 00017171	WEIGHT: 340505.9 lbs	UNLESS OTHERWISE SPECIFIED DIMENSIONS ARE IN INCHES TOLERANCES DECIMALS: X ± .1 XX ± .01 XXX ± .001 XXXX ± .0005 ANGULAR: X ± 0.5 THIRD ANGLE PROJECTION 	DESIGNED BY: BUMPHREY	CREATION DATE: 4/26/2013	HYDRA POOLS TITLE: LAYOUT, 20' X 40'; KIDNEY, LEFT, 8" DEEP, HS106N, LIGHT, 2-1084, 3-INLET, 600 SERIES
	VOLUME: Inch ³		DETAILED BY: BUMPHREY	DETAILED DATE: 1/9/2018	
	COLOR:		LAST REVISED BY: bumphrey	LAST REVISED DATE: 1/9/2018	
	HEAT TREAT:		MATERIAL:		
	FINISH:				
TEXTURE:			PART NUMBER:	SCALE: 1:96	SIZE: A
			00017171		SHEET: 4 OF 5



ENGINEERING DRAWING NUMBER: 00017171	WEIGHT: 229044.23 lbs	UNLESS OTHERWISE SPECIFIED DIMENSIONS ARE IN INCHES TOLERANCES DECIMALS: X ± .1 XX ± .01 XXX ± .001 XXXX ± .0005 ANGULAR: X ± 0.5 THIRD ANGLE PROJECTION 	DESIGNED BY: BUMPHREY	CREATION DATE: 1/12/2012	HYDRA POOLS	
	VOLUME: 6339924.25 Inch ³		DETAILED BY: BUMPHREY	DETAILED DATE: 1/9/2018		
	COLOR: NA		LAST REVISED BY: bumphrey	LAST REVISED DATE: 1/9/2018		
	HEAT TREAT: NA		MATERIAL: Material <not specified>		TITLE: LAYOUT, 20' X 40'; KIDNEY, LEFT, 8" DEEP, HS106N, LIGHT, 2-1084, 3-INLET, 600 SERIES	
	FINISH: NA				PART NUMBER:	
	TEXTURE: NA				00017171	

SCALE: 1:128	SIZE: A
SHEET: 5 OF 5	