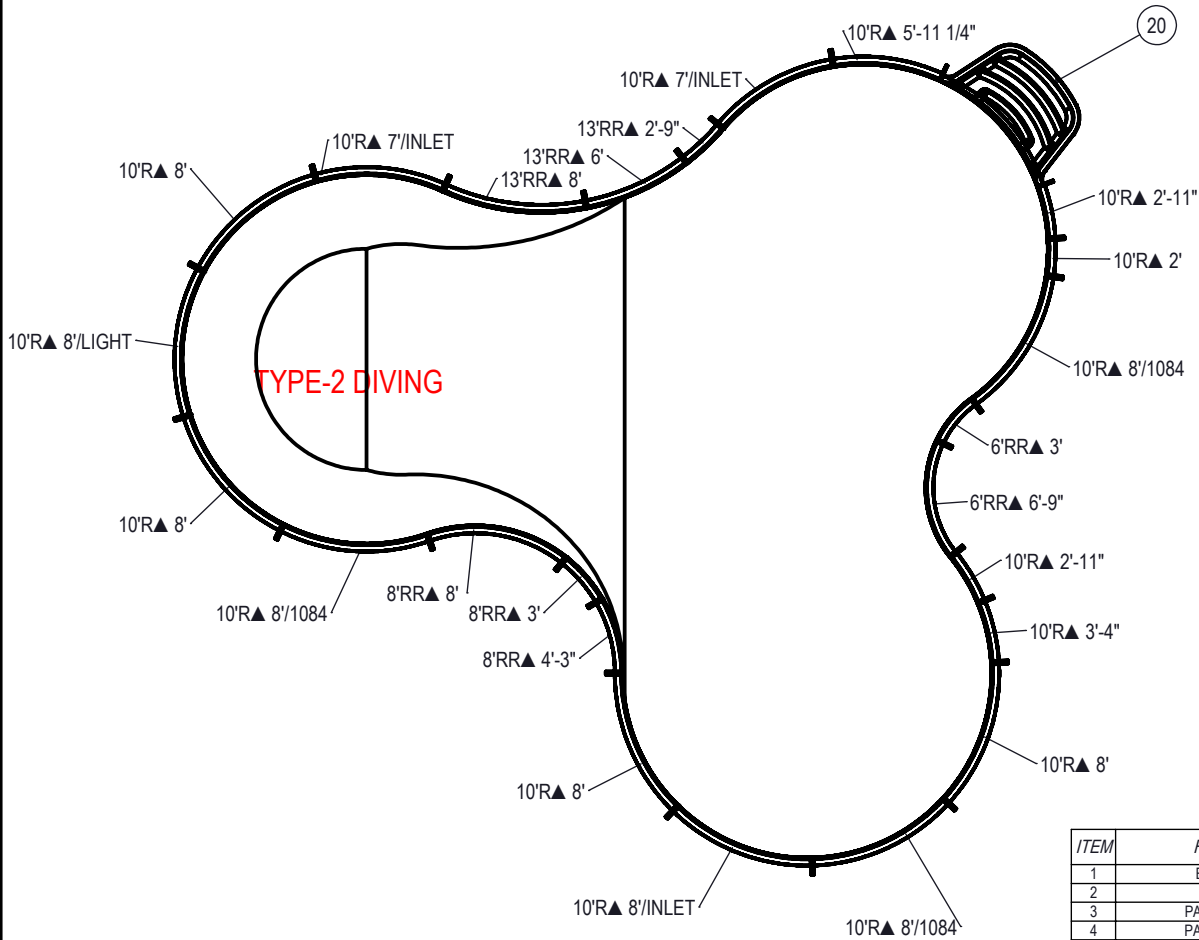


REVISION HISTORY				
REV.	DESCRIPTION	DATE	ECO	BY



**NOTES:**

- THESE ARE FINISHED DIMENSIONS READY FOR THE LINER.
- DIMENSIONS ARE FROM INSIDE POOL PANELS.
- ROPE AND FLOAT ASSEMBLY SHOULD BE INSTALLED IN ACCORDANCE WITH CURRENT ANSI/ASPS/ICC REGULATIONS
- HYDRA LINER TRACK FOR STEPS IS INSTALLED WITH THE BARB FACING THE RISER WALL ON THE STEP.

**EXCAVATION NOTES:**

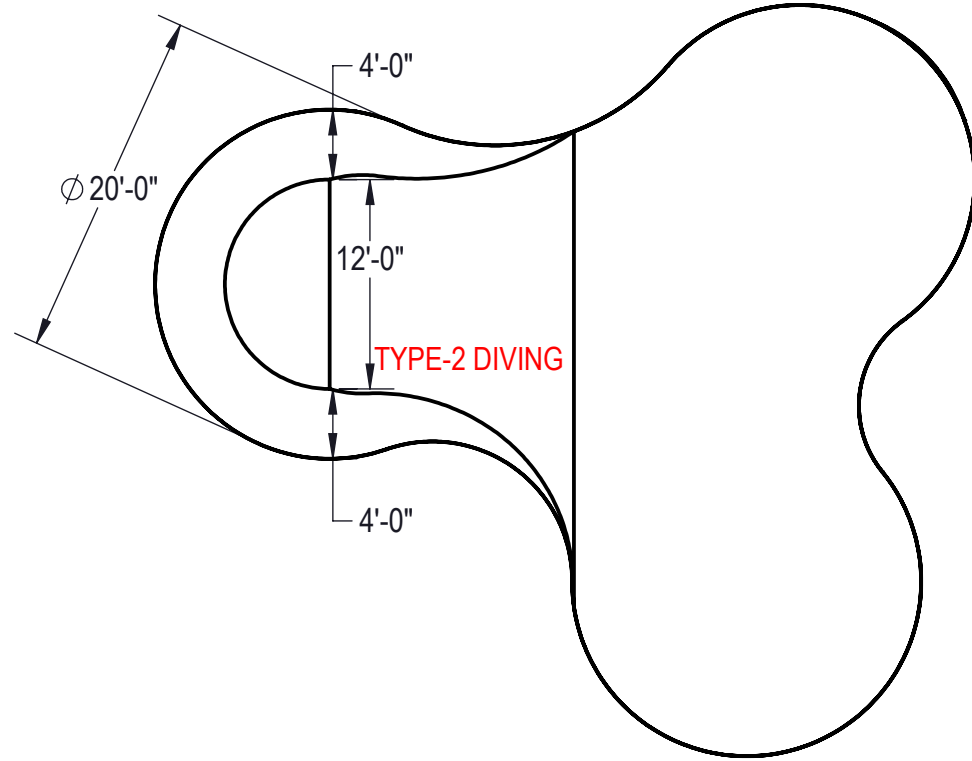
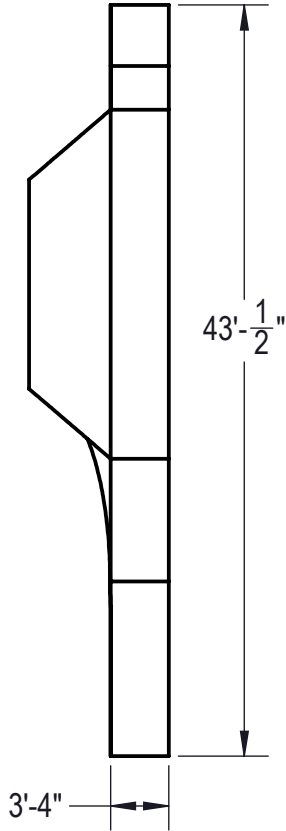
- ROUGH EXCAVATION SHOULD BE 2" DEEPER IN EACH INSTANCE.
- SOIL TO HAVE MINIMUM BEARING CAPACITY OF 1500 PSF.
- LOCATE TOP OF POOL AT LEAST 6" ABOVE THE SURROUNDING LAND ELEVATION.
- SEE "OVER DIG DETAIL" FOR EXCAVATION AROUND POOL.
- FILL VOIDS UNDER BASE OF PANELS AND TAMP WELL.
- BACK FILL WITH NON-EXPANSIVE MATERIAL.
- FOLLOW ALL CURRENT ANSI / APSP / ICC GUIDELINES FOR RESIDENTIAL POOLS

**IMPORTANT NOTES:**

THIS DOCUMENT IS FOR ILLUSTRATIVE PURPOSES ONLY. THE DEALER OR CONTRACTOR WHO SELLS OR INSTALLS YOUR POOL IS AN INDEPENDENT CONTRACTOR AND IS NOT AN AGENT OF THE MANUFACTURER. THE CONSTRUCTION METHODS ILLUSTRATED HERE ARE SUGGESTIONS AND APPLY ONLY TO NORMAL GROUND CONDITIONS. THERE MAY BE ADDITIONAL PRECAUTIONS AND/OR METHODS OF CONSTRUCTION. PROPER INSTALLATION IS THE RESPONSIBILITY OF THE DEALER/BUILDER/CONTRACTOR.

ITEM	FILE NAME	DESCRIPTION	CUSTOMER DRAWING #	VENDOR PART #	QTY.
1	BOLT, PACK	BOLT, FLANGE, 3/8-16 X 1", PACK (50)	HPS1916	HPS1916	6
2	SBRACE	BRACE, FOLD OVER WITH TURNBUCKLE, STEEL, HPSFOB	HPSFOB	HPSFOB	25
3	PANEL, RADIUS	PANEL, 10' RADIUS, 2' LONG, 600 SERIES	HPS10R2	00002055	1
4	PANEL, RADIUS	PANEL, 10' RADIUS, 2'-11" LONG, 600 SERIES	HPSCR3	00009239	2
5	PANEL, RADIUS	PANEL, 10' RADIUS, 3'-4" LONG, 600 SERIES	HPSCR4	00008774	1
6	PANEL, RADIUS	PANEL, 10' RADIUS, 5'-11 1/4" LONG, 600 SERIES	HPSCR6	00001882	1
7	PANEL, RADIUS	PANEL, 10' RADIUS, 7' LONG WITH INLET, 600 SERIES	HPSCR8	00002031	2
8	PANEL, RADIUS	PANEL, 10' RADIUS, 8' LONG 1084, 600 SERIES	HPSD10R884	00000241	3
9	PANEL, RADIUS	PANEL, 10' RADIUS, 8' LONG, 600 SERIES	HPSD10R8	00000999	4
10	PANEL, RADIUS	PANEL, 10' RADIUS, 8' LONG, INLET, 600 SERIES	HPS10R8I	00002082	1
11	PANEL, RADIUS	PANEL, 10' RADIUS, 8' LONG, LIGHT, 600 SERIES	HPSD10R8L	00001014	1
12	PANEL, RR	PANEL, 13' REVERSE RADIUS, 2'-9" LONG, 600 SERIES	HPSCRR3	00009238	1
13	PANEL, RR	PANEL, 13' REVERSE RADIUS, 6' LONG, 600 SERIES	HPSD13RR6	00000360	1
14	PANEL, RR	PANEL, 13' REVERSE RADIUS, 8' LONG, 600 SERIES	HPSD13RR8	00001238	1
15	PANEL, RR	PANEL, 6' REVERSE RADIUS, 3' LONG, 600 SERIES	HPSD6RR3	00005679	1
16	PANEL, RR	PANEL, 6' REVERSE RADIUS, 6'-9" LONG, 600 SERIES	HPSCRR7	00009725	1
17	PANEL, RR	PANEL, 8' REVERSE RADIUS, 3' LONG, 600 SERIES	HPSD8RR3	00001618	1
18	PANEL, RR	PANEL, 8' REVERSE RADIUS, 4'-3" LONG, 600 SERIES	HPSCRR5	00009241	1
19	PANEL, RR	PANEL, 8' REVERSE RADIUS, 8' LONG, 600 SERIES	HPSD8RR8	00000347	1
20	HS311N	STEP, 8' RADIUS, 4 TREAD, CANTILEVER	HS311N	HS311N	1

ENGINEERING DRAWING NUMBER: <b>00017260</b>	WEIGHT: 431741.6 lbs VOLUME: Inch <sup>3</sup> COLOR: HEAT TREAT: FINISH: TEXTURE:	<b>UNLESS OTHERWISE SPECIFIED</b> DIMENSIONS ARE IN INCHES TOLERANCES DECIMALS: X ± .1 XX ± .01 XXX ± .001 XXXX ± .0005 ANGULAR: X ± 0.5 THIRD ANGLE PROJECTION	DESIGNED BY: <b>BUMPHREY</b> DETAILED BY: <b>BUMPHREY</b> LAST REVISED BY: <b>bumphrey</b> MATERIAL:	CREATION DATE: <b>5/20/2015</b> DETAILED DATE: <b>1/18/2018</b> LAST REVISED DATE: <b>1/18/2018</b>	TITLE: LAYOUT, 20' X 43' X 47', AMEBA, 8" DEEP, HS311N, LIGHT, 3-1084, 3-INLET, 600 SERIES	
	HYDRA POOLS				PART NUMBER:	SCALE: 1:132 SHEET: 1 OF 5
	00017260				SIZE:	<b>A</b>
	REV. LEVEL: A-REV. DATE: JULY 29, 2015-DOCUMENT ID: CF7308, ANSI A-LANDSCAPE					



**Area: 1192.64ft ^2**  
**Perimeter: 152.83ft**  
**Volume = 37210 US gallons**

**NOTES:**

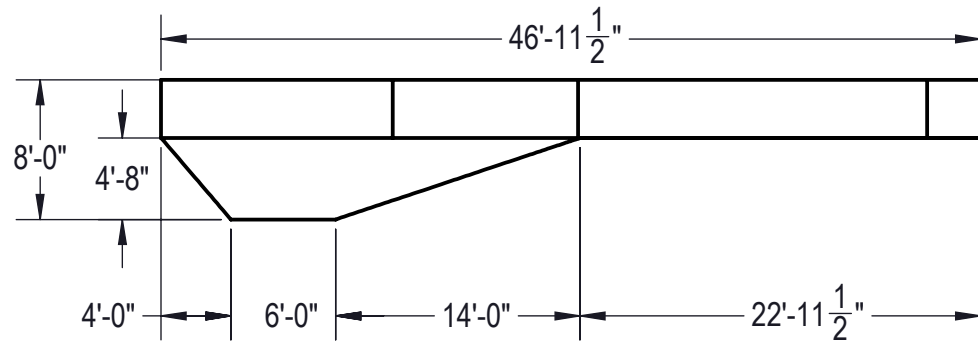
1. THESE ARE FINISHED DIMENSIONS READY FOR THE LINER.
2. DIMENSIONS ARE FROM INSIDE POOL PANELS.
3. ROPE AND FLOAT ASSEMBLY SHOULD BE INSTALLED IN ACCORDANCE WITH CURRENT ANSI/ASPS/ICC REGULATIONS
4. HYDRA LINER TRACK FOR STEPS IS INSTALLED WITH THE BARB FACING THE RISER WALL ON THE STEP.

**EXCAVATION NOTES:**

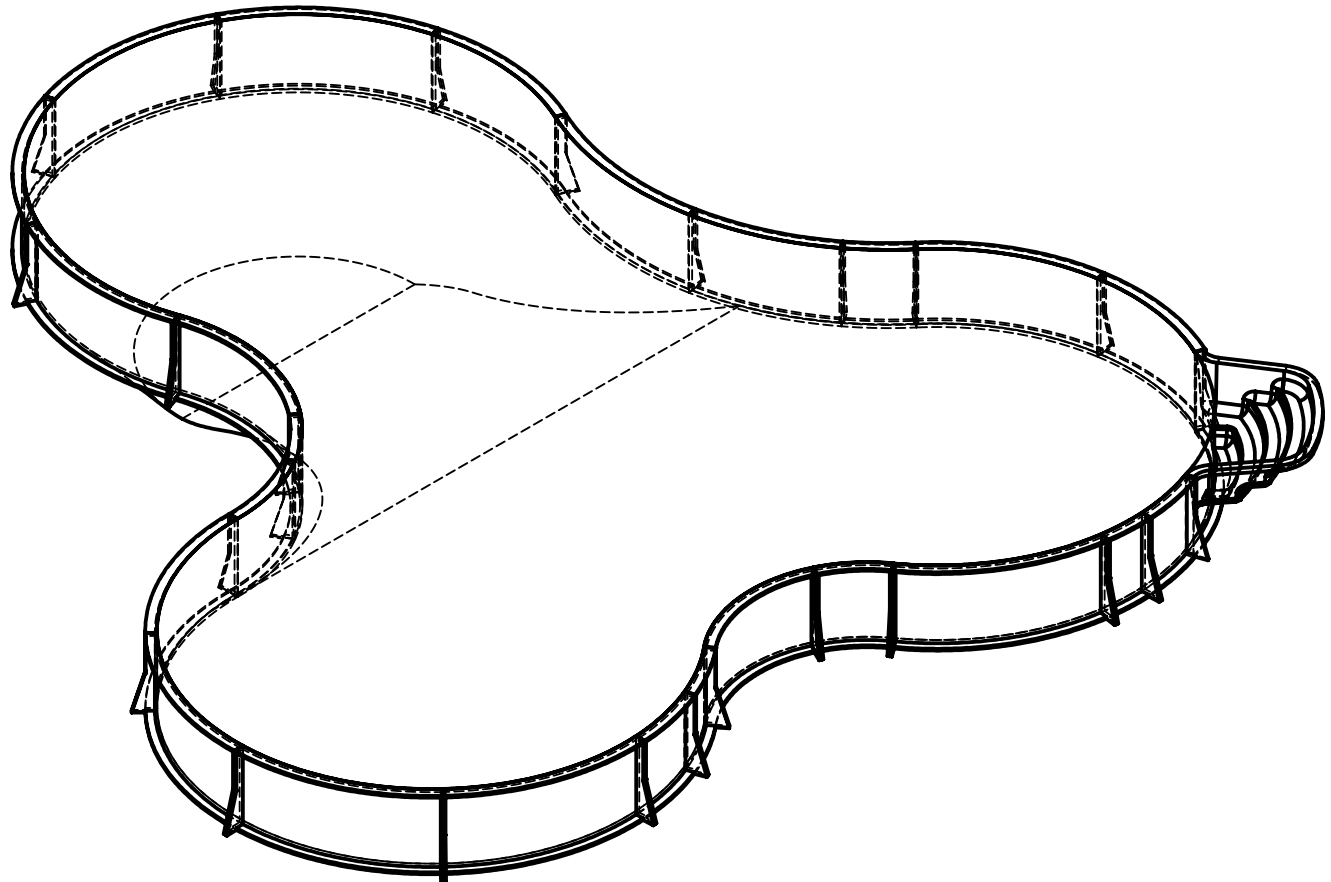
5. ROUGH EXCAVATION SHOULD BE 2" DEEPER IN EACH INSTANCE.
6. SOIL TO HAVE MINIMUM BEARING CAPACITY OF 1500 PSF.
7. LOCATE TOP OF POOL AT LEAST 6" ABOVE THE SURROUNDING LAND ELEVATION.
8. SEE "OVER DIG DETAIL" FOR EXCAVATION AROUND POOL.
9. FILL VOIDS UNDER BASE OF PANELS AND TAMP WELL.
10. BACK FILL WITH NON-EXPANSIVE MATERIAL.
11. FOLLOW ALL CURRENT ANSI / APSP / ICC GUIDELINES FOR RESIDENTIAL POOLS


**IMPORTANT NOTES:**

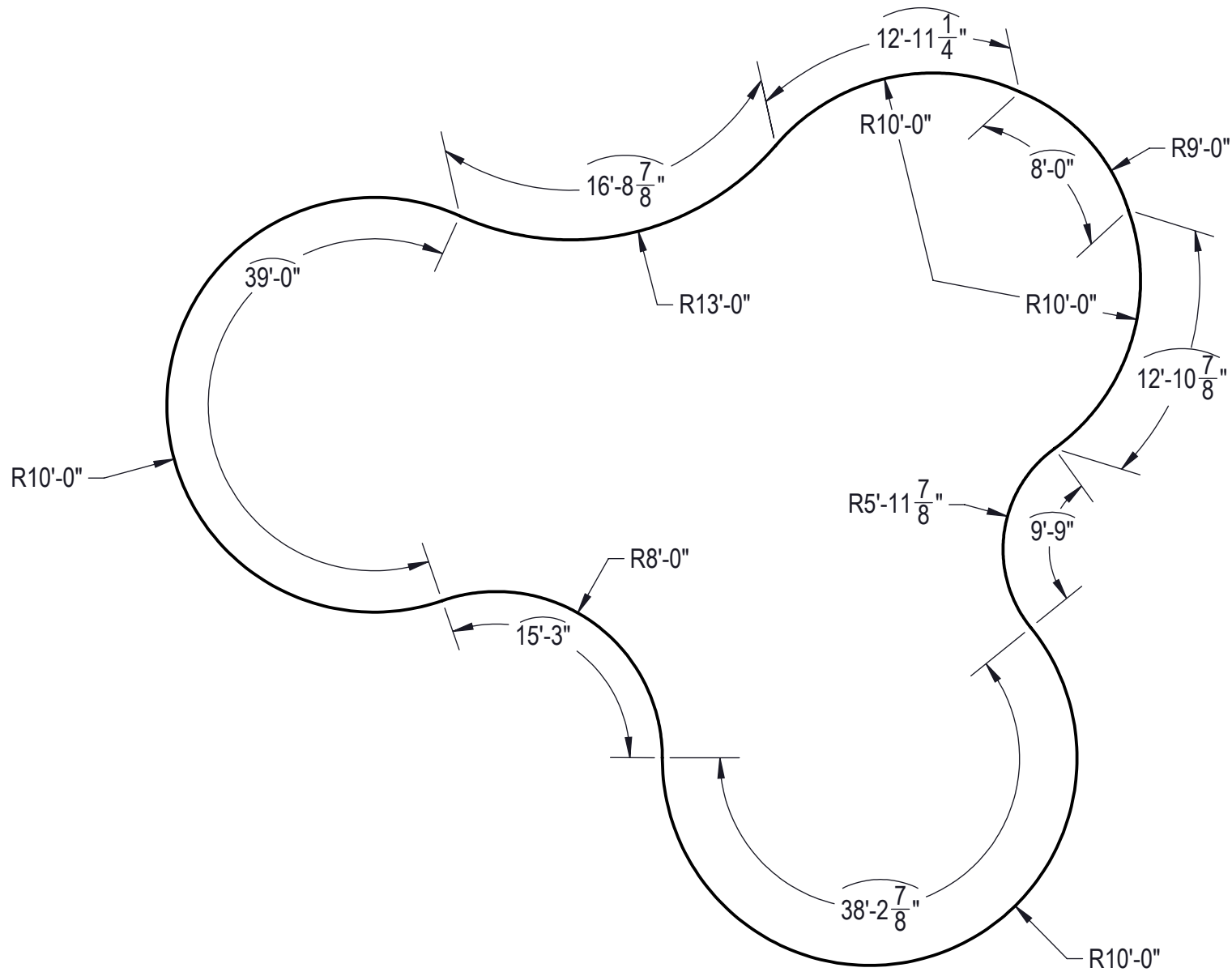
THIS DOCUMENT IS FOR ILLUSTRATIVE PURPOSES ONLY. THE DEALER OR CONTRACTOR WHO SELLS OR INSTALLS YOUR POOL IS AN INDEPENDENT CONTRACTOR AND IS NOT AN AGENT OF THE MANUFACTURER. THE CONSTRUCTION METHODS ILLUSTRATED HERE ARE SUGGESTIONS AND APPLY ONLY TO NORMAL GROUND CONDITIONS. THERE MAY BE ADDITIONAL PRECAUTIONS AND/OR METHODS OF CONSTRUCTION. PROPER INSTALLATION IS THE RESPONSIBILITY OF THE DEALER/BUILDER/CONTRACTOR.



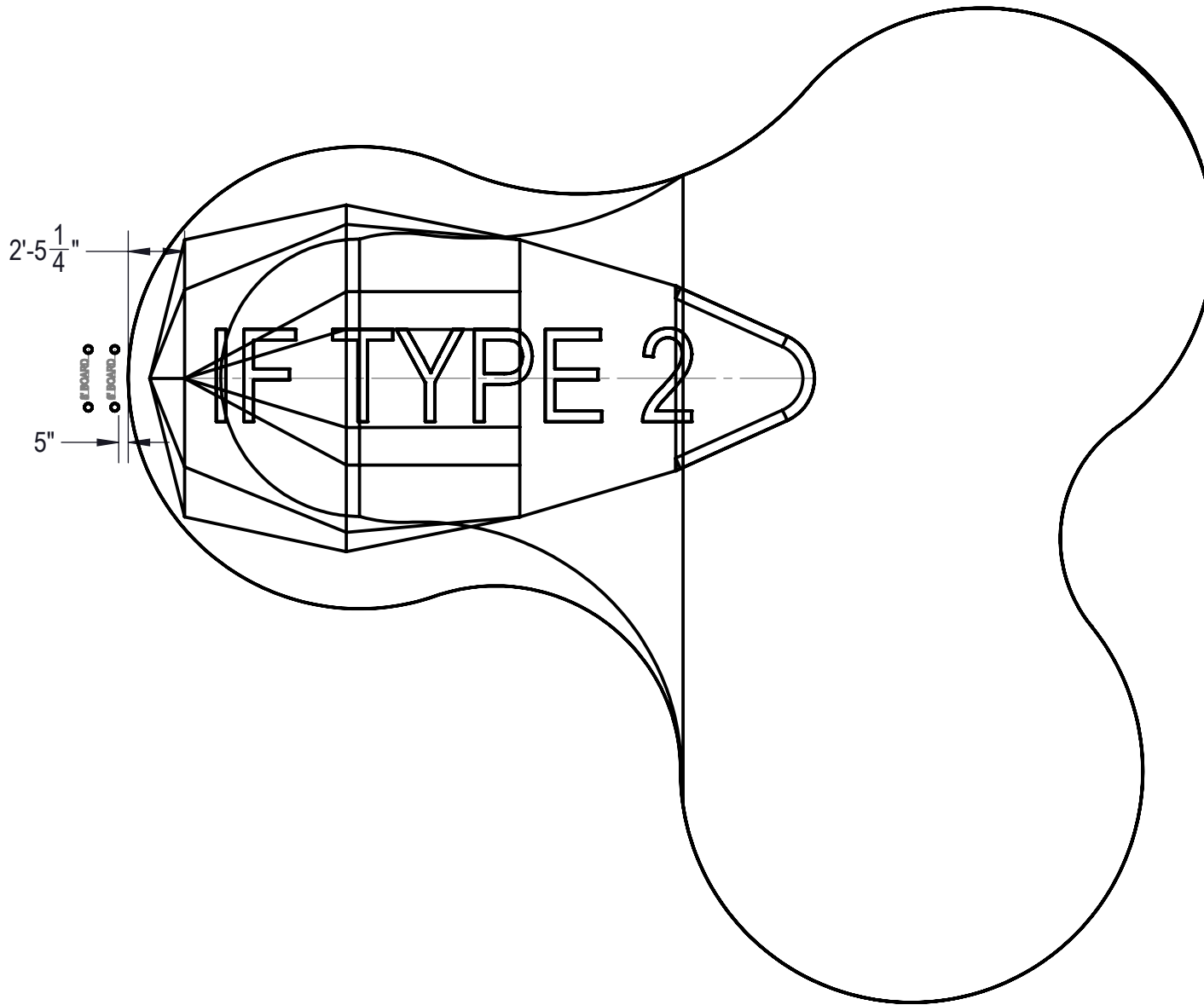
ENGINEERING DRAWING NUMBER: <b>00017260</b>	WEIGHT: 310536.235 lbs	<b>UNLESS OTHERWISE SPECIFIED</b> DIMENSIONS ARE IN INCHES TOLERANCES DECIMALS: X ± .1 XX ± .01 XXX ± .001 XXXX ± .0005  ANGULAR: X ± 0.5 THIRD ANGLE PROJECTION 	DESIGNED BY: BUMPHREY	CREATION DATE: 5/20/2015	<b>HYDRA POOLS</b>	
	VOLUME: 8595615.808 Inch³		DETAILED BY: BUMPHREY	DETAILED DATE: 1/18/2018		
	COLOR: NA		LAST REVISED BY: bumphrey	LAST REVISED DATE: 1/18/2018	TITLE: LAYOUT, 20' X 43' X 47', AMEBA, 8" DEEP, HS311N, LIGHT, 3-1084, 3-INLET, 600 SERIES	
	HEAT TREAT: NA		MATERIAL: Water			
	FINISH: NA		PART NUMBER: <b>00017260</b>			
TEXTURE: NA			SHEET: 2 OF 5			



ENGINEERING DRAWING NUMBER: <b>00017260</b>	WEIGHT: 431741.6 lbs	<b>UNLESS OTHERWISE SPECIFIED</b> DIMENSIONS ARE IN INCHES TOLERANCES DECIMALS: X ± .1 XX ± .01 XXX ± .001 XXXX ± .0005  ANGULAR: X ± 0.5 THIRD ANGLE PROJECTION 	DESIGNED BY: BUMPHREY	CREATION DATE: 5/20/2015	<b>HYDRA POOLS</b>	
	VOLUME: Inch <sup>3</sup>		DETAILED BY: BUMPHREY	DETAILED DATE: 1/18/2018		
	COLOR:		LAST REVISED BY: bumphrey	LAST REVISED DATE: 1/18/2018		
	HEAT TREAT:		MATERIAL:		TITLE: LAYOUT, 20' X 43' X 47', AMEBA, 8" DEEP, HS311N, LIGHT, 3-1084, 3-INLET, 600 SERIES	
	FINISH:				PART NUMBER:	SCALE: 1:84
TEXTURE:			<b>00017260</b>		SHEET: 3 OF 5	



ENGINEERING DRAWING NUMBER: <b>00017260</b>	WEIGHT: 310536.235 lbs	<b>UNLESS OTHERWISE SPECIFIED</b> DIMENSIONS ARE IN INCHES TOLERANCES DECIMALS: X ± .1 XX ± .01 XXX ± .001 XXXX ± .0005  ANGULAR: X ± 0.5 THIRD ANGLE PROJECTION 	DESIGNED BY: BUMPHREY	CREATION DATE: 5/20/2015	<b>HYDRA POOLS</b>  TITLE: LAYOUT, 20' X 43' X 47', AMEBA, 8" DEEP, HS311N, LIGHT, 3-1084, 3-INLET, 600 SERIES  PART NUMBER: <div style="font-size: 24pt; font-weight: bold; text-align: center;">00017260</div>
	VOLUME: 8595615.808 Inch <sup>3</sup>		DETAILED BY: BUMPHREY	DETAILED DATE: 1/18/2018	
	COLOR: NA		LAST REVISED BY: bumphrey	LAST REVISED DATE: 1/18/2018	
	HEAT TREAT: NA		MATERIAL: Water		
	FINISH: NA				
TEXTURE: NA			SCALE: 1:84	SIZE: A	
				SHEET: 4 OF 5	



ENGINEERING DRAWING NUMBER: <b>00017260</b>	WEIGHT: 431741.6 lbs	<b>UNLESS OTHERWISE SPECIFIED</b> DIMENSIONS ARE IN INCHES TOLERANCES DECIMALS: X ± .1 XX ± .01 XXX ± .001 XXXX ± .0005  ANGULAR: X ± 0.5 THIRD ANGLE PROJECTION 	DESIGNED BY: BUMPHREY	CREATION DATE: 5/20/2015	HYDRA POOLS  TITLE: LAYOUT, 20' X 43' X 47', AMEBA, 8" DEEP, HS311N, LIGHT, 3-1084, 3-INLET, 600 SERIES		
	VOLUME: Inch <sup>3</sup>		DETAILED BY: BUMPHREY	DETAILED DATE: 1/18/2018			
	COLOR:		LAST REVISED BY: bumphrey	LAST REVISED DATE: 1/18/2018			
	HEAT TREAT:		MATERIAL:		PART NUMBER:	SCALE: 1:84	SIZE: A
	FINISH:				<b>00017260</b>	SHEET: 5 OF 5	
	TEXTURE:						