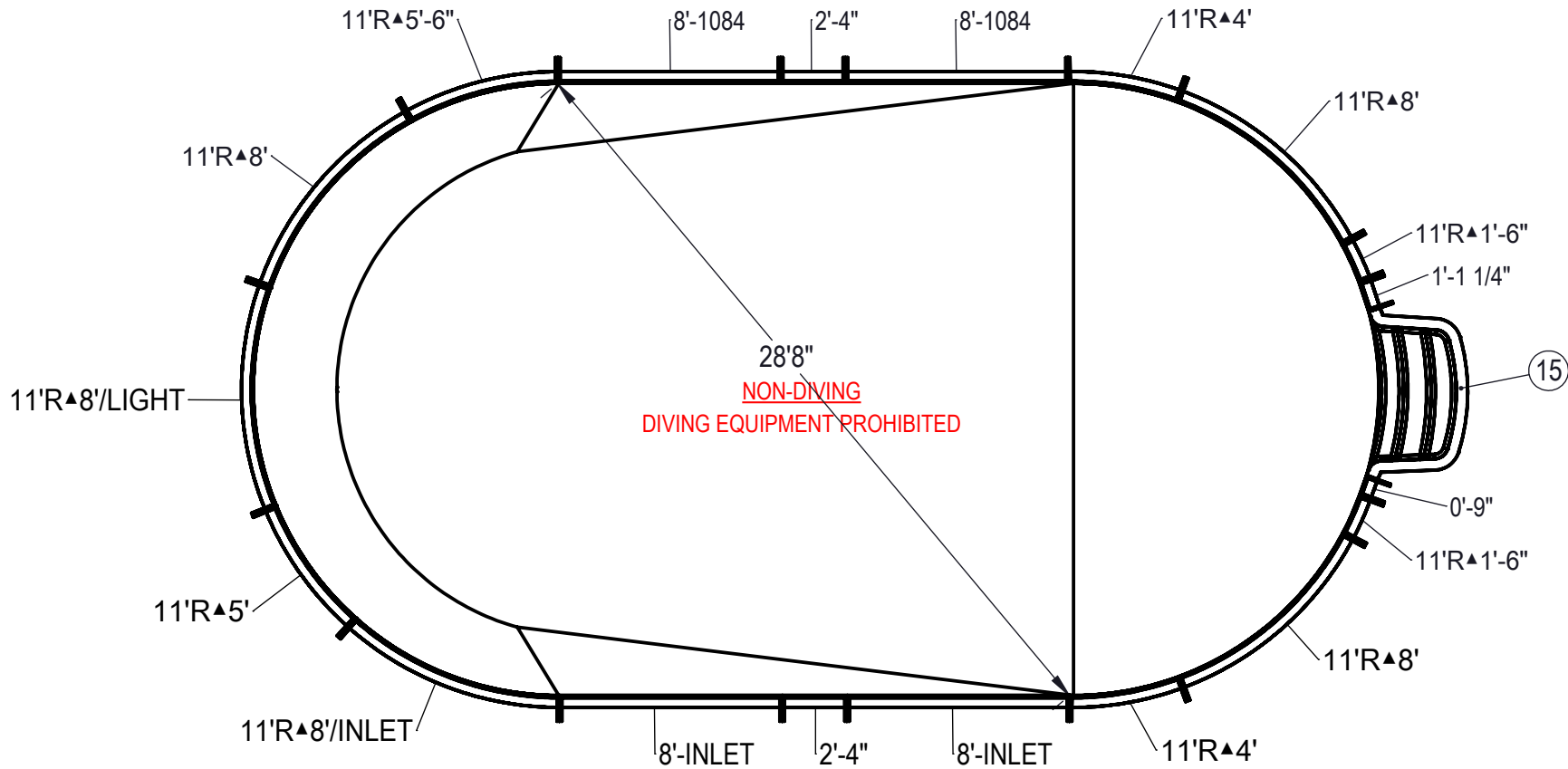


REVISION HISTORY				
REV.	DESCRIPTION	DATE	ECO	BY
A	RELEASED FOR QUOTE	1/15/2018		RSANVICENTE



**NON-DIVING
DIVING EQUIPMENT PROHIBITED**

NOTES:

- THESE ARE FINISHED DIMENSIONS READY FOR THE LINER.
- DIMENSIONS ARE FROM INSIDE POOL PANELS.
- ROPE AND FLOAT ASSEMBLY SHOULD BE INSTALLED IN ACCORDANCE WITH CURRENT ANSI/ASPS/ICC REGULATIONS
- HYDRA LINER TRACK FOR STEPS IS INSTALLED WITH THE BARB FACING THE RISER WALL ON THE STEP.

EXCAVATION NOTES:

- ROUGH EXCAVATION SHOULD BE 2" DEEPER IN EACH INSTANCE.
- SOIL TO HAVE MINIMUM BEARING CAPACITY OF 1500 PSF.
- LOCATE TOP OF POOL AT LEAST 6" ABOVE THE SURROUNDING LAND ELEVATION.
- SEE "OVER DIG DETAIL" FOR EXCAVATION AROUND POOL.
- FILL VOIDS UNDER BASE OF PANELS AND TAMP WELL.
- BACK FILL WITH NON-EXPANSIVE MATERIAL.
- FOLLOW ALL CURRENT ANSI / APSP / ICC GUIDELINES FOR RESIDENTIAL POOLS

IMPORTANT NOTES:

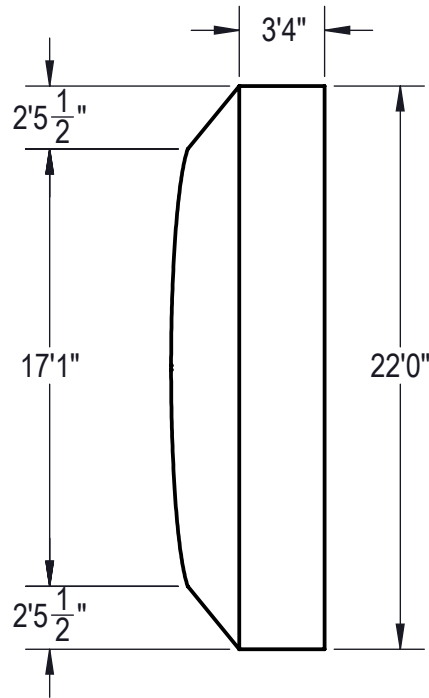
THIS DOCUMENT IS FOR ILLUSTRATIVE PURPOSES ONLY. THE DEALER OR CONTRACTOR WHO SELLS OR INSTALLS YOUR POOL IS AN INDEPENDENT CONTRACTOR AND IS NOT AN AGENT OF THE MANUFACTURER. THE CONSTRUCTION METHODS ILLUSTRATED HERE ARE SUGGESTIONS AND APPLY ONLY TO NORMAL GROUND CONDITIONS. THERE MAY BE ADDITIONAL PRECAUTIONS AND/OR METHODS OF CONSTRUCTION. PROPER INSTALLATION IS THE RESPONSIBILITY OF THE DEALER/BUILDER/CONTRACTOR.

ITEM	FILE NAME	DESCRIPTION	CUSTOMER DRAWING #	VENDOR PART #	QTY.
1	BOLT, PACK	BOLT, FLANGE, 3/8-16 X 1", PACK (50)	HPS1916	HPS1916	5
2	SBRACE	BRACE, FOLD OVER WITH TURNBUCKLE, STEEL, HPSFOB	HPSFOB	HPSFOB	20
3	PANEL, STRAIGHT	PANEL, 0'-9" LONG, 600 SERIES	HPSD9P	00001694	1
4	PANEL, STRAIGHT	PANEL, 1'-1 1/4" LONG, 600 SERIES	HPSCR2	00006567	1
5	PANEL, RADIUS	PANEL, 11' RADIUS, 1'-6" LONG, 600 SERIES	HPSD11R16	00001134	2
6	PANEL, RADIUS	PANEL, 11' RADIUS, 4" LONG, 600 SERIES	HPSD11R4	00001136	2
7	PANEL, RADIUS	PANEL, 11' RADIUS, 5" LONG, 600 SERIES	HPSD11R5	000001149	1
8	PANEL, RADIUS	PANEL, 11' RADIUS, 5'-6" LONG, 600 SERIES	HPSCR6	00006530	1
9	PANEL, RADIUS	PANEL, 11' RADIUS, 8" LONG, 600 SERIES	HPSD11R8	00001182	3
10	PANEL, RADIUS	PANEL, 11' RADIUS, 8" LONG, INLET, 600 SERIES	HPSD11R8I	00000770	1
11	PANEL, RADIUS	PANEL, 11' RADIUS, 8" LONG, LIGHT, 600 SERIES	HPSD11R8L	00001196	1
12	PANEL, STRAIGHT	PANEL, 2'-4" LONG, 600 SERIES	HPSCS3	00001983	2
13	PANEL, STRAIGHT	PANEL, 8" LONG, 1084, 600 SERIES	HPSD10884	00002006	2
14	PANEL, STRAIGHT	PANEL, 8" LONG, INLET, 600 SERIES	HPSD108I	00000699	2
15	HS303N	STEP, 9" RADIUS, 3 TREAD, CANTILEVER	HS303N	HS303N	1

ENGINEERING DRAWING NUMBER: 00017213	WEIGHT: 226976.5 lbs	UNLESS OTHERWISE SPECIFIED DIMENSIONS ARE IN INCHES TOLERANCES DECIMALS: X ± .1 XX ± .01 XXX ± .001 XXXX ± .0005 ANGULAR: X ± 0.5 THIRD ANGLE PROJECTION
	VOLUME: Inch ³	
	COLOR:	
	HEAT TREAT:	
	FINISH:	
	TEXTURE:	

DESIGNED BY: RCOLBOCH	CREATION DATE: 7/15/2013
DETAILED BY: RSANVICENTE	DETAILED DATE: 1/15/2018
LAST REVISED BY: hyeng	LAST REVISED DATE: 1/15/2018
MATERIAL:	

HYDRA POOLS	
TITLE: LAYOUT, 22' X 40'-5" OVAL, WEDGE, 6" DEEP, HS303N, 2-1084, 3- INLET, 600 SERIES	
PART NUMBER: 00017213	SCALE: 1:128 SHEET: 1 OF 3
	SIZE: A



Area: 785.87ft ^2
Perimeter: 106.00ft
Volume = 24706 US gallons

NOTES:

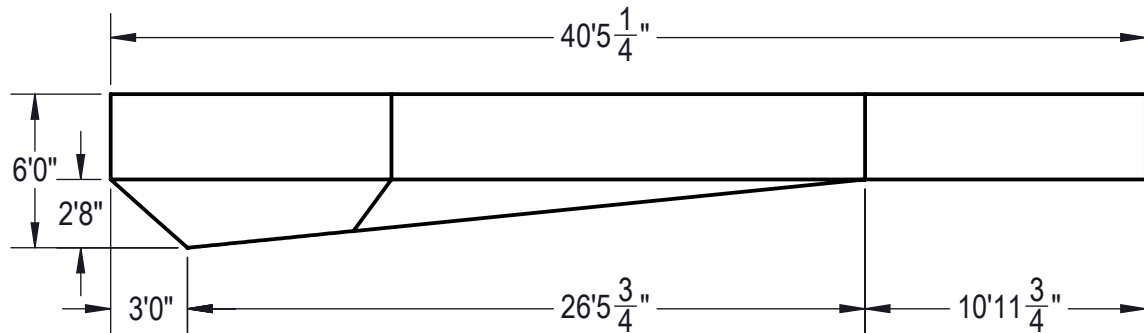
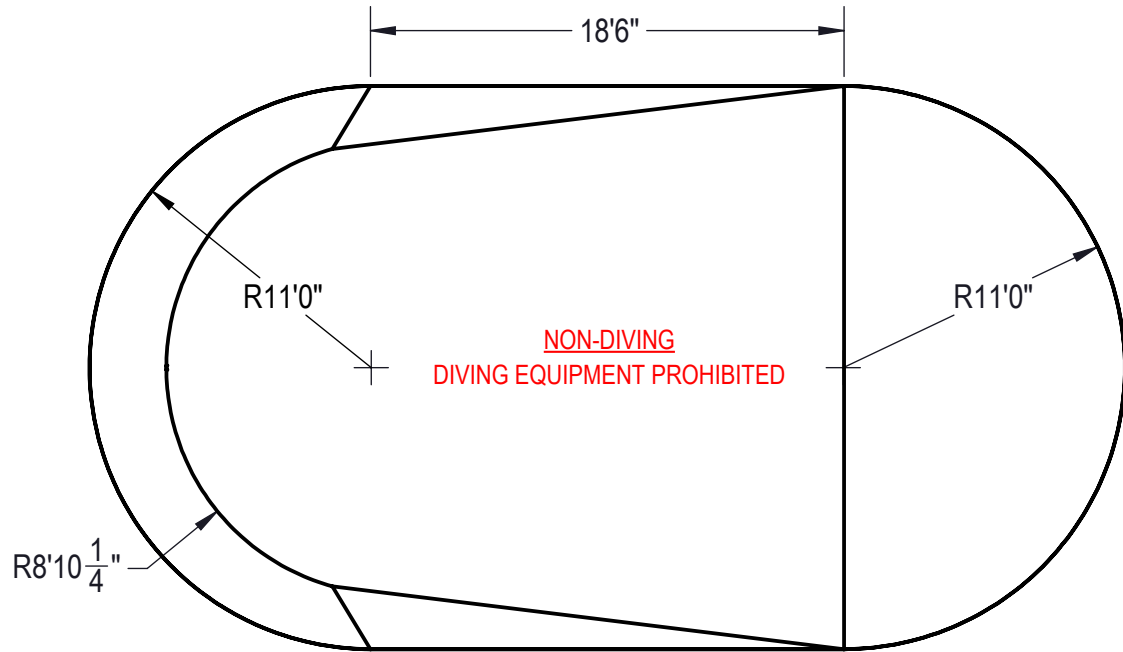
1. THESE ARE FINISHED DIMENSIONS READY FOR THE LINER.
2. DIMENSIONS ARE FROM INSIDE POOL PANELS.
3. ROPE AND FLOAT ASSEMBLY SHOULD BE INSTALLED IN ACCORDANCE WITH CURRENT ANSI/ASPS/ICC REGULATIONS
4. HYDRA LINER TRACK FOR STEPS IS INSTALLED WITH THE BARB FACING THE RISER WALL ON THE STEP.

EXCAVATION NOTES:

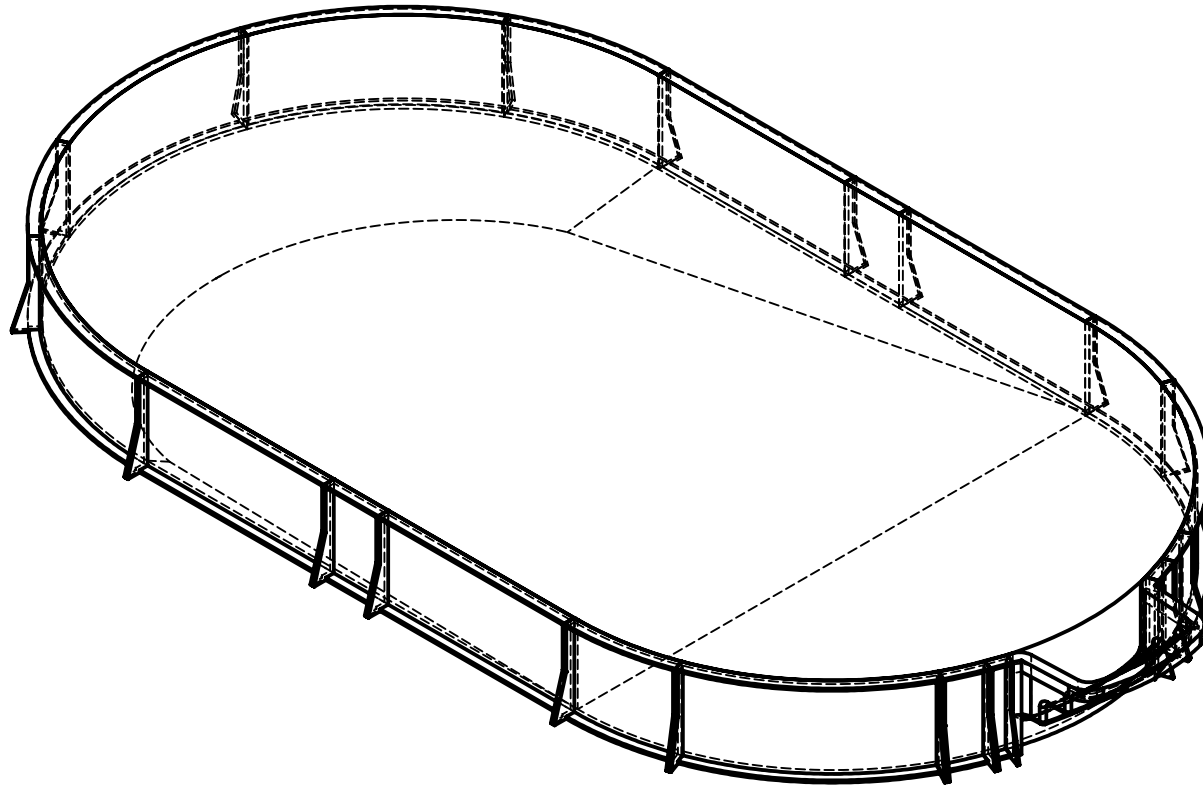
5. ROUGH EXCAVATION SHOULD BE 2" DEEPER IN EACH INSTANCE.
6. SOIL TO HAVE MINIMUM BEARING CAPACITY OF 1500 PSF.
7. LOCATE TOP OF POOL AT LEAST 6" ABOVE THE SURROUNDING LAND ELEVATION.
8. SEE "OVER DIG DETAIL" FOR EXCAVATION AROUND POOL.
9. FILL VOIDS UNDER BASE OF PANELS AND TAMP WELL.
10. BACK FILL WITH NON-EXPANSIVE MATERIAL.
11. FOLLOW ALL CURRENT ANSI / APSP / ICC GUIDELINES FOR RESIDENTIAL POOLS


IMPORTANT NOTES:

THIS DOCUMENT IS FOR ILLUSTRATIVE PURPOSES ONLY. THE DEALER OR CONTRACTOR WHO SELLS OR INSTALLS YOUR POOL IS AN INDEPENDENT CONTRACTOR AND IS NOT AN AGENT OF THE MANUFACTURER. THE CONSTRUCTION METHODS ILLUSTRATED HERE ARE SUGGESTIONS AND APPLY ONLY TO NORMAL GROUND CONDITIONS. THERE MAY BE ADDITIONAL PRECAUTIONS AND/OR METHODS OF CONSTRUCTION. PROPER INSTALLATION IS THE RESPONSIBILITY OF THE DEALER/BUILDER/CONTRACTOR.



ENGINEERING DRAWING NUMBER: 00017213	WEIGHT: lbs	UNLESS OTHERWISE SPECIFIED DIMENSIONS ARE IN INCHES TOLERANCES DECIMALS: X ± .1 XX ± .01 XXX ± .001 XXXX ± .0005 ANGULAR: X ± 0.5 THIRD ANGLE PROJECTION	DESIGNED BY: RCOLBOCH	CREATION DATE: 7/15/2013	HYDRA POOLS
	VOLUME: Inch ³		DETAILED BY: RSANVICENTE	DETAILED DATE: 1/15/2018	
	COLOR:		LAST REVISED BY: hyeng	LAST REVISED DATE: 1/15/2018	TITLE: LAYOUT, 22' X 40'-5" OVAL, WEDGE, 6' DEEP, HS303N, 2-1084, 3- INLET, 600 SERIES
	HEAT TREAT:		MATERIAL:		
	FINISH:		PART NUMBER: 00017213		
TEXTURE:			SHEET: 2 OF 3		



ENGINEERING DRAWING NUMBER: 00017213	WEIGHT: 226976.5 lbs	UNLESS OTHERWISE SPECIFIED DIMENSIONS ARE IN INCHES TOLERANCES DECIMALS: X ± .1 XX ± .01 XXX ± .001 XXXX ± .0005 ANGULAR: X ± 0.5 THIRD ANGLE PROJECTION 	DESIGNED BY: RCOLBOCH	CREATION DATE: 7/15/2013	HYDRA POOLS TITLE: LAYOUT, 22' X 40'-5" OVAL, WEDGE, 6" DEEP, HS303N, 2-1084, 3- INLET, 600 SERIES PART NUMBER: <div style="font-size: 24pt; font-weight: bold; text-align: center;">00017213</div>
	VOLUME: Inch ³		DETAILED BY: RSANVICENTE	DETAILED DATE: 1/15/2018	
	COLOR:		LAST REVISED BY: hyeng	LAST REVISED DATE: 1/15/2018	
	HEAT TREAT:		MATERIAL:		
	FINISH:		SCALE: 1:128		
	TEXTURE:		SHEET: 3 OF 3		

SIZE:
A