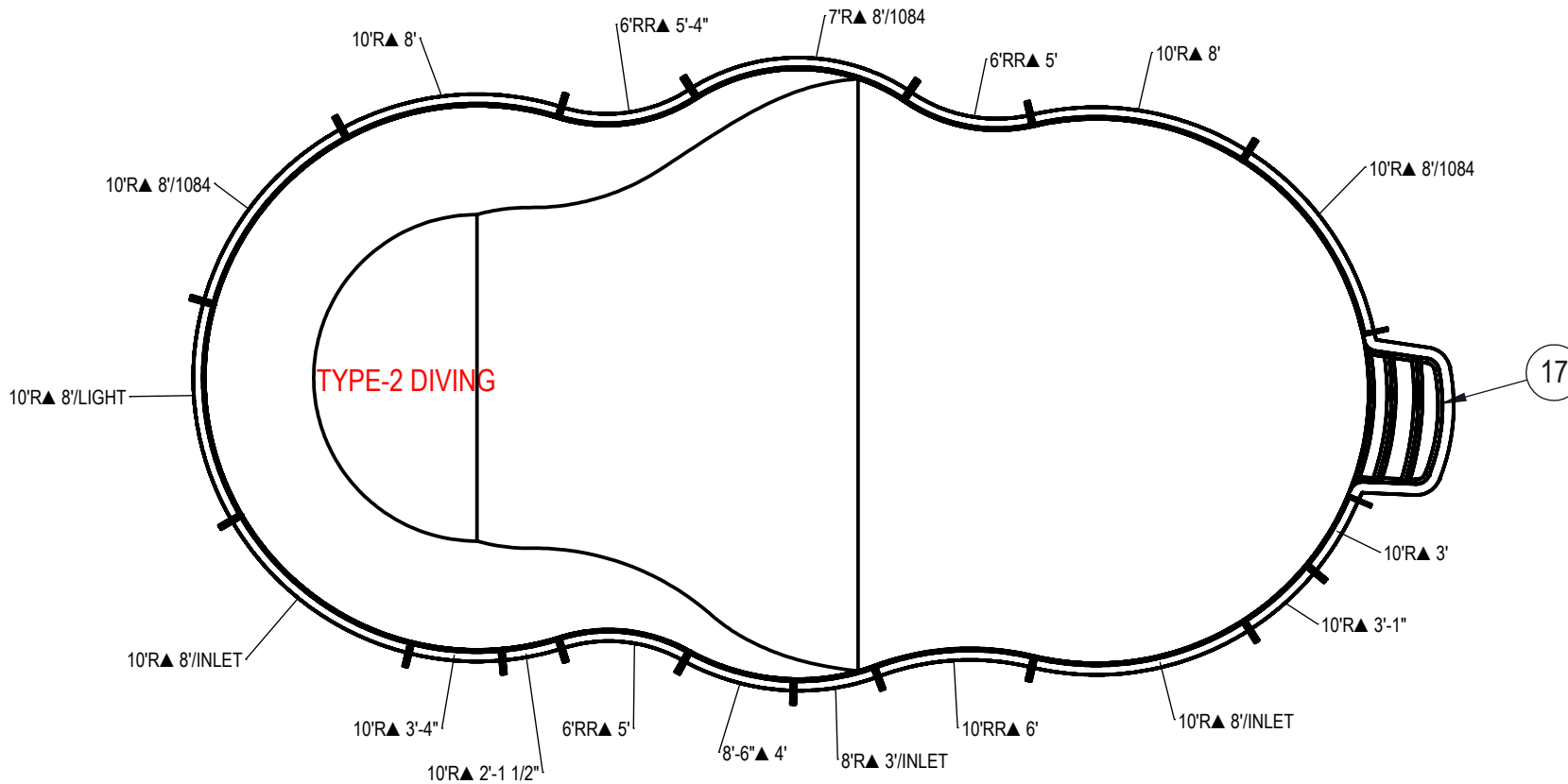


REVISION HISTORY				
REV.	DESCRIPTION	DATE	ECO	BY



**NOTES:**

- THESE ARE FINISHED DIMENSIONS READY FOR THE LINER.
- DIMENSIONS ARE FROM INSIDE POOL PANELS.
- ROPE AND FLOAT ASSEMBLY SHOULD BE INSTALLED IN ACCORDANCE WITH CURRENT ANSI/ASPS/ICC REGULATIONS
- HYDRA LINER TRACK FOR STEPS IS INSTALLED WITH THE BARB FACING THE RISER WALL ON THE STEP.

**EXCAVATION NOTES:**

- ROUGH EXCAVATION SHOULD BE 2" DEEPER IN EACH INSTANCE.
- SOIL TO HAVE MINIMUM BEARING CAPACITY OF 1500 PSF.
- LOCATE TOP OF POOL AT LEAST 6" ABOVE THE SURROUNDING LAND ELEVATION.
- SEE "OVER DIG DETAIL" FOR EXCAVATION AROUND POOL.
- FILL VOIDS UNDER BASE OF PANELS AND TAMP WELL.
- BACK FILL WITH NON-EXPANSIVE MATERIAL.
- FOLLOW ALL CURRENT ANSI / APSP / ICC GUIDELINES FOR RESIDENTIAL POOLS

**IMPORTANT NOTES:**

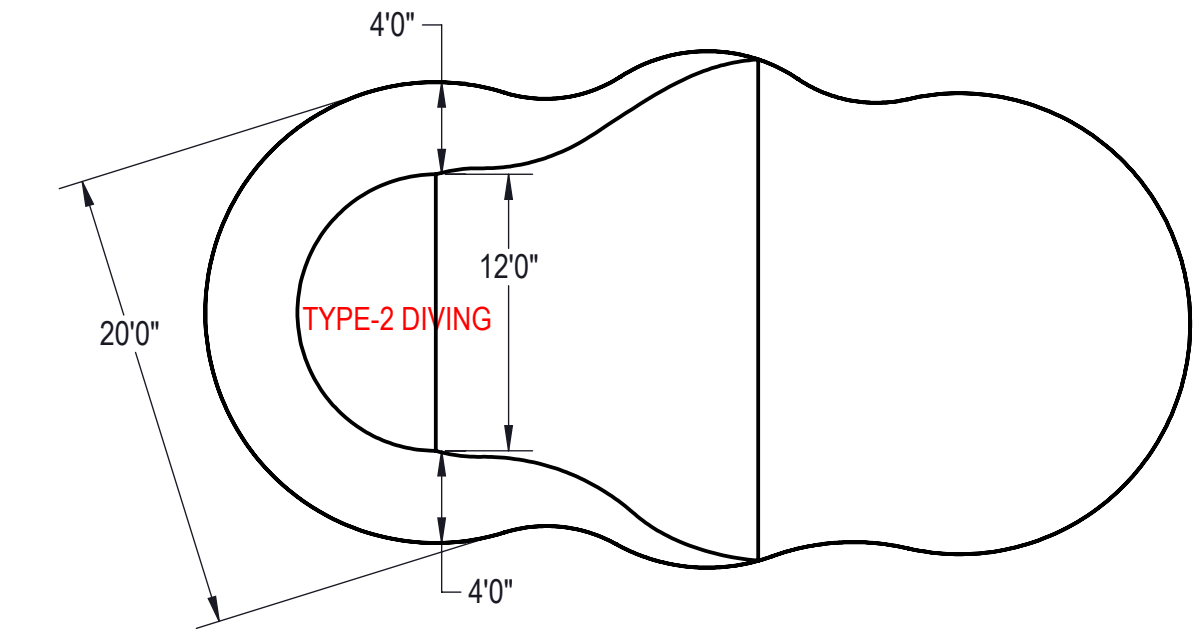
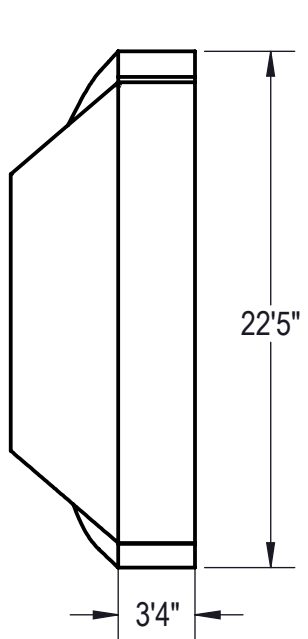
THIS DOCUMENT IS FOR ILLUSTRATIVE PURPOSES ONLY. THE DEALER OR CONTRACTOR WHO SELLS OR INSTALLS YOUR POOL IS AN INDEPENDENT CONTRACTOR AND IS NOT AN AGENT OF THE MANUFACTURER. THE CONSTRUCTION METHODS ILLUSTRATED HERE ARE SUGGESTIONS AND APPLY ONLY TO NORMAL GROUND CONDITIONS. THERE MAY BE ADDITIONAL PRECAUTIONS AND/OR METHODS OF CONSTRUCTION. PROPER INSTALLATION IS THE RESPONSIBILITY OF THE DEALER/BUILDER/CONTRACTOR.

ITEM	FILE NAME	DESCRIPTION	CUSTOMER DRAWING #	VENDOR PART #	QTY.
1	BOLT, PACK	BOLT, FLANGE, 3/8-16 X 1", PACK (50)	HPS1916	HPS1916	5
2	SBRACE	BRACE, FOLD OVER WITH TURNBUCKLE, STEEL, HPSFOB	HPSFOB	HPSFOB	19
3	PANEL, RADIUS	PANEL, 10' RADIUS, 2'-1 1/2" LONG, 600 SERIES	HPSCR3	00006559	1
4	PANEL, RADIUS	PANEL, 10' RADIUS, 3' LONG, 600 SERIES	HPS10R3	00002098	1
5	PANEL, RADIUS	PANEL, 10' RADIUS, 3'-1" LONG, 600 SERIES	HPSCR4	00006650	1
6	PANEL, RADIUS	PANEL, 10' RADIUS, 3'-4" LONG, 600 SERIES	HPSCR4	00008774	1
7	PANEL, RADIUS	PANEL, 10' RADIUS, 8' LONG 1084, 600 SERIES	HPSD10R884	00000241	2
8	PANEL, RADIUS	PANEL, 10' RADIUS, 8' LONG, 600 SERIES	HPSD10R8	00000999	2
9	PANEL, RADIUS	PANEL, 10' RADIUS, 8' LONG, INLET, 600 SERIES	HPS10R8I	00002082	2
10	PANEL, RADIUS	PANEL, 10' RADIUS, 8' LONG, LIGHT, 600 SERIES	HPSD10R8L	00001014	1
11	PANEL, RR	PANEL, 10' REVERSE RADIUS, 6' LONG, 600 SERIES	HPSD10RR6	00001015	1
12	PANEL, RR	PANEL, 6' REVERSE RADIUS, 5' LONG, 600 SERIES	HPS6RR5	00000131	2
13	PANEL, RR	PANEL, 6' REVERSE RADIUS, 5'-4" LONG, 600 SERIES	HPSCR6	00009562	1
14	PANEL, RADIUS	PANEL, 7' RADIUS, 8' LONG, 1084, 600 SERIES	HPS7R884	00002362	1
15	PANEL, RADIUS	PANEL, 8' RADIUS, 3' LONG, INLET, 600 SERIES	HPSCR4	00008134	1
16	PANEL, RADIUS	PANEL, 8'-6" RADIUS, 4' LONG, 600 SERIES	HPSCR5	00005398	1
17	HS303N	STEP, 9' RADIUS, 3 TREAD, CANTILEVER	HS303N	HS303N	1

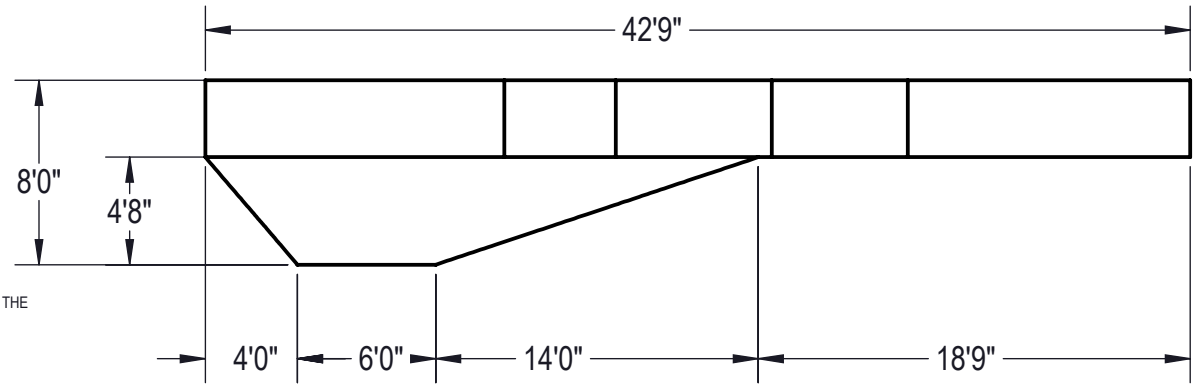
ENGINEERING DRAWING NUMBER: <b>00017243</b>	WEIGHT: lbs	<b>UNLESS OTHERWISE SPECIFIED</b> DIMENSIONS ARE IN INCHES TOLERANCES DECIMALS: X ± .1 XX ± .01 XXX ± .001 XXXX ± .0005  ANGULAR: X ± 0.5 THIRD ANGLE PROJECTION 
	VOLUME: Inch³	
	COLOR:	
	HEAT TREAT:	
	FINISH:	
	TEXTURE:	

DESIGNED BY: <b>BUMPHREY</b>	CREATION DATE: 1/30/2014
DETAILED BY: <b>BUMPHREY</b>	DETAILED DATE: 1/16/2018
LAST REVISED BY: <b>bumphrey</b>	LAST REVISED DATE: 1/16/2018
MATERIAL:	

<b>HYDRA POOLS</b>	
TITLE: LAYOUT, 22'5" X 42'9", MOUNTAIN LAKE, 8' DEEP, HS303N, LIGHT, 3-1084, 3-INLETS, 600 SERIES	
PART NUMBER: <b>00017243</b>	SCALE: 1:192 SHEET: 1 OF 5 SIZE: <b>A</b>



**Area: 773.46ft ^2**  
**Perimeter: 109.84ft**  
**Volume = 27028 US gallons**



**NOTES:**

1. THESE ARE FINISHED DIMENSIONS READY FOR THE LINER.
2. DIMENSIONS ARE FROM INSIDE POOL PANELS.
3. ROPE AND FLOAT ASSEMBLY SHOULD BE INSTALLED IN ACCORDANCE WITH CURRENT ANSI/ASPS/ICC REGULATIONS
4. HYDRA LINER TRACK FOR STEPS IS INSTALLED WITH THE BARB FACING THE RISER WALL ON THE STEP.

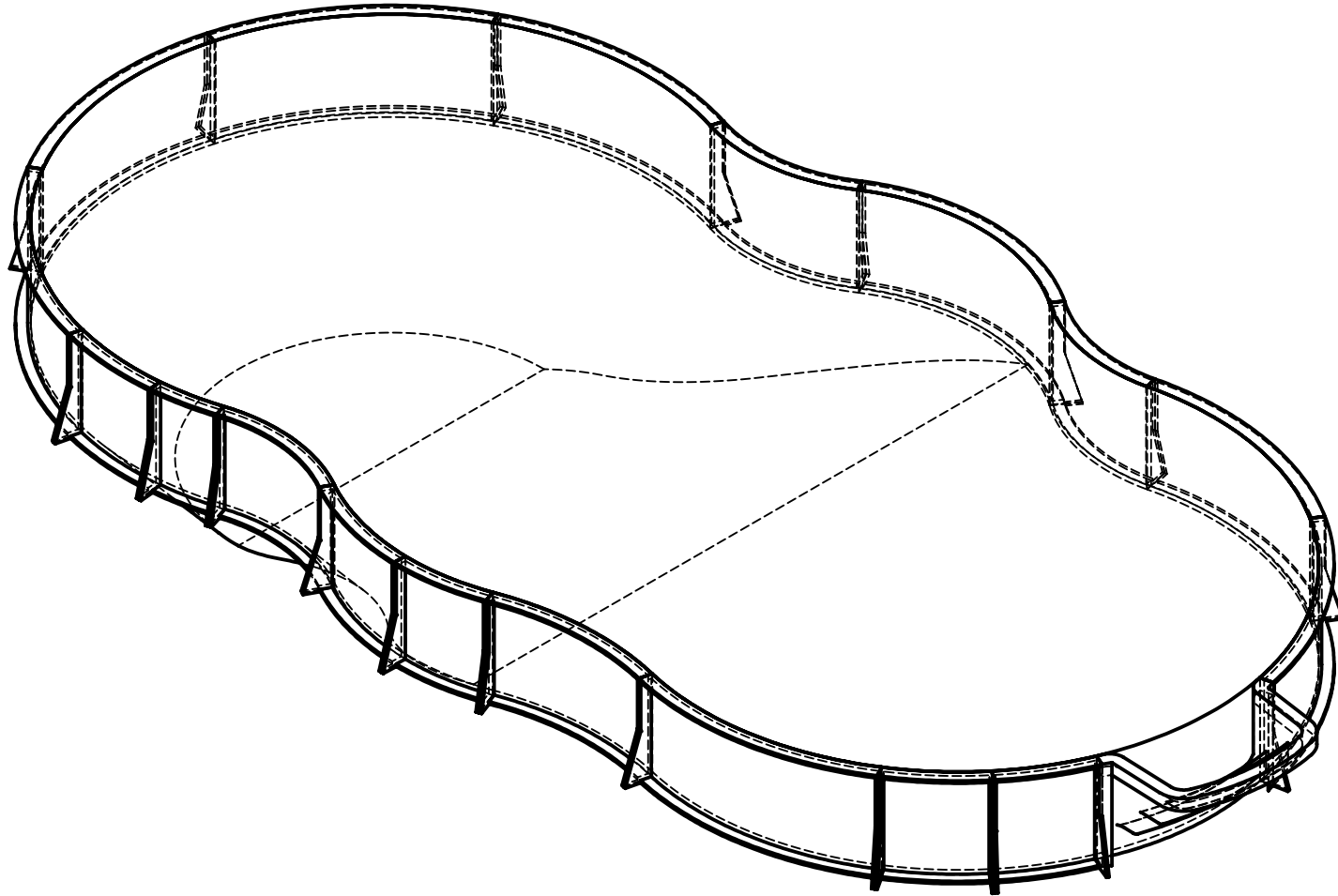
**EXCAVATION NOTES:**


5. ROUGH EXCAVATION SHOULD BE 2" DEEPER IN EACH INSTANCE.
6. SOIL TO HAVE MINIMUM BEARING CAPACITY OF 1500 PSF.
7. LOCATE TOP OF POOL AT LEAST 6" ABOVE THE SURROUNDING LAND ELEVATION.
8. SEE "OVER DIG DETAIL" FOR EXCAVATION AROUND POOL.
9. FILL VOIDS UNDER BASE OF PANELS AND TAMP WELL.
10. BACK FILL WITH NON-EXPANSIVE MATERIAL.
11. FOLLOW ALL CURRENT ANSI / APSP / ICC GUIDELINES FOR RESIDENTIAL POOLS

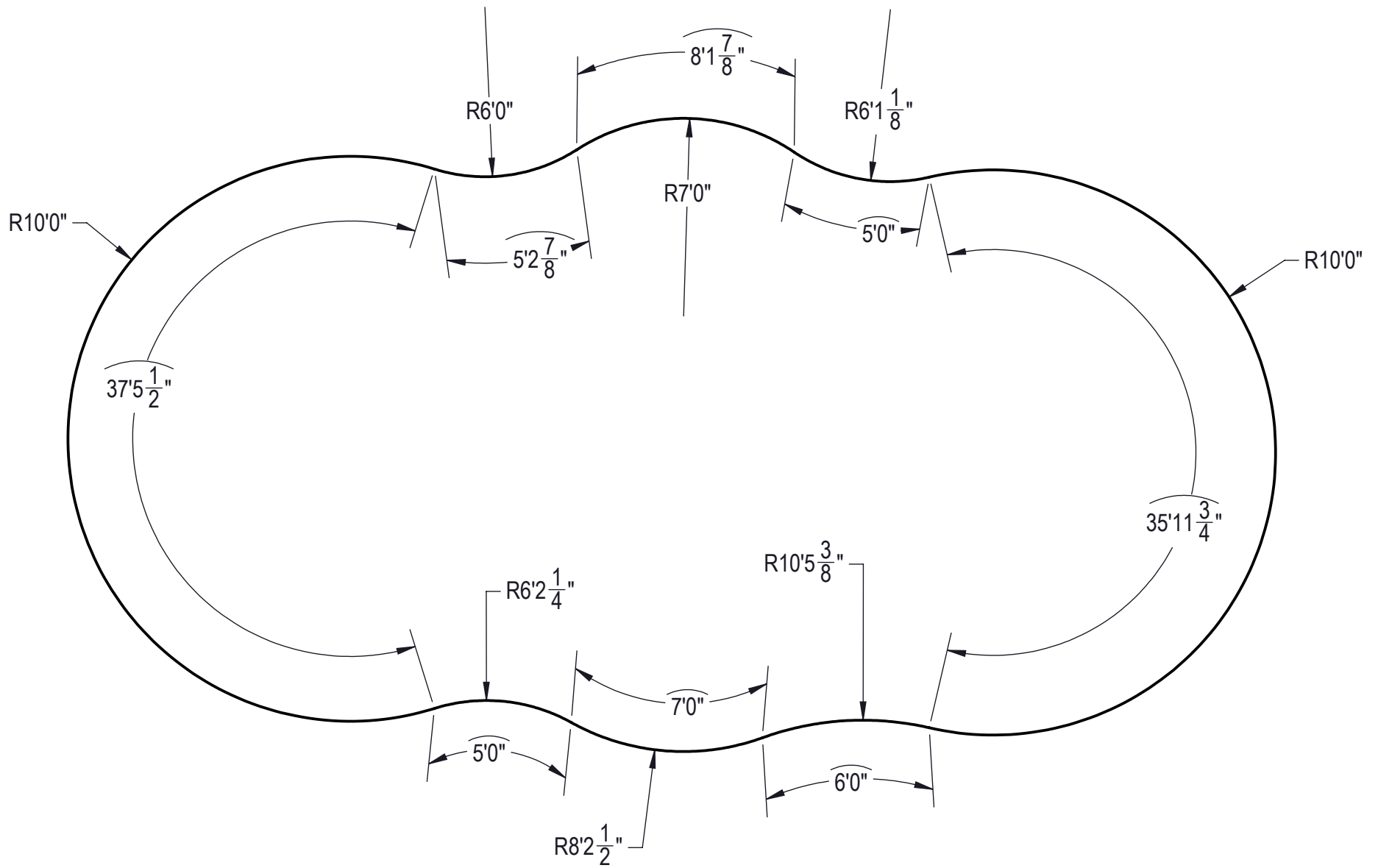
**IMPORTANT NOTES:**

THIS DOCUMENT IS FOR ILLUSTRATIVE PURPOSES ONLY. THE DEALER OR CONTRACTOR WHO SELLS OR INSTALLS YOUR POOL IS AN INDEPENDENT CONTRACTOR AND IS NOT AN AGENT OF THE MANUFACTURER. THE CONSTRUCTION METHODS ILLUSTRATED HERE ARE SUGGESTIONS AND APPLY ONLY TO NORMAL GROUND CONDITIONS. THERE MAY BE ADDITIONAL PRECAUTIONS AND/OR METHODS OF CONSTRUCTION. PROPER INSTALLATION IS THE RESPONSIBILITY OF THE DEALER/BUILDER/CONTRACTOR.

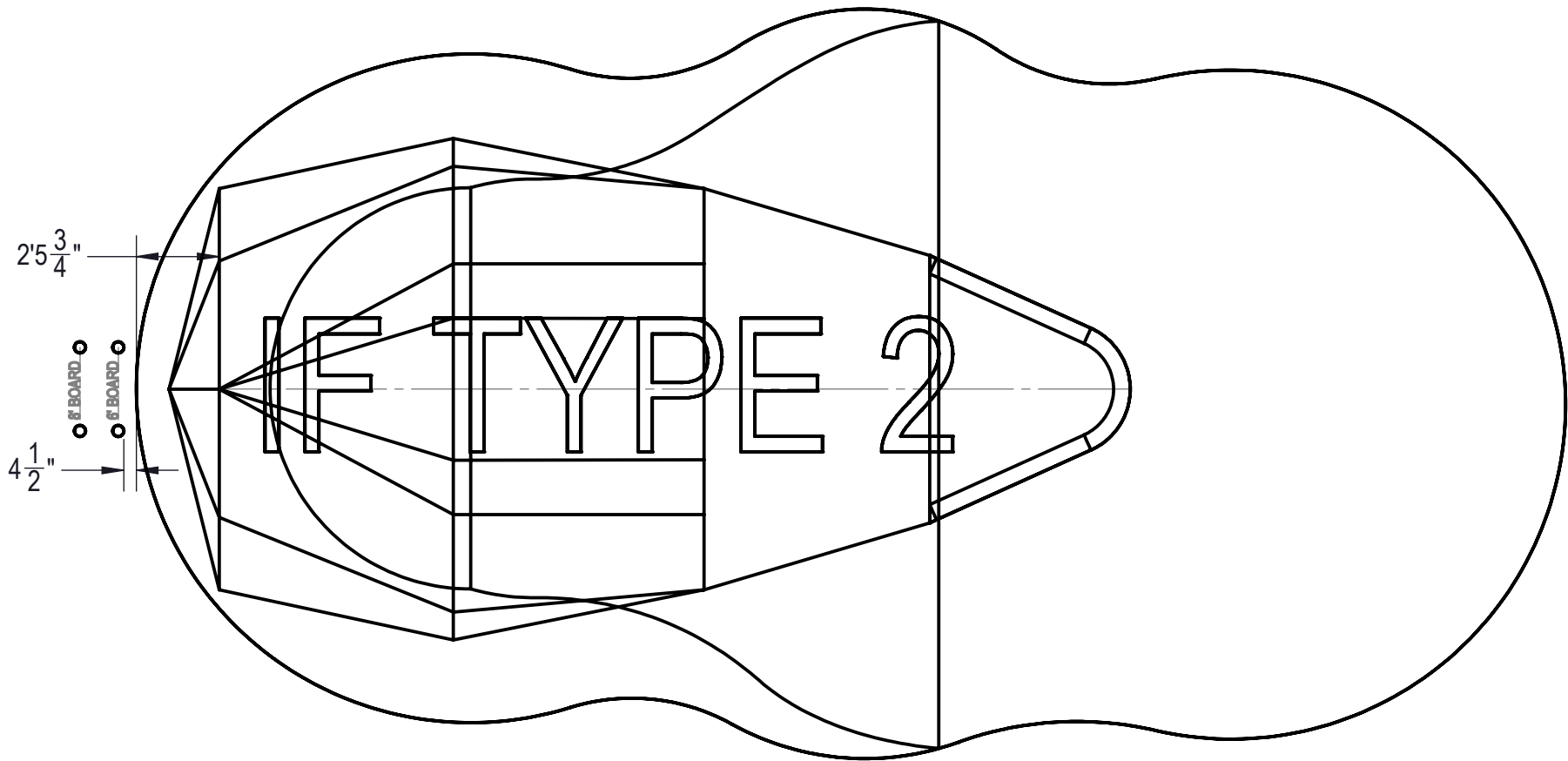
ENGINEERING DRAWING NUMBER: <b>00017243</b>	WEIGHT:	<b>UNLESS OTHERWISE SPECIFIED</b> DIMENSIONS ARE IN INCHES TOLERANCES DECIMALS: X ± .1 XX ± .01 XXX ± .001 XXXX ± .0005  ANGULAR: X ± 0.5 THIRD ANGLE PROJECTION	DESIGNED BY:	CREATION DATE:	<b>HYDRA POOLS</b>  TITLE: LAYOUT, 22'5" X 42'9", MOUNTAIN LAKE, 8' DEEP, HS303N, LIGHT, 3-1084, 3-INLETS, 600 SERIES
	VOLUME:		DETAILLED BY:	DETAILLED DATE:	
	Inch <sup>3</sup>		BUMPHREY	1/16/2018	
	COLOR:		LAST REVISED BY:	LAST REVISED DATE:	
	NA		bumphrey	1/16/2018	
HEAT TREAT:	MATERIAL:	PART NUMBER:	SCALE:	SIZE:	
NA		<b>00017243</b>	1:84	<b>A</b>	
FINISH:			SHEET:		
NA			2 OF 5		
TEXTURE:					
NA					




ENGINEERING DRAWING NUMBER: <b>00017243</b>	WEIGHT:	<b>UNLESS OTHERWISE SPECIFIED</b> DIMENSIONS ARE IN INCHES TOLERANCES DECIMALS: X ± .1 XX ± .01 XXX ± .001 XXXX ± .0005  ANGULAR: X ± 0.5 THIRD ANGLE PROJECTION 	DESIGNED BY:	CREATION DATE:	<b>HYDRA POOLS</b>  TITLE: LAYOUT, 22'5" X 42'9", MOUNTAIN LAKE, 8' DEEP, HS303N, LIGHT, 3-1084, 3-INLETS, 600 SERIES
	lbs		BUMPHREY	1/30/2014	
	VOLUME:		DETAILED BY:	DETAILED DATE:	
	Inch <sup>3</sup>		BUMPHREY	1/16/2018	
	COLOR:		LAST REVISED BY:	LAST REVISED DATE:	
	NA		bumphrey	1/16/2018	
HEAT TREAT:	MATERIAL:	PART NUMBER:	SCALE:	SIZE:	
NA		<b>00017243</b>	1:60	<b>A</b>	
FINISH:			SHEET:		
NA			3 OF 5		
TEXTURE:					
NA					



ENGINEERING DRAWING NUMBER: <b>00017243</b>	WEIGHT:	<b>UNLESS OTHERWISE SPECIFIED</b> DIMENSIONS ARE IN INCHES TOLERANCES DECIMALS: X ± .1 XX ± .01 XXX ± .001 XXXX ± .0005  ANGULAR: X ± 0.5 THIRD ANGLE PROJECTION 	DESIGNED BY:	CREATION DATE:	<b>HYDRA POOLS</b>
	lbs		BUMPHREY	1/30/2014	
	VOLUME:		DESIGNED BY:	DETAILED DATE:	
	Inch <sup>3</sup>		BUMPHREY	1/16/2018	TITLE: LAYOUT, 22'5" X 42'9", MOUNTAIN LAKE, 8' DEEP, HS303N, LIGHT, 3-1084, 3-INLETS, 600 SERIES
	COLOR:		LAST REVISED BY:	LAST REVISED DATE:	
	NA		bumphrey	1/16/2018	
HEAT TREAT:	MATERIAL:	PART NUMBER:		SCALE:	SIZE:
NA		<b>00017243</b>		1:60	A
FINISH:				SHEET:	
NA				4 OF 5	
TEXTURE:					
NA					



ENGINEERING DRAWING NUMBER: <b>00017243</b>	WEIGHT:	<b>UNLESS OTHERWISE SPECIFIED</b> DIMENSIONS ARE IN INCHES TOLERANCES DECIMALS: X ± .1 XX ± .01 XXX ± .001 XXXX ± .0005  ANGULAR: X ± 0.5 THIRD ANGLE PROJECTION 	DESIGNED BY:	CREATION DATE:	<b>HYDRA POOLS</b>
	lbs		BUMPHREY	1/30/2014	
	VOLUME:		Detailed by:	Detailed Date:	
	Inch <sup>3</sup>		BUMPHREY	1/16/2018	TITLE: LAYOUT, 22'5" X 42'9", MOUNTAIN LAKE, 8' DEEP, HS303N, LIGHT, 3-1084, 3-INLETS, 600 SERIES
	COLOR:		LAST REVISED BY:	LAST REVISED DATE:	
	NA		bumphrey	1/16/2018	
	HEAT TREAT:		MATERIAL:		
NA			PART NUMBER:	SCALE:	SIZE:
FINISH:			<b>00017243</b>	1:60	<b>A</b>
TEXTURE:				SHEET:	
NA			5 OF 5		