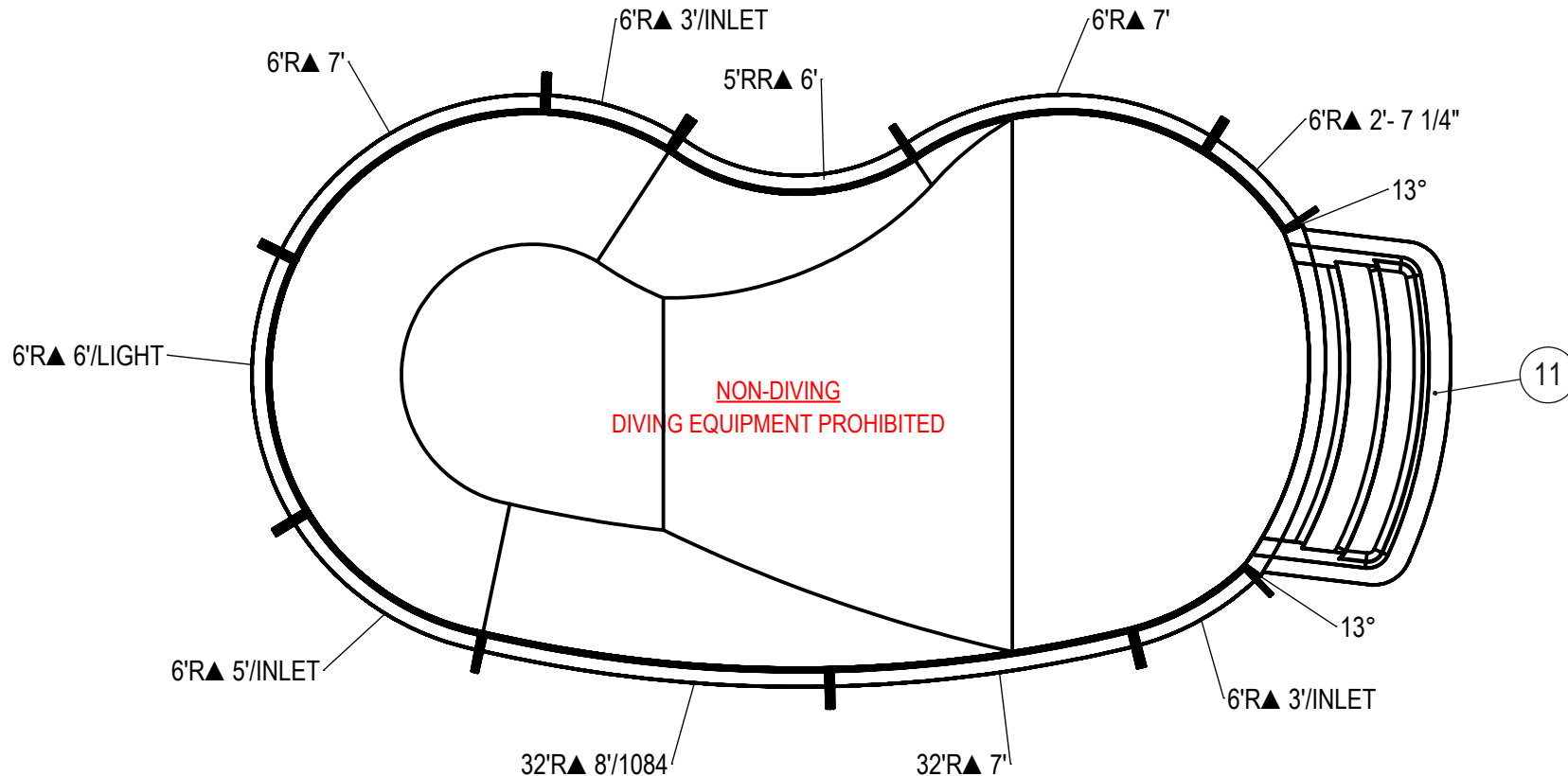


REVISION HISTORY				
REV.	DESCRIPTION	DATE	ECO	BY



NOTES:

- THESE ARE FINISHED DIMENSIONS READY FOR THE LINER.
- DIMENSIONS ARE FROM INSIDE POOL PANELS.
- ROPE AND FLOAT ASSEMBLY SHOULD BE INSTALLED IN ACCORDANCE WITH CURRENT ANSI/ASPS/ICC REGULATIONS
- HYDRA LINER TRACK FOR STEPS IS INSTALLED WITH THE BARB FACING THE RISER WALL ON THE STEP.

EXCAVATION NOTES:

- ROUGH EXCAVATION SHOULD BE 2" DEEPER IN EACH INSTANCE.
- SOIL TO HAVE MINIMUM BEARING CAPACITY OF 1500 PSF.
- LOCATE TOP OF POOL AT LEAST 6" ABOVE THE SURROUNDING LAND ELEVATION.
- SEE "OVER DIG DETAIL" FOR EXCAVATION AROUND POOL.
- FILL VOIDS UNDER BASE OF PANELS AND TAMP WELL.
- BACK FILL WITH NON-EXPANSIVE MATERIAL.
- FOLLOW ALL CURRENT ANSI / APSP / ICC GUIDELINES FOR RESIDENTIAL POOLS

IMPORTANT NOTES:

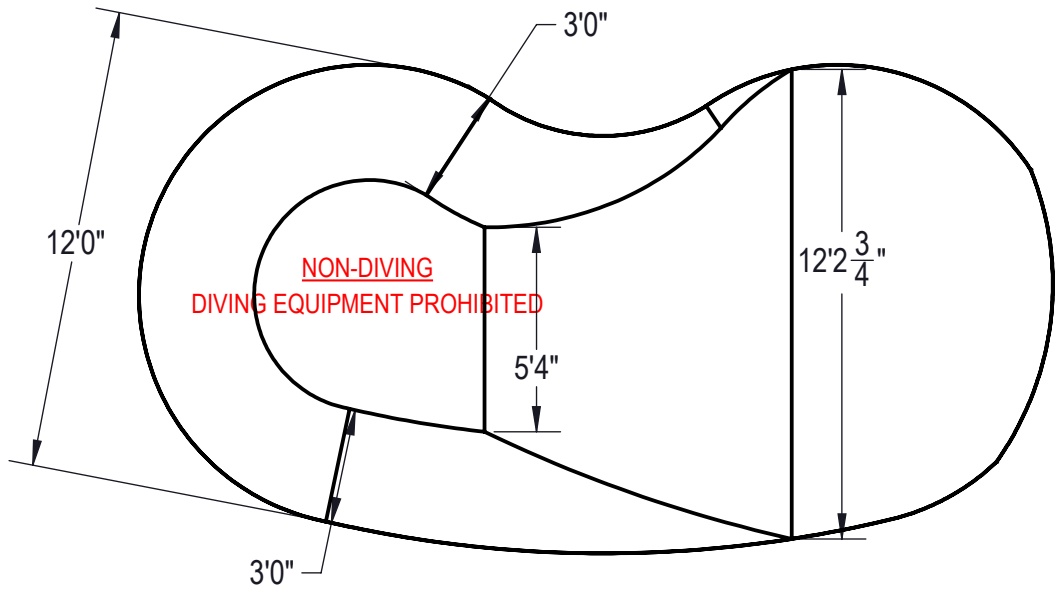
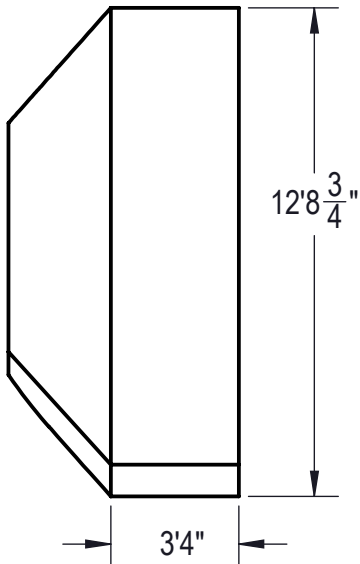
THIS DOCUMENT IS FOR ILLUSTRATIVE PURPOSES ONLY. THE DEALER OR CONTRACTOR WHO SELLS OR INSTALLS YOUR POOL IS AN INDEPENDENT CONTRACTOR AND IS NOT AN AGENT OF THE MANUFACTURER. THE CONSTRUCTION METHODS ILLUSTRATED HERE ARE SUGGESTIONS AND APPLY ONLY TO NORMAL GROUND CONDITIONS. THERE MAY BE ADDITIONAL PRECAUTIONS AND/OR METHODS OF CONSTRUCTION. PROPER INSTALLATION IS THE RESPONSIBILITY OF THE DEALER/BUILDER/CONTRACTOR.

ITEM	FILE NAME	DESCRIPTION	CUSTOMER DRAWING #	VENDOR PART #	QTY.
1	BOLT, PACK	BOLT, FLANGE, 3/8-16 X 1", PACK (50)	HPS1916	HPS1916	3
2	SBRACE	BRACE, FOLD OVER WITH TURNBUCKLE, STEEL, HPSFOB	HPSFOB	HPSFOB	11
3	PANEL, RADIUS	PANEL, 32' RADIUS, 7' LONG, 600 SERIES	HPSCR8	00002381	1
4	PANEL, RADIUS	PANEL, 32' RADIUS, 8' LONG, 1084, 600 SERIES	HPS32R884	00001026	1
5	PANEL, RR	PANEL, 5' REVERSE RADIUS, 6' LONG, 600 SERIES	HPSCRR7	00002130	1
6	PANEL, RADIUS	PANEL, 6' RADIUS, 2'-7 1/4" LONG, 600 SERIES	HPSCR3	00005909	1
7	PANEL, RADIUS	PANEL, 6' RADIUS, 3' LONG, INLET, 600 SERIES	HPSCR4	00007532	2
8	PANEL, RADIUS	PANEL, 6' RADIUS, 5' LONG, INLET, 600 SERIES	HPSCR6	00006489	1
9	PANEL, RADIUS	PANEL, 6' RADIUS, 6' LONG, LIGHT, 600 SERIES	HPSD6R6L	00000298	1
10	PANEL, RADIUS	PANEL, 6' RADIUS, 7' LONG, 600 SERIES	HPSD6R7	00000299	2
11	HS106N	STEP, 8' RADIUS, 3 TREAD	HS106N	HS106N	1
12	PANEL, WEDGE	WEDGE, 42" X 2 1/2" X 2 1/2" X 13°	HPSD13W	00004886	2

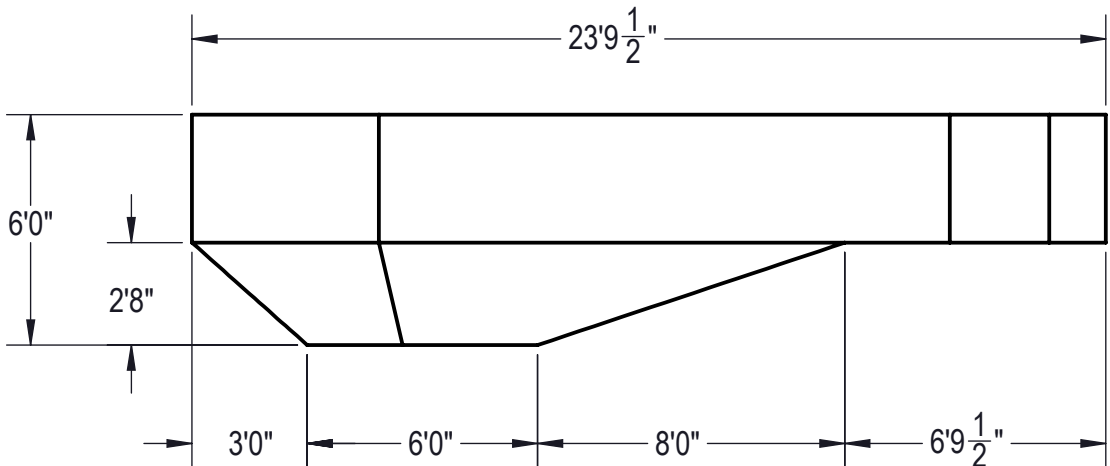
ENGINEERING DRAWING NUMBER: 00017493	WEIGHT: "SW- Mas@00002000 CSVDPR" Wume@00002 000-6600RT Mch3	UNLESS OTHERWISE SPECIFIED DIMENSIONS ARE IN INCHES TOLERANCES DECIMALS: X ± .1 XX ± .01 XXX ± .001 XXXX ± .0005 ANGULAR: X ± 0.5 THIRD ANGLE PROJECTION	DESIGNED BY: BUMPHREY	CREATION DATE: 4/19/2013	HYDRA POOLS		
	HEAT TREAT: NA		FINISH: NA	TEXTURE: NA			DETAILED BY: BUMPHREY
	LAST REVISED BY: bumphrey		LAST REVISED DATE: 2/1/2018	TITLE: LAYOUT, 12' X 24', KIDNEY, RIGHT, 6' DEEP, HS106N, LIGHT, 1084, 3-INLET, 600 SERIES			
	MATERIAL: "SW-Material@00002000.SLDPRT"			PART NUMBER:	SCALE: 1:96	SIZE: A	

00017493

SHEET:
1 OF 4



Area: 252.80ft ^2
Perimeter: 62.61ft
Volume = 8230 US gallons



NOTES:

1. THESE ARE FINISHED DIMENSIONS READY FOR THE LINER.
2. DIMENSIONS ARE FROM INSIDE POOL PANELS.
3. ROPE AND FLOAT ASSEMBLY SHOULD BE INSTALLED IN ACCORDANCE WITH CURRENT ANSI/ASPS/ICC REGULATIONS
4. HYDRA LINER TRACK FOR STEPS IS INSTALLED WITH THE BARB FACING THE RISER WALL ON THE STEP.

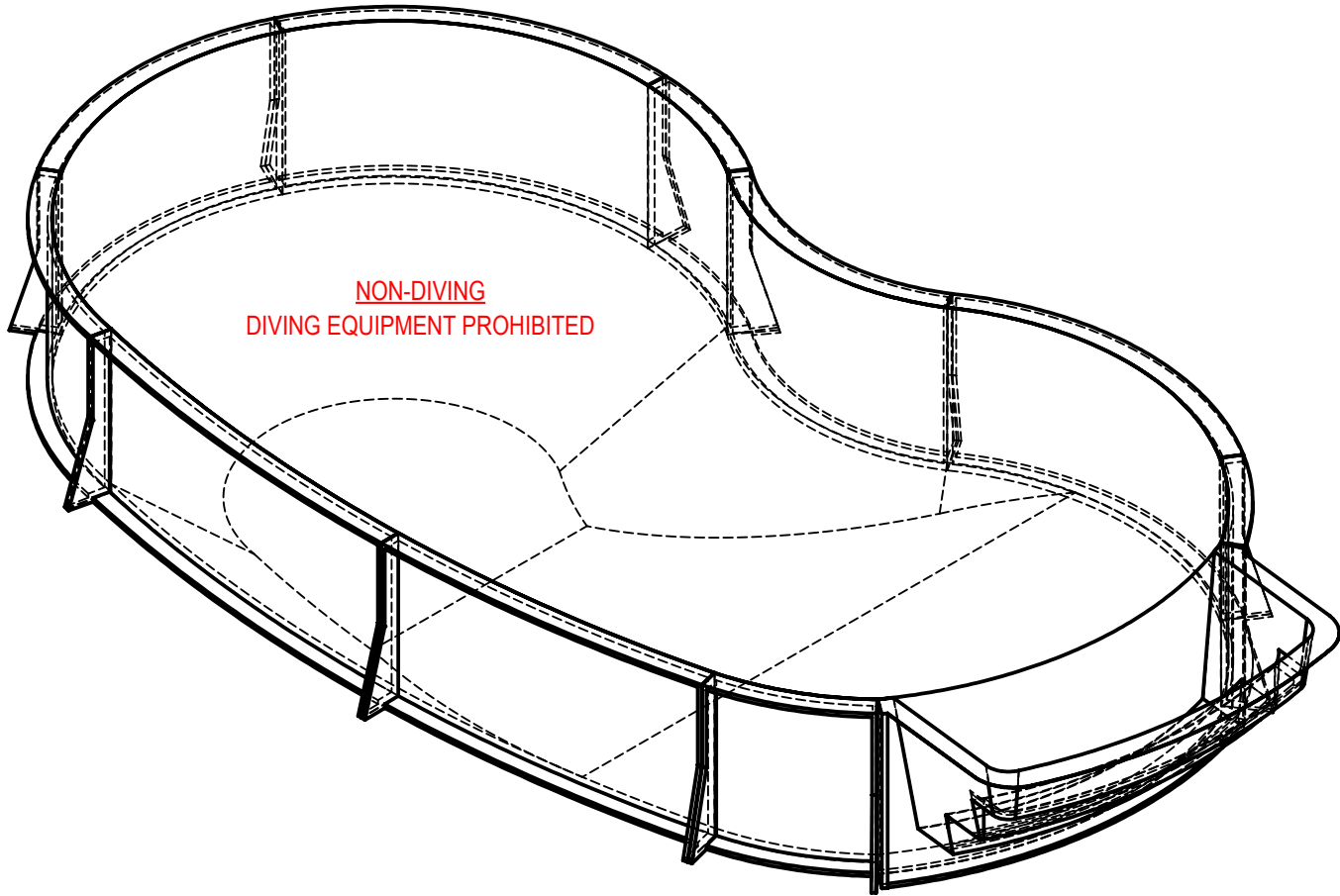
EXCAVATION NOTES:

5. ROUGH EXCAVATION SHOULD BE 2" DEEPER IN EACH INSTANCE.
6. SOIL TO HAVE MINIMUM BEARING CAPACITY OF 1500 PSF.
7. LOCATE TOP OF POOL AT LEAST 6" ABOVE THE SURROUNDING LAND ELEVATION.
8. SEE "OVER DIG DETAIL" FOR EXCAVATION AROUND POOL.
9. FILL VOIDS UNDER BASE OF PANELS AND TAMP WELL.
10. BACK FILL WITH NON-EXPANSIVE MATERIAL.
11. FOLLOW ALL CURRENT ANSI / APSP / ICC GUIDELINES FOR RESIDENTIAL POOLS


IMPORTANT NOTES:

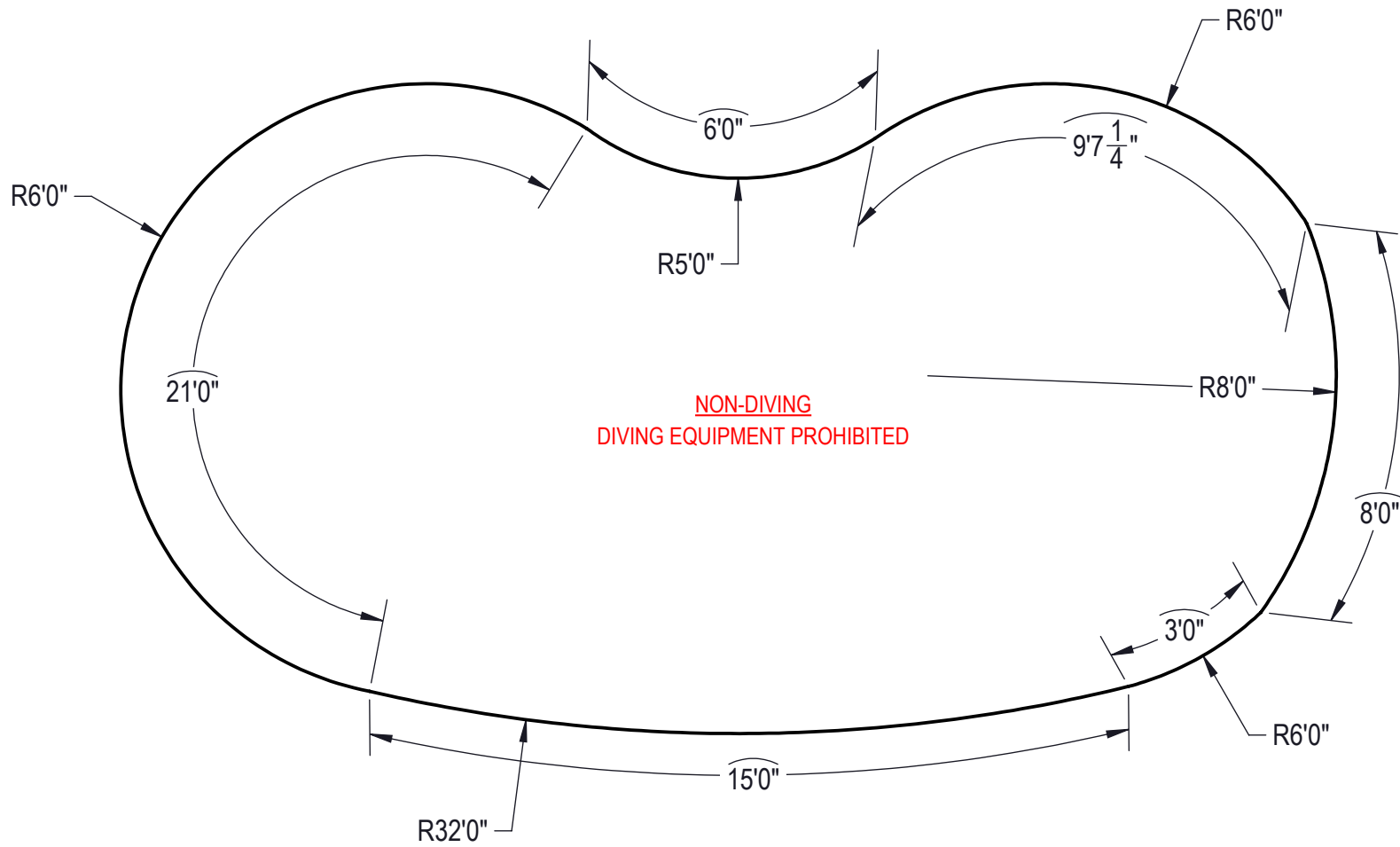
THIS DOCUMENT IS FOR ILLUSTRATIVE PURPOSES ONLY. THE DEALER OR CONTRACTOR WHO SELLS OR INSTALLS YOUR POOL IS AN INDEPENDENT CONTRACTOR AND IS NOT AN AGENT OF THE MANUFACTURER. THE CONSTRUCTION METHODS ILLUSTRATED HERE ARE SUGGESTIONS AND APPLY ONLY TO NORMAL GROUND CONDITIONS. THERE MAY BE ADDITIONAL PRECAUTIONS AND/OR METHODS OF CONSTRUCTION. PROPER INSTALLATION IS THE RESPONSIBILITY OF THE DEALER/BUILDER/CONTRACTOR.

ENGINEERING DRAWING NUMBER: 00017493	WEIGHT: 68679.384 lbs	UNLESS OTHERWISE SPECIFIED DIMENSIONS ARE IN INCHES TOLERANCES DECIMALS: X ± .1 XX ± .01 XXX ± .001 XXXX ± .0005 ANGULAR: X ± 0.5 THIRD ANGLE PROJECTION 	DESIGNED BY: BUMPHREY	CREATION DATE: 4/19/2013	HYDRA POOLS TITLE: LAYOUT, 12' X 24', KIDNEY, RIGHT, 6' DEEP, HS106N, LIGHT, 1084, 3-INLET, 600 SERIES
	VOLUME: 1901039.354 Inch ³		DETAILED BY: BUMPHREY	DETAILED DATE: 2/1/2018	
	COLOR:		LAST REVISED BY: bumphrey	LAST REVISED DATE: 2/1/2018	
	HEAT TREAT: NA		MATERIAL: Material <not specified>		
FINISH: NA					PART NUMBER: 00017493
TEXTURE: NA					SCALE: 1:96
					SHEET: 2 OF 4
					SIZE: A



NON-DIVING
DIVING EQUIPMENT PROHIBITED

ENGINEERING DRAWING NUMBER: 00017493	WEIGHT: "SW-" Material@00002000 CSLDPR1"	UNLESS OTHERWISE SPECIFIED DIMENSIONS ARE IN INCHES TOLERANCES DECIMALS: X ± .1 XX ± .01 XXX ± .001 XXXX ± .0005 ANGULAR: X ± 0.5 THIRD ANGLE PROJECTION 	DESIGNED BY: BUMPHREY	CREATION DATE: 4/19/2013	HYDRA POOLS TITLE: LAYOUT, 12' X 24', KIDNEY, RIGHT, 6' DEEP, HS106N, LIGHT, 1084, 3-INLET, 600 SERIES	
	HEAT TREAT: NA		FINISHED BY: BUMPHREY	DETAILED DATE: 2/1/2018		
	FINISH: NA		LAST REVISED BY: bumphrey	LAST REVISED DATE: 2/1/2018		
	TEXTURE: NA		MATERIAL: "SW-Material@00002000.SLDPR1"			
			PART NUMBER: 00017493		SCALE: 1:96	SIZE: A
					SHEET: 3 OF 4	



ENGINEERING DRAWING NUMBER: 00017493	WEIGHT: 68679.384 lbs	UNLESS OTHERWISE SPECIFIED DIMENSIONS ARE IN INCHES TOLERANCES DECIMALS: X ± .1 XX ± .01 XXX ± .001 XXXX ± .0005 ANGULAR: X ± 0.5 THIRD ANGLE PROJECTION 	DESIGNED BY: BUMPHREY	CREATION DATE: 4/19/2013	HYDRA POOLS TITLE: LAYOUT, 12' X 24', KIDNEY, RIGHT, 6' DEEP, HS106N, LIGHT, 1084, 3-INLET, 600 SERIES		
	VOLUME: 1901039.354 Inch ³		DETAILED BY: BUMPHREY	DETAILED DATE: 2/1/2018			
	COLOR: NA		LAST REVISED BY: bumphrey	LAST REVISED DATE: 2/1/2018			
	HEAT TREAT: NA		MATERIAL: Material <not specified>		PART NUMBER:	SCALE: 1:96	SIZE: A
	FINISH: NA		00017493			SHEET: 4 OF 4	
	TEXTURE: NA						