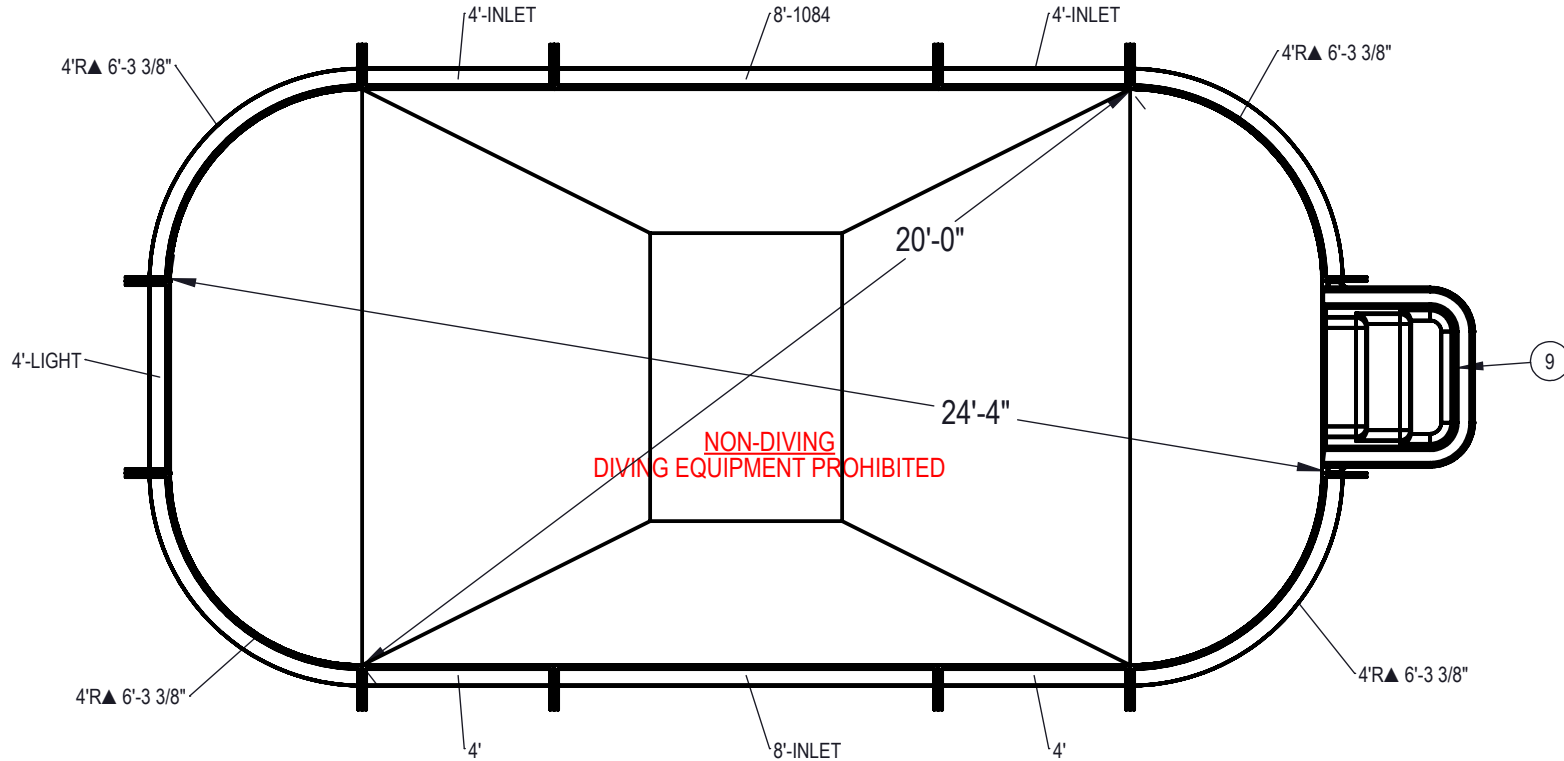


| REVISION HISTORY | | | | |
|------------------|-------------|------|-----|----|
| REV. | DESCRIPTION | DATE | ECO | BY |
| | | | | |



NOTES:

1. THESE ARE FINISHED DIMENSIONS READY FOR THE LINER.
2. DIMENSIONS ARE FROM INSIDE POOL PANELS.
3. ROPE AND FLOAT ASSEMBLY SHOULD BE INSTALLED IN ACCORDANCE WITH CURRENT ANSI/ASPS/ICC REGULATIONS
4. HYDRA LINER TRACK FOR STEPS IS INSTALLED WITH THE BARB FACING THE RISER WALL ON THE STEP.

EXCAVATION NOTES:

5. ROUGH EXCAVATION SHOULD BE 2" DEEPER IN EACH INSTANCE.
6. SOIL TO HAVE MINIMUM BEARING CAPACITY OF 1500 PSF.
7. LOCATE TOP OF POOL AT LEAST 6" ABOVE THE SURROUNDING LAND ELEVATION.
8. SEE "OVER DIG DETAIL" FOR EXCAVATION AROUND POOL.
9. FILL VOIDS UNDER BASE OF PANELS AND TAMP WELL.
10. BACK FILL WITH NON-EXPANSIVE MATERIAL.
11. FOLLOW ALL CURRENT ANSI / APSP / ICC GUIDELINES FOR RESIDENTIAL POOLS

IMPORTANT NOTES:

THIS DOCUMENT IS FOR ILLUSTRATIVE PURPOSES ONLY. THE DEALER OR CONTRACTOR WHO SELLS OR INSTALLS YOUR POOL IS AN INDEPENDENT CONTRACTOR AND IS NOT AN AGENT OF THE MANUFACTURER. THE CONSTRUCTION METHODS ILLUSTRATED HERE ARE SUGGESTIONS AND APPLY ONLY TO NORMAL GROUND CONDITIONS. THERE MAY BE ADDITIONAL PRECAUTIONS AND/OR METHODS OF CONSTRUCTION. PROPER INSTALLATION IS THE RESPONSIBILITY OF THE DEALER/BUILDER/CONTRACTOR.

| ITEM | FILE NAME | DESCRIPTION | CUSTOMER DRAWING # | VENDOR PART # | QTY |
|------|-----------------|---|--------------------|---------------|-----|
| 1 | BOLT, PACK | BOLT, FLANGE, 3/8-16 X 1", PACK (50) | HPS1916 | HPS1916 | 3 |
| 2 | SBRACE | BRACE, FOLD OVER WITH TURNBUCKLE, STEEL, HPSFOB | HPSFOB | HPSFOB | 12 |
| 3 | PANEL, STRAIGHT | PANEL, 4' LONG, 700 SERIES | HPSE104P | 00002723 | 2 |
| 4 | PANEL, STRAIGHT | PANEL, 4' LONG, INLET, 700 SERIES | HPSE104I | 00006739 | 2 |
| 5 | PANEL, STRAIGHT | PANEL, 4' LONG, LIGHT, 700 SERIES | HPSCS5 | 00008333 | 1 |
| 6 | PANEL, RADIUS | PANEL, 4' RADIUS, 6'-3 3/8" LONG, 700 SERIES | HPSE4R | 00002458 | 4 |
| 7 | PANEL, STRAIGHT | PANEL, 8' LONG, 1084, 700 SERIES | HPSE10884 | 00004966 | 1 |
| 8 | PANEL, STRAIGHT | PANEL, 8' LONG, INLET, 700 SERIES | HPSE108I | 00004969 | 1 |
| 9 | HS102N | STEP, 4' STRAIGHT, 3 TREAD | HS102N | HS102N | 1 |

ENGINEERING DRAWING NUMBER:
00017557

WEIGHT: 86084.0 lbs
VOLUME: Inch³
COLOR:
HEAT TREAT:
FINISH:
TEXTURE:

UNLESS OTHERWISE SPECIFIED
DIMENSIONS ARE IN INCHES
TOLERANCES
DECIMALS: X ± .1
 XX ± .01
 XXX ± .001
 XXXX ± .0005
ANGULAR: X ± 0.5
THIRD ANGLE PROJECTION

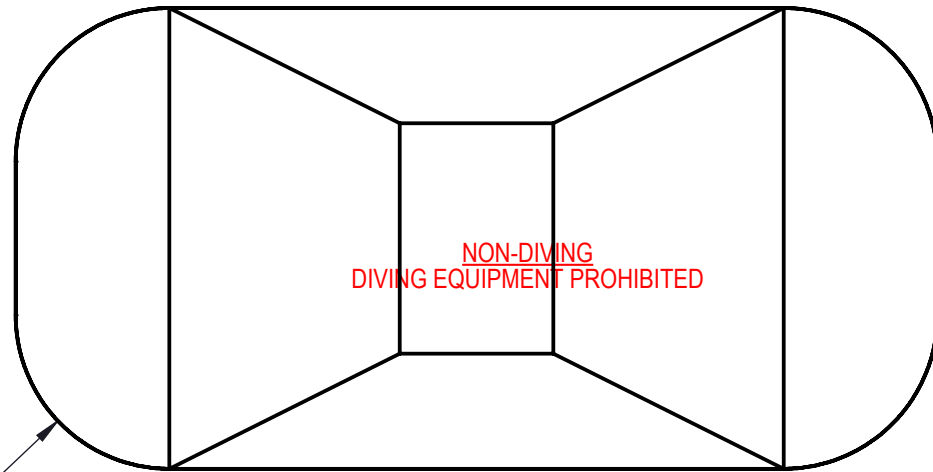
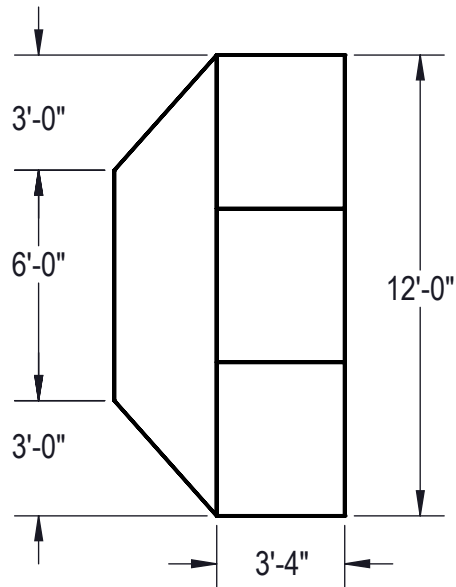
DESIGNED BY: BUMPHREY
CREATION DATE: 4/6/2015
DETAILED BY: BUMPHREY
DETAILED DATE: 2/8/2018
LAST REVISED BY: bumphrey
LAST REVISED DATE: 2/8/2018
MATERIAL:

HYDRA POOLS

TITLE: LAYOUT, 12' X 24', RECTANGLE, 6' DEEP, 4' RADIUS, SPORT BOTTOM, HS102N, LIGHT, 1084, 3-INLET, 700 SERIES

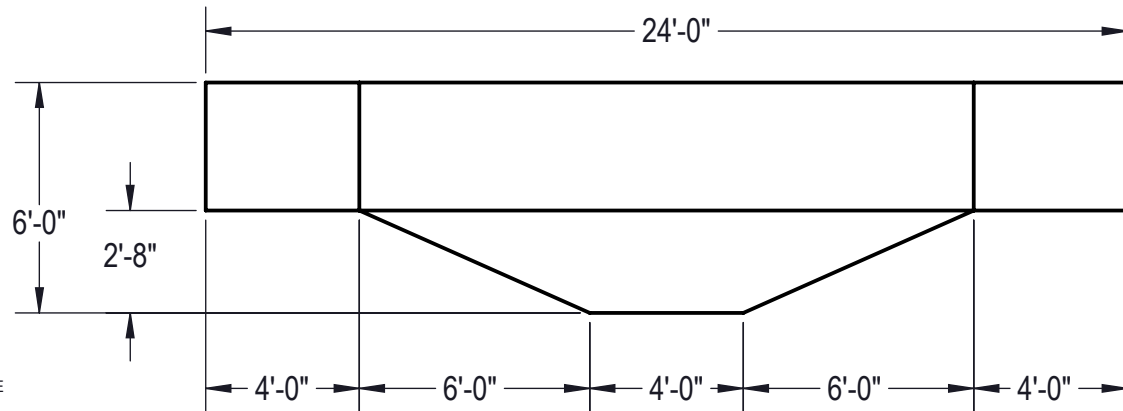
PART NUMBER: 00017557

SCALE: 1:48
SHEET: 1 OF 3
SIZE: A



R4'-0"
4 PLCS.

Area: 274.27ft ^2
Perimeter: 65.13ft
Volume = 8754 US gallons



NOTES:

1. THESE ARE FINISHED DIMENSIONS READY FOR THE LINER.
2. DIMENSIONS ARE FROM INSIDE POOL PANELS.
3. ROPE AND FLOAT ASSEMBLY SHOULD BE INSTALLED IN ACCORDANCE WITH CURRENT ANSI/ASPS/ICC REGULATIONS
4. HYDRA LINER TRACK FOR STEPS IS INSTALLED WITH THE BARB FACING THE RISER WALL ON THE STEP.

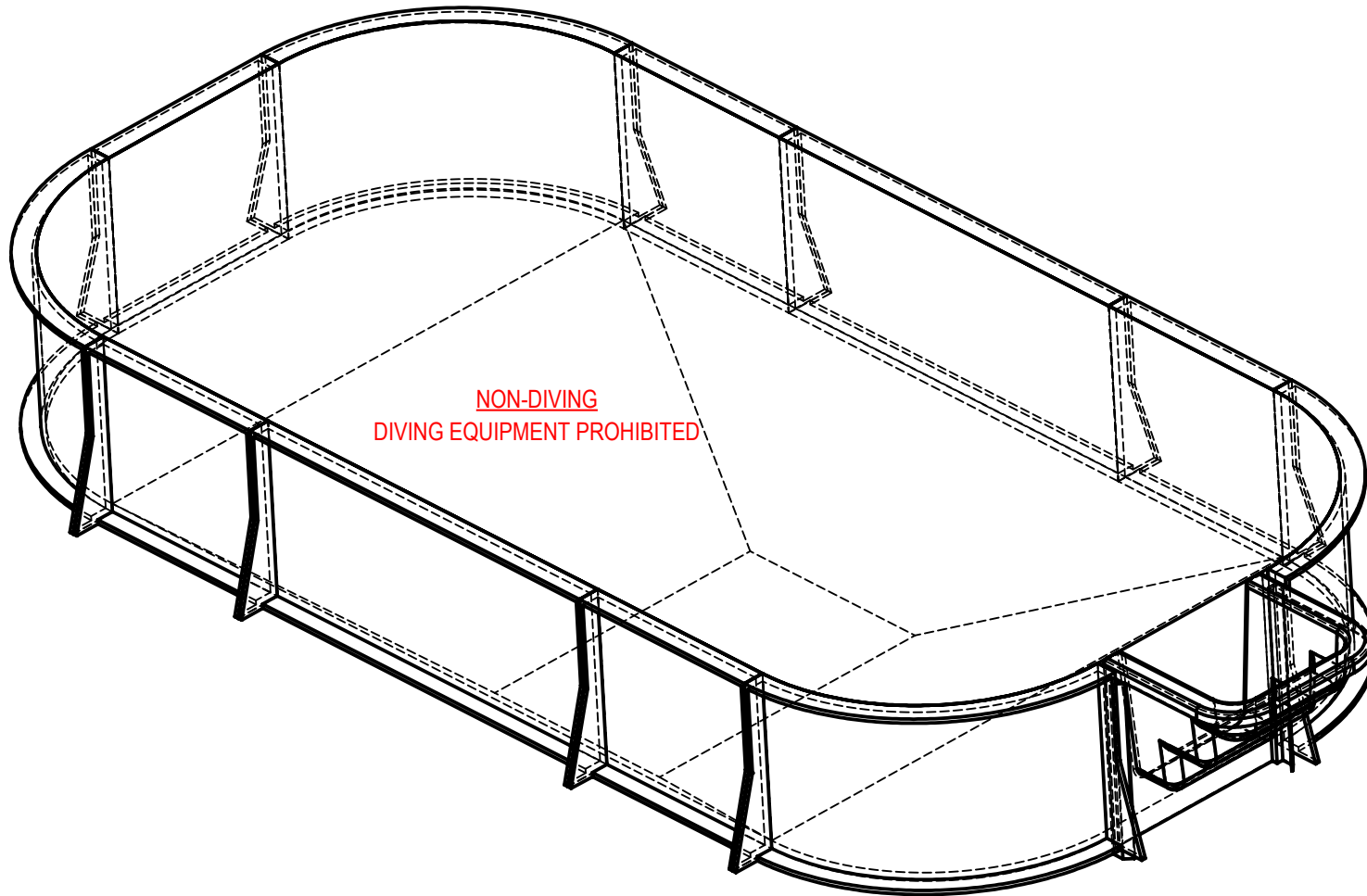
EXCAVATION NOTES:

5. ROUGH EXCAVATION SHOULD BE 2" DEEPER IN EACH INSTANCE.
6. SOIL TO HAVE MINIMUM BEARING CAPACITY OF 1500 PSF.
7. LOCATE TOP OF POOL AT LEAST 6" ABOVE THE SURROUNDING LAND ELEVATION.
8. SEE "OVER DIG DETAIL" FOR EXCAVATION AROUND POOL.
9. FILL VOIDS UNDER BASE OF PANELS AND TAMP WELL.
10. BACK FILL WITH NON-EXPANSIVE MATERIAL.
11. FOLLOW ALL CURRENT ANSI / APS / ICC GUIDELINES FOR RESIDENTIAL POOLS


IMPORTANT NOTES:

THIS DOCUMENT IS FOR ILLUSTRATIVE PURPOSES ONLY. THE DEALER OR CONTRACTOR WHO SELLS OR INSTALLS YOUR POOL IS AN INDEPENDENT CONTRACTOR AND IS NOT AN AGENT OF THE MANUFACTURER. THE CONSTRUCTION METHODS ILLUSTRATED HERE ARE SUGGESTIONS AND APPLY ONLY TO NORMAL GROUND CONDITIONS. THERE MAY BE ADDITIONAL PRECAUTIONS AND/OR METHODS OF CONSTRUCTION. PROPER INSTALLATION IS THE RESPONSIBILITY OF THE DEALER/BUILDER/CONTRACTOR.

| | | | | | | |
|--|---------------------------------|---|------------------------------|--------------------------------|--|--|
| ENGINEERING DRAWING NUMBER: 00017557 | WEIGHT: 73054.320 lbs | UNLESS OTHERWISE SPECIFIED DIMENSIONS ARE IN INCHES TOLERANCES DECIMALS: X ± .1 XX ± .01 XXX ± .001 XXXX ± .0005 ANGULAR: X ± 0.5 THIRD ANGLE PROJECTION | DESIGNED BY: BUMPHREY | CREATION DATE: 3/22/2013 | HYDRA POOLS | |
| | VOLUME: 2022137.179 Inch³ | | DETAILED BY: BUMPHREY | DETAILED DATE: 2/8/2018 | | |
| | COLOR: NA | | LAST REVISED BY: bumphrey | LAST REVISED DATE: 2/8/2018 | TITLE: LAYOUT, 12' X 24', RECTANGLE, 6' DEEP, 4' RADIUS, SPORT BOTTOM, HS102N, LIGHT, 1084, 3-INLET, 700 SERIES | |
| | HEAT TREAT: NA | | MATERIAL: Water | | | |
| FINISH: NA | | | | | SHEET: 2 OF 3 | |
| TEXTURE: NA | | | | | | |



NON-DIVING
DIVING EQUIPMENT PROHIBITED

| | | | | | | |
|--|------------------------------|---|------------------------------|--------------------------------|--|--|
| ENGINEERING DRAWING NUMBER: 00017557 | WEIGHT: 86084.0 lbs | UNLESS OTHERWISE SPECIFIED DIMENSIONS ARE IN INCHES TOLERANCES DECIMALS: X ± .1 XX ± .01 XXX ± .001 XXXX ± .0005 ANGULAR: X ± 0.5 THIRD ANGLE PROJECTION  | DESIGNED BY: BUMPHREY | CREATION DATE: 4/6/2015 | HYDRA POOLS | |
| | VOLUME: Inch ³ | | DETAILED BY: BUMPHREY | DETAILED DATE: 2/8/2018 | | |
| | COLOR: | | LAST REVISED BY: bumphrey | LAST REVISED DATE: 2/8/2018 | | |
| | HEAT TREAT: | | MATERIAL: | | TITLE: LAYOUT, 12' X 24', RECTANGLE, 6" DEEP, 4' RADIUS, SPORT BOTTOM, HS102N, LIGHT, 1084, 3-INLET, 700 SERIES | |
| | FINISH: | | | | | |
| | TEXTURE: | | | | | |
| | | PART NUMBER: | | SCALE: 1:36 | SIZE: A | |
| | | 00017557 | | SHEET: 3 OF 3 | | |