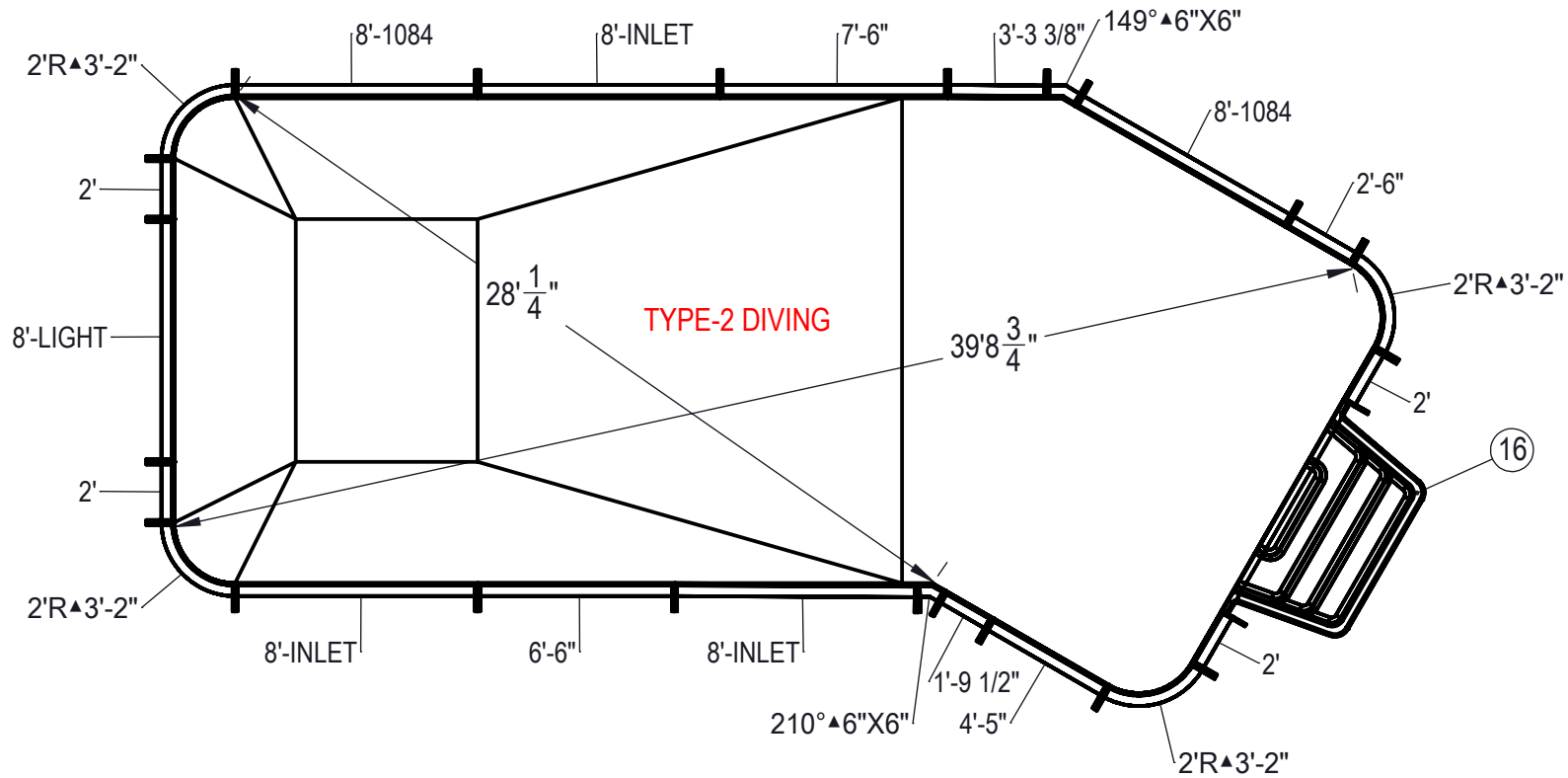


REVISION HISTORY				
REV.	DESCRIPTION	DATE	ECO	BY



**NOTES:**

- THESE ARE FINISHED DIMENSIONS READY FOR THE LINER.
- DIMENSIONS ARE FROM INSIDE POOL PANELS.
- ROPE AND FLOAT ASSEMBLY SHOULD BE INSTALLED IN ACCORDANCE WITH CURRENT ANSI/ASPS/ICC REGULATIONS
- HYDRA LINER TRACK FOR STEPS IS INSTALLED WITH THE BARB FACING THE RISER WALL ON THE STEP.

**EXCAVATION NOTES:**

- ROUGH EXCAVATION SHOULD BE 2" DEEPER IN EACH INSTANCE.
- SOIL TO HAVE MINIMUM BEARING CAPACITY OF 1500 PSF.
- LOCATE TOP OF POOL AT LEAST 6" ABOVE THE SURROUNDING LAND ELEVATION.
- SEE "OVER DIG DETAIL" FOR EXCAVATION AROUND POOL.
- FILL VOIDS UNDER BASE OF PANELS AND TAMP WELL.
- BACK FILL WITH NON-EXPANSIVE MATERIAL.
- FOLLOW ALL CURRENT ANSI / APSP / ICC GUIDELINES FOR RESIDENTIAL POOLS

**IMPORTANT NOTES:**

THIS DOCUMENT IS FOR ILLUSTRATIVE PURPOSES ONLY. THE DEALER OR CONTRACTOR WHO SELLS OR INSTALLS YOUR POOL IS AN INDEPENDENT CONTRACTOR AND IS NOT AN AGENT OF THE MANUFACTURER. THE CONSTRUCTION METHODS ILLUSTRATED HERE ARE SUGGESTIONS AND APPLY ONLY TO NORMAL GROUND CONDITIONS. THERE MAY BE ADDITIONAL PRECAUTIONS AND/OR METHODS OF CONSTRUCTION. PROPER INSTALLATION IS THE RESPONSIBILITY OF THE DEALER/BUILDER/CONTRACTOR.

ITEM	FILE NAME	DESCRIPTION	CUSTOMER DRAWING #	VENDOR PART #	QTY.
1	BOLT, PACK	BOLT, FLANGE, 3/8-16 X 1", PACK (50)	HPS1916	HPS1916	6
2	SBRACE	BRACE, FOLD OVER WITH TURNBUCKLE, STEEL, HPSFOB	HPSFOB	HPSFOB	23
3	PANEL, ANGLE	PANEL, ANGLE, 6" X 6" X 149°, 600 SERIES	HPSD6X6149	00001388	1
4	PANEL, ANGLE	PANEL, ANGLE, 6" X 6" X 210°, 600 SERIES	HPSDLLR	00001675	1
5	PANEL, STRAIGHT	PANEL, 1'-9 1/2" LONG, 600 SERIES	HPSCS2	00011454	1
6	PANEL, STRAIGHT	PANEL, 2' RADIUS, 3-2" LONG, 600 SERIES	HPSD102P	00000621	4
7	PANEL, STRAIGHT	PANEL, 2'-6" LONG, 600 SERIES	HPSD2R	00000287	4
8	PANEL, STRAIGHT	PANEL, 2'-6" LONG, 600 SERIES	HPSD26P	00002021	1
9	PANEL, STRAIGHT	PANEL, 3'-3 3/8" LONG, 600 SERIES	HPS3338	00001629	1
10	PANEL, STRAIGHT	PANEL, 4'-5" LONG, 600 SERIES	HPSCS5	00002169	1
11	PANEL, STRAIGHT	PANEL, 6'-6" LONG, 600 SERIES	HPSD1066P	00000678	1
12	PANEL, STRAIGHT	PANEL, 7'-6" LONG, 600 SERIES	HPSD1076P	00000682	1
13	PANEL, STRAIGHT	PANEL, 8' LONG, 1084, 600 SERIES	HPSD10884	00002006	2
14	PANEL, STRAIGHT	PANEL, 8' LONG, INLET, 600 SERIES	HPSD108I	00000699	3
15	PANEL, STRAIGHT	PANEL, 8' LONG, LIGHT, 600 SERIES	HPSD108L	00000701	1
16	HS110N	STEP, 8", TWIN SEAT, 4 TREAD	HS110N	HS110N	1

**UNLESS OTHERWISE SPECIFIED**  
 DIMENSIONS ARE IN INCHES  
 TOLERANCES  
 DECIMALS: X ± .1  
 XX ± .01  
 XXX ± .001  
 XXXX ± .0005  
 ANGULAR: X ± 0.5  
 THIRD ANGLE PROJECTION

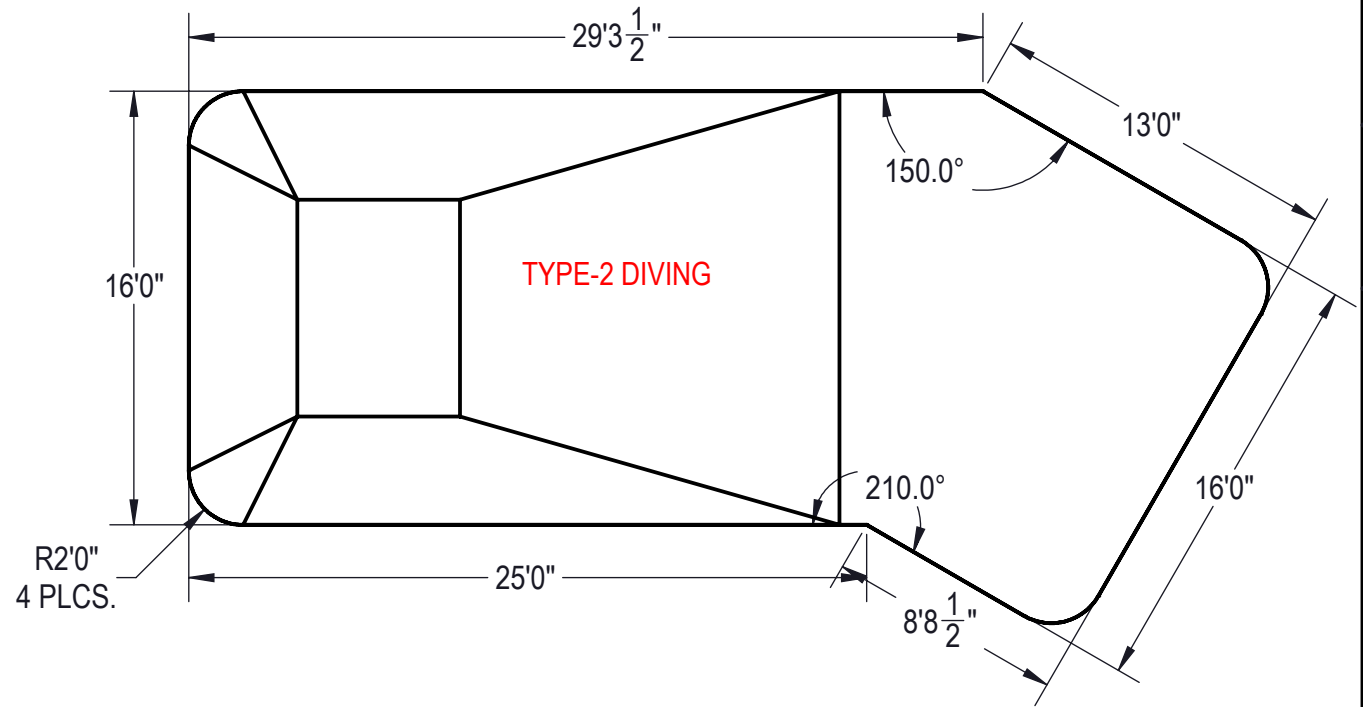
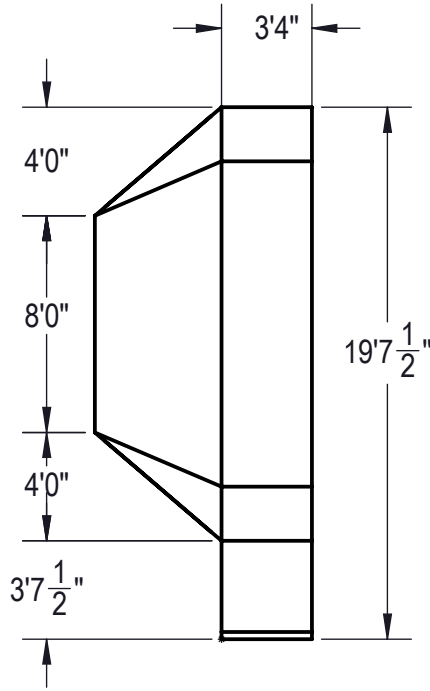
DESIGNED BY: BUMPFREY  
 8/15/2013  
 DETAILED BY: RSNVICENTE  
 1/31/2018  
 LAST REVISED BY: hyeng  
 1/31/2018  
 MATERIAL:

**HYDRA POOLS**

TITLE: LAYOUT, 16' X 39' LAZY L, LEFT, 2' RADIUS, 8' DEEP, HS110N, LIGHT, 3- INLET, 2- 1084, 600 SERIES

PART NUMBER: 00017464

SCALE: 1:192  
 SHEET: 1 OF 4  
 SIZE: A



**Area: 604.64ft ^2**  
**Perimeter: 104.58ft**  
**Volume = 21759 US gallons**

**NOTES:**

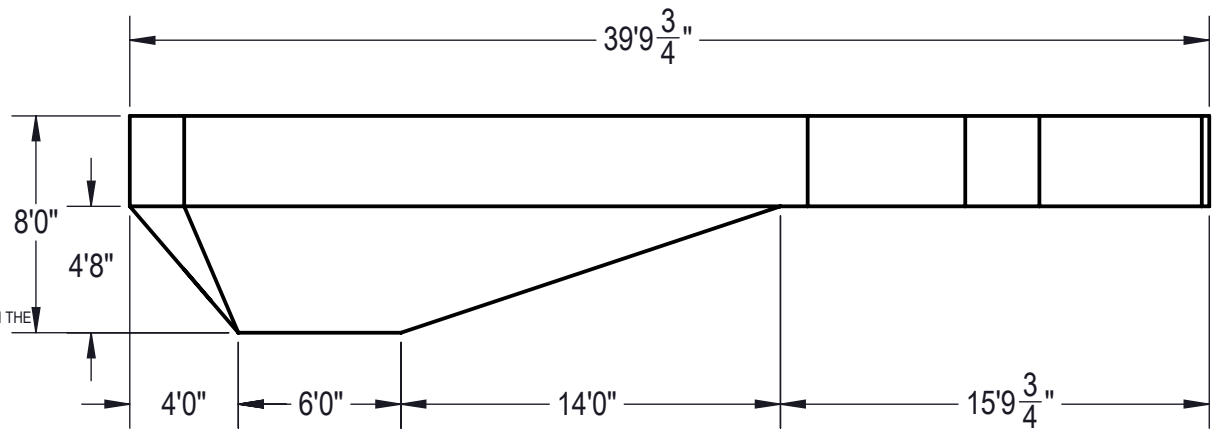
1. THESE ARE FINISHED DIMENSIONS READY FOR THE LINER.
2. DIMENSIONS ARE FROM INSIDE POOL PANELS.
3. ROPE AND FLOAT ASSEMBLY SHOULD BE INSTALLED IN ACCORDANCE WITH CURRENT ANSI/APSP/ICC REGULATIONS
4. HYDRA LINER TRACK FOR STEPS IS INSTALLED WITH THE BARB FACING THE RISER WALL ON THE STEP.

**EXCAVATION NOTES:**

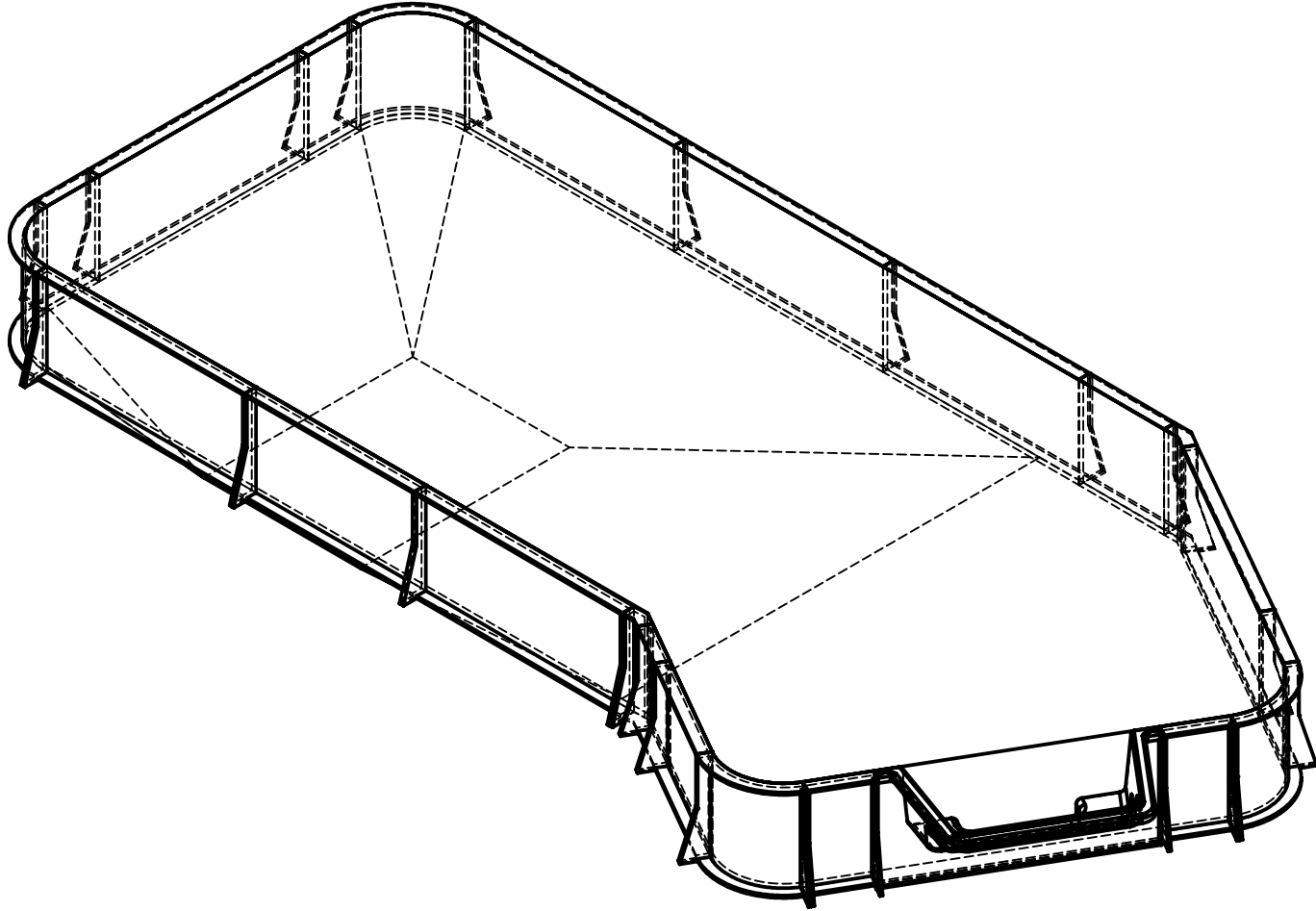
5. ROUGH EXCAVATION SHOULD BE 2" DEEPER IN EACH INSTANCE.
6. SOIL TO HAVE MINIMUM BEARING CAPACITY OF 1500 PSF.
7. LOCATE TOP OF POOL AT LEAST 6" ABOVE THE SURROUNDING LAND ELEVATION.
8. SEE "OVER DIG DETAIL" FOR EXCAVATION AROUND POOL.
9. FILL VOIDS UNDER BASE OF PANELS AND TAMP WELL.
10. BACK FILL WITH NON-EXPANSIVE MATERIAL.
11. FOLLOW ALL CURRENT ANSI / APSP / ICC GUIDELINES FOR RESIDENTIAL POOLS


**IMPORTANT NOTES:**

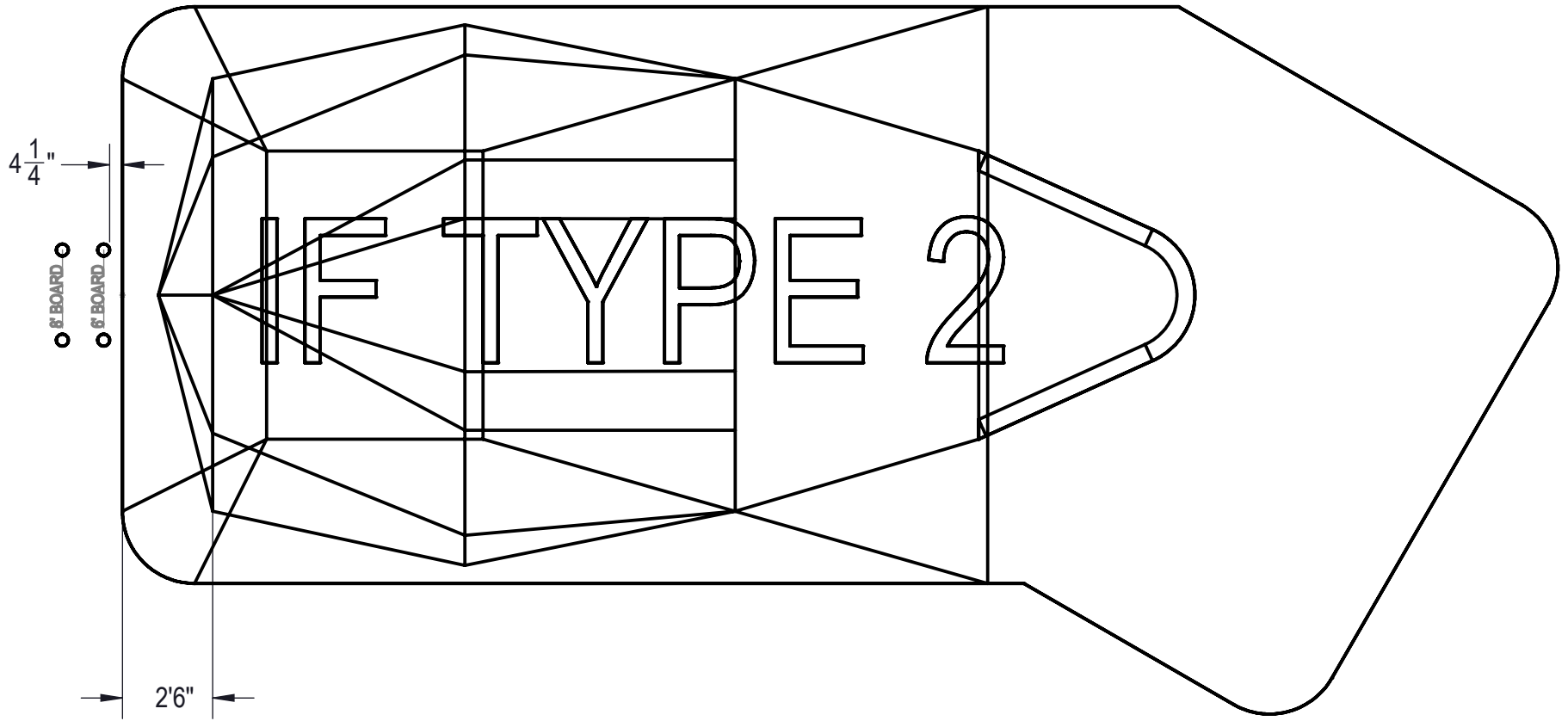
THIS DOCUMENT IS FOR ILLUSTRATIVE PURPOSES ONLY. THE DEALER OR CONTRACTOR WHO SELLS OR INSTALLS YOUR POOL IS AN INDEPENDENT CONTRACTOR AND IS NOT AN AGENT OF THE MANUFACTURER. THE CONSTRUCTION METHODS ILLUSTRATED HERE ARE SUGGESTIONS AND APPLY ONLY TO NORMAL GROUND CONDITIONS. THERE MAY BE ADDITIONAL PRECAUTIONS AND/OR METHODS OF CONSTRUCTION. PROPER INSTALLATION IS THE RESPONSIBILITY OF THE DEALER/BUILDER/CONTRACTOR.




ENGINEERING DRAWING NUMBER: <b>00017464</b>	WEIGHT: 181589.647 lbs	<b>UNLESS OTHERWISE SPECIFIED</b> DIMENSIONS ARE IN INCHES TOLERANCES DECIMALS: X ± .1 XX ± .01 XXX ± .001 XXXX ± .0005  ANGULAR: X ± 0.5 THIRD ANGLE PROJECTION	DESIGNED BY: <b>BUMPHREY</b>	CREATION DATE: 8/15/2013	<b>HYDRA POOLS</b>	
	VOLUME: 5026385.549 Inch³		DETAILED BY: <b>RSANVICENTE</b>	DETAILED DATE: 1/31/2018		
	COLOR: NA		LAST REVISED BY: <b>hyeng</b>	LAST REVISED DATE: 1/31/2018	TITLE: LAYOUT, 16' X 39' LAZY L, LEFT, 2' RADIUS, 8" DEEP, HS110N, LIGHT, 3- INLET, 2- 1084, 600 SERIES	
	HEAT TREAT: NA		MATERIAL: Water	PART NUMBER: <b>00017464</b>		
FINISH: NA					SHEET: 2 OF 4	
TEXTURE: NA						



ENGINEERING DRAWING NUMBER: <b>00017464</b>	WEIGHT: 294097.1 lbs	<b>UNLESS OTHERWISE SPECIFIED</b> DIMENSIONS ARE IN INCHES TOLERANCES DECIMALS: X ± .1 XX ± .01 XXX ± .001 XXXX ± .0005  ANGULAR: X ± 0.5 THIRD ANGLE PROJECTION 	DESIGNED BY: BUMPHREY	CREATION DATE: 8/15/2013	<b>HYDRA POOLS</b>  TITLE: LAYOUT, 16' X 39' LAZY L, LEFT, 2' RADIUS, 8' DEEP, HS110N, LIGHT, 3- INLET, 2- 1084, 600 SERIES
	VOLUME: Inch <sup>3</sup>		DETAILED BY: RSANVICENTE	DETAILED DATE: 1/31/2018	
	COLOR:		LAST REVISED BY: hyeng	LAST REVISED DATE: 1/31/2018	
	HEAT TREAT:		MATERIAL:		
	FINISH:		PART NUMBER:		
	TEXTURE:		<b>00017464</b>		
			SCALE: 1:192	SIZE: <b>A</b>	
			SHEET: 3 OF 4		



ENGINEERING DRAWING NUMBER: <b>00017464</b>	WEIGHT: 294097.1 lbs	<b>UNLESS OTHERWISE SPECIFIED</b> DIMENSIONS ARE IN INCHES TOLERANCES DECIMALS: X ± .1 XX ± .01 XXX ± .001 XXXX ± .0005  ANGULAR: X ± 0.5 THIRD ANGLE PROJECTION 	DESIGNED BY: BUMPHREY	CREATION DATE: 8/15/2013	<b>HYDRA POOLS</b>	
	VOLUME: Inch <sup>3</sup>		DETAILED BY: RSANVICENTE	DETAILED DATE: 1/31/2018		
	COLOR:		LAST REVISED BY: hyeng	LAST REVISED DATE: 1/31/2018		
	HEAT TREAT:		MATERIAL:		TITLE: LAYOUT, 16' X 39' LAZY L, LEFT, 2' RADIUS, 8' DEEP, HS110N, LIGHT, 3- INLET, 2- 1084, 600 SERIES	
	FINISH:		PART NUMBER: <b>00017464</b>		SCALE: 1:192	<b>A</b>
	TEXTURE:				SHEET: 4 OF 4	