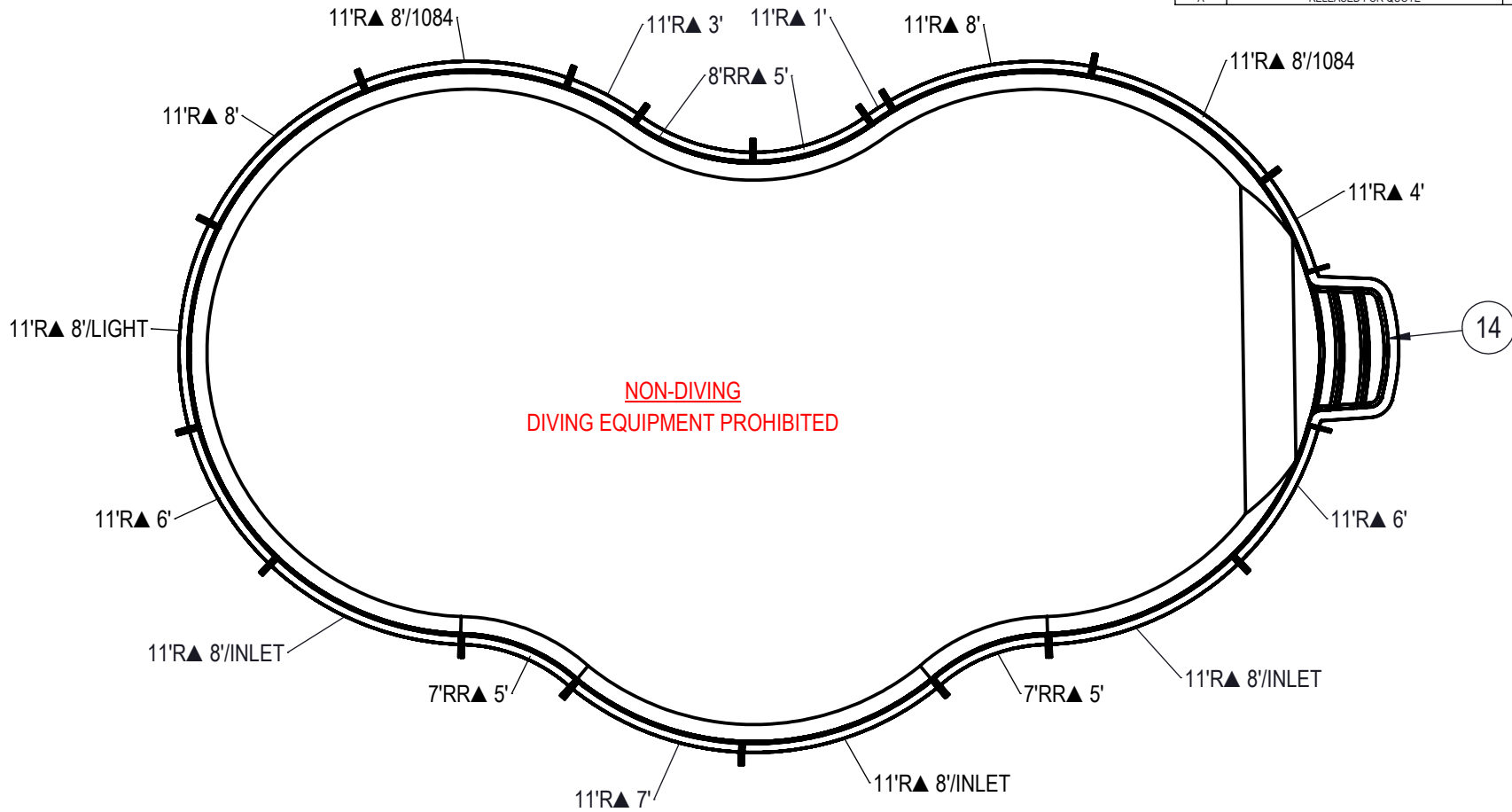


REVISION HISTORY				
REV.	DESCRIPTION	DATE	ECO	BY
A	RELEASED FOR QUOTE	1/15/2018		BUMPHREY



**NOTES:**

- THESE ARE FINISHED DIMENSIONS READY FOR THE LINER.
- DIMENSIONS ARE FROM INSIDE POOL PANELS.
- ROPE AND FLOAT ASSEMBLY SHOULD BE INSTALLED IN ACCORDANCE WITH CURRENT ANSI/ASPS/ICC REGULATIONS
- HYDRA LINER TRACK FOR STEPS IS INSTALLED WITH THE BARB FACING THE RISER WALL ON THE STEP.

**EXCAVATION NOTES:**

- ROUGH EXCAVATION SHOULD BE 2' DEEPER IN EACH INSTANCE.
- SOIL TO HAVE MINIMUM BEARING CAPACITY OF 1500 PSF.
- LOCATE TOP OF POOL AT LEAST 6" ABOVE THE SURROUNDING LAND ELEVATION.
- SEE "OVER DIG DETAIL" FOR EXCAVATION AROUND POOL.
- FILL VOIDS UNDER BASE OF PANELS AND TAMP WELL.
- BACK FILL WITH NON-EXPANSIVE MATERIAL.
- FOLLOW ALL CURRENT ANSI / APSP / ICC GUIDELINES FOR RESIDENTIAL POOLS

**IMPORTANT NOTES:**

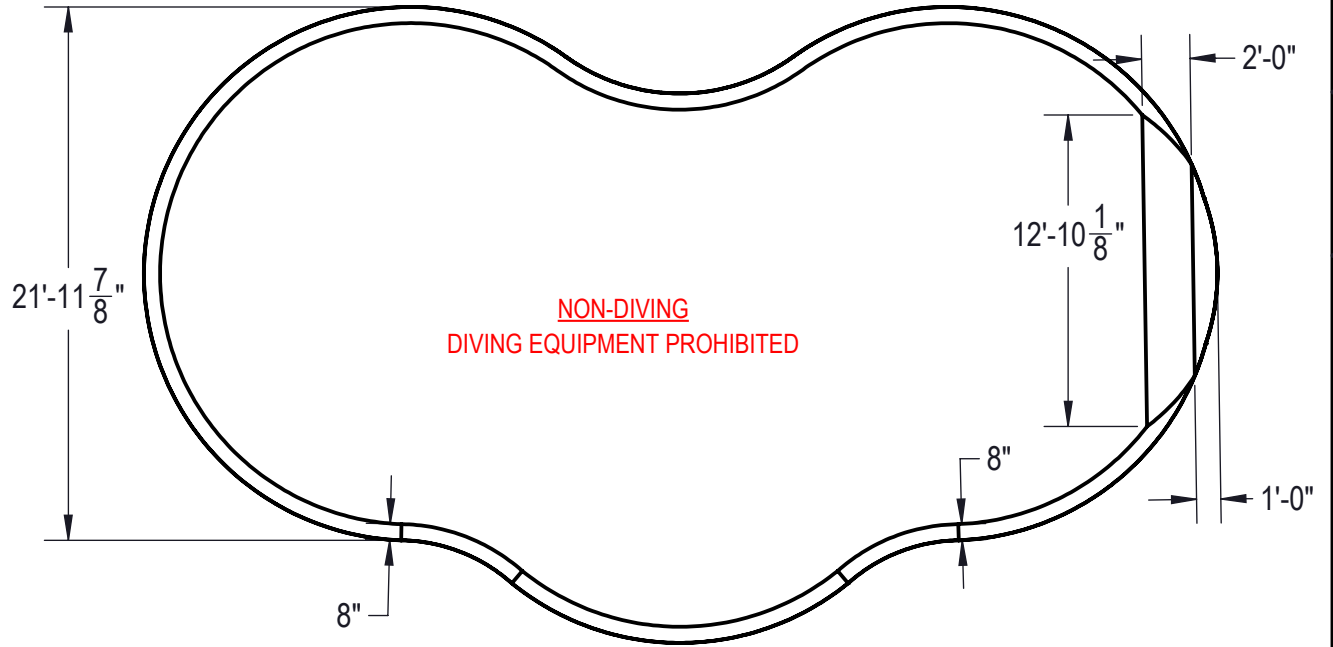
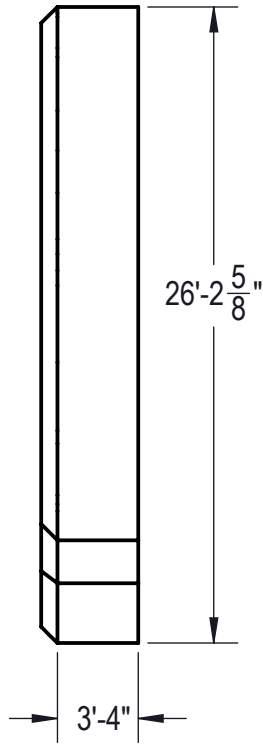
THIS DOCUMENT IS FOR ILLUSTRATIVE PURPOSES ONLY. THE DEALER OR CONTRACTOR WHO SELLS OR INSTALLS YOUR POOL IS AN INDEPENDENT CONTRACTOR AND IS NOT AN AGENT OF THE MANUFACTURER. THE CONSTRUCTION METHODS ILLUSTRATED HERE ARE SUGGESTIONS AND APPLY ONLY TO NORMAL GROUND CONDITIONS. THERE MAY BE ADDITIONAL PRECAUTIONS AND/OR METHODS OF CONSTRUCTION. PROPER INSTALLATION IS THE RESPONSIBILITY OF THE DEALER/BUILDER/CONTRACTOR.

ITEM	FILE NAME	DESCRIPTION	CUSTOMER DRAWING #	VENDOR PART #	QTY
1	BOLT, PACK	BOLT, FLANGE, 3/8-16 X 1", PACK (50)	HPS1916	HPS1916	5
2	SBRACE	BRACE, FOLD OVER WITH TURNBUCKLE, STEEL, HPSFOB	HPSFOB	HPSFOB	19
3	PANEL, RADIUS	PANEL, 11' RADIUS, 1' LONG, 600 SERIES	HPSD11R1	0000300	1
4	PANEL, RADIUS	PANEL, 11' RADIUS, 3' LONG, 600 SERIES	HPSD11R3	00001801	1
5	PANEL, RADIUS	PANEL, 11' RADIUS, 4' LONG, 600 SERIES	HPSD11R4	00001136	1
6	PANEL, RADIUS	PANEL, 11' RADIUS, 6' LONG, 600 SERIES	HPSD11R6	00001161	2
7	PANEL, RADIUS	PANEL, 11' RADIUS, 7' LONG, 600 SERIES	HPSD11R7	00001807	1
8	PANEL, RADIUS	PANEL, 11' RADIUS, 8' LONG, 600 SERIES	HPSD11R8	00001182	2
9	PANEL, RADIUS	PANEL, 11' RADIUS, 8' LONG, 1084, 600 SERIES	HPS11R884	00000248	2
10	PANEL, RADIUS	PANEL, 11' RADIUS, 8' LONG, INLET, 600 SERIES	HPSD11R8I	00000770	3
11	PANEL, RADIUS	PANEL, 11' RADIUS, 8' LONG, LIGHT, 600 SERIES	HPSD11R8L	00001196	1
12	PANEL, RR	PANEL, 7' REVERSE RADIUS, 5' LONG, 600 SERIES	HPSD7RR5	00001804	2
13	PANEL, RR	PANEL, 8' REVERSE RADIUS, 5' LONG, 600 SERIES	HPSD8RR5	00000143	2
14	HS303N	STEP, 9' RADIUS, 3 TREAD, CANTILEVER	HS303N	HS303N	1

ENGINEERING DRAWING NUMBER: <b>00017699</b>	WEIGHT: 241709.6 lbs	<b>UNLESS OTHERWISE SPECIFIED</b> DIMENSIONS ARE IN INCHES TOLERANCES DECIMALS: X ± .1 XX ± .01 XXX ± .001 XXXX ± .0005  ANGULAR: X ± 0.5 THIRD ANGLE PROJECTION
	VOLUME: Inch <sup>3</sup>	
	COLOR:	
	HEAT TREAT:	
	FINISH:	
	TEXTURE:	

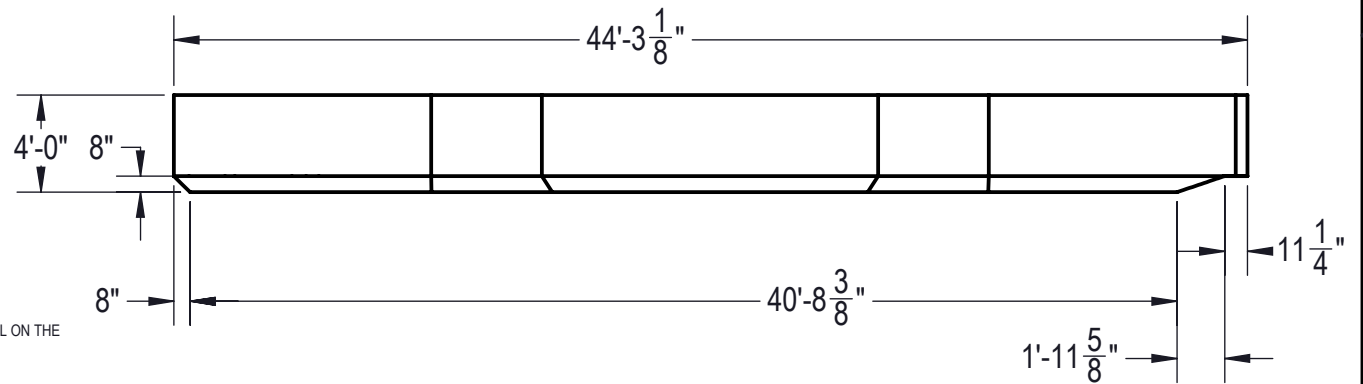
DESIGNED BY: <b>BUMPHREY</b>	CREATION DATE: 7/19/2013
DETAILED BY: <b>BUMPHREY</b>	DETAILED DATE: 2/26/2018
LAST REVISED BY: <b>bumphrey</b>	LAST REVISED DATE: 2/26/2018
MATERIAL:	

<b>HYDRA POOLS</b>	
TITLE: LAYOUT, 22' X 44', LAGOON, RIGHT, 4' DEEP, FLAT BOTTOM, HS311N, LIGHT, 2-1084, 3-INLET, 600 SERIES	
PART NUMBER: <b>00017699</b>	SCALE: 1:128 SHEET: 1 OF 4 SIZE: <b>A</b>



**NON-DIVING  
DIVING EQUIPMENT PROHIBITED**

**Area: 883.74ft ^2  
Perimeter: 117.00ft  
Volume = 26189 US gallons**



**NOTES:**

1. THESE ARE FINISHED DIMENSIONS READY FOR THE LINER.
2. DIMENSIONS ARE FROM INSIDE POOL PANELS.
3. ROPE AND FLOAT ASSEMBLY SHOULD BE INSTALLED IN ACCORDANCE WITH CURRENT ANSI/ASPS/ICC REGULATIONS
4. HYDRA LINER TRACK FOR STEPS IS INSTALLED WITH THE BARB FACING THE RISER WALL ON THE STEP.

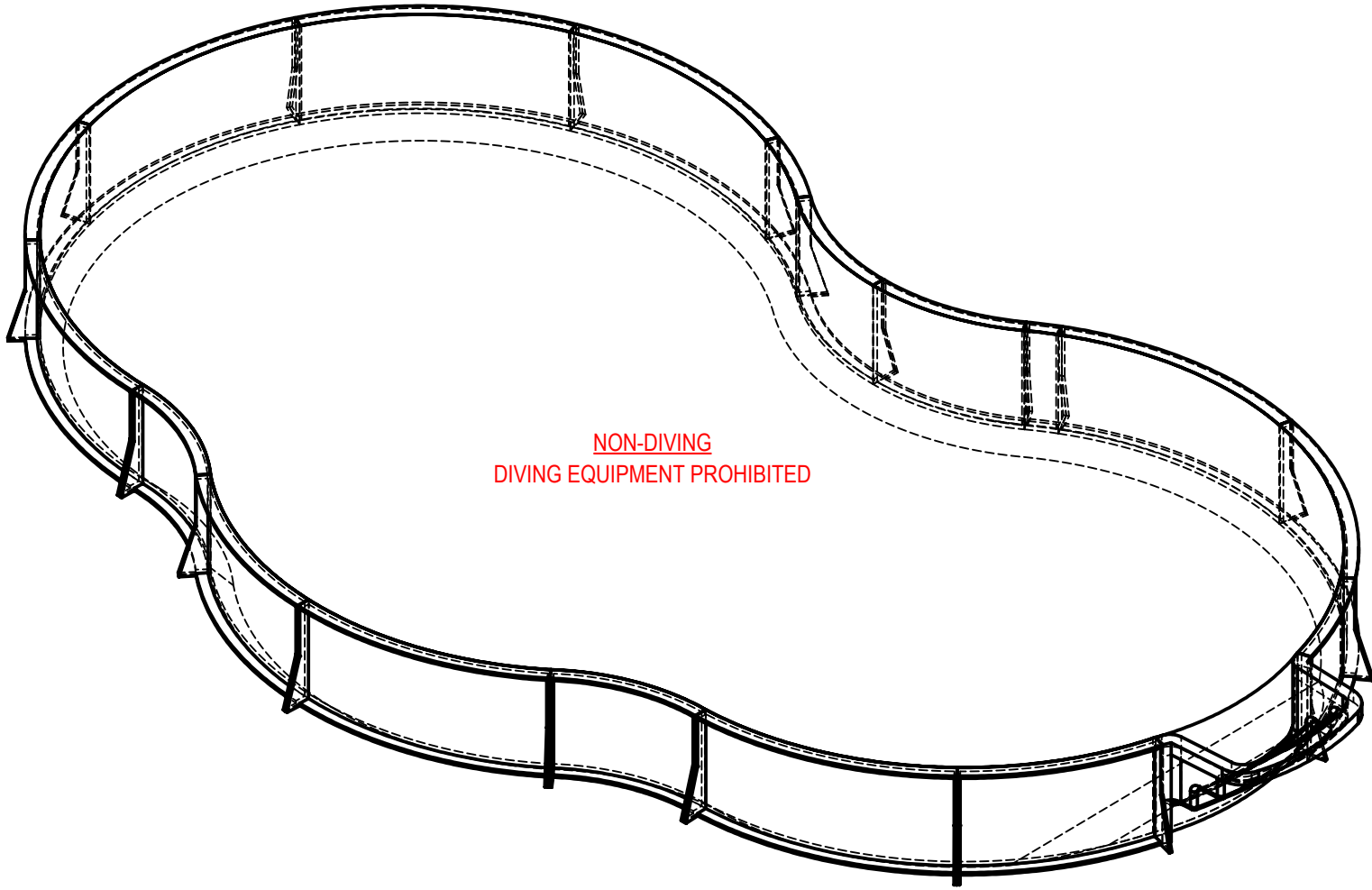
**EXCAVATION NOTES:**

5. ROUGH EXCAVATION SHOULD BE 2" DEEPER IN EACH INSTANCE.
6. SOIL TO HAVE MINIMUM BEARING CAPACITY OF 1500 PSF.
7. LOCATE TOP OF POOL AT LEAST 6" ABOVE THE SURROUNDING LAND ELEVATION.
8. SEE "OVER DIG DETAIL" FOR EXCAVATION AROUND POOL.
9. FILL VOIDS UNDER BASE OF PANELS AND TAMP WELL.
10. BACK FILL WITH NON-EXPANSIVE MATERIAL.
11. FOLLOW ALL CURRENT ANSI / APSP / ICC GUIDELINES FOR RESIDENTIAL POOLS

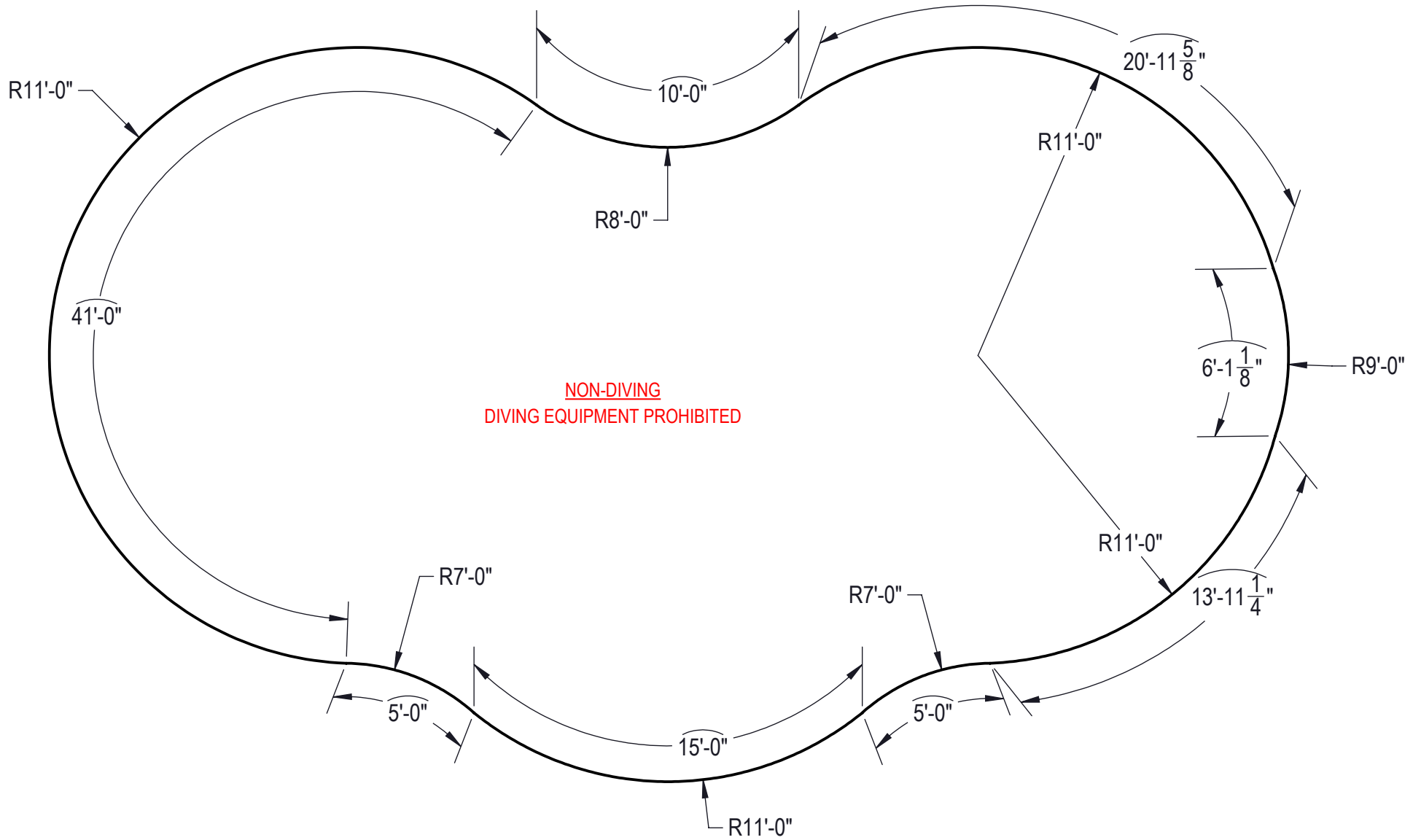
**IMPORTANT NOTES:**

THIS DOCUMENT IS FOR ILLUSTRATIVE PURPOSES ONLY. THE DEALER OR CONTRACTOR WHO SELLS OR INSTALLS YOUR POOL IS AN INDEPENDENT CONTRACTOR AND IS NOT AN AGENT OF THE MANUFACTURER. THE CONSTRUCTION METHODS ILLUSTRATED HERE ARE SUGGESTIONS AND APPLY ONLY TO NORMAL GROUND CONDITIONS. THERE MAY BE ADDITIONAL PRECAUTIONS AND/OR METHODS OF CONSTRUCTION. PROPER INSTALLATION IS THE RESPONSIBILITY OF THE DEALER/BUILDER/CONTRACTOR.

ENGINEERING DRAWING NUMBER: <b>00017699</b>	WEIGHT: lbs	<b>UNLESS OTHERWISE SPECIFIED</b> DIMENSIONS ARE IN INCHES TOLERANCES DECIMALS: X ± .1 XX ± .01 XXX ± .001 XXXX ± .0005  ANGULAR: X ± 0.5 THIRD ANGLE PROJECTION 	DESIGNED BY: BUMPHREY	CREATION DATE: 1/3/2012	<b>HYDRA POOLS</b>	
	VOLUME: Inch <sup>3</sup>		DETAILED BY: BUMPHREY	DETAILED DATE: 2/26/2018		
	COLOR: NA		LAST REVISED BY: bumphrey	LAST REVISED DATE: 2/26/2018	TITLE: LAYOUT, 22' X 44', LAGOON, RIGHT, 4' DEEP, FLAT BOTTOM, HS311N, LIGHT, 2-1084, 3-INLET, 600 SERIES	
	HEAT TREAT: NA		MATERIAL:			
	FINISH: NA		PART NUMBER: <b>00017699</b>			
TEXTURE: NA			SHEET: 2 OF 4			



ENGINEERING DRAWING NUMBER: <b>00017699</b>	WEIGHT: 241709.6 lbs	<b>UNLESS OTHERWISE SPECIFIED</b> DIMENSIONS ARE IN INCHES TOLERANCES DECIMALS: X ± .1 XX ± .01 XXX ± .001 XXXX ± .0005  ANGULAR: X ± 0.5 THIRD ANGLE PROJECTION 	DESIGNED BY: BUMPHREY	CREATION DATE: 7/19/2013	<b>HYDRA POOLS</b>
	VOLUME: Inch <sup>3</sup>		DETAILED BY: BUMPHREY	DETAILED DATE: 2/26/2018	
	COLOR:		LAST REVISED BY: bumphrey	LAST REVISED DATE: 2/26/2018	TITLE: LAYOUT, 22' X 44', LAGOON, RIGHT, 4' DEEP, FLAT BOTTOM, HS311N, LIGHT, 2-1084, 3-INLET, 600 SERIES
	HEAT TREAT:		MATERIAL:		
	FINISH:				
	TEXTURE:				
			PART NUMBER:	SCALE: 1:60	SIZE: A
			<b>00017699</b>	SHEET: 3 OF 4	



**NON-DIVING  
DIVING EQUIPMENT PROHIBITED**

ENGINEERING DRAWING NUMBER: <b>00017699</b>	WEIGHT:	<b>UNLESS OTHERWISE SPECIFIED</b> DIMENSIONS ARE IN INCHES TOLERANCES DECIMALS: X ± .1 XX ± .01 XXX ± .001 XXXX ± .0005  ANGULAR: X ± 0.5 THIRD ANGLE PROJECTION 	DESIGNED BY:	CREATION DATE:	<b>HYDRA POOLS</b>
	lbs		BUMPHREY	1/3/2012	
	VOLUME:		DETAILED BY:	DETAILED DATE:	TITLE: LAYOUT, 22' X 44', LAGOON, RIGHT, 4' DEEP, FLAT BOTTOM, HS311N, LIGHT, 2-1084, 3-INLET, 600 SERIES
	Inch <sup>3</sup>		BUMPHREY	2/26/2018	
	COLOR:		LAST REVISED BY:	LAST REVISED DATE:	
	NA		bumphrey	2/26/2018	
HEAT TREAT:	MATERIAL:	PART NUMBER:	SCALE:	SIZE:	
NA		<b>00017699</b>	1:60	<b>A</b>	
FINISH:			SHEET:		
NA			4 OF 4		
TEXTURE:					
NA					