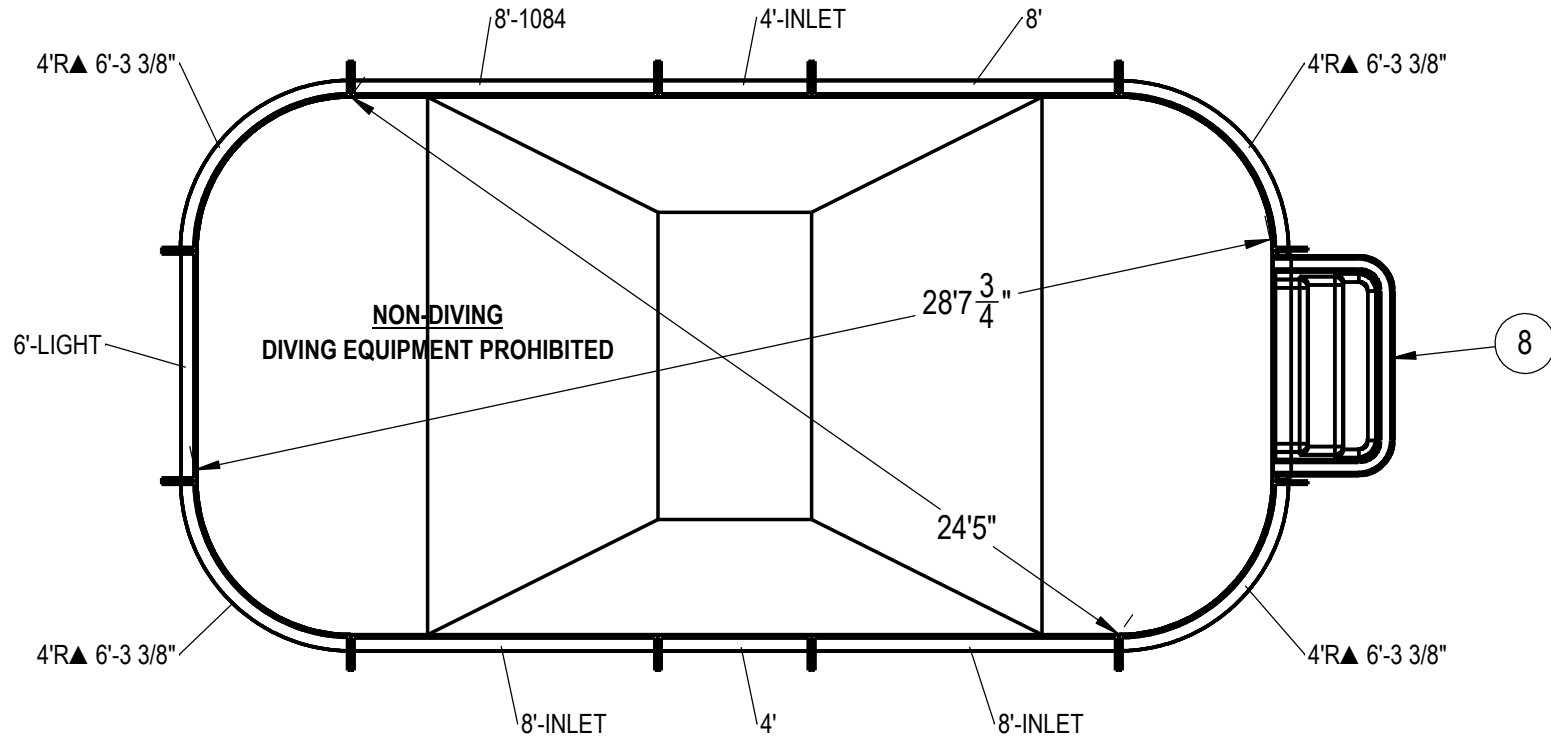


REVISION HISTORY				
REV.	DESCRIPTION	DATE	ECO	BY



NOTES:

- THESE ARE FINISHED DIMENSIONS READY FOR THE LINER.
- DIMENSIONS ARE FROM INSIDE POOL PANELS.
- ROPE AND FLOAT ASSEMBLY SHOULD BE INSTALLED IN ACCORDANCE WITH CURRENT ANSI/ASPS/ICC REGULATIONS
- HYDRA LINER TRACK FOR STEPS IS INSTALLED WITH THE BARB FACING THE RISER WALL ON THE STEP.

EXCAVATION NOTES:

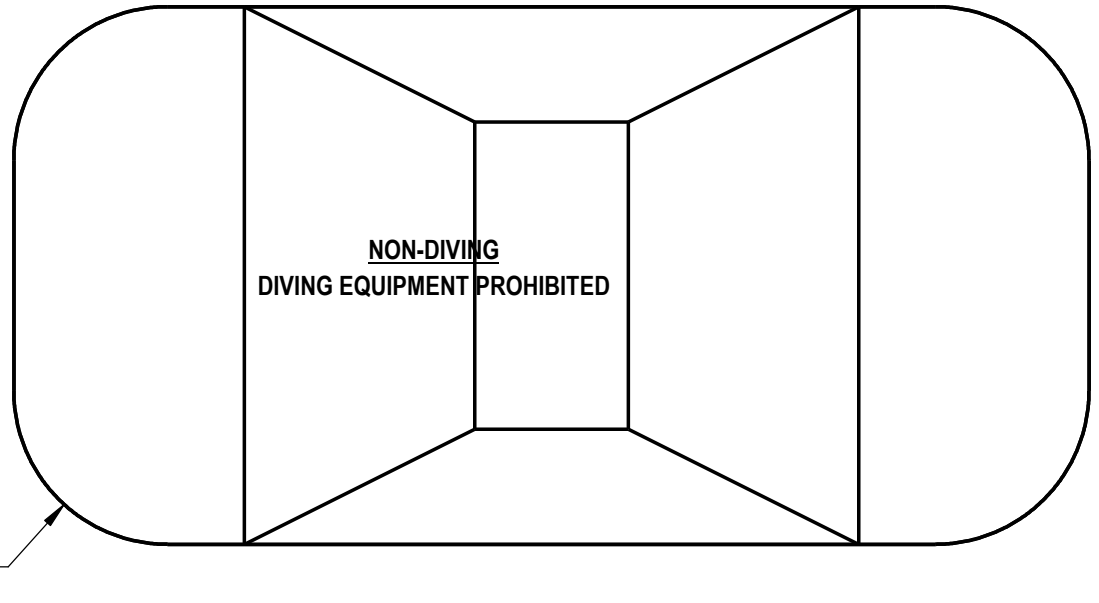
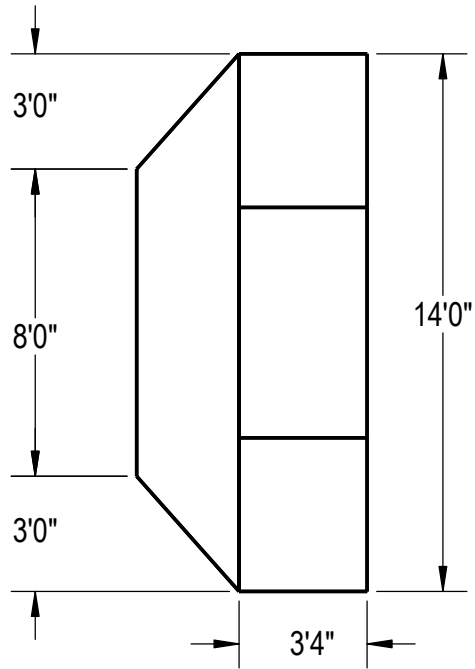
- ROUGH EXCAVATION SHOULD BE 2" DEEPER IN EACH INSTANCE.
- SOIL TO HAVE MINIMUM BEARING CAPACITY OF 1500 PSF.
- LOCATE TOP OF POOL AT LEAST 6" ABOVE THE SURROUNDING LAND ELEVATION.
- SEE "OVER DIG DETAIL" FOR EXCAVATION AROUND POOL.
- FILL VOIDS UNDER BASE OF PANELS AND TAMP WELL.
- BACK FILL WITH NON-EXPANSIVE MATERIAL.
- FOLLOW ALL CURRENT ANSI / ASP / ICC GUIDELINES FOR RESIDENTIAL POOLS

IMPORTANT NOTES:

THIS DOCUMENT IS FOR ILLUSTRATIVE PURPOSES ONLY. THE DEALER OR CONTRACTOR WHO SELLS OR INSTALLS YOUR POOL IS AN INDEPENDENT CONTRACTOR AND IS NOT AN AGENT OF THE MANUFACTURER. THE CONSTRUCTION METHODS ILLUSTRATED HERE ARE SUGGESTIONS AND APPLY ONLY TO NORMAL GROUND CONDITIONS. THERE MAY BE ADDITIONAL PRECAUTIONS AND/OR METHODS OF CONSTRUCTION. PROPER INSTALLATION IS THE RESPONSIBILITY OF THE DEALER/BUILDER/CONTRACTOR.

ITEM	FILE NAME	DESCRIPTION	CUSTOMER DRAWING #	VENDOR PART #	QTY.
1	PANEL, STRAIGHT	PANEL, 8' LONG, 1084, 700 SERIES	HPSE10884	00004966	1
2	PANEL, STRAIGHT	PANEL, 4' LONG, INLET, 700 SERIES	HPSE104I	00006739	1
3	PANEL, STRAIGHT	PANEL, 8' LONG, 700 SERIES	HPSE108P	00004961	1
4	PANEL, STRAIGHT	PANEL, 8' LONG, INLET, 700 SERIES	HPSE108I	00004969	2
5	PANEL, STRAIGHT	PANEL, 4' LONG, 700 SERIES	HPSE104P	00002723	1
6	PANEL, STRAIGHT	PANEL, 6' LONG, LIGHT, 700 SERIES	HPSE106L	00006701	1
7	PANEL, RADIUS	PANEL, 4' RADIUS, 6'-3 3/8" LONG, 700 SERIES	HPSE4R	00002458	4
8	HS104N	STEP, 6' THREE TREAD, STRAIGHT	HS104N	HS104N	1
9	SBRACE	BRACE, FOLD OVER WITH TURNBUCKLE, STEEL, HPSFOB	HPSFOB	HPSFOB	12
10	BOLT, PACK	BOLT, FLANGE, 3/8-16 X 1", PACK (50)	HPS1916	HPS1916	3

ENGINEERING DRAWING NUMBER: 00018146	WEIGHT: lbs	UNLESS OTHERWISE SPECIFIED DIMENSIONS ARE IN INCHES TOLERANCES DECIMALS: X ± .1 XX ± .01 XXX ± .001 XXXX ± .0005 ANGULAR: X ± 0.5 THIRD ANGLE PROJECTION	DESIGNED BY: BUMPHREY	CREATION DATE: 6/4/2013	HYDRA POOLS	
	VOLUME: Inch ³		DETAILED BY: JRITTENHOUSE	DETAILED DATE: 4/4/2018		
	COLOR:		LAST REVISED BY: rhouston	LAST REVISED DATE: 4/4/2018		
	HEAT TREAT: NA		MATERIAL:	TITLE: LAYOUT, 14' X 28', RECTANGLE, 4' RADIUS, 6' DEEP, HS104N, LIGHT, 1084, 3-INLET, 700 SERIES		
FINISH: NA				PART NUMBER: 00018146	SCALE: 1:60	SIZE: A
TEXTURE: NA					SHEET: 1 OF 3	



Area: 378.27ft ^2
Perimeter: 77.13ft
Volume = 11746 US gallons

NOTES:

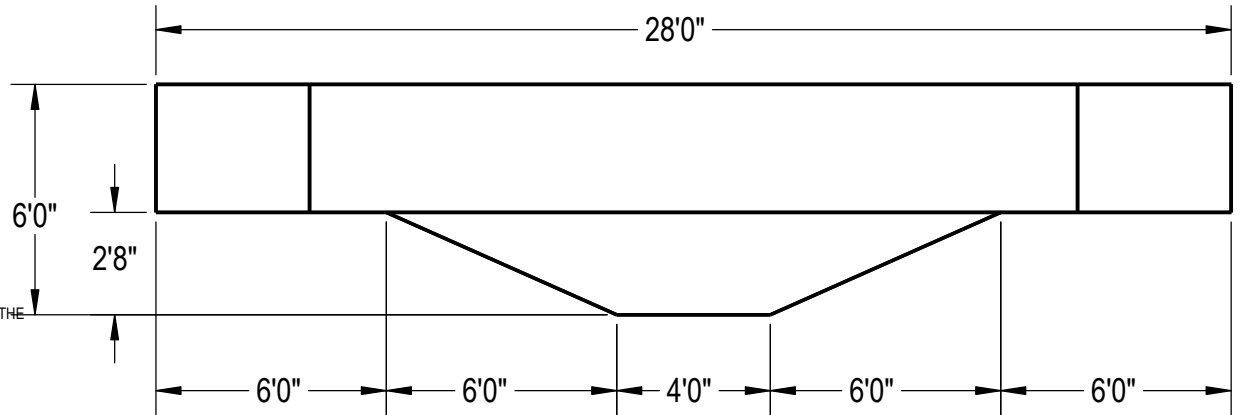
1. THESE ARE FINISHED DIMENSIONS READY FOR THE LINER.
2. DIMENSIONS ARE FROM INSIDE POOL PANELS.
3. ROPE AND FLOAT ASSEMBLY SHOULD BE INSTALLED IN ACCORDANCE WITH CURRENT ANSI/ASPS/ICC REGULATIONS
4. HYDRA LINER TRACK FOR STEPS IS INSTALLED WITH THE BARB FACING THE RISER WALL ON THE STEP.

EXCAVATION NOTES:

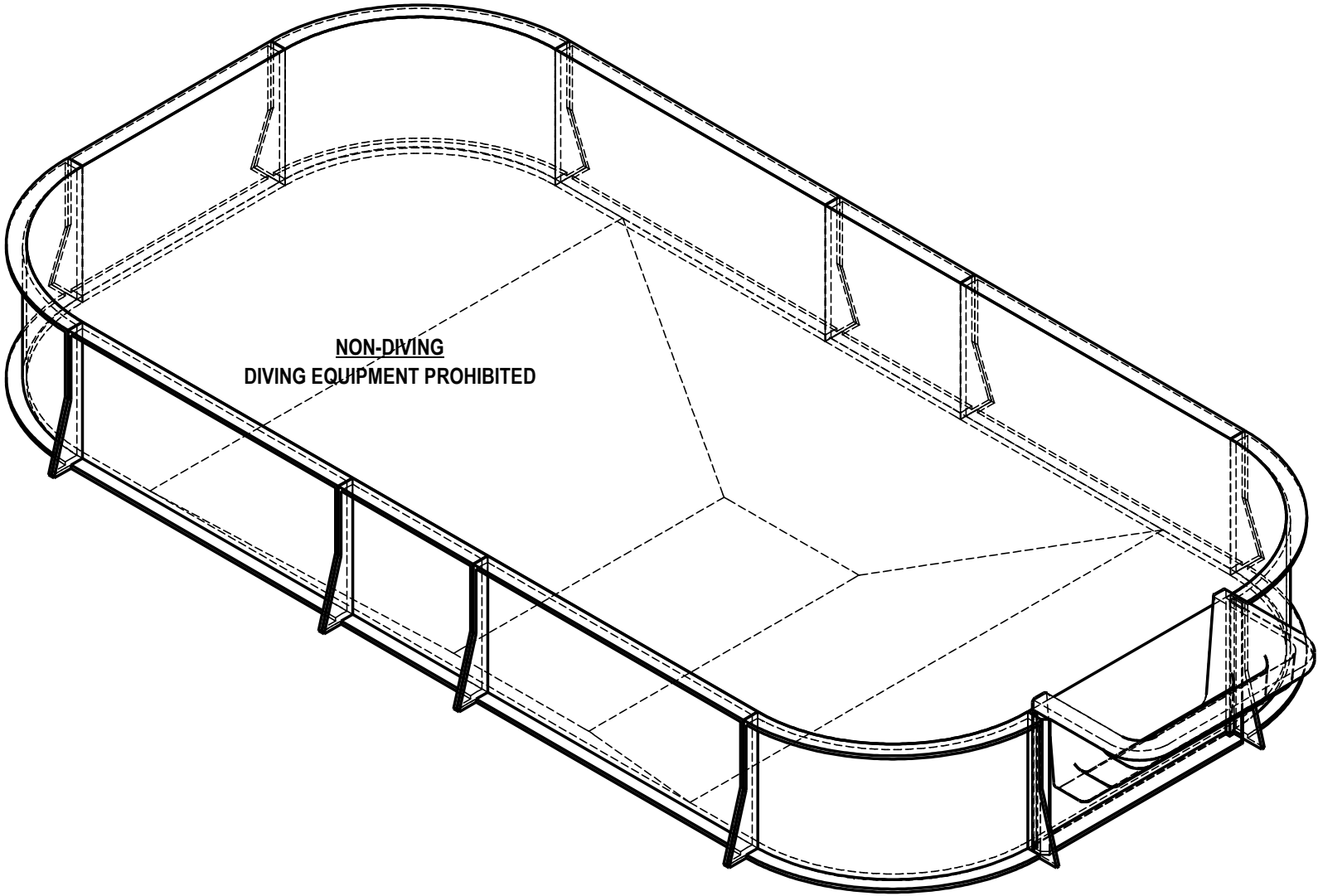
5. ROUGH EXCAVATION SHOULD BE 2" DEEPER IN EACH INSTANCE.
6. SOIL TO HAVE MINIMUM BEARING CAPACITY OF 1500 PSF.
7. LOCATE TOP OF POOL AT LEAST 6" ABOVE THE SURROUNDING LAND ELEVATION.
8. SEE "OVER DIG DETAIL" FOR EXCAVATION AROUND POOL.
9. FILL VOIDS UNDER BASE OF PANELS AND TAMP WELL.
10. BACK FILL WITH NON-EXPANSIVE MATERIAL.
11. FOLLOW ALL CURRENT ANSI / APSP / ICC GUIDELINES FOR RESIDENTIAL POOLS

IMPORTANT NOTES:

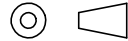
THIS DOCUMENT IS FOR ILLUSTRATIVE PURPOSES ONLY. THE DEALER OR CONTRACTOR WHO SELLS OR INSTALLS YOUR POOL IS AN INDEPENDENT CONTRACTOR AND IS NOT AN AGENT OF THE MANUFACTURER. THE CONSTRUCTION METHODS ILLUSTRATED HERE ARE SUGGESTIONS AND APPLY ONLY TO NORMAL GROUND CONDITIONS. THERE MAY BE ADDITIONAL PRECAUTIONS AND/OR METHODS OF CONSTRUCTION. PROPER INSTALLATION IS THE RESPONSIBILITY OF THE DEALER/BUILDER/CONTRACTOR.



ENGINEERING DRAWING NUMBER: 00018146	WEIGHT:	UNLESS OTHERWISE SPECIFIED DIMENSIONS ARE IN INCHES TOLERANCES DECIMALS: X ± .1 XX ± .01 XXX ± .001 XXXX ± .0005 ANGULAR: X ± 0.5 THIRD ANGLE PROJECTION	DESIGNED BY:	CREATION DATE:	HYDRA POOLS
	VOLUME:		BUMPHREY	6/4/2013	
	Inch ³		DETAILED BY:	DETAILED DATE:	
	COLOR:		JRITTENHOUSE	4/4/2018	
	HEAT TREAT:		LAST REVISED BY:	LAST REVISED DATE:	
NA	rhouston	4/4/2018	TITLE:	LAYOUT, 14' X 28', RECTANGLE, 4' RADIUS, 6' DEEP, HS104N, LIGHT, 1084, 3-INLET, 700 SERIES	
FINISH:	MATERIAL:	PART NUMBER:	00018146		
TEXTURE:			SCALE:	SIZE:	
NA			1:60	A	
			SHEET:		
			2 OF 3		



**NON-DIVING
 DIVING EQUIPMENT PROHIBITED**

ENGINEERING DRAWINGS NUMBER: 00018146	WEIGHT:	UNLESS OTHERWISE SPECIFIED DIMENSIONS ARE IN INCHES TOLERANCES DECIMALS: X ± .1 XX ± .01 XXX ± .001 XXXX ± .0005 ANGULAR: X ± 0.5 THIRD ANGLE PROJECTION 	DESIGNED BY:	CREATION DATE:	HYDRA POOLS	
	lbs		BUMPHREY	6/4/2013		
	VOLUME:		DESIGNED BY: JRITTENHOUSE LAST REVISED BY: rhouston MATERIAL:	DETAILED DATE:	TITLE: LAYOUT, 14' X 28', RECTANGLE, 4' RADIUS, 6' DEEP, HS104N, LIGHT, 1084, 3-INLET, 700 SERIES	
	Inch ³			4/4/2018		
	COLOR:			LAST REVISED DATE:		
	NA			4/4/2018		
HEAT TREAT:	PART NUMBER: <div style="font-size: 2em; font-weight: bold; text-align: center;">00018146</div>		SCALE:	SIZE:		
NA			1:48	A		
FINISH:			SHEET:			
NA			3 OF 3			
TEXTURE:						
NA						