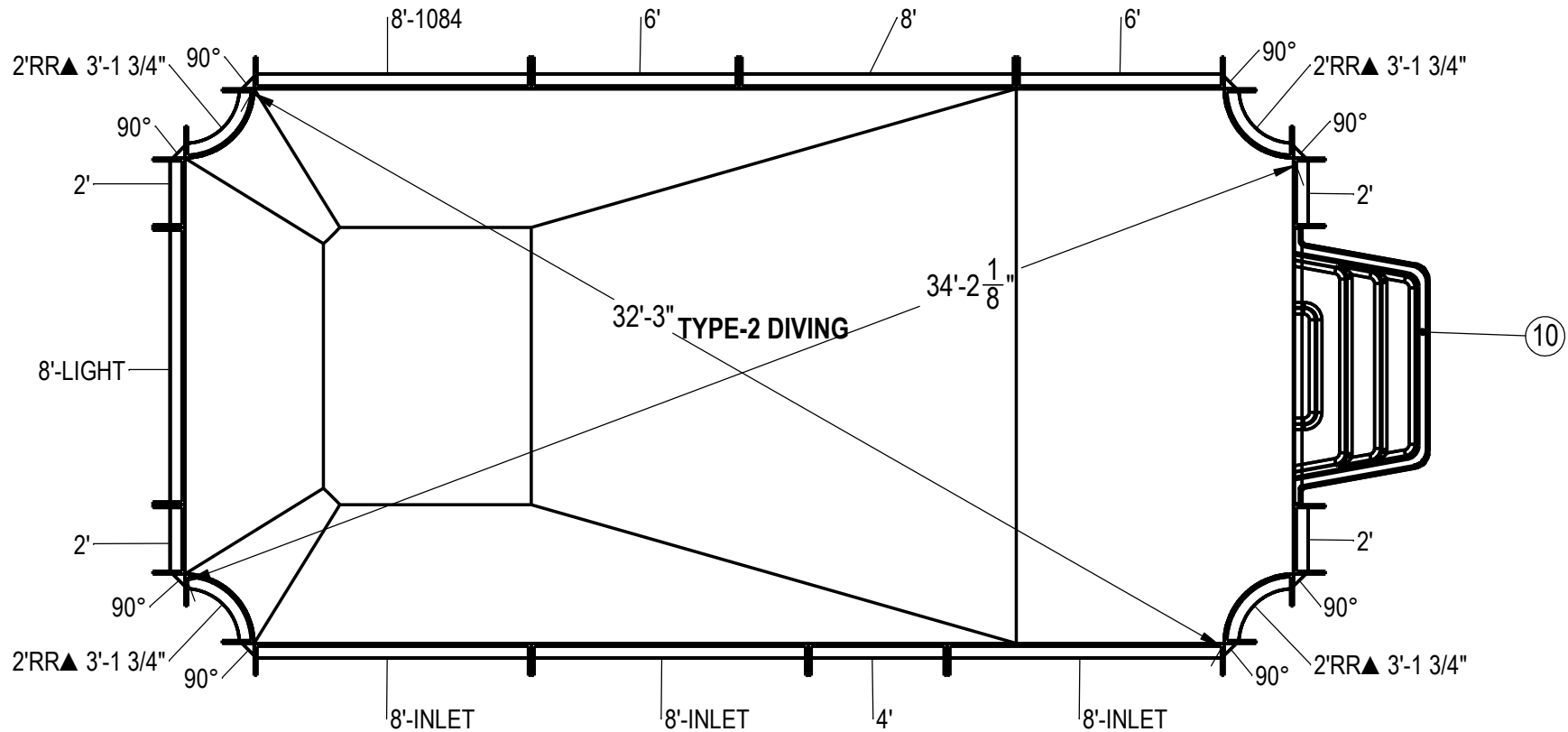


REVISION HISTORY				
REV.	DESCRIPTION	DATE	ECO	BY

MIRROR NUMBER: 00017224 CHECK IN DATE/TIME: Thursday, April 05, 2018 2:35:58 PM



**NOTES:**

- THESE ARE FINISHED DIMENSIONS READY FOR THE LINER.
- DIMENSIONS ARE FROM INSIDE POOL PANELS.
- ROPE AND FLOAT ASSEMBLY SHOULD BE INSTALLED IN ACCORDANCE WITH CURRENT ANSI/ASPS/ICC REGULATIONS
- HYDRA LINER TRACK FOR STEPS IS INSTALLED WITH THE BARB FACING THE RISER WALL ON THE STEP.

**EXCAVATION NOTES:**

- ROUGH EXCAVATION SHOULD BE 2" DEEPER IN EACH INSTANCE.
- SOIL TO HAVE MINIMUM BEARING CAPACITY OF 1500 PSF.
- LOCATE TOP OF POOL AT LEAST 6" ABOVE THE SURROUNDING LAND ELEVATION.
- SEE "OVER DIG DETAIL" FOR EXCAVATION AROUND POOL.
- FILL VOIDS UNDER BASE OF PANELS AND TAMP WELL.
- BACK FILL WITH NON-EXPANSIVE MATERIAL.
- FOLLOW ALL CURRENT ANSI / APSP / ICC GUIDELINES FOR RESIDENTIAL POOLS

**IMPORTANT NOTES:**

THIS DOCUMENT IS FOR ILLUSTRATIVE PURPOSES ONLY. THE DEALER OR CONTRACTOR WHO SELLS OR INSTALLS YOUR POOL IS AN INDEPENDENT CONTRACTOR AND IS NOT AN AGENT OF THE MANUFACTURER. THE CONSTRUCTION METHODS ILLUSTRATED HERE ARE SUGGESTIONS AND APPLY ONLY TO NORMAL GROUND CONDITIONS. THERE MAY BE ADDITIONAL PRECAUTIONS AND/OR METHODS OF CONSTRUCTION. PROPER INSTALLATION IS THE RESPONSIBILITY OF THE DEALER/BUILDER/CONTRACTOR.

ITEM	FILE NAME	DESCRIPTION	CUSTOMER DRAWING #	VENDOR PART #	QTY.
1	PANEL, RR	PANEL, 2' REVERSE RADIUS, 3'-1 3/4" LONG, 600 SERIES	HPSD2RR	0000288	4
2	PANEL, STRAIGHT	PANEL, 8' LONG, 1084, 600 SERIES	HPSD1088A	00002006	1
3	PANEL, STRAIGHT	PANEL, 8' LONG, 600 SERIES	HPSD108P	0000687	1
4	PANEL, STRAIGHT	PANEL, 4' LONG, 600 SERIES	HPSD104P	00000274	1
5	PANEL, STRAIGHT	PANEL, 8' LONG, INLET, 600 SERIES	HPSD108I	00000699	3
6	PANEL, STRAIGHT	PANEL, 6' LONG, 600 SERIES	HPSD106P	00000676	2
7	PANEL, STRAIGHT	PANEL, 2' LONG, 600 SERIES	HPSD102P	00000621	4
8	PANEL, STRAIGHT	PANEL, 8' LONG, LIGHT, 600 SERIES	HPSD108L	00000701	1
9	PANEL, WEDGE	WEDGE, 2 1/2" X 2 1/2" X 90°-600-ASSEMBLY	HPSD6CA	00005721	8
10	HS110N	STEP, 8', TWIN SEAT, 4 TREAD	HS110N	HS110N	1
11	SBRACE	BRACE, FOLD OVER WITH TURNBUCKLE, STEEL, HPSFOB	HPSFOB	HPSFOB	26
12	BOLT, PACK	BOLT, FLANGE, 3/8-16 X 1", PACK (50)	HPS1916	HPS1916	6

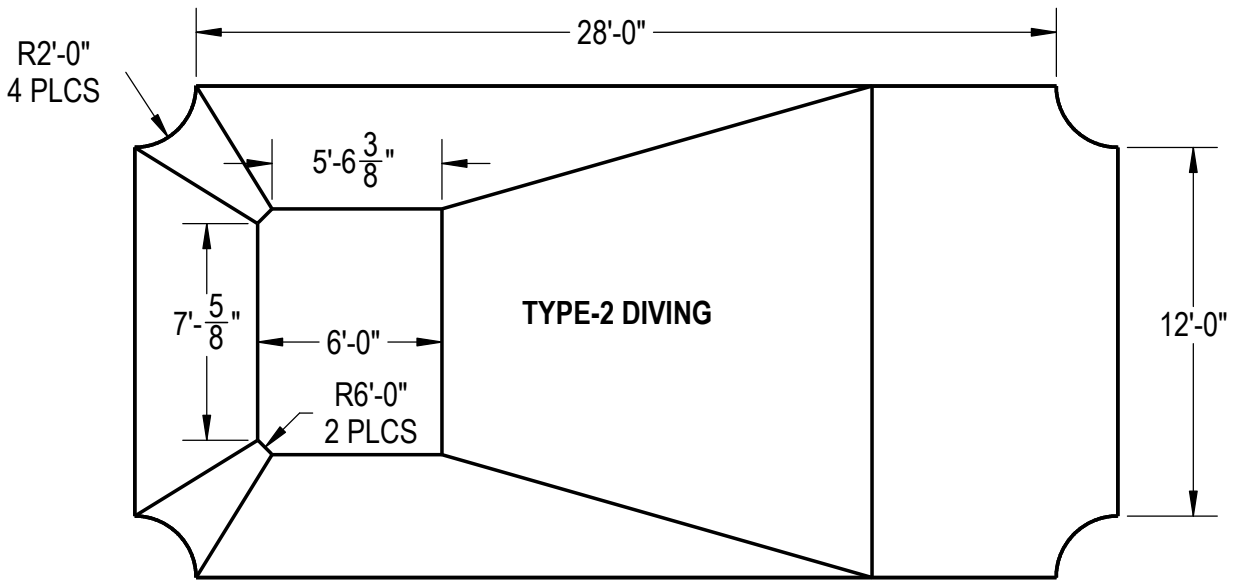
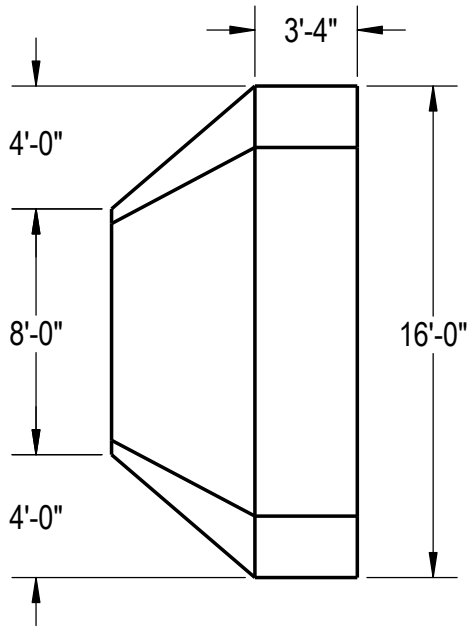
ENGINEERING DRAWING NUMBER: <b>00018210</b>	WEIGHT: 269858.8 lbs	UNLESS OTHERWISE SPECIFIED DIMENSIONS ARE IN INCHES TOLERANCES DECIMALS: X ± .1 XX ± .01 XXX ± .001 XXXX ± .0005  ANGULAR: X ± 0.5 THIRD ANGLE PROJECTION
	VOLUME: Inch <sup>3</sup>	
	COLOR:	
	HEAT TREAT:	
	FINISH:	
	TEXTURE:	

DESIGNED BY: <b>JBOSSERDET</b>	CREATION DATE: 12/11/2014
DETAILED BY: <b>JRITTENHOUSE</b>	DETAILED DATE: 4/5/2018
LAST REVISED BY: <b>rhouston</b>	LAST REVISED DATE: 4/5/2018
MATERIAL:	

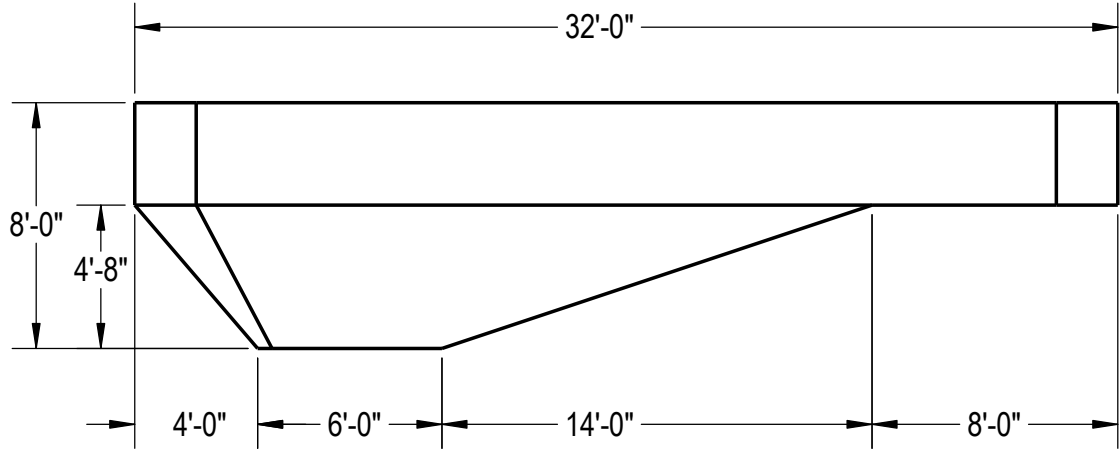
**HYDRA POOLS**

TITLE: LAYOUT, 16' X 32', HAMPTON, 2' RADIUS REVERSE, 8' DEEP, HS110N, LIGHT, 3- INLET, 1084, 600 SERIES

PART NUMBER: <b>00018210</b>	SCALE: 1:96	SIZE: A
	SHEET: 1 OF 4	



**Area: 499.43ft ^2**  
**Perimeter: 92.57ft**  
**Volume = 19066 US gallons**



**NOTES:**

1. THESE ARE FINISHED DIMENSIONS READY FOR THE LINER.
2. DIMENSIONS ARE FROM INSIDE POOL PANELS.
3. ROPE AND FLOAT ASSEMBLY SHOULD BE INSTALLED IN ACCORDANCE WITH CURRENT ANSI/ASPS/ICC REGULATIONS
4. HYDRA LINER TRACK FOR STEPS IS INSTALLED WITH THE BARB FACING THE RISER WALL ON THE STEP.

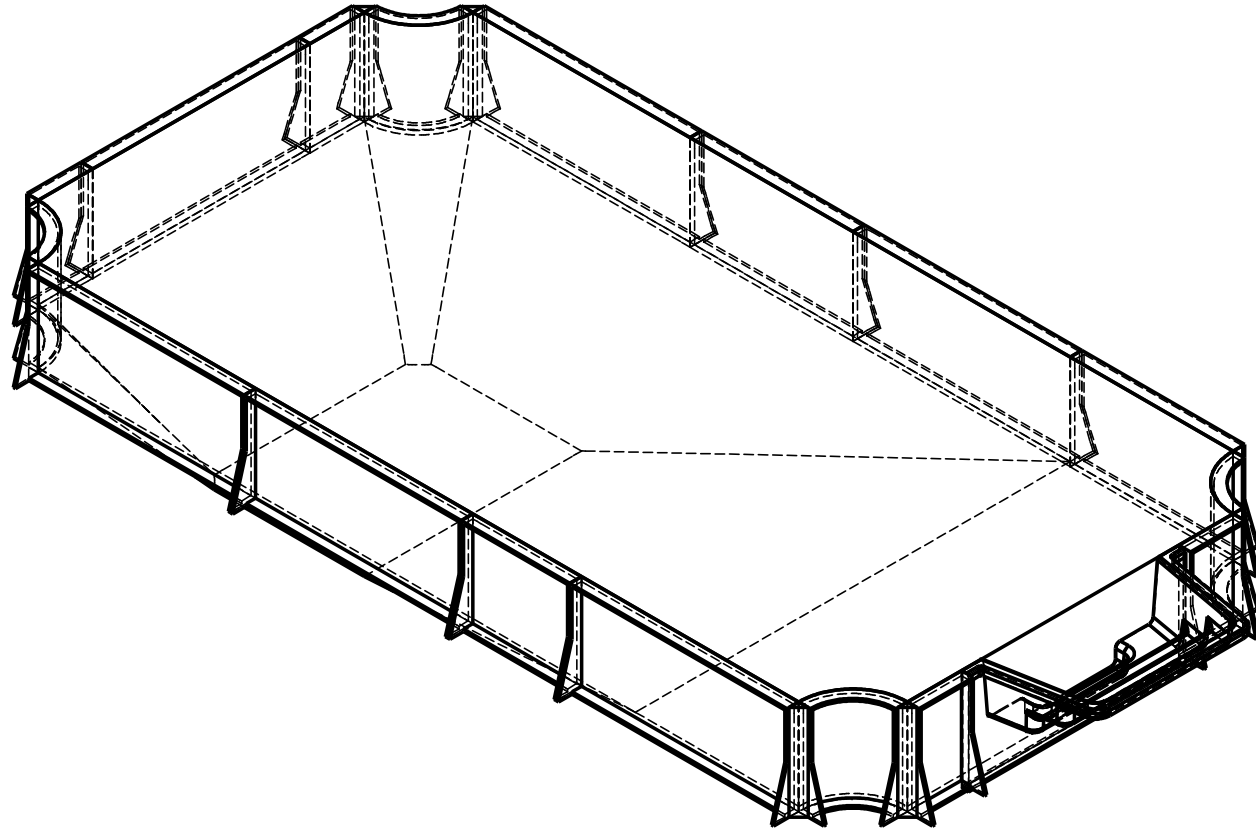
**EXCAVATION NOTES:**

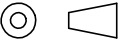
5. ROUGH EXCAVATION SHOULD BE 2" DEEPER IN EACH INSTANCE.
6. SOIL TO HAVE MINIMUM BEARING CAPACITY OF 1500 PSF.
7. LOCATE TOP OF POOL AT LEAST 6" ABOVE THE SURROUNDING LAND ELEVATION.
8. SEE "OVER DIG DETAIL" FOR EXCAVATION AROUND POOL.
9. FILL VOIDS UNDER BASE OF PANELS AND TAMP WELL.
10. BACK FILL WITH NON-EXPANSIVE MATERIAL.
11. FOLLOW ALL CURRENT ANSI / APSP / ICC GUIDELINES FOR RESIDENTIAL POOLS

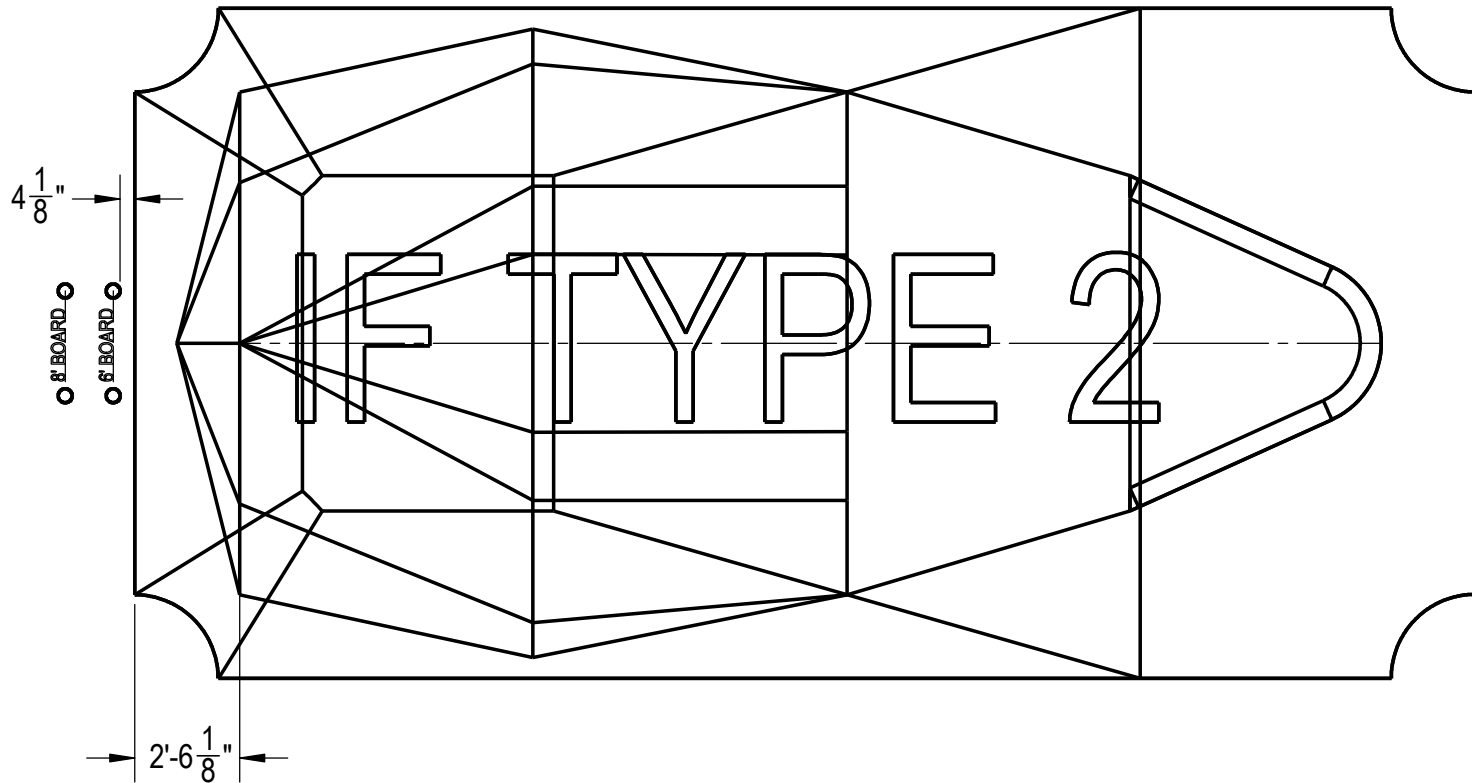
**IMPORTANT NOTES:**

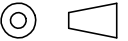
THIS DOCUMENT IS FOR ILLUSTRATIVE PURPOSES ONLY. THE DEALER OR CONTRACTOR WHO SELLS OR INSTALLS YOUR POOL IS AN INDEPENDENT CONTRACTOR AND IS NOT AN AGENT OF THE MANUFACTURER. THE CONSTRUCTION METHODS ILLUSTRATED HERE ARE SUGGESTIONS AND APPLY ONLY TO NORMAL GROUND CONDITIONS. THERE MAY BE ADDITIONAL PRECAUTIONS AND/OR METHODS OF CONSTRUCTION. PROPER INSTALLATION IS THE RESPONSIBILITY OF THE DEALER/BUILDER/CONTRACTOR.

ENGINEERING DRAWING NUMBER: <b>00018210</b>	WEIGHT:	UNLESS OTHERWISE SPECIFIED DIMENSIONS ARE IN INCHES TOLERANCES DECIMALS: X ± .1 XX ± .01 XXX ± .001 XXXX ± .0005  ANGULAR: X ± 0.5 THIRD ANGLE PROJECTION	DESIGNED BY:	CREATION DATE:	<b>HYDRA POOLS</b>
	lbs		<b>RCOLBOCH</b>	<b>4/16/2013</b>	
	VOLUME:		DETAILED BY:	DETAILED DATE:	
	Inch <sup>3</sup>		<b>JRITTENHOUSE</b>	<b>4/5/2018</b>	
	NA		LAST REVISED BY:	LAST REVISED DATE:	
COLOR:	<b>rhouston</b>	<b>4/5/2018</b>	TITLE: <b>LAYOUT, 16' X 32', HAMPTON, 2' RADIUS REVERSE, 8' DEEP, HS110N, LIGHT, 3- INLET, 1084, 600 SERIES</b>		
HEAT TREAT:			PART NUMBER:		
NA			<b>00018210</b>		
FINISH:			SCALE:	SIZE:	
NA			<b>1:96</b>	<b>A</b>	
TEXTURE:			SHEET:		
NA			<b>2 OF 4</b>		



ENGINEERING DRAWING NUMBER: <b>00018210</b>	WEIGHT: <b>269858.8 lbs</b>	<b>UNLESS OTHERWISE SPECIFIED</b> DIMENSIONS ARE IN INCHES TOLERANCES DECIMALS: X ± .1 XX ± .01 XXX ± .001 XXXX ± .0005  ANGULAR: X ± 0.5 THIRD ANGLE PROJECTION 	DESIGNED BY: <b>JBOSSERDET</b>	CREATION DATE: <b>12/11/2014</b>	<b>HYDRA POOLS</b>  TITLE: <b>LAYOUT, 16' X 32', HAMPTON, 2' RADIUS REVERSE, 8' DEEP,                  HS110N, LIGHT, 3- INLET, 1084, 600 SERIES</b>
	VOLUME: <b>Inch³</b>		DETAILED BY: <b>JRITTENHOUSE</b>	DETAILED DATE: <b>4/5/2018</b>	
	COLOR:		LAST REVISED BY: <b>rhouston</b>	LAST REVISED DATE: <b>4/5/2018</b>	
	HEAT TREAT:		MATERIAL:		
	FINISH:		PART NUMBER:		
	TEXTURE:		<b>00018210</b>		
			SCALE: <b>1:96</b>	SIZE: <b>A</b>	
			SHEET: <b>3 OF 4</b>		



ENGINEERING DRAWING NUMBER: <b>00018210</b>	WEIGHT: 269858.8 lbs	<b>UNLESS OTHERWISE SPECIFIED</b> DIMENSIONS ARE IN INCHES TOLERANCES DECIMALS: X ± .1 XX ± .01 XXX ± .001 XXXX ± .0005 ANGULAR: X ± 0.5 THIRD ANGLE PROJECTION 	DESIGNED BY: <b>JBOSSERDET</b>	CREATION DATE: 12/11/2014	<b>HYDRA POOLS</b>	
	VOLUME: Inch <sup>3</sup>		DETAILED BY: <b>JRITTENHOUSE</b>	DETAILED DATE: 4/5/2018		
	COLOR:		LAST REVISED BY: <b>rhouston</b>	LAST REVISED DATE: 4/5/2018		
	HEAT TREAT:		MATERIAL:		TITLE: LAYOUT, 16' X 32', HAMPTON, 2' RADIUS REVERSE, 8' DEEP, HS110N, LIGHT, 3- INLET, 1084, 600 SERIES	
	FINISH:		PART NUMBER:			
	TEXTURE:		<b>00018210</b>			
		SCALE: 1:96	SIZE: A			
		SHEET: 4 OF 4				