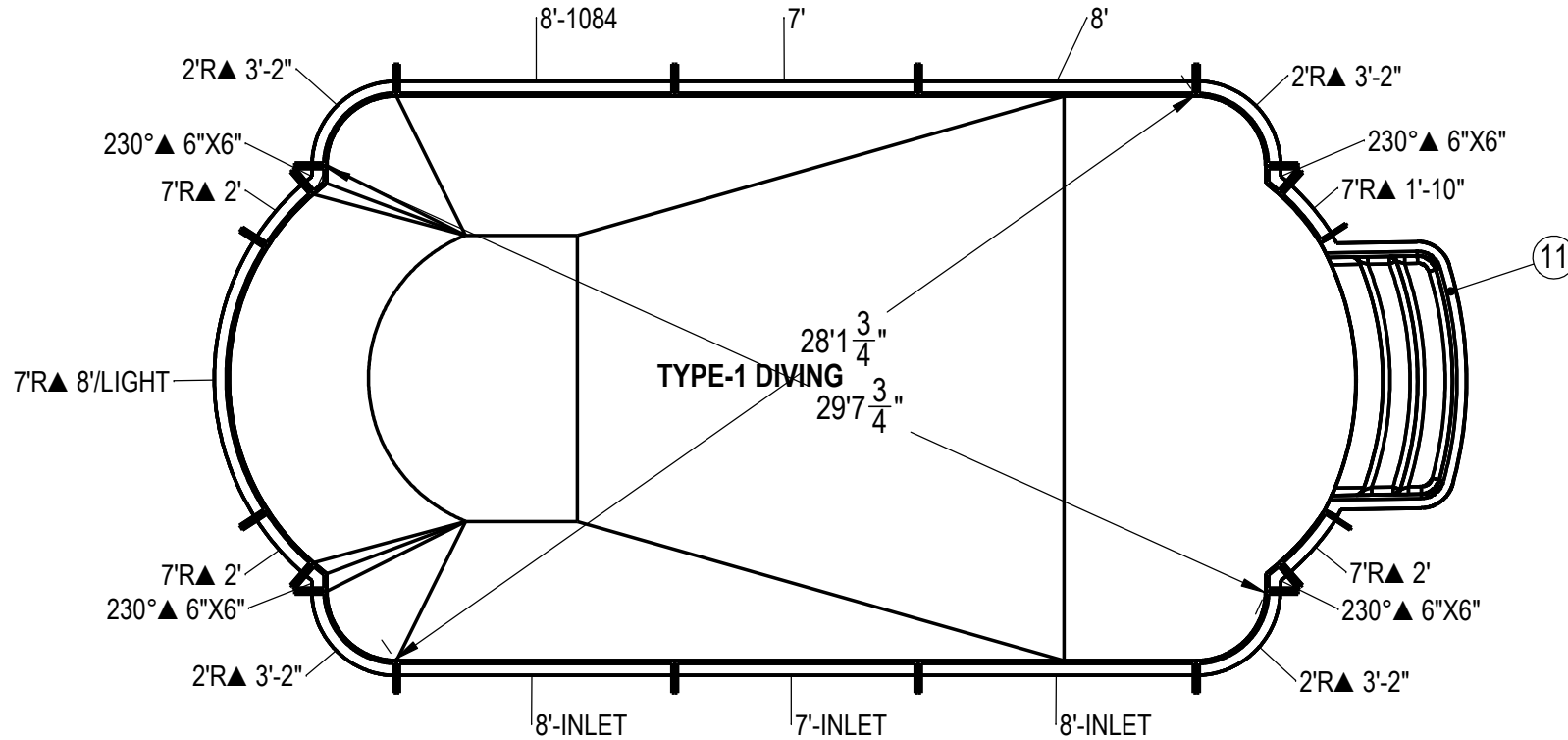


REVISION HISTORY				
REV.	DESCRIPTION	DATE	ECO	BY



**NOTES:**

- THESE ARE FINISHED DIMENSIONS READY FOR THE LINER.
- DIMENSIONS ARE FROM INSIDE POOL PANELS.
- ROPE AND FLOAT ASSEMBLY SHOULD BE INSTALLED IN ACCORDANCE WITH CURRENT ANSI/ASPS/ICC REGULATIONS
- HYDRA LINER TRACK FOR STEPS IS INSTALLED WITH THE BARB FACING THE RISER WALL ON THE STEP.

**EXCAVATION NOTES:**

- ROUGH EXCAVATION SHOULD BE 2" DEEPER IN EACH INSTANCE.
- SOIL TO HAVE MINIMUM BEARING CAPACITY OF 1500 PSF.
- LOCATE TOP OF POOL AT LEAST 6" ABOVE THE SURROUNDING LAND ELEVATION.
- SEE "OVER DIG DETAIL" FOR EXCAVATION AROUND POOL.
- FILL VOIDS UNDER BASE OF PANELS AND TAMP WELL.
- BACK FILL WITH NON-EXPANSIVE MATERIAL.
- FOLLOW ALL CURRENT ANSI / APSP / ICC GUIDELINES FOR RESIDENTIAL POOLS

**IMPORTANT NOTES:**

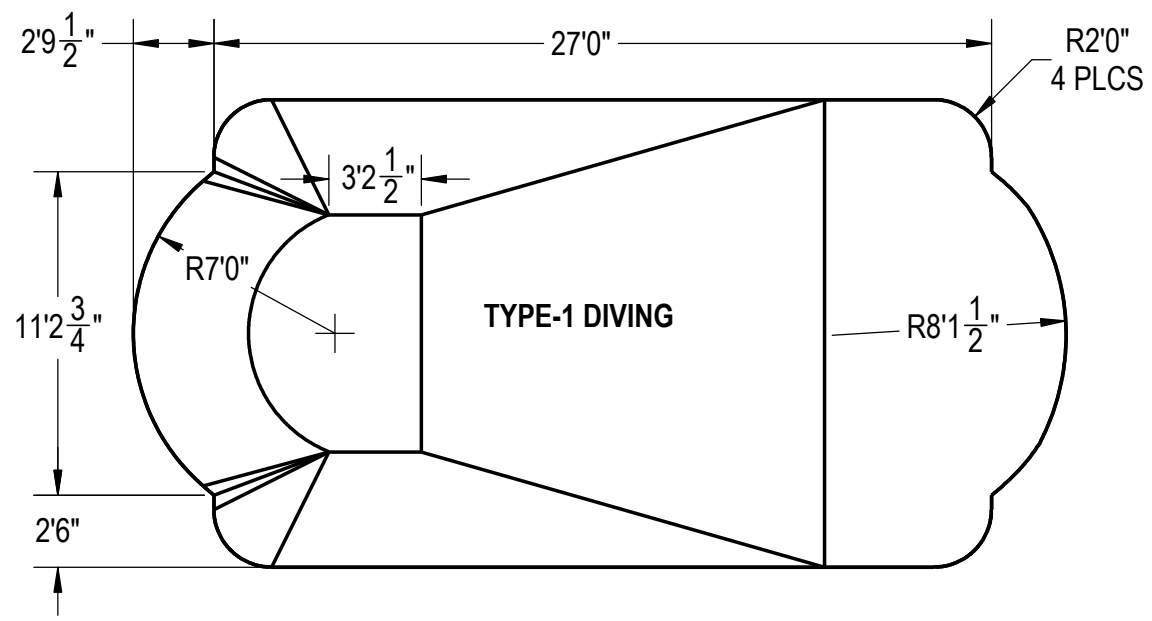
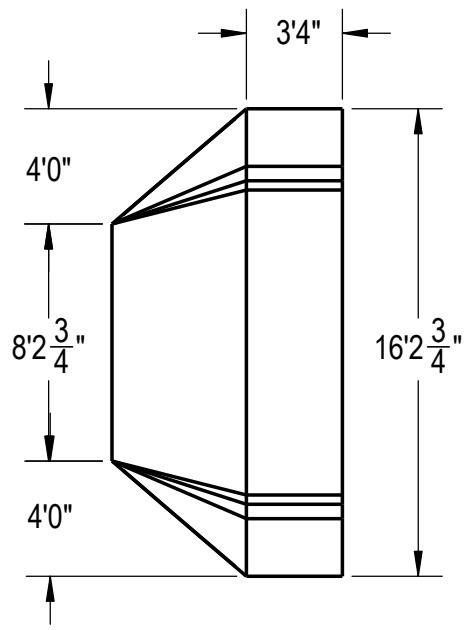
THIS DOCUMENT IS FOR ILLUSTRATIVE PURPOSES ONLY. THE DEALER OR CONTRACTOR WHO SELLS OR INSTALLS YOUR POOL IS AN INDEPENDENT CONTRACTOR AND IS NOT AN AGENT OF THE MANUFACTURER. THE CONSTRUCTION METHODS ILLUSTRATED HERE ARE SUGGESTIONS AND APPLY ONLY TO NORMAL GROUND CONDITIONS. THERE MAY BE ADDITIONAL PRECAUTIONS AND/OR METHODS OF CONSTRUCTION. PROPER INSTALLATION IS THE RESPONSIBILITY OF THE DEALER/BUILDER/CONTRACTOR.

ITEM	FILE NAME	DESCRIPTION	CUSTOMER DRAWING #	VENDOR PART #	QTY.
1	PANEL, RADIUS	PANEL, 7' RADIUS, 8' LONG, LIGHT, 600 SERIES	HPSD7R8L	00001434	1
2	PANEL, RADIUS	PANEL, 7' RADIUS, 2' LONG, 600 SERIES	HPSD7R2	00001420	3
3	PANEL, RADIUS	PANEL, 7' RADIUS, 1-10" LONG, 600 SERIES	HPSCR2	00008902	1
4	PANEL, RADIUS	PANEL, 2' RADIUS, 3-2" LONG, 600 SERIES	HPSD2R	00000287	4
5	PANEL, STRAIGHT	PANEL, 8' LONG, 1084, 600 SERIES	HPSD10884	00002006	1
6	PANEL, STRAIGHT	PANEL, 7' LONG, 600 SERIES	HPSCS8	0010126	1
7	PANEL, STRAIGHT	PANEL, 8' LONG, 600 SERIES	HPSD108P	00000687	1
8	PANEL, STRAIGHT	PANEL, 7' LONG, INLET, 600 SERIES	HPS107I	00005251	1
9	PANEL, STRAIGHT	PANEL, 8' LONG, INLET, 600 SERIES	HPSD108I	00000699	2
10	PANEL, ANGLE	PANEL, ANGLE, 6" X 6" X 230°, 600 SERIES	HPSD6X6230	00001399	4
11	HS306N	STEP, 8' RADIUS, 3 TREAD, CANTILEVER	HS306N	HS306N	1
12	SBRACE	BRACE, FOLD OVER WITH TURNBUCKLE, STEEL, HPSFOB	HPSFOB	HPSFOB	20
13	BOLT, PACK	BOLT, FLANGE, 3/8-16 X 1", PACK (50)	HPS1916	HPS1916	5

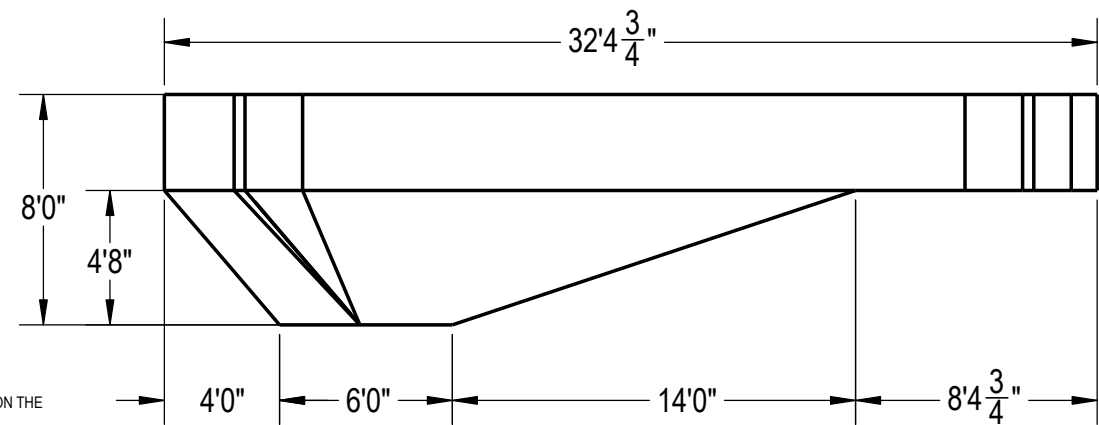
ENGINEERING DRAWING NUMBER: <b>00018175</b>	WEIGHT:	UNLESS OTHERWISE SPECIFIED DIMENSIONS ARE IN INCHES TOLERANCES DECIMALS: X ± .1 XX ± .01 XXX ± .001 XXXX ± .0005  ANGULAR: X ± 0.5 THIRD ANGLE PROJECTION
	lbs	
	VOLUME:	
	Inch <sup>3</sup>	
	COLOR:	
	NA	
	HEAT TREAT:	
	NA	
	FINISH:	
	NA	
TEXTURE:		
NA		

DESIGNED BY: <b>RCOLBOCH</b>	CREATION DATE: <b>5/23/2013</b>
DETAILED BY: <b>JRITTENHOUSE</b>	DETAILED DATE: <b>4/5/2018</b>
LAST REVISED BY: <b>rhouston</b>	LAST REVISED DATE: <b>4/5/2018</b>
MATERIAL:	

<b>HYDRA POOLS</b>	
TITLE: <b>LAYOUT, 16' X 33', ROMAN DOUBLE, 2' RADIUS, 8' DEEP, HS306N, LIGHT, 3- INLET, 1084, 600 SERIES</b>	
PART NUMBER: <b>00018175</b>	SCALE: 1:128 SHEET: 1 OF 4 SIZE: <b>A</b>



**Area: 477.33ft ^2**  
**Perimeter: 86.41ft**  
**Volume = 18178 US gallons**



**NOTES:**

1. THESE ARE FINISHED DIMENSIONS READY FOR THE LINER.
2. DIMENSIONS ARE FROM INSIDE POOL PANELS.
3. ROPE AND FLOAT ASSEMBLY SHOULD BE INSTALLED IN ACCORDANCE WITH CURRENT ANSI/ASPS/ICC REGULATIONS
4. HYDRA LINER TRACK FOR STEPS IS INSTALLED WITH THE BARB FACING THE RISER WALL ON THE STEP.

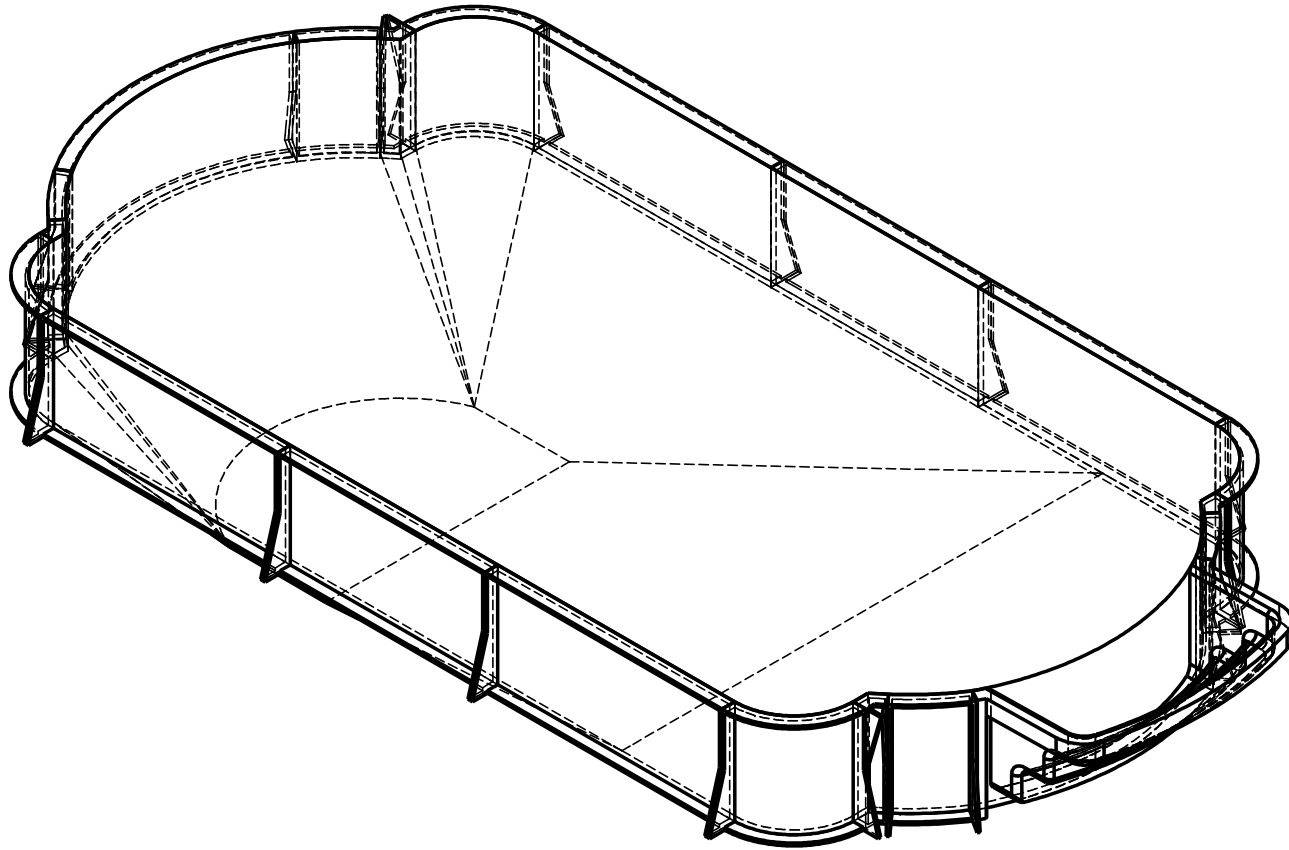
**EXCAVATION NOTES:**

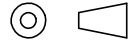
5. ROUGH EXCAVATION SHOULD BE 2" DEEPER IN EACH INSTANCE.
6. SOIL TO HAVE MINIMUM BEARING CAPACITY OF 1500 PSF.
7. LOCATE TOP OF POOL AT LEAST 6" ABOVE THE SURROUNDING LAND ELEVATION.
8. SEE "OVER DIG DETAIL" FOR EXCAVATION AROUND POOL.
9. FILL VOIDS UNDER BASE OF PANELS AND TAMP WELL.
10. BACK FILL WITH NON-EXPANSIVE MATERIAL.
11. FOLLOW ALL CURRENT ANSI / APSP / ICC GUIDELINES FOR RESIDENTIAL POOLS

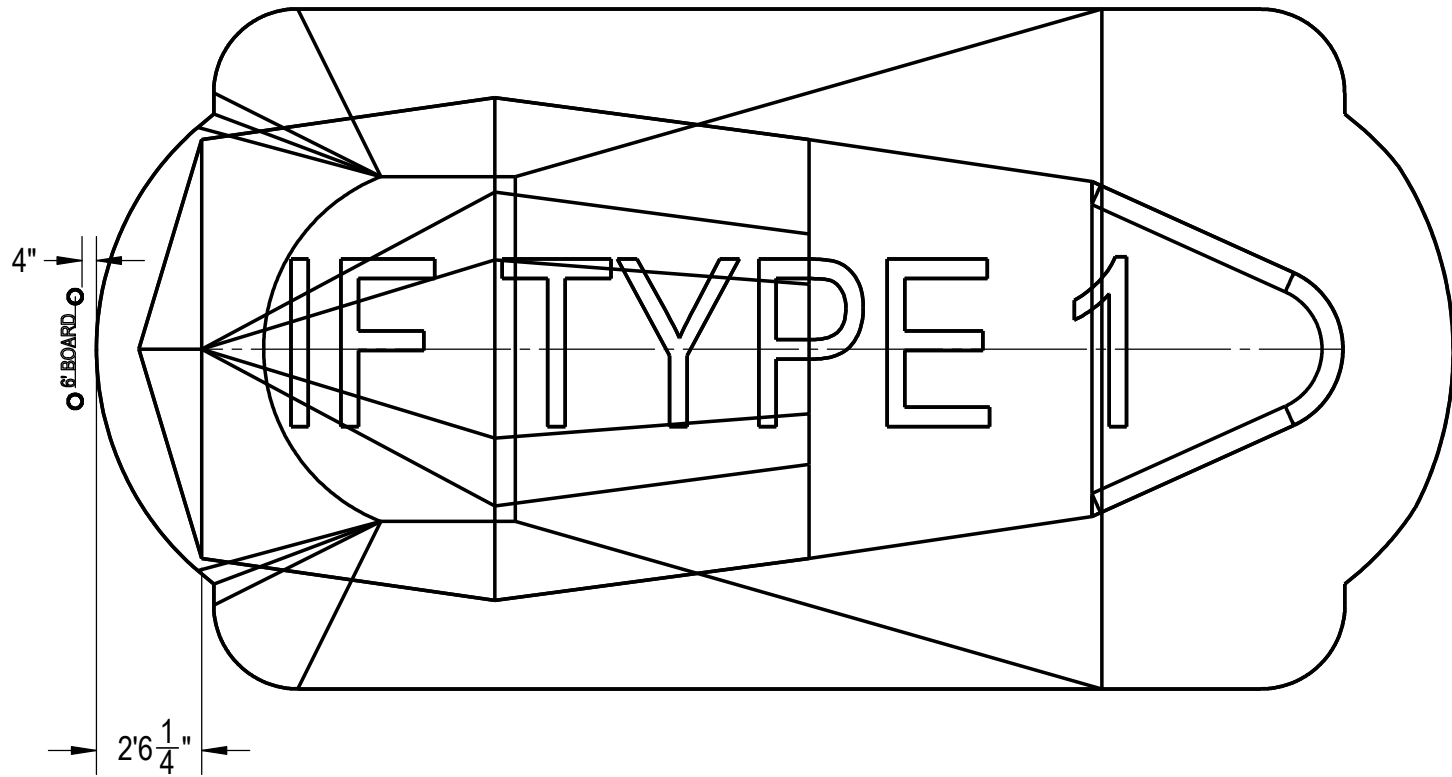
**IMPORTANT NOTES:**

THIS DOCUMENT IS FOR ILLUSTRATIVE PURPOSES ONLY. THE DEALER OR CONTRACTOR WHO SELLS OR INSTALLS YOUR POOL IS AN INDEPENDENT CONTRACTOR AND IS NOT AN AGENT OF THE MANUFACTURER. THE CONSTRUCTION METHODS ILLUSTRATED HERE ARE SUGGESTIONS AND APPLY ONLY TO NORMAL GROUND CONDITIONS. THERE MAY BE ADDITIONAL PRECAUTIONS AND/OR METHODS OF CONSTRUCTION. PROPER INSTALLATION IS THE RESPONSIBILITY OF THE DEALER/BUILDER/CONTRACTOR.

ENGINEERING DRAWING NUMBER: <b>00018175</b>	WEIGHT:	UNLESS OTHERWISE SPECIFIED DIMENSIONS ARE IN INCHES TOLERANCES DECIMALS: X ± .1 XX ± .01 XXX ± .001 XXXX ± .0005  ANGULAR: X ± 0.5 THIRD ANGLE PROJECTION 	DESIGNED BY:	CREATION DATE:	<b>HYDRA POOLS</b>  TITLE: <b>LAYOUT, 16' X 33', ROMAN DOUBLE, 2' RADIUS, 8' DEEP, HS306N, LIGHT, 3- INLET, 1084, 600 SERIES</b>
	lbs		<b>RCOLBOCH</b>	<b>5/23/2013</b>	
	VOLUME:		DETAILED BY:	DETAILED DATE:	
	Inch <sup>3</sup>		<b>JRITTENHOUSE</b>	<b>4/5/2018</b>	
COLOR:	LAST REVISED BY:	LAST REVISED DATE:	PART NUMBER:		
NA	<b>rhouston</b>	<b>4/5/2018</b>	<b>00018175</b>		
HEAT TREAT:	MATERIAL:	SCALE:		SIZE:	
NA		1:128		A	
FINISH:	SHEET:				
NA	2 OF 4				
TEXTURE:					
NA					



ENGINEERING DRAWING NUMBER: <b>00018175</b>	WEIGHT:	<b>UNLESS OTHERWISE SPECIFIED</b> DIMENSIONS ARE IN INCHES TOLERANCES DECIMALS: X ± .1 XX ± .01 XXX ± .001 XXXX ± .0005  ANGULAR: X ± 0.5 THIRD ANGLE PROJECTION 	DESIGNED BY:	CREATION DATE:	<b>HYDRA POOLS</b>
	lbs		<b>RCOLBOCH</b>	<b>5/23/2013</b>	
	VOLUME:		DETAILED BY:	DETAILED DATE:	
	Inch <sup>3</sup>		<b>JRITTENHOUSE</b>	<b>4/5/2018</b>	TITLE: <b>LAYOUT, 16' X 33', ROMAN DOUBLE, 2' RADIUS, 8' DEEP, HS306N, LIGHT, 3- INLET, 1084, 600 SERIES</b>
	COLOR:		LAST REVISED BY:	LAST REVISED DATE:	PART NUMBER: <div style="font-size: 2em; font-weight: bold; text-align: center;">00018175</div>
	NA		<b>rhouston</b>	<b>4/5/2018</b>	
HEAT TREAT:	MATERIAL:				
NA			SCALE: 1:128	SIZE: A	
FINISH:			SHEET: 3 OF 4		
NA					
TEXTURE:					
NA					



ENGINEERING DRAWING NUMBER: <b>00018175</b>	WEIGHT:	<b>UNLESS OTHERWISE SPECIFIED</b> DIMENSIONS ARE IN INCHES TOLERANCES DECIMALS: X ± .1 XX ± .01 XXX ± .001 XXXX ± .0005 ANGULAR: X ± 0.5 THIRD ANGLE PROJECTION 	DESIGNED BY:	CREATION DATE:	<b>HYDRA POOLS</b>
	lbs		<b>RCOLBOCH</b>	<b>5/23/2013</b>	
	VOLUME:		DETAILED BY:	DETAILED DATE:	
	Inch <sup>3</sup>		<b>JRITTENHOUSE</b>	<b>4/5/2018</b>	TITLE: <b>LAYOUT, 16' X 33', ROMAN DOUBLE, 2' RADIUS, 8' DEEP, HS306N, LIGHT, 3- INLET, 1084, 600 SERIES</b>
	COLOR:		LAST REVISED BY:	LAST REVISED DATE:	PART NUMBER: <div style="font-size: 2em; font-weight: bold; text-align: center;">00018175</div>
	NA		<b>rhouston</b>	<b>4/5/2018</b>	
HEAT TREAT:	MATERIAL:				
NA					
FINISH:			SCALE:	SIZE:	
NA			<b>1:128</b>	<b>A</b>	
TEXTURE:			SHEET:		
NA			<b>4 OF 4</b>		