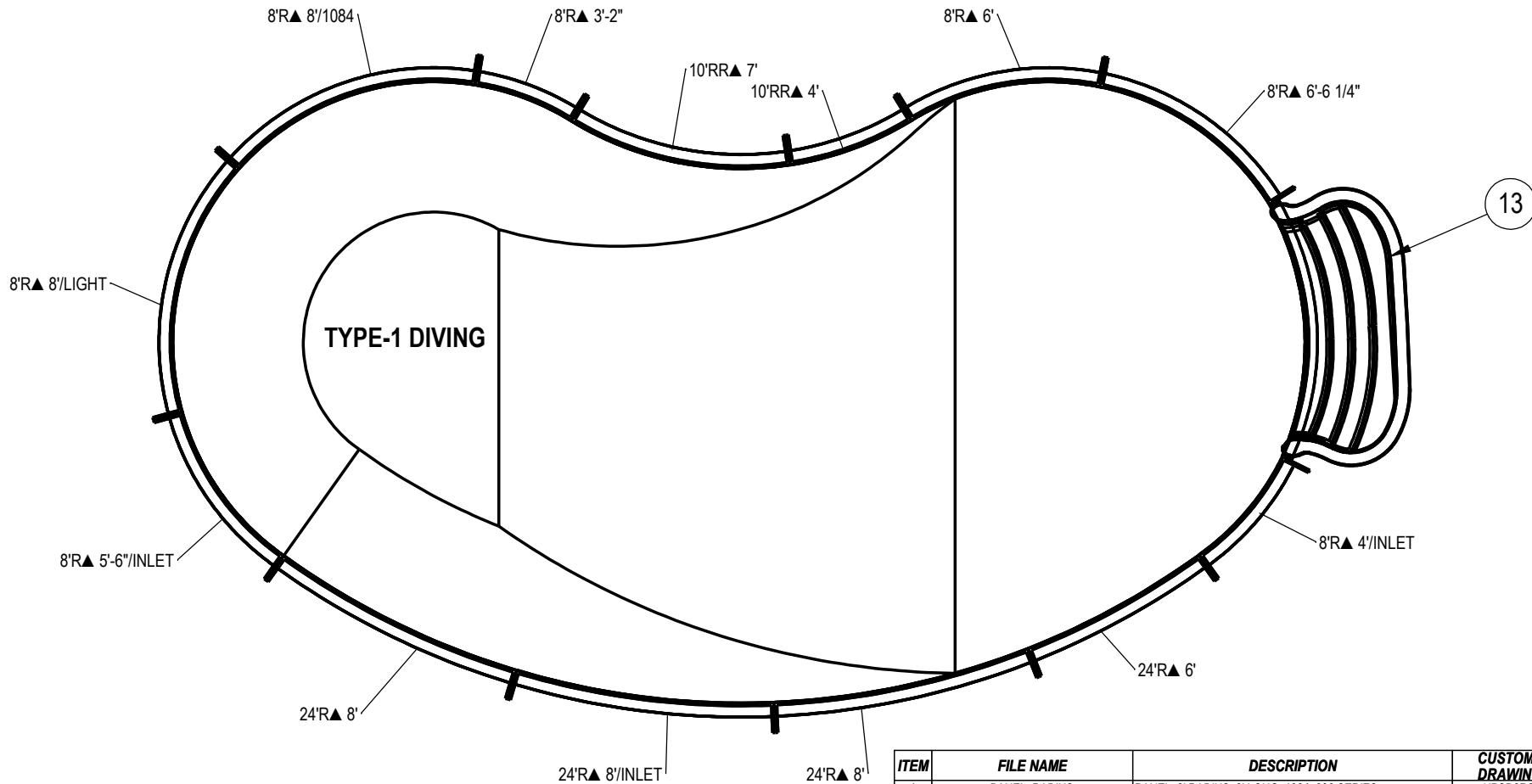


REVISION HISTORY				
REV.	DESCRIPTION	DATE	ECO	BY



TYPE-1 DIVING

**NOTES:**

1. THESE ARE FINISHED DIMENSIONS READY FOR THE LINER.
2. DIMENSIONS ARE FROM INSIDE POOL PANELS.
3. ROPE AND FLOAT ASSEMBLY SHOULD BE INSTALLED IN ACCORDANCE WITH CURRENT ANSI/APSP/ICC REGULATIONS
4. HYDRA LINER TRACK FOR STEPS IS INSTALLED WITH THE BARB FACING THE RISER WALL ON THE STEP.

**EXCAVATION NOTES:**

5. ROUGH EXCAVATION SHOULD BE 2" DEEPER IN EACH INSTANCE.
6. SOIL TO HAVE MINIMUM BEARING CAPACITY OF 1500 PSF.
7. LOCATE TOP OF POOL AT LEAST 6" ABOVE THE SURROUNDING LAND ELEVATION.
8. SEE "OVER DIG DETAIL" FOR EXCAVATION AROUND POOL.
9. FILL VOIDS UNDER BASE OF PANELS AND TAMP WELL.
10. BACK FILL WITH NON-EXPANSIVE MATERIAL.
11. FOLLOW ALL CURRENT ANSI / APSP / ICC GUIDELINES FOR RESIDENTIAL POOLS

**IMPORTANT NOTES:**

THIS DOCUMENT IS FOR ILLUSTRATIVE PURPOSES ONLY. THE DEALER OR CONTRACTOR WHO SELLS OR INSTALLS YOUR POOL IS AN INDEPENDENT CONTRACTOR AND IS NOT AN AGENT OF THE MANUFACTURER. THE CONSTRUCTION METHODS ILLUSTRATED HERE ARE SUGGESTIONS AND APPLY ONLY TO NORMAL GROUND CONDITIONS. THERE MAY BE ADDITIONAL PRECAUTIONS AND/OR METHODS OF CONSTRUCTION. PROPER INSTALLATION IS THE RESPONSIBILITY OF THE DEALER/BUILDER/CONTRACTOR.

ITEM	FILE NAME	DESCRIPTION	CUSTOMER DRAWING #	VENDOR PART #	QTY.
1	PANEL, RADIUS	PANEL, 8' RADIUS, 8' LONG, 1084, 600 SERIES	HPSD8R884	00000271	1
2	PANEL, RADIUS	PANEL, 8' RADIUS, 8' LONG, LIGHT, 600 SERIES	HPSD8R8L	00001463	1
3	PANEL, RADIUS	PANEL, 8' RADIUS, 6' LONG, 600 SERIES	HPSD8R6	00001456	1
4	PANEL, RADIUS	PANEL, 8' RADIUS, 4' LONG, INLET, 600 SERIES	HPSCR5	00003327	1
5	PANEL, RADIUS	PANEL, 24' RADIUS, 6' LONG, 600 SERIES	HPSD24R6	00002546	1
6	PANEL, RADIUS	PANEL, 24' RADIUS, 8' LONG, 600 SERIES	HPSD24R8	00000254	2
7	PANEL, RADIUS	PANEL, 24' RADIUS, 8' LONG, INLET, 600 SERIES	HPSCR8	00005378	1
8	PANEL, RADIUS	PANEL, 8' RADIUS, 5'-6" LONG, INLET, 600 SERIES	HPSCR6	00007246	1
9	PANEL, RADIUS	PANEL, 8' RADIUS, 3'-2" LONG, 600 SERIES	HPSCR4	00006142	1
10	PANEL, RADIUS	PANEL, 8' RADIUS, 6'-6 1/4" LONG, 600 SERIES	HPSCR7	00006272	1
11	PANEL, RR	PANEL, 10' REVERSE RADIUS, 4' LONG, 600 SERIES	HPSD10RR4	00002583	1
12	PANEL, RR	PANEL, 10' REVERSE RADIUS, 7' LONG, 600 SERIES	HPSD10RR7	00000993	1
13	HS112N	STEP, 8' RADIUS, 4 TREAD	HS112N	HS112N	1
14	SBRACE	BRACE, FOLD OVER WITH TURNBUCKLE, STEEL, HPSFOB	HPSFOB	HPSFOB	14
15	BOLT, PACK	BOLT, FLANGE, 3/8-16 X 1", PACK (50)	HPS1916	HPS1916	4

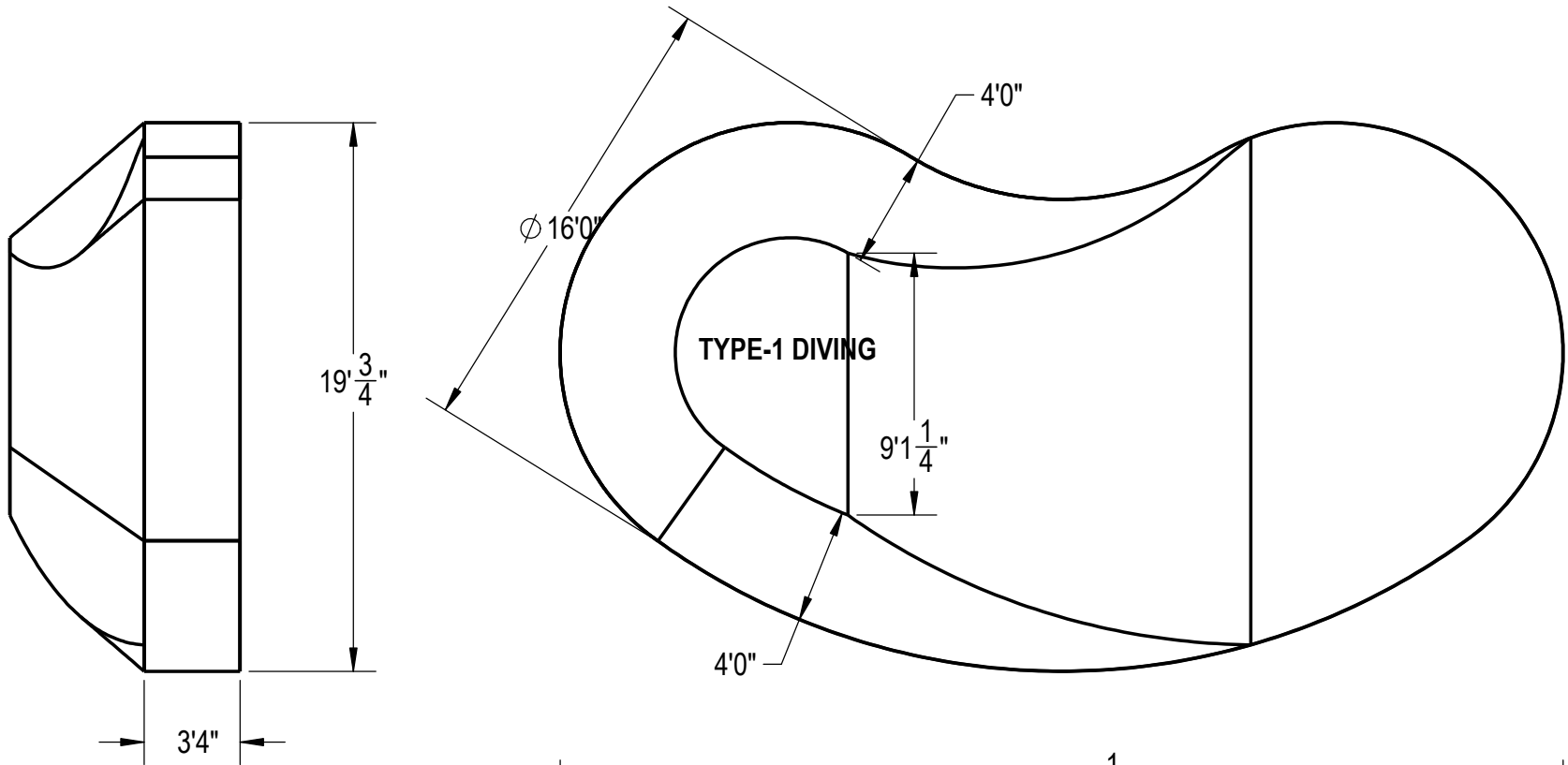
ENGINEERING DRAWING NUMBER: <b>00018203</b>	WEIGHT: 263159.0 lbs	UNLESS OTHERWISE SPECIFIED DIMENSIONS ARE IN INCHES TOLERANCES DECIMALS: X ± .1 XX ± .01 XXX ± .001 XXXX ± .0005  ANGULAR: X ± 0.5 THIRD ANGLE PROJECTION
	VOLUME: Inch³	
	COLOR:	
	HEAT TREAT:	
	FINISH:	
	TEXTURE:	

DESIGNED BY: <b>BUMPHREY</b>	CREATION DATE: 4/26/2013
DETAILED BY: <b>JRITTENHOUSE</b>	DETAILED DATE: 4/5/2018
LAST REVISED BY: <b>rhouston</b>	LAST REVISED DATE: 4/5/2018
MATERIAL:	

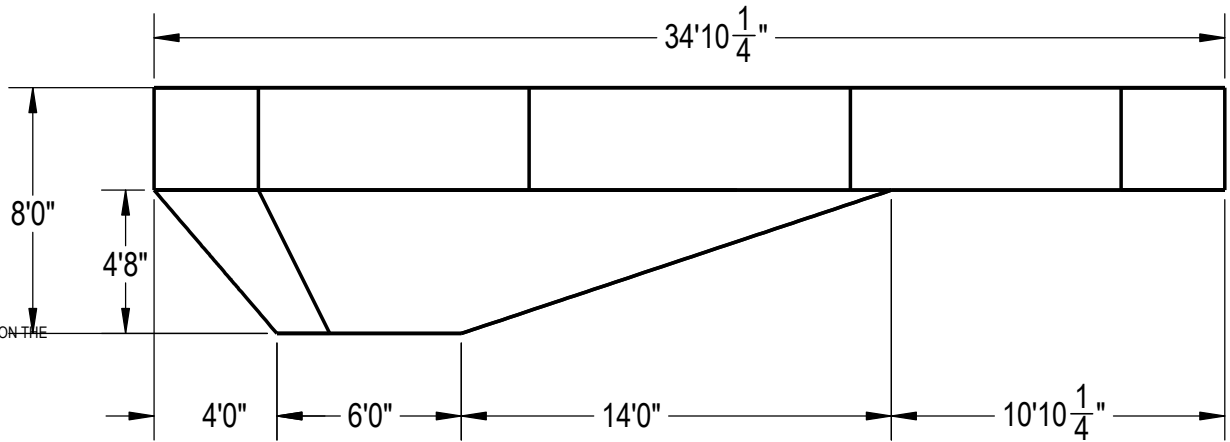
**HYDRA POOLS**

**TITLE: LAYOUT, 16' X 36' BENT KIDNEY RIGHT, 8' DEEP, HS112N, 1084, 3-INLET, LIGHT, 600 SERIES**

PART NUMBER: **00018203**      SCALE: 1:96      SIZE: A  
 SHEET: 1 OF 5



**Area: 526.55ft ^2**  
**Perimeter: 90.28ft**  
**Volume = 19602 US gallons**



**NOTES:**

1. THESE ARE FINISHED DIMENSIONS READY FOR THE LINER.
2. DIMENSIONS ARE FROM INSIDE POOL PANELS.
3. ROPE AND FLOAT ASSEMBLY SHOULD BE INSTALLED IN ACCORDANCE WITH CURRENT ANSI/ASPS/ICC REGULATIONS
4. HYDRA LINER TRACK FOR STEPS IS INSTALLED WITH THE BARB FACING THE RISER WALL ON THE STEP.

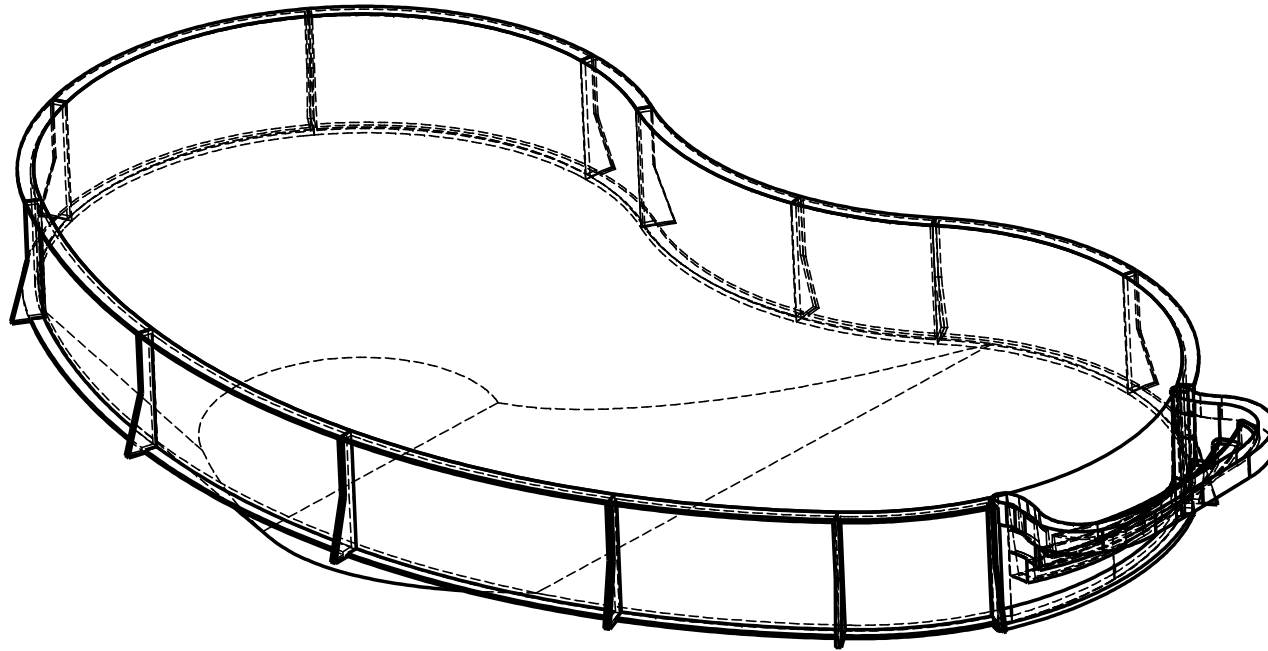
**EXCAVATION NOTES:**

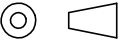
5. ROUGH EXCAVATION SHOULD BE 2" DEEPER IN EACH INSTANCE.
6. SOIL TO HAVE MINIMUM BEARING CAPACITY OF 1500 PSF.
7. LOCATE TOP OF POOL AT LEAST 6" ABOVE THE SURROUNDING LAND ELEVATION.
8. SEE "OVER DIG DETAIL" FOR EXCAVATION AROUND POOL.
9. FILL VOIDS UNDER BASE OF PANELS AND TAMP WELL.
10. BACK FILL WITH NON-EXPANSIVE MATERIAL.
11. FOLLOW ALL CURRENT ANSI / APSP / ICC GUIDELINES FOR RESIDENTIAL POOLS

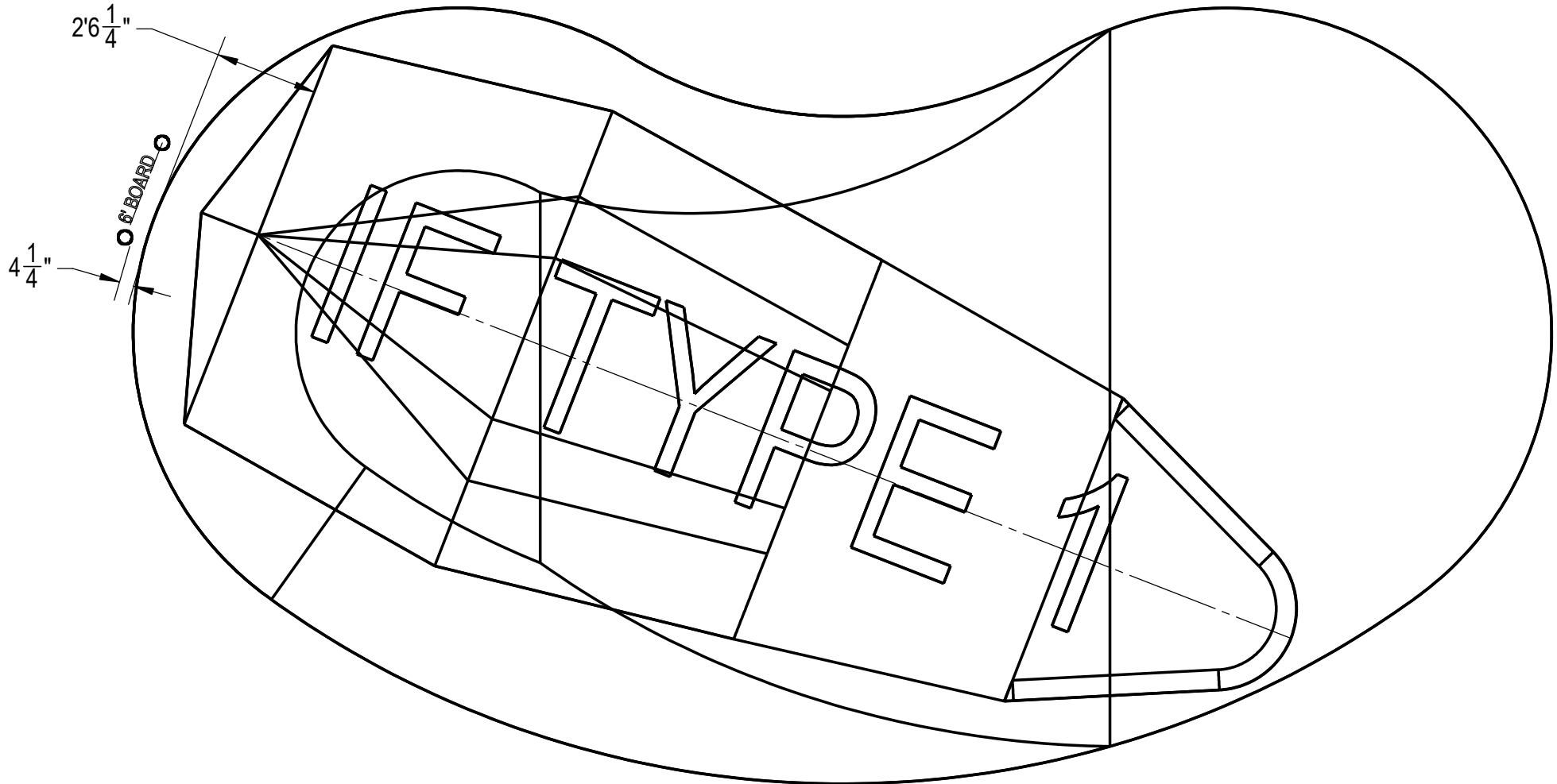
**IMPORTANT NOTES:**

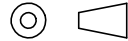
THIS DOCUMENT IS FOR ILLUSTRATIVE PURPOSES ONLY. THE DEALER OR CONTRACTOR WHO SELLS OR INSTALLS YOUR POOL IS AN INDEPENDENT CONTRACTOR AND IS NOT AN AGENT OF THE MANUFACTURER. THE CONSTRUCTION METHODS ILLUSTRATED HERE ARE SUGGESTIONS AND APPLY ONLY TO NORMAL GROUND CONDITIONS. THERE MAY BE ADDITIONAL PRECAUTIONS AND/OR METHODS OF CONSTRUCTION. PROPER INSTALLATION IS THE RESPONSIBILITY OF THE DEALER/BUILDER/CONTRACTOR.

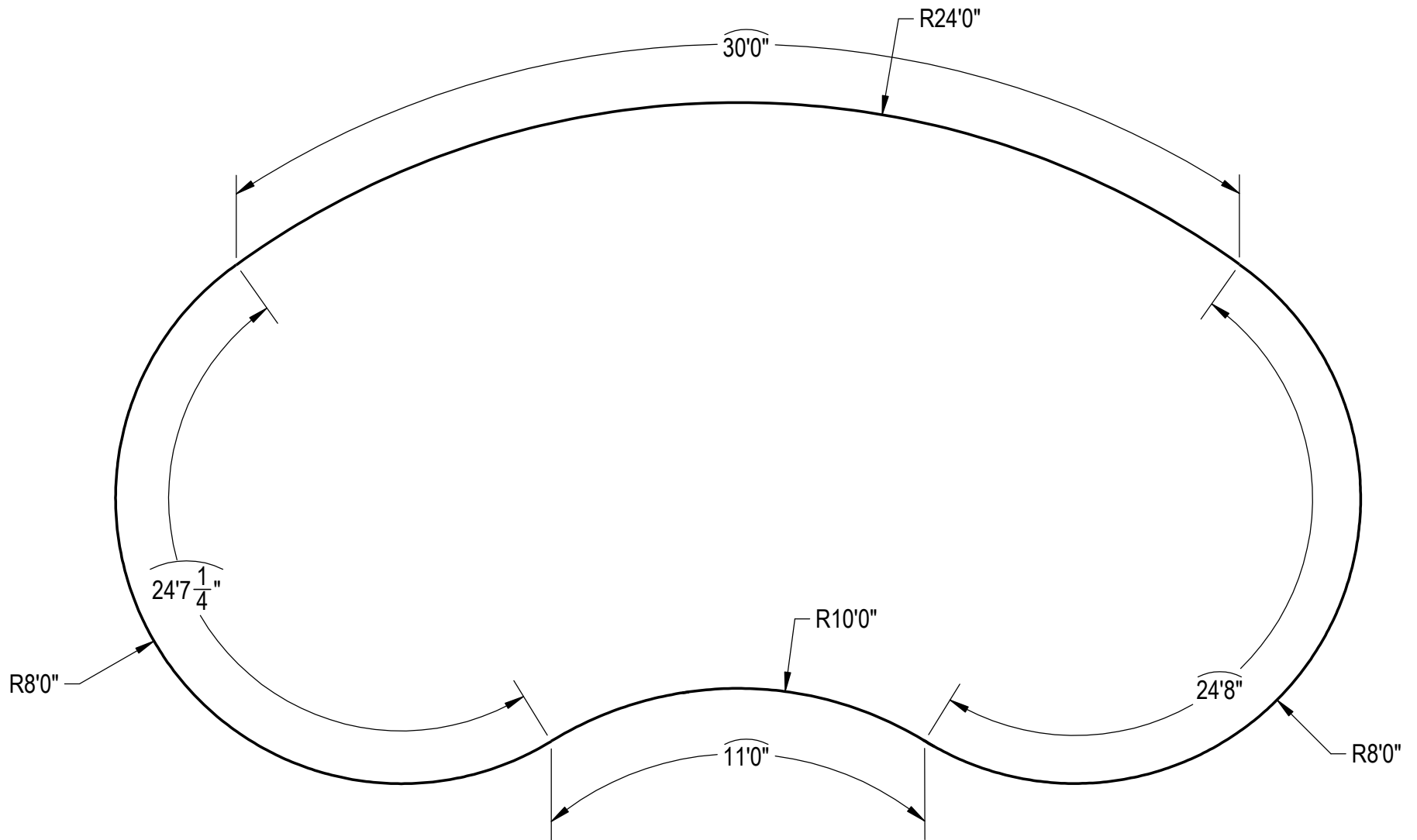
ENGINEERING DRAWING NUMBER: <b>00018203</b>	WEIGHT:	UNLESS OTHERWISE SPECIFIED DIMENSIONS ARE IN INCHES TOLERANCES DECIMALS: X ± .1 XX ± .01 XXX ± .001 XXXX ± .0005  ANGULAR: X ± 0.5 THIRD ANGLE PROJECTION 	DESIGNED BY:	CREATION DATE:	<b>HYDRA POOLS</b>	
	lbs		<b>BUMPHREY</b>	<b>1/12/2012</b>		
	VOLUME:			DETAILED BY:	DETAILED DATE:	
	Inch <sup>3</sup>			<b>JRITTENHOUSE</b>	<b>4/5/2018</b>	
COLOR:		LAST REVISED BY:	LAST REVISED DATE:	TITLE: <b>LAYOUT, 16' X 36' BENT KIDNEY RIGHT, 8' DEEP, HS112N, 1084, 3-INLET, LIGHT, 600 SERIES</b>		
HEAT TREAT:		<b>rhouston</b>	<b>4/5/2018</b>			
FINISH:		MATERIAL:		PART NUMBER:	SCALE:	SIZE:
TEXTURE:				<b>00018203</b>	<b>1:96</b>	<b>A</b>
					SHEET:	
					<b>2 OF 5</b>	



ENGINEERING DRAWING NUMBER: <b>00018203</b>	WEIGHT: <b>263159.0 lbs</b>	<b>UNLESS OTHERWISE SPECIFIED</b> DIMENSIONS ARE IN INCHES TOLERANCES DECIMALS: X ± .1 XX ± .01 XXX ± .001 XXXX ± .0005  ANGULAR: X ± 0.5 THIRD ANGLE PROJECTION 	DESIGNED BY: <b>BUMPHREY</b>	CREATION DATE: <b>4/26/2013</b>	<b>HYDRA POOLS</b>			
	VOLUME: <b>Inch³</b>		DETAILED BY: <b>JRITTENHOUSE</b>	DETAILED DATE: <b>4/5/2018</b>				
	COLOR:		LAST REVISED BY: <b>rhouston</b>	LAST REVISED DATE: <b>4/5/2018</b>	TITLE: <b>LAYOUT, 16' X 36' BENT KIDNEY RIGHT, 8' DEEP, HS112N,                  1084, 3-INLET, LIGHT, 600 SERIES</b>			
	HEAT TREAT:		MATERIAL:					
	FINISH:		PART NUMBER:				SCALE: <b>1:96</b>	SIZE: <b>A</b>
	TEXTURE:		<b>00018203</b>				SHEET: <b>3 OF 5</b>	



ENGINEERING DRAWING NUMBER: <b>00018203</b>	WEIGHT: <b>263159.0 lbs</b>	<b>UNLESS OTHERWISE SPECIFIED</b> DIMENSIONS ARE IN INCHES TOLERANCES DECIMALS: X ± .1 XX ± .01 XXX ± .001 XXXX ± .0005  ANGULAR: X ± 0.5 THIRD ANGLE PROJECTION 	DESIGNED BY: <b>BUMPHREY</b>	CREATION DATE: <b>4/26/2013</b>	<b>HYDRA POOLS</b>	
	VOLUME: <b>Inch³</b>		DETAILED BY: <b>JRITTENHOUSE</b>	DETAILED DATE: <b>4/5/2018</b>		
	COLOR:		LAST REVISED BY: <b>rhouston</b>	LAST REVISED DATE: <b>4/5/2018</b>	TITLE: <b>LAYOUT, 16' X 36' BENT KIDNEY RIGHT, 8' DEEP, HS112N, 1084, 3-INLET, LIGHT, 600 SERIES</b>	
	HEAT TREAT:		MATERIAL:			
	FINISH:		PART NUMBER:			
TEXTURE:	<b>00018203</b>		SHEET: <b>4 OF 5</b>			



ENGINEERING DRAWING NUMBER: <b>00018203</b>	WEIGHT:	<b>UNLESS OTHERWISE SPECIFIED</b> DIMENSIONS ARE IN INCHES TOLERANCES DECIMALS: X ± .1 XX ± .01 XXX ± .001 XXXX ± .0005 ANGULAR: X ± 0.5 THIRD ANGLE PROJECTION 	DESIGNED BY:	CREATION DATE:	<b>HYDRA POOLS</b>
	lbs		<b>BUMPHREY</b>	<b>1/12/2012</b>	
	VOLUME:		DETAILED BY:	DETAILED DATE:	
	Inch <sup>3</sup>		<b>JRITTENHOUSE</b>	<b>4/5/2018</b>	TITLE: <b>LAYOUT, 16' X 36' BENT KIDNEY RIGHT, 8' DEEP, HS112N, 1084, 3-INLET, LIGHT, 600 SERIES</b>
	COLOR:		LAST REVISED BY:	LAST REVISED DATE:	
	HEAT TREAT:		<b>rhouston</b>	<b>4/5/2018</b>	
FINISH:	MATERIAL:	PART NUMBER:	SCALE:	SIZE:	
TEXTURE:		<b>00018203</b>	<b>1:96</b>	<b>A</b>	
			SHEET:		
			<b>5 OF 5</b>		