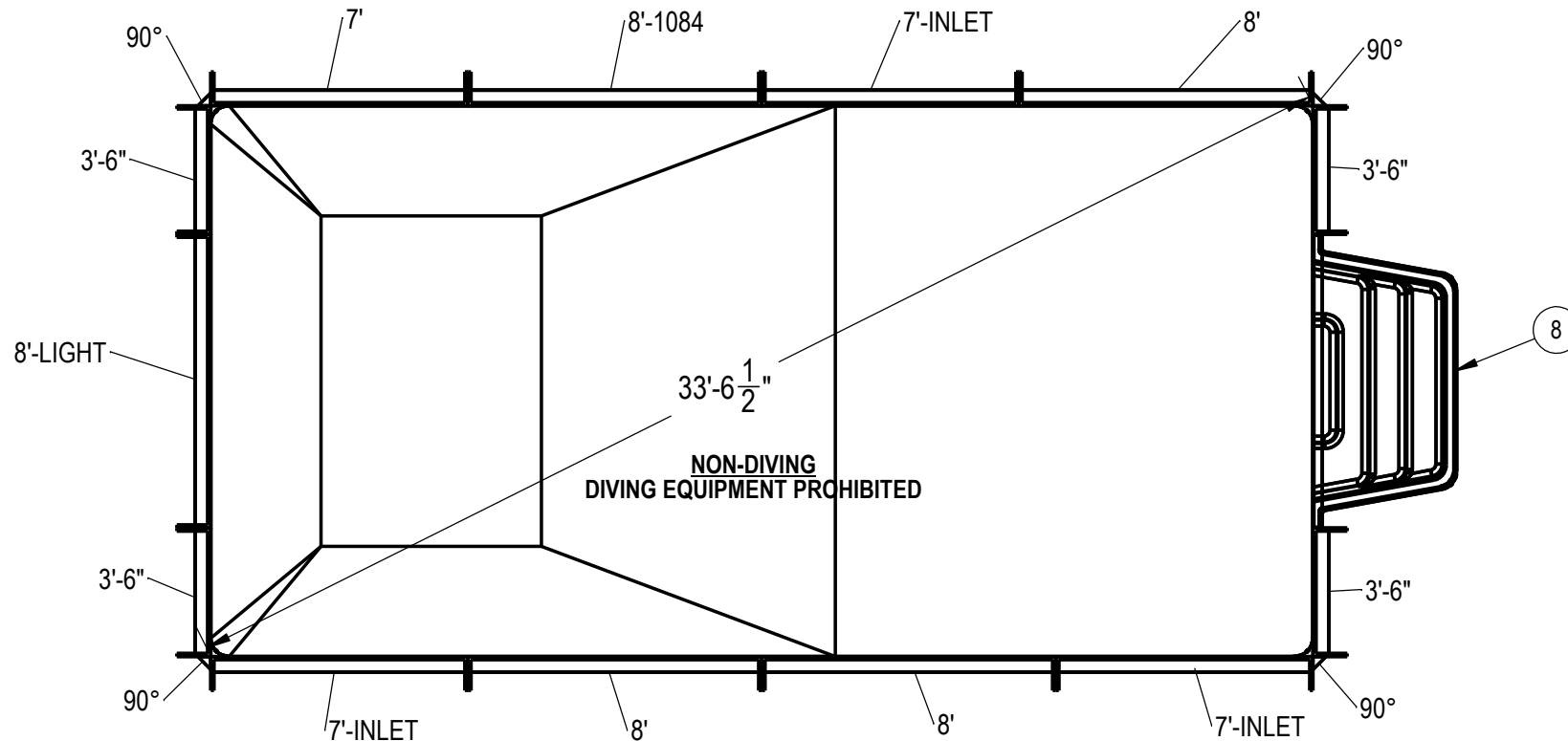


REVISION HISTORY				
REV.	DESCRIPTION	DATE	ECO	BY

MIRROR NUMBER: 00017010
CHECK IN DATE/TIME: Tuesday, April 03, 2018 2:58:28 PM



NOTES:

- THESE ARE FINISHED DIMENSIONS READY FOR THE LINER.
- DIMENSIONS ARE FROM INSIDE POOL PANELS.
- ROPE AND FLOAT ASSEMBLY SHOULD BE INSTALLED IN ACCORDANCE WITH CURRENT ANSI/ASPS/ICC REGULATIONS
- HYDRA LINER TRACK FOR STEPS IS INSTALLED WITH THE BARB FACING THE RISER WALL ON THE STEP.

EXCAVATION NOTES:

- ROUGH EXCAVATION SHOULD BE 2" DEEPER IN EACH INSTANCE.
- SOIL TO HAVE MINIMUM BEARING CAPACITY OF 1500 PSF.
- LOCATE TOP OF POOL AT LEAST 6" ABOVE THE SURROUNDING LAND ELEVATION.
- SEE "OVER DIG DETAIL" FOR EXCAVATION AROUND POOL.
- FILL VOIDS UNDER BASE OF PANELS AND TAMP WELL.
- BACK FILL WITH NON-EXPANSIVE MATERIAL.
- FOLLOW ALL CURRENT ANSI / APSP / ICC GUIDELINES FOR RESIDENTIAL POOLS

IMPORTANT NOTES:

THIS DOCUMENT IS FOR ILLUSTRATIVE PURPOSES ONLY. THE DEALER OR CONTRACTOR WHO SELLS OR INSTALLS YOUR POOL IS AN INDEPENDENT CONTRACTOR AND IS NOT AN AGENT OF THE MANUFACTURER. THE CONSTRUCTION METHODS ILLUSTRATED HERE ARE SUGGESTIONS AND APPLY ONLY TO NORMAL GROUND CONDITIONS. THERE MAY BE ADDITIONAL PRECAUTIONS AND/OR METHODS OF CONSTRUCTION. PROPER INSTALLATION IS THE RESPONSIBILITY OF THE DEALER/BUILDER/CONTRACTOR.

ITEM	FILE NAME	DESCRIPTION	CUSTOMER DRAWING #	VENDOR PART #	QTY.
1	PANEL, STRAIGHT	PANEL, 8' LONG, LIGHT, 700 SERIES	HPSE108L	00004962	1
2	PANEL, STRAIGHT	PANEL, 8' LONG, 1084, 700 SERIES	HPSE10884	00004966	1
3	PANEL, STRAIGHT	PANEL, 8' LONG, 700 SERIES	HPSE108P	00004961	3
4	PANEL, STRAIGHT	PANEL, 3'-6" LONG, 700 SERIES	HPSD1036P	00002022	4
5	PANEL, STRAIGHT	PANEL, 7' LONG, INLET, 700 SERIES	HPSCS8	00007757	3
6	PANEL, STRAIGHT	PANEL, 7' LONG, 700 SERIES	HPSE107P	00006045	1
7	PANEL, WEDGE	WEDGE, 2 1/2' X 2 1/2' X 90°	HPSD6CA	00003541	4
8	HS110N	STEP, 8", TWIN SEAT, 4 TREAD	HS110N	HS110N	1
9	SBRACE	BRACE, FOLD OVER WITH TURNBUCKLE, STEEL, HPSFOB	HPSFOB	HPSFOB	18
10	BOLT, PACK	BOLT, FLANGE, 3/8-16 X 1", PACK (50)	HPS1916	HPS1916	4

ENGINEERING DRAWING NUMBER: 00018098	WEIGHT: 135232.6 lbs	UNLESS OTHERWISE SPECIFIED DIMENSIONS ARE IN INCHES TOLERANCES DECIMALS: X ± .1 XX ± .01 XXX ± .001 XXXX ± .0005 ANGULAR: X ± 0.5 THIRD ANGLE PROJECTION
	VOLUME: Inch³	
	COLOR:	
	HEAT TREAT:	
	FINISH:	
	TEXTURE:	

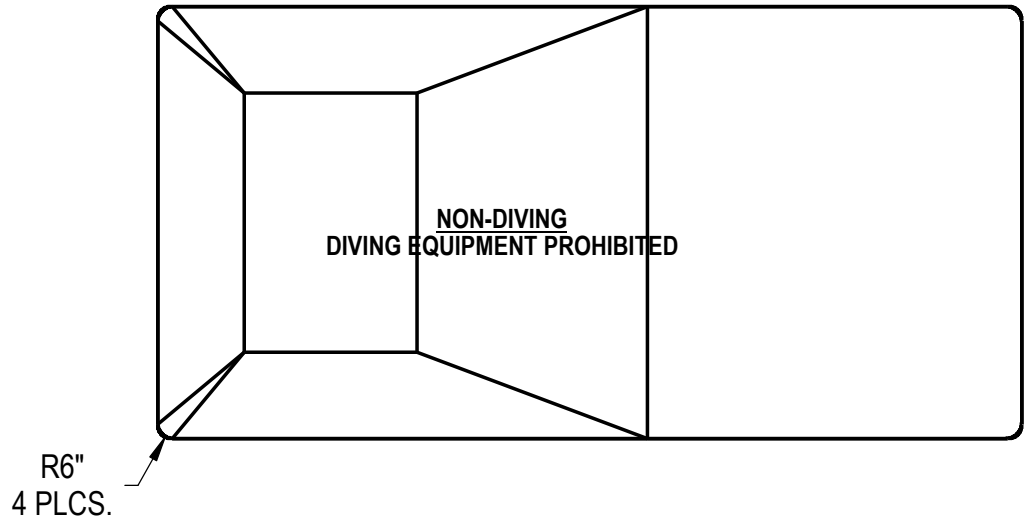
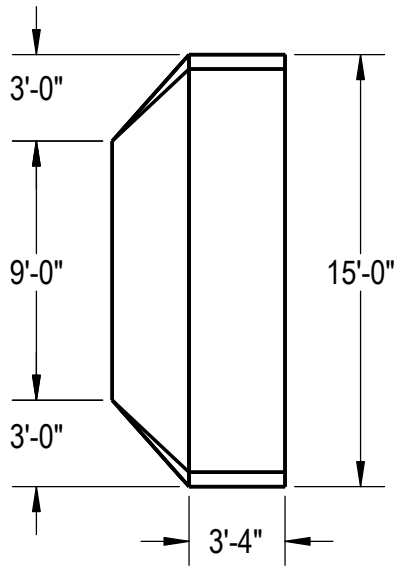
DESIGNED BY: BUMPHREY	CREATION DATE: 4/2/2013
DETAILED BY: JRITTENHOUSE	DETAILED DATE: 4/3/2018
LAST REVISED BY: rhouston	LAST REVISED DATE: 4/3/2018
MATERIAL:	

HYDRA POOLS

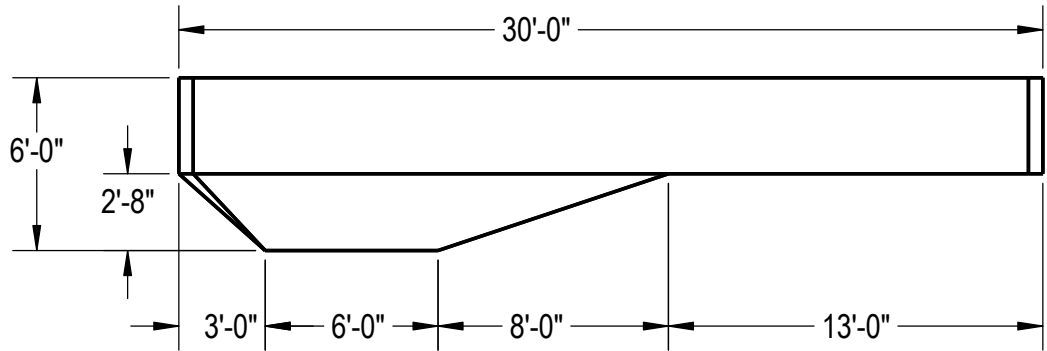
TITLE: **LAYOUT, 15' X 30', RECTANGLE, 6" RADIUS, 6" DEEP, HS110N, LIGHT, 1084, 3-INLET, 700 SERIES**

PART NUMBER: **00018098**

SCALE: 1:64	SIZE: A
SHEET: 1 OF 3	



Area: 449.79ft ^2
Perimeter: 89.14ft
Volume = 14077 US gallons



NOTES:

1. THESE ARE FINISHED DIMENSIONS READY FOR THE LINER.
2. DIMENSIONS ARE FROM INSIDE POOL PANELS.
3. ROPE AND FLOAT ASSEMBLY SHOULD BE INSTALLED IN ACCORDANCE WITH CURRENT ANSI/ASPS/ICC REGULATIONS
4. HYDRA LINER TRACK FOR STEPS IS INSTALLED WITH THE BARB FACING THE RISER WALL ON THE STEP.

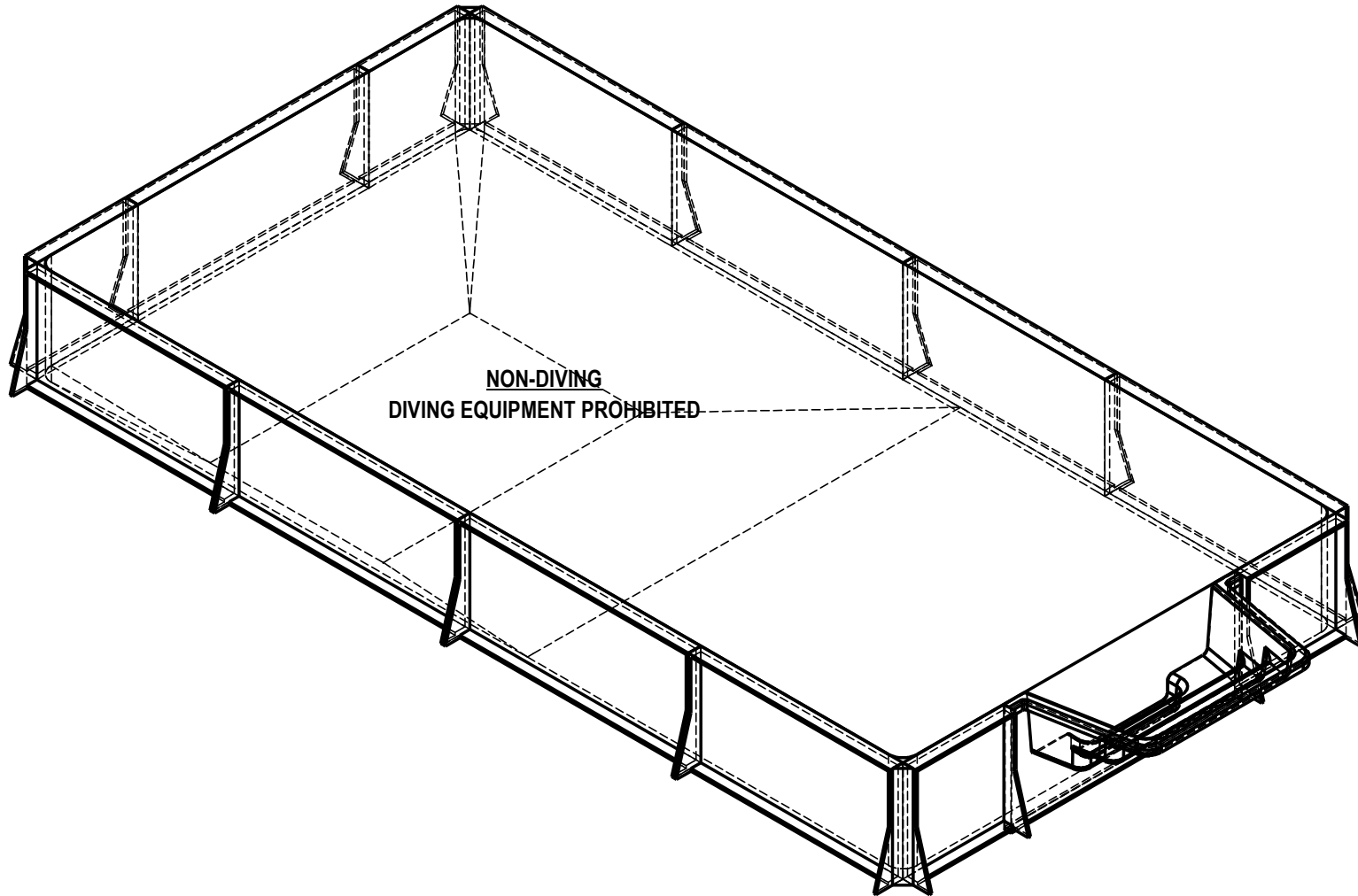
EXCAVATION NOTES:

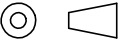
5. ROUGH EXCAVATION SHOULD BE 2" DEEPER IN EACH INSTANCE.
6. SOIL TO HAVE MINIMUM BEARING CAPACITY OF 1500 PSF.
7. LOCATE TOP OF POOL AT LEAST 6" ABOVE THE SURROUNDING LAND ELEVATION.
8. SEE "OVER DIG DETAIL" FOR EXCAVATION AROUND POOL.
9. FILL VOIDS UNDER BASE OF PANELS AND TAMP WELL.
10. BACK FILL WITH NON-EXPANSIVE MATERIAL.
11. FOLLOW ALL CURRENT ANSI / APSP / ICC GUIDELINES FOR RESIDENTIAL POOLS

IMPORTANT NOTES:

THIS DOCUMENT IS FOR ILLUSTRATIVE PURPOSES ONLY. THE DEALER OR CONTRACTOR WHO SELLS OR INSTALLS YOUR POOL IS AN INDEPENDENT CONTRACTOR AND IS NOT AN AGENT OF THE MANUFACTURER. THE CONSTRUCTION METHODS ILLUSTRATED HERE ARE SUGGESTIONS AND APPLY ONLY TO NORMAL GROUND CONDITIONS. THERE MAY BE ADDITIONAL PRECAUTIONS AND/OR METHODS OF CONSTRUCTION. PROPER INSTALLATION IS THE RESPONSIBILITY OF THE DEALER/BUILDER/CONTRACTOR.

ENGINEERING DRAWING NUMBER: 00018098	WEIGHT: 117480.402 lbs	UNLESS OTHERWISE SPECIFIED DIMENSIONS ARE IN INCHES TOLERANCES DECIMALS: X ± .1 XX ± .01 XXX ± .001 XXXX ± .0005 ANGULAR: X ± 0.5 THIRD ANGLE PROJECTION 	DESIGNED BY: BUMPHREY	CREATION DATE: 4/2/2013	HYDRA POOLS	
	VOLUME: 3251847.244 Inch³		DETAILED BY: JRITTENHOUSE	DETAILED DATE: 4/3/2018		
	COLOR: NA		LAST REVISED BY: rhouston	LAST REVISED DATE: 4/3/2018	TITLE: LAYOUT, 15' X 30', RECTANGLE, 6" RADIUS, 6" DEEP, HS110N, LIGHT, 1084, 3-INLET, 700 SERIES	
	HEAT TREAT: NA		MATERIAL: Water			
FINISH: NA					SHEET: 2 OF 3	
TEXTURE: NA						



ENGINEERING DRAWING NUMBER: 00018098	WEIGHT: 135232.6 lbs	UNLESS OTHERWISE SPECIFIED DIMENSIONS ARE IN INCHES TOLERANCES DECIMALS: X ± .1 XX ± .01 XXX ± .001 XXXX ± .0005 ANGULAR: X ± 0.5 THIRD ANGLE PROJECTION 	DESIGNED BY: BUMPHREY	CREATION DATE: 4/2/2013	HYDRA POOLS
	VOLUME: Inch³		DETAILED BY: JRITTENHOUSE	DETAILED DATE: 4/3/2018	
	COLOR:		LAST REVISED BY: rhouston	LAST REVISED DATE: 4/3/2018	
	HEAT TREAT:		TITLE: LAYOUT, 15' X 30', RECTANGLE, 6" RADIUS, 6" DEEP, HS110N, LIGHT, 1084, 3-INLET, 700 SERIES		
	FINISH:				
	TEXTURE:				
PART NUMBER: <div style="font-size: 24pt; font-weight: bold; text-align: center;">00018098</div>		SCALE: 1:64	SIZE: A		
		SHEET: 3 OF 3			