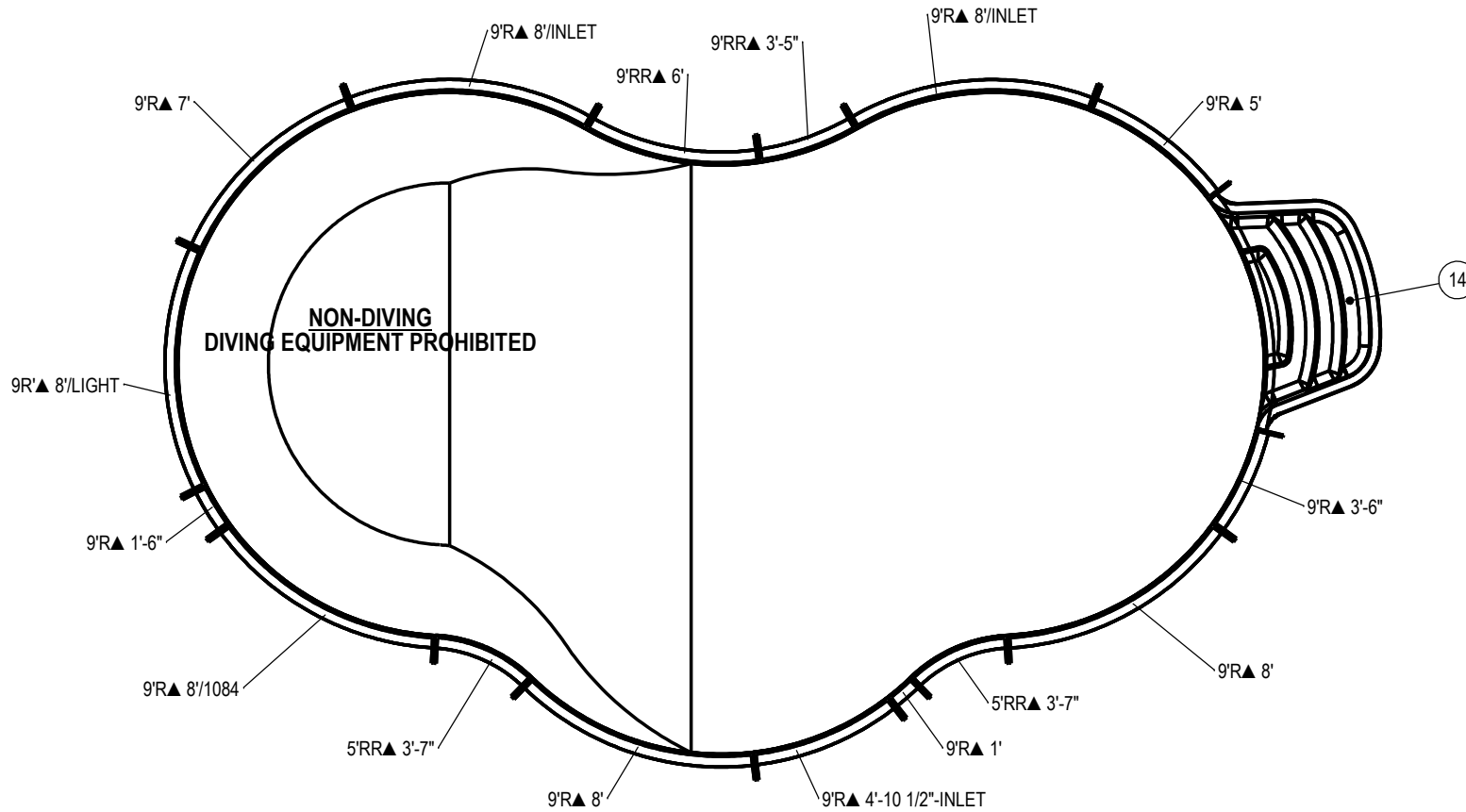


REVISION HISTORY				
REV.	DESCRIPTION	DATE	ECO	BY



**NOTES:**

- THESE ARE FINISHED DIMENSIONS READY FOR THE LINER.
- DIMENSIONS ARE FROM INSIDE POOL PANELS.
- ROPE AND FLOAT ASSEMBLY SHOULD BE INSTALLED IN ACCORDANCE WITH CURRENT ANSI/ASPS/ICC REGULATIONS
- HYDRA LINER TRACK FOR STEPS IS INSTALLED WITH THE BARB FACING THE RISER WALL ON THE STEP.

**EXCAVATION NOTES:**

- ROUGH EXCAVATION SHOULD BE 2" DEEPER IN EACH INSTANCE.
- SOIL TO HAVE MINIMUM BEARING CAPACITY OF 1500 PSF.
- LOCATE TOP OF POOL AT LEAST 6" ABOVE THE SURROUNDING LAND ELEVATION.
- SEE "OVER DIG DETAIL" FOR EXCAVATION AROUND POOL.
- FILL VOIDS UNDER BASE OF PANELS AND TAMP WELL.
- BACK FILL WITH NON-EXPANSIVE MATERIAL.
- FOLLOW ALL CURRENT ANSI / APSP / ICC GUIDELINES FOR RESIDENTIAL POOLS

**IMPORTANT NOTES:**

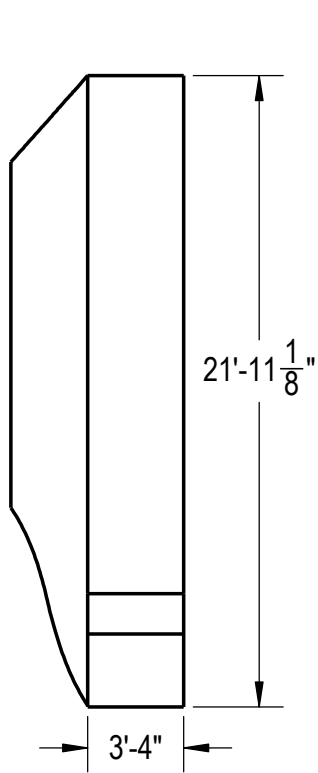
THIS DOCUMENT IS FOR ILLUSTRATIVE PURPOSES ONLY. THE DEALER OR CONTRACTOR WHO SELLS OR INSTALLS YOUR POOL IS AN INDEPENDENT CONTRACTOR AND IS NOT AN AGENT OF THE MANUFACTURER. THE CONSTRUCTION METHODS ILLUSTRATED HERE ARE SUGGESTIONS AND APPLY ONLY TO NORMAL GROUND CONDITIONS. THERE MAY BE ADDITIONAL PRECAUTIONS AND/OR METHODS OF CONSTRUCTION. PROPER INSTALLATION IS THE RESPONSIBILITY OF THE DEALER/BUILDER/CONTRACTOR.

ITEM	FILE NAME	DESCRIPTION	CUSTOMER DRAWING #	VENDOR PART #	QTY.
1	PANEL, RADIUS	PANEL, 9' RADIUS, 8' LONG, LIGHT, 600 SERIES	HPSD9R8L	00000398	1
2	PANEL, RADIUS	PANEL, 9' RADIUS, 8' LONG, 1084, 600 SERIES	HPS9R884	00000272	1
3	PANEL, RADIUS	PANEL, 9' RADIUS, 8', INLET OR LED, 600 SERIES	HPS9R8I	00000275	2
4	PANEL, RADIUS	PANEL, 9' RADIUS, 7' LONG, 600 SERIES	HPSD9R7	00000394	1
5	PANEL, RADIUS	PANEL, 9' RADIUS, 1'-6" LONG, 600 SERIES	HPSD9R16	00001698	1
6	PANEL, RADIUS	PANEL, 9' RADIUS, 8' LONG, 600 SERIES	HPSD9R8	00000395	2
7	PANEL, RADIUS	PANEL, 9' RADIUS, 4'-10 1/2" LONG, INLET, 600 SERIES	HPSCR5	00008259	1
8	PANEL, RADIUS	PANEL, 9' RADIUS, 1' LONG, 600 SERIES	HPSD9R1	00000348	1
9	PANEL, RADIUS	PANEL, 9' RADIUS, 5' LONG, 600 SERIES	HPSD9R5	00000354	1
10	PANEL, RADIUS	PANEL, 9' RADIUS, 3'-6" LONG, 600 SERIES	HPSCR4	00006207	1
11	PANEL, RR	PANEL, 5' REVERSE RADIUS, 3'-7" LONG, 600 SERIES	HPSCR44	00009607	2
12	PANEL, RR	PANEL, 9' REVERSE RADIUS, 6' LONG, 600 SERIES	HPSD9RR6	00000393	1
13	PANEL, RR	PANEL, 9' REVERSE RADIUS, 3'-5" LONG, 600 SERIES	HPSCR44	00006974	1
14	HS311N	STEP, 8' RADIUS, 4 TREAD, CANTILEVER	HS311N	HS311N	1
15	SBRACE	BRACE, FOLD OVER WITH TURNBUCKLE, STEEL, HPSFOB	HPSFOB	HPSFOB	17
16	BOLT, PACK	BOLT, FLANGE, 3/8-16 X 1", PACK (50)	HPS1916	HPS1916	4

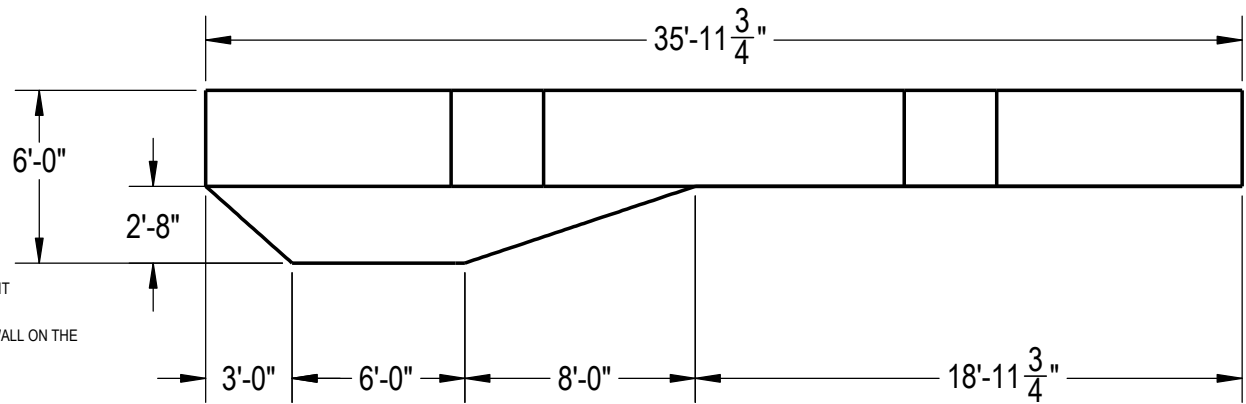
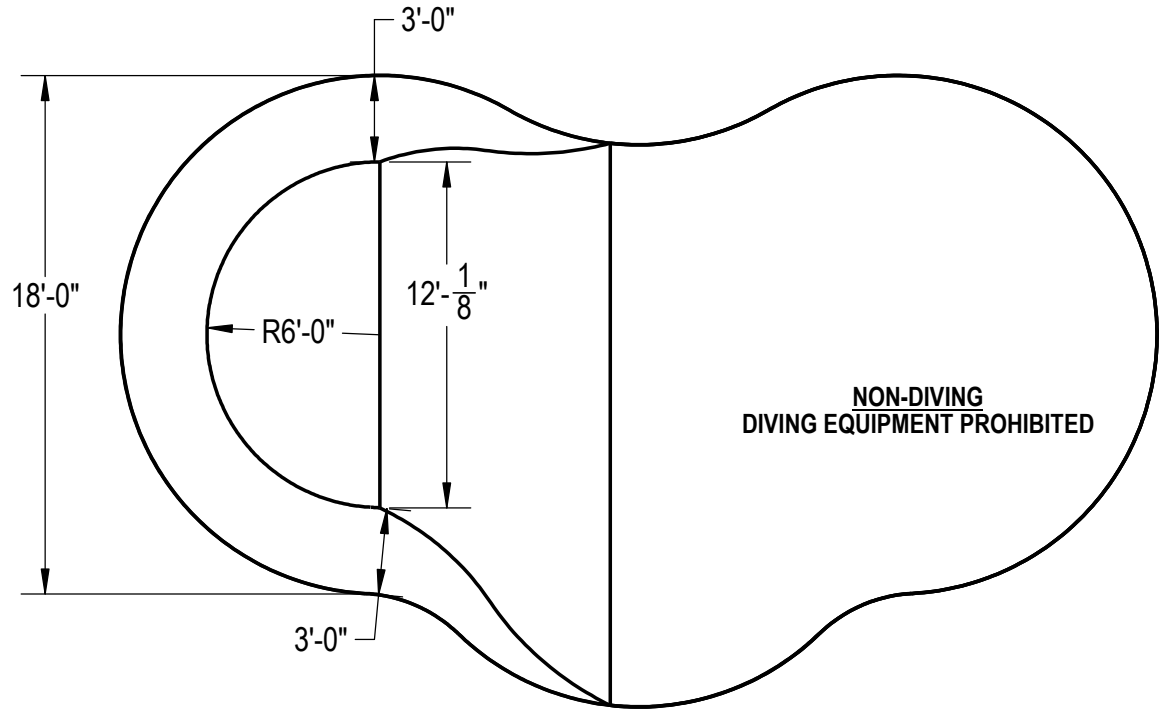
ENGINEERING DRAWING NUMBER: <b>00018232</b>	WEIGHT: 169212.8 lbs	<b>UNLESS OTHERWISE SPECIFIED</b> DIMENSIONS ARE IN INCHES TOLERANCES DECIMALS: X ± .1 XX ± .01 XXX ± .001 XXXX ± .0005  ANGULAR: X ± 0.5 THIRD ANGLE PROJECTION 
	VOLUME: Inch³	
	COLOR:	
	HEAT TREAT:	
	FINISH:	
	TEXTURE:	

DESIGNED BY: <b>BUMPHREY</b>	CREATION DATE: <b>6/30/2015</b>
DETAILED BY: <b>JRITTENHOUSE</b>	DETAILED DATE: <b>4/6/2018</b>
LAST REVISED BY: <b>rhouston</b>	LAST REVISED DATE: <b>4/6/2018</b>
MATERIAL:	

<b>HYDRA POOLS</b>	
TITLE: <b>LAYOUT, 18' X 36', LAGOON, RIGHT, 6' DEEP, HS311N, LIGHT, 1084, 3-INLETS, 600 SERIES</b>	
PART NUMBER:	SCALE: 1:72 SHEET: 1 OF 4
<b>00018232</b>	<b>A</b>



**Area: 598.71ft ^2**  
**Perimeter: 95.43ft**  
**Volume = 18043 US gallons**



**NOTES:**

1. THESE ARE FINISHED DIMENSIONS READY FOR THE LINER.
2. DIMENSIONS ARE FROM INSIDE POOL PANELS.
3. ROPE AND FLOAT ASSEMBLY SHOULD BE INSTALLED IN ACCORDANCE WITH CURRENT ANSI/APSP/ICC REGULATIONS
4. HYDRA LINER TRACK FOR STEPS IS INSTALLED WITH THE BARB FACING THE RISER WALL ON THE STEP.

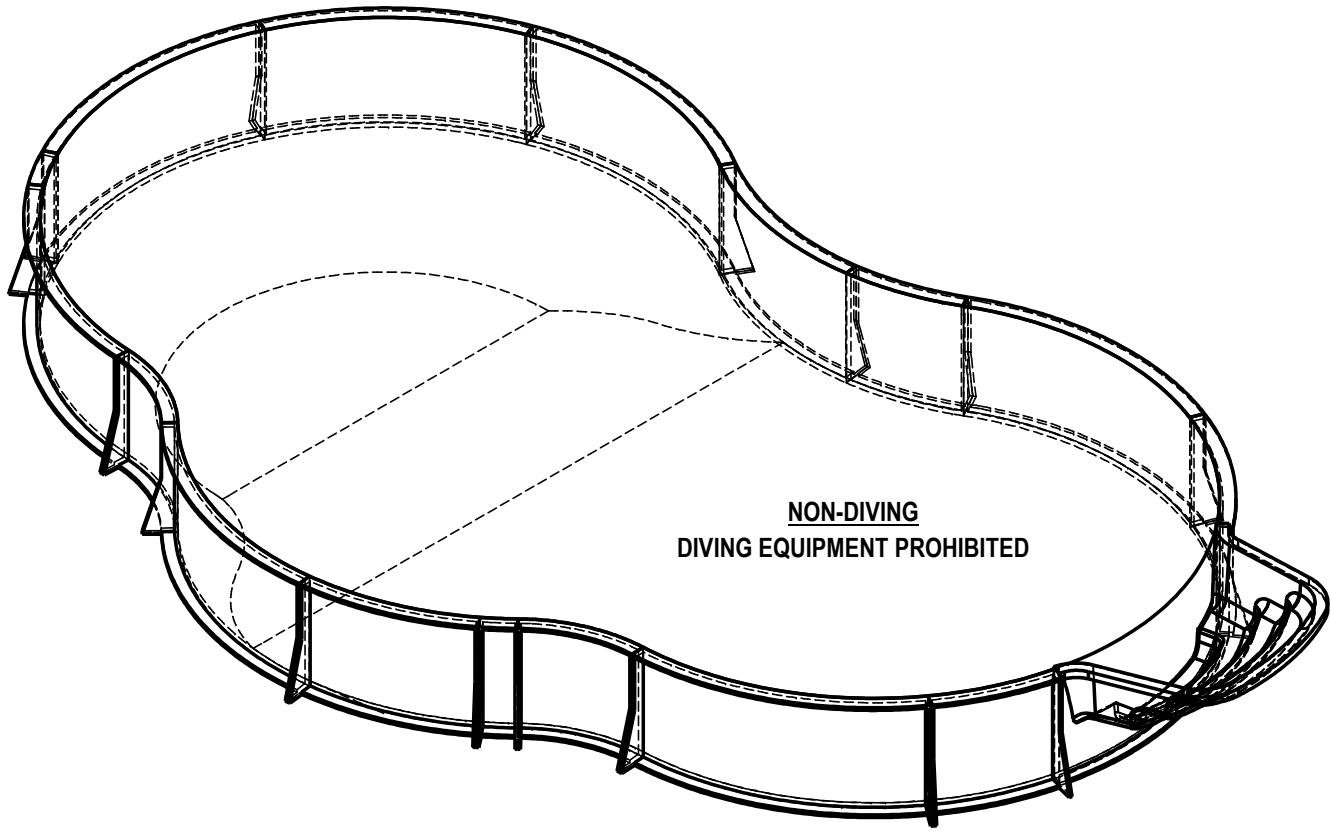
**EXCAVATION NOTES:**

5. ROUGH EXCAVATION SHOULD BE 2" DEEPER IN EACH INSTANCE.
6. SOIL TO HAVE MINIMUM BEARING CAPACITY OF 1500 PSF.
7. LOCATE TOP OF POOL AT LEAST 6" ABOVE THE SURROUNDING LAND ELEVATION.
8. SEE "OVER DIG DETAIL" FOR EXCAVATION AROUND POOL.
9. FILL VOIDS UNDER BASE OF PANELS AND TAMP WELL.
10. BACK FILL WITH NON-EXPANSIVE MATERIAL.
11. FOLLOW ALL CURRENT ANSI / APSP / ICC GUIDELINES FOR RESIDENTIAL POOLS

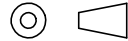
**IMPORTANT NOTES:**

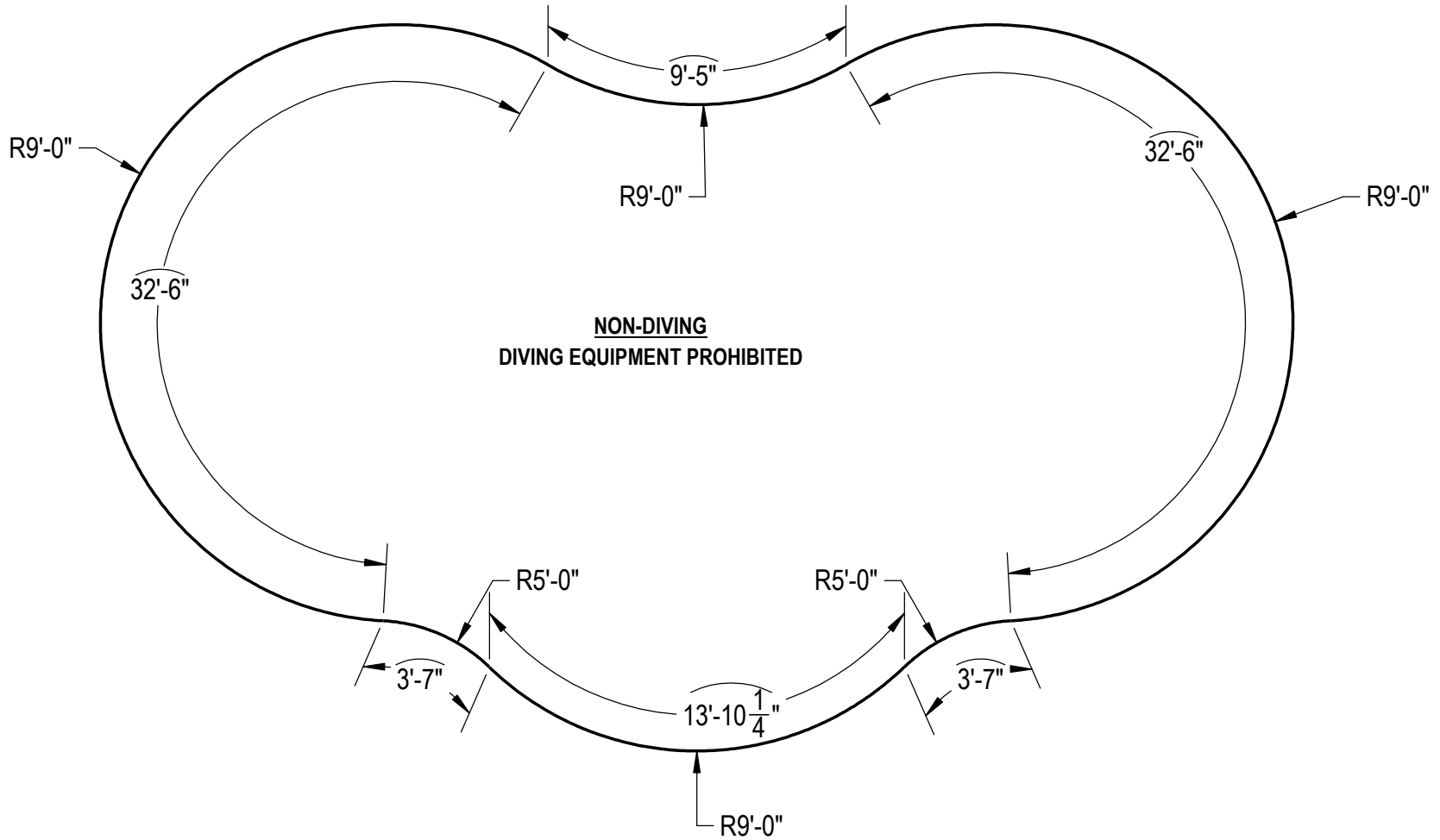
THIS DOCUMENT IS FOR ILLUSTRATIVE PURPOSES ONLY. THE DEALER OR CONTRACTOR WHO SELLS OR INSTALLS YOUR POOL IS AN INDEPENDENT CONTRACTOR AND IS NOT AN AGENT OF THE MANUFACTURER. THE CONSTRUCTION METHODS ILLUSTRATED HERE ARE SUGGESTIONS AND APPLY ONLY TO NORMAL GROUND CONDITIONS. THERE MAY BE ADDITIONAL PRECAUTIONS AND/OR METHODS OF CONSTRUCTION. PROPER INSTALLATION IS THE RESPONSIBILITY OF THE DEALER/BUILDER/CONTRACTOR.

ENGINEERING DRAWING NUMBER: <b>00018232</b>	WEIGHT: 150573.310 lbs VOLUME: 4167856.047 Inch <sup>3</sup>	<b>UNLESS OTHERWISE SPECIFIED</b> DIMENSIONS ARE IN INCHES TOLERANCES DECIMALS: X ± .1 XX ± .01 XXX ± .001 XXXX ± .0005 ANGULAR: X ± 0.5 THIRD ANGLE PROJECTION 	DESIGNED BY: <b>BUMPHREY</b>	CREATION DATE: <b>6/30/2015</b>	<b>HYDRA POOLS</b>	
	COLOR: NA HEAT TREAT: NA FINISH: NA TEXTURE: NA		DETAILED BY: <b>JRITTENHOUSE</b>	DETAILED DATE: <b>4/6/2018</b>		
	MATERIAL: <b>Water</b>		LAST REVISED BY: <b>rhouston</b>	LAST REVISED DATE: <b>4/6/2018</b>	TITLE: <b>LAYOUT, 18' X 36', LAGOON, RIGHT, 6' DEEP, HS311N, LIGHT, 1084, 3-INLETS, 600 SERIES</b>	
	PART NUMBER: <b>00018232</b>			SCALE: 1:72 SHEET: 2 OF 4	SIZE: <b>A</b>	



**NON-DIVING  
DIVING EQUIPMENT PROHIBITED**

ENGINEERING DRAWING NUMBER: <b>00018232</b>	WEIGHT:	169212.8 lbs	<b>UNLESS OTHERWISE SPECIFIED</b> DIMENSIONS ARE IN INCHES TOLERANCES DECIMALS: X ± .1 XX ± .01 XXX ± .001 XXXX ± .0005 ANGULAR: X ± 0.5 THIRD ANGLE PROJECTION 	DESIGNED BY:	<b>BUMPHREY</b>	CREATION DATE:	<b>6/30/2015</b>	<b>HYDRA POOLS</b>				
	VOLUME:	Inch <sup>3</sup>		DETAILED BY:	<b>JRITTENHOUSE</b>	DETAILED DATE:	<b>4/6/2018</b>					
	COLOR:			LAST REVISED BY:	<b>rhouston</b>	LAST REVISED DATE:	<b>4/6/2018</b>	TITLE:	<b>LAYOUT, 18' X 36', LAGOON, RIGHT, 6' DEEP, HS311N, LIGHT, 1084, 3-INLETS, 600 SERIES</b>			
	HEAT TREAT:			MATERIAL:		PART NUMBER:	<b>00018232</b>		SCALE:	1:60	SIZE:	<b>A</b>
	FINISH:					SHEET:			3 OF 4			
	TEXTURE:											



ENGINEERING DRAWING NUMBER: <b>00018232</b>	WEIGHT: <b>150573.310 lbs</b>	<b>UNLESS OTHERWISE SPECIFIED</b> DIMENSIONS ARE IN INCHES TOLERANCES DECIMALS: X ± .1 XX ± .01 XXX ± .001 XXXX ± .0005  ANGULAR: X ± 0.5 THIRD ANGLE PROJECTION 	DESIGNED BY: <b>BUMPHREY</b>	CREATION DATE: <b>6/30/2015</b>	<b>HYDRA POOLS</b>	
	VOLUME: <b>4167856.047 Inch³</b>		DETAILED BY: <b>JRITTENHOUSE</b>	DETAILED DATE: <b>4/6/2018</b>		
	COLOR: <b>NA</b>		LAST REVISED BY: <b>rhouston</b>	LAST REVISED DATE: <b>4/6/2018</b>	TITLE: <b>LAYOUT, 18' X 36', LAGOON, RIGHT, 6' DEEP, HS311N, LIGHT, 1084, 3-INLETS, 600 SERIES</b>	
	HEAT TREAT: <b>NA</b>		MATERIAL: <b>Water</b>			
	FINISH: <b>NA</b>		PART NUMBER: <b>00018232</b>			
TEXTURE: <b>NA</b>			SHEET: <b>4 OF 4</b>			