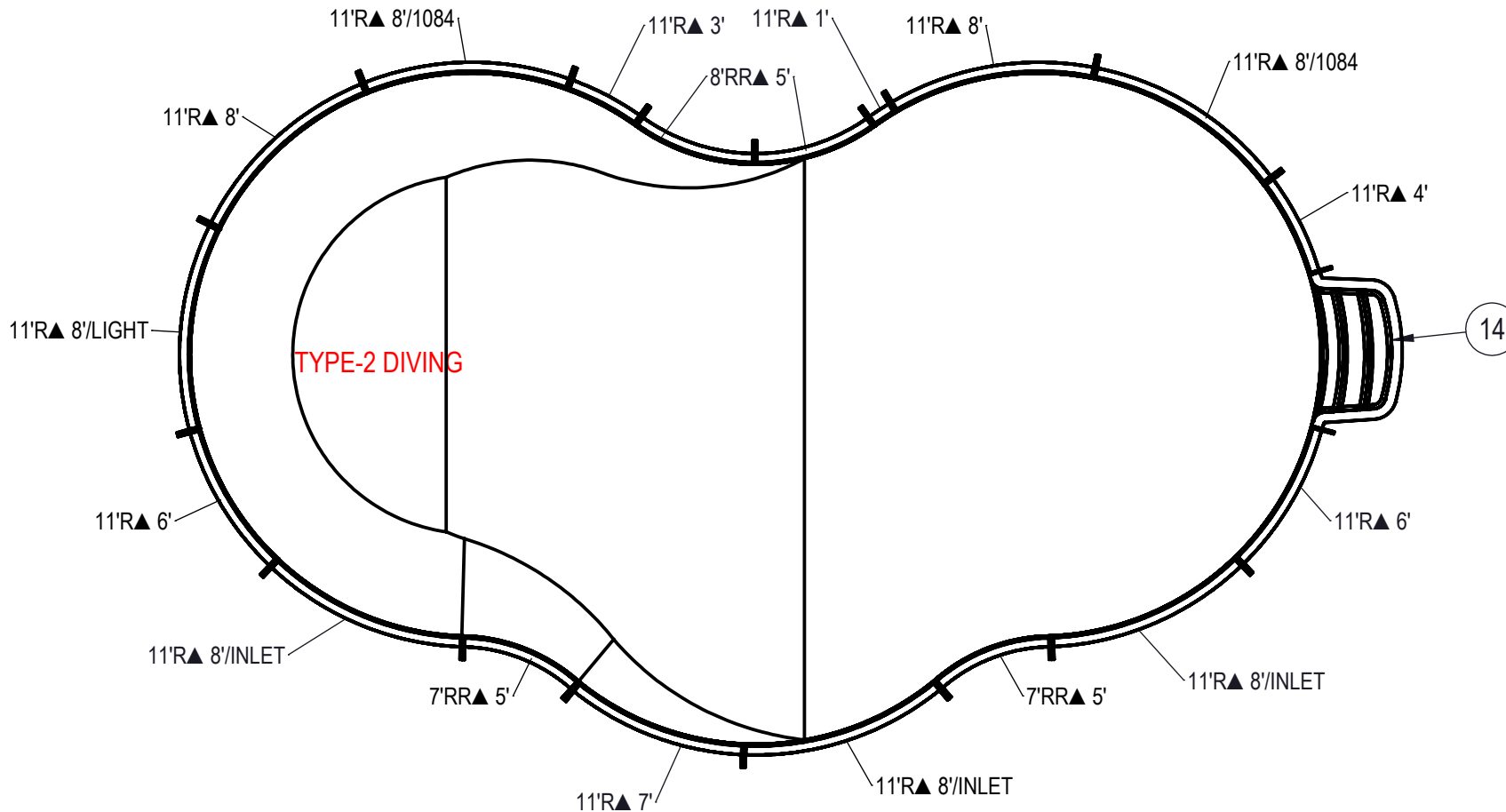


REVISION HISTORY				
REV.	DESCRIPTION	DATE	ECO	BY



NOTES:

- THESE ARE FINISHED DIMENSIONS READY FOR THE LINER.
- DIMENSIONS ARE FROM INSIDE POOL PANELS.
- ROPE AND FLOAT ASSEMBLY SHOULD BE INSTALLED IN ACCORDANCE WITH CURRENT ANSI/ASPS/ICC REGULATIONS
- HYDRA LINER TRACK FOR STEPS IS INSTALLED WITH THE BARB FACING THE RISER WALL ON THE STEP.

EXCAVATION NOTES:

- ROUGH EXCAVATION SHOULD BE 2' DEEPER IN EACH INSTANCE.
- SOIL TO HAVE MINIMUM BEARING CAPACITY OF 1500 PSF.
- LOCATE TOP OF POOL AT LEAST 6" ABOVE THE SURROUNDING LAND ELEVATION.
- SEE "OVER DIG DETAIL" FOR EXCAVATION AROUND POOL.
- FILL VOIDS UNDER BASE OF PANELS AND TAMP WELL.
- BACK FILL WITH NON-EXPANSIVE MATERIAL.
- FOLLOW ALL CURRENT ANSI / APSP / ICC GUIDELINES FOR RESIDENTIAL POOLS

IMPORTANT NOTES:

THIS DOCUMENT IS FOR ILLUSTRATIVE PURPOSES ONLY. THE DEALER OR CONTRACTOR WHO SELLS OR INSTALLS YOUR POOL IS AN INDEPENDENT CONTRACTOR AND IS NOT AN AGENT OF THE MANUFACTURER. THE CONSTRUCTION METHODS ILLUSTRATED HERE ARE SUGGESTIONS AND APPLY ONLY TO NORMAL GROUND CONDITIONS. THERE MAY BE ADDITIONAL PRECAUTIONS AND/OR METHODS OF CONSTRUCTION. PROPER INSTALLATION IS THE RESPONSIBILITY OF THE DEALER/BUILDER/CONTRACTOR.

ITEM	FILE NAME	DESCRIPTION	CUSTOMER DRAWING #	VENDOR PART #	QTY
1	BOLT, PACK	BOLT, FLANGE, 3/8-16 X 1", PACK (50)	HPS1916	HPS1916	5
2	SBRACE	BRACE, FOLD OVER WITH TURNBUCKLE, STEEL, HPSFOB	HPSFOB	HPSFOB	19
3	PANEL, RADIUS	PANEL, 11' RADIUS, 1' LONG, 600 SERIES	HPSD11R1	0000300	1
4	PANEL, RADIUS	PANEL, 11' RADIUS, 3' LONG, 600 SERIES	HPSD11R3	0000180	1
5	PANEL, RADIUS	PANEL, 11' RADIUS, 4' LONG, 600 SERIES	HPSD11R4	0000136	1
6	PANEL, RADIUS	PANEL, 11' RADIUS, 6' LONG, 600 SERIES	HPSD11R6	0000161	2
7	PANEL, RADIUS	PANEL, 11' RADIUS, 7' LONG, 600 SERIES	HPSD11R7	0000187	1
8	PANEL, RADIUS	PANEL, 11' RADIUS, 8' LONG, 600 SERIES	HPSD11R8	0000182	2
9	PANEL, RADIUS	PANEL, 11' RADIUS, 8' LONG, 1084, 600 SERIES	HPS11R884	00000248	2
10	PANEL, RADIUS	PANEL, 11' RADIUS, 8' LONG, INLET, 600 SERIES	HPSD11R8I	00000770	3
11	PANEL, RADIUS	PANEL, 11' RADIUS, 8' LONG, LIGHT, 600 SERIES	HPSD11R8L	00001196	1
12	PANEL, RR	PANEL, 7' REVERSE RADIUS, 5' LONG, 600 SERIES	HPSD7RR5	00001804	2
13	PANEL, RR	PANEL, 8' REVERSE RADIUS, 5' LONG, 600 SERIES	HPSD8RR5	00000143	2
14	HS303N	STEP, 9' RADIUS, 3 TREAD, CANTILEVER	HS303N	HS303N	1

ENGINEERING DRAWING NUMBER: 00017226	WEIGHT: 370638.3 lbs
	VOLUME: Inch ³
	COLOR:
	HEAT TREAT:
	FINISH:
	TEXTURE:

UNLESS OTHERWISE SPECIFIED
 DIMENSIONS ARE IN INCHES
 TOLERANCES
 DECIMALS: X ± .1
 XX ± .01
 XXX ± .001
 XXXX ± .0005
 ANGULAR: X ± 0.5
 THIRD ANGLE PROJECTION

DESIGNED BY:
BUMPHREY
 DETAILED BY:
BUMPHREY
 LAST REVISED BY:
bumphrey
 MATERIAL:

CREATION DATE:
7/19/2013
 DETAILED DATE:
1/15/2018
 LAST REVISED DATE:
1/15/2018

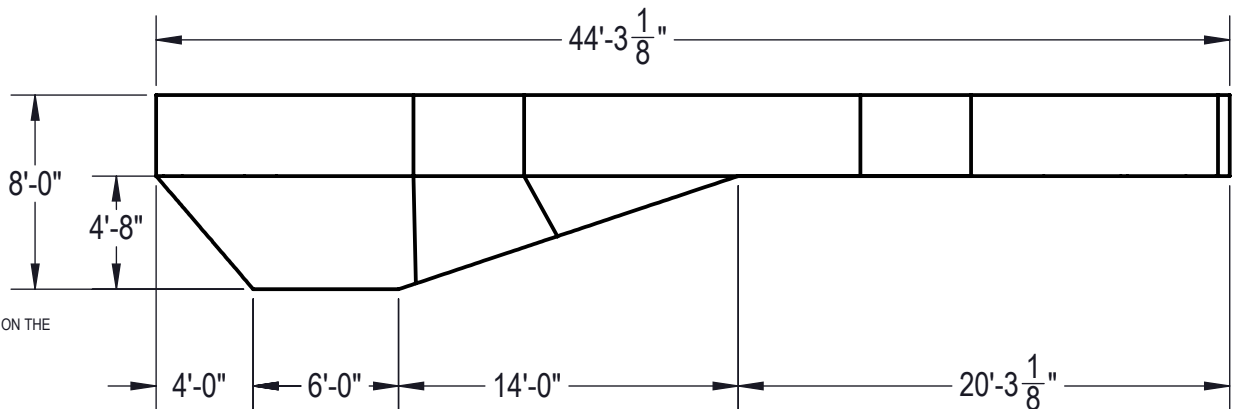
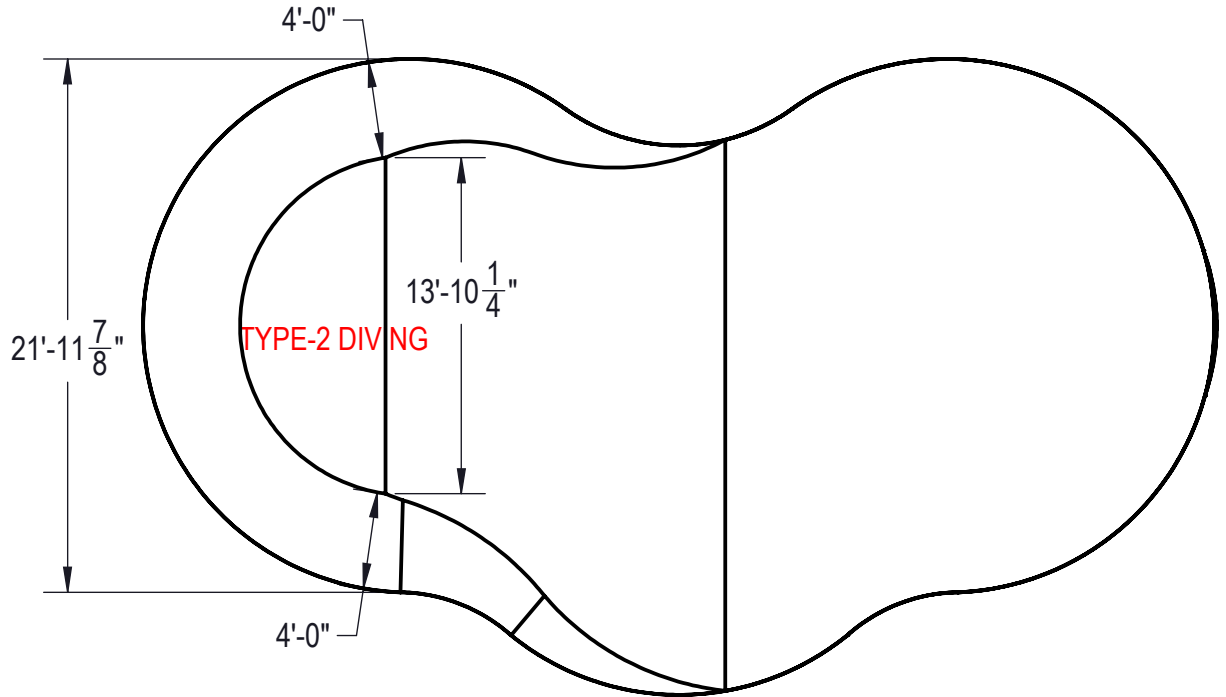
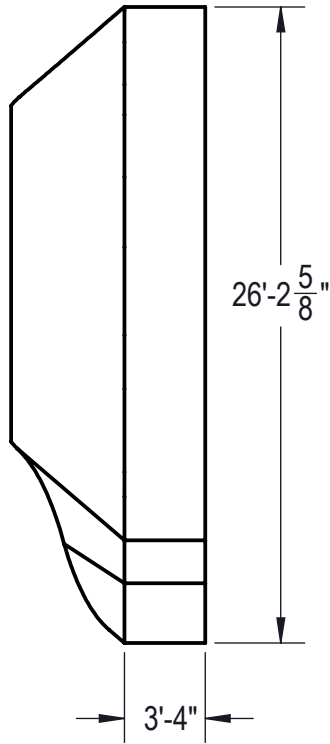
HYDRA POOLS

TITLE: LAYOUT, 22' X 44', LAGOON, RIGHT, 8' DEEP, HS303N, LIGHT, 2-1084, 3-INLET, 600 SERIES

PART NUMBER: **00017226**

SCALE: 1:128
 SHEET: 1 OF 5

SIZE: **A**



Area: 883.74ft ^2
Perimeter: 117.00ft
Volume = 30731 US gallons

NOTES:

1. THESE ARE FINISHED DIMENSIONS READY FOR THE LINER.
2. DIMENSIONS ARE FROM INSIDE POOL PANELS.
3. ROPE AND FLOAT ASSEMBLY SHOULD BE INSTALLED IN ACCORDANCE WITH CURRENT ANSI/ASPS/ICC REGULATIONS
4. HYDRA LINER TRACK FOR STEPS IS INSTALLED WITH THE BARB FACING THE RISER WALL ON THE STEP.

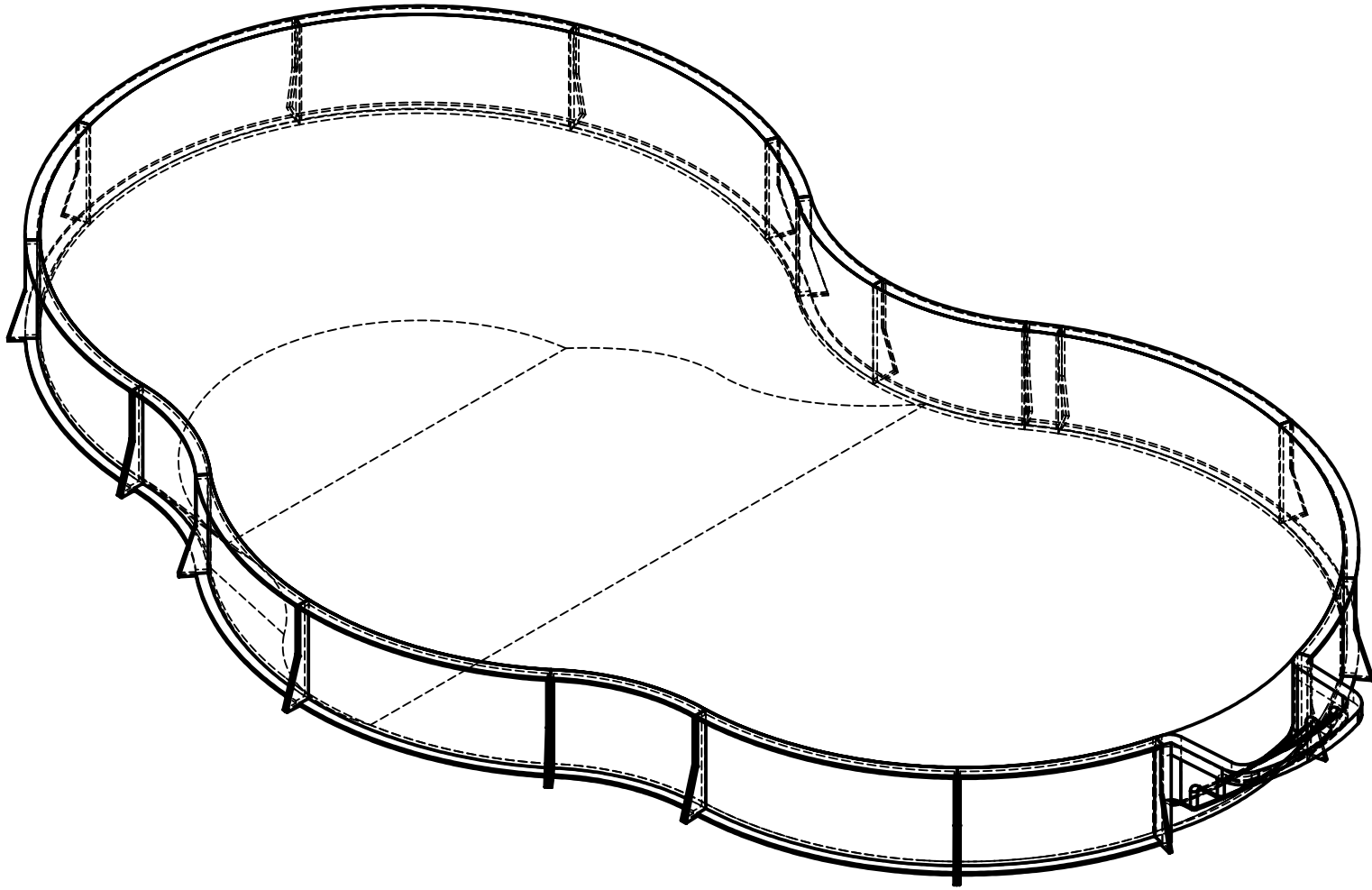
EXCAVATION NOTES:


5. ROUGH EXCAVATION SHOULD BE 2" DEEPER IN EACH INSTANCE.
6. SOIL TO HAVE MINIMUM BEARING CAPACITY OF 1500 PSF.
7. LOCATE TOP OF POOL AT LEAST 6" ABOVE THE SURROUNDING LAND ELEVATION.
8. SEE "OVER DIG DETAIL" FOR EXCAVATION AROUND POOL.
9. FILL VOIDS UNDER BASE OF PANELS AND TAMP WELL.
10. BACK FILL WITH NON-EXPANSIVE MATERIAL.
11. FOLLOW ALL CURRENT ANSI / APSP / ICC GUIDELINES FOR RESIDENTIAL POOLS

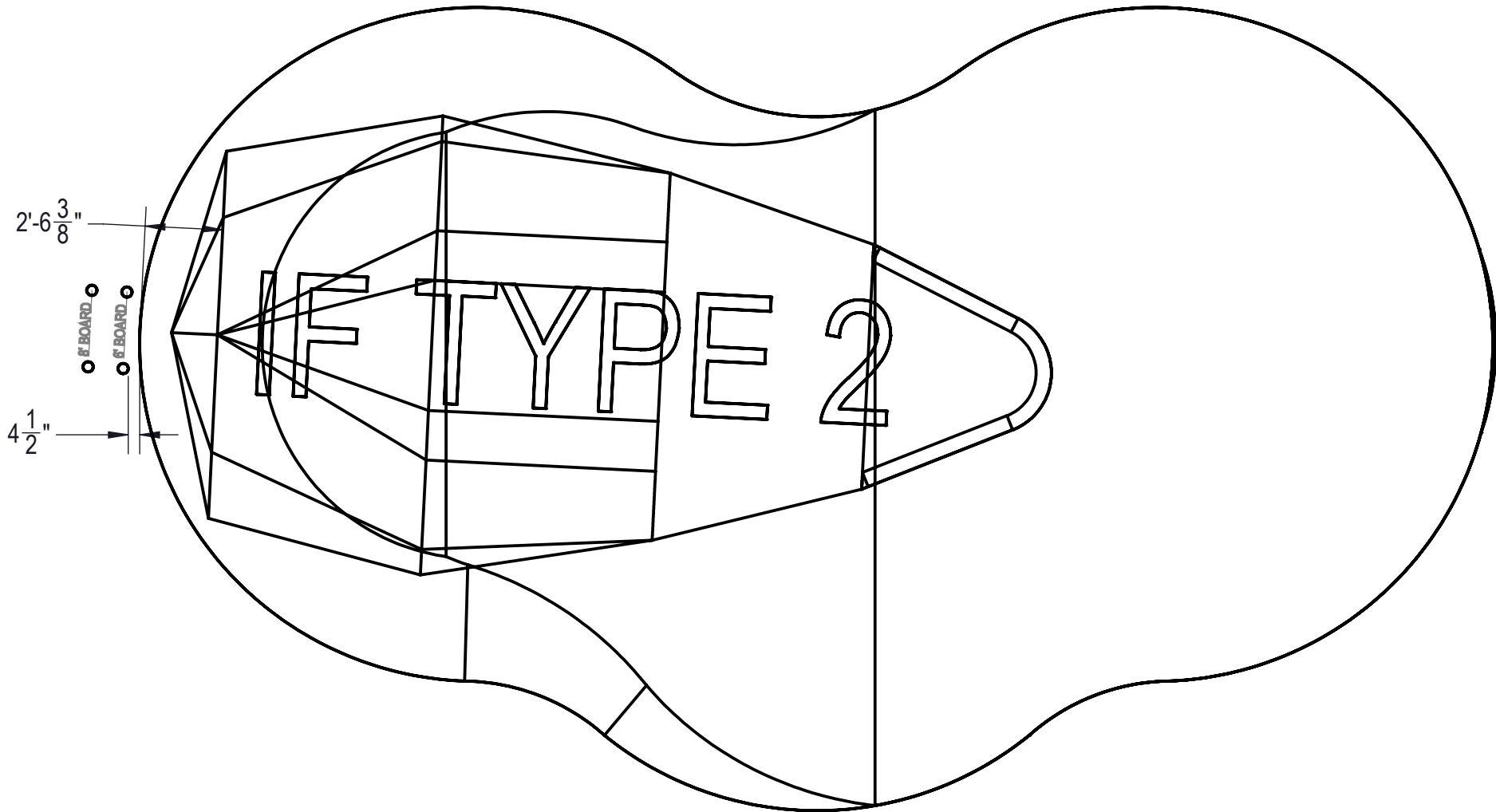
IMPORTANT NOTES:

THIS DOCUMENT IS FOR ILLUSTRATIVE PURPOSES ONLY. THE DEALER OR CONTRACTOR WHO SELLS OR INSTALLS YOUR POOL IS AN INDEPENDENT CONTRACTOR AND IS NOT AN AGENT OF THE MANUFACTURER. THE CONSTRUCTION METHODS ILLUSTRATED HERE ARE SUGGESTIONS AND APPLY ONLY TO NORMAL GROUND CONDITIONS. THERE MAY BE ADDITIONAL PRECAUTIONS AND/OR METHODS OF CONSTRUCTION. PROPER INSTALLATION IS THE RESPONSIBILITY OF THE DEALER/BUILDER/CONTRACTOR.

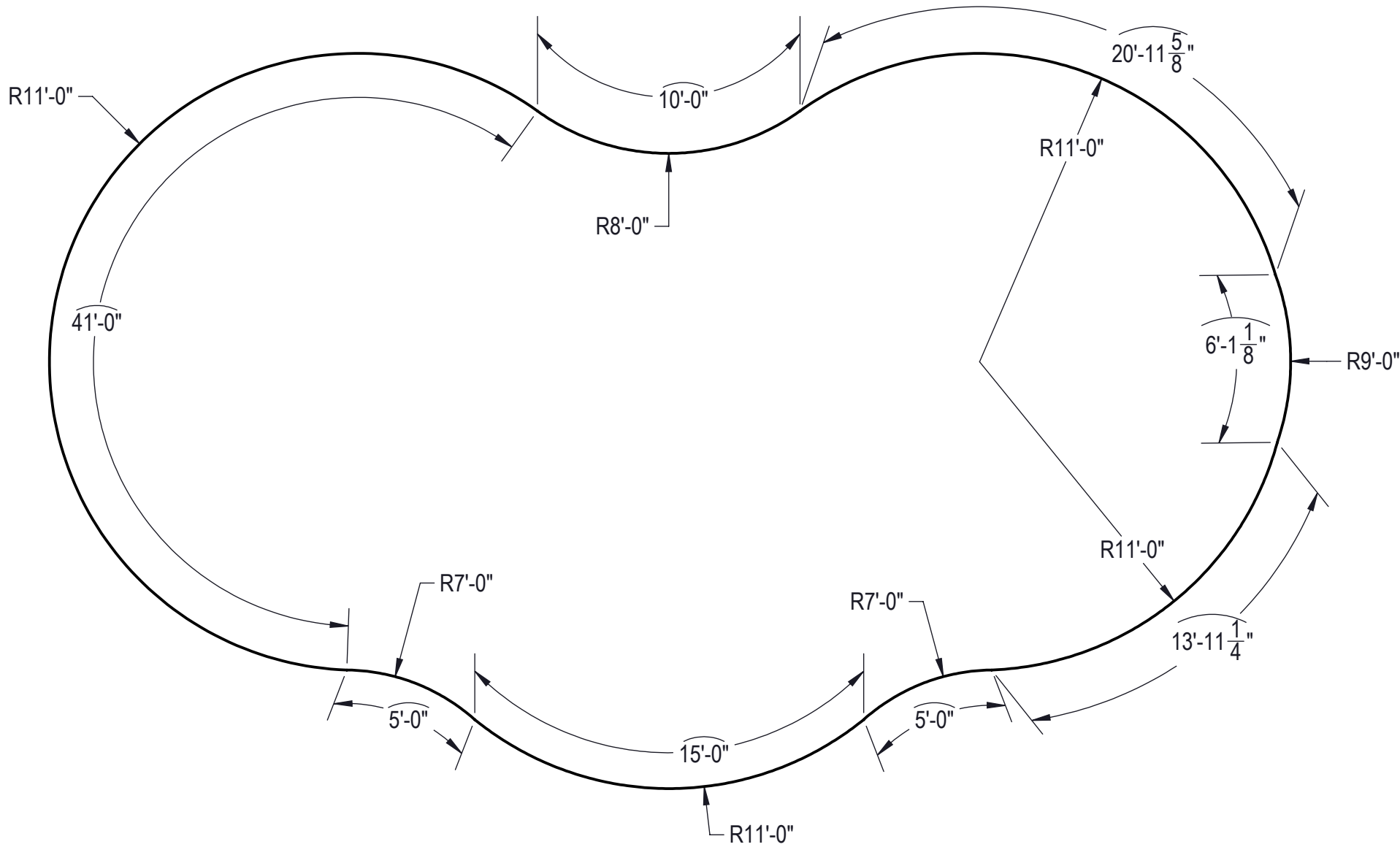
ENGINEERING DRAWING NUMBER: 00017226	WEIGHT:	UNLESS OTHERWISE SPECIFIED DIMENSIONS ARE IN INCHES TOLERANCES DECIMALS: X ± .1 XX ± .01 XXX ± .001 XXXX ± .0005 ANGULAR: X ± 0.5 THIRD ANGLE PROJECTION	DESIGNED BY:	CREATION DATE:	HYDRA POOLS		
	lbs		BUMPHREY	1/3/2012			
	VOLUME:			DETAILED BY:	DETAILED DATE:	TITLE: LAYOUT, 22' X 44', LAGOON, RIGHT, 8' DEEP, HS303N, LIGHT, 2-1084, 3-INLET, 600 SERIES	
	Inch ³			BUMPHREY	1/15/2018		
	COLOR:			LAST REVISED BY:	LAST REVISED DATE:		
NA		bumphrey	1/15/2018	PART NUMBER:	SCALE:	SIZE:	
HEAT TREAT:		MATERIAL:		00017226		1:128	A
NA						2 OF 5	
FINISH:							
NA							
TEXTURE:							
NA							



ENGINEERING DRAWING NUMBER: 00017226	WEIGHT: 370638.3 lbs	UNLESS OTHERWISE SPECIFIED DIMENSIONS ARE IN INCHES TOLERANCES DECIMALS: X ± .1 XX ± .01 XXX ± .001 XXXX ± .0005 ANGULAR: X ± 0.5 THIRD ANGLE PROJECTION 	DESIGNED BY: BUMPHREY	CREATION DATE: 7/19/2013	HYDRA POOLS		
	VOLUME: Inch ³		DETAILED BY: BUMPHREY	DETAILED DATE: 1/15/2018			
	COLOR:		LAST REVISED BY: bumphrey	LAST REVISED DATE: 1/15/2018			
	HEAT TREAT:		MATERIAL:		TITLE: LAYOUT, 22' X 44', LAGOON, RIGHT, 8' DEEP, HS303N, LIGHT, 2-1084, 3-INLET, 600 SERIES		
	FINISH:				PART NUMBER:	SCALE: 1:60	SIZE: A
	TEXTURE:				00017226	SHEET: 3 OF 5	



ENGINEERING DRAWING NUMBER: 00017226	WEIGHT: 370638.3 lbs	UNLESS OTHERWISE SPECIFIED DIMENSIONS ARE IN INCHES TOLERANCES DECIMALS: X ± .1 XX ± .01 XXX ± .001 XXXX ± .0005 ANGULAR: X ± 0.5 THIRD ANGLE PROJECTION 	DESIGNED BY: BUMPHREY	CREATION DATE: 7/19/2013	HYDRA POOLS TITLE: LAYOUT, 22' X 44', LAGOON, RIGHT, 8' DEEP, HS303N, LIGHT, 2-1084, 3-INLET, 600 SERIES		
	VOLUME: Inch³		DETAILED BY: BUMPHREY	DETAILED DATE: 1/15/2018			
	COLOR:		LAST REVISED BY: bumphrey	LAST REVISED DATE: 1/15/2018			
	HEAT TREAT:		MATERIAL:		PART NUMBER:	SCALE: 1:60	SIZE: A
	FINISH:				00017226	SHEET: 4 OF 5	
	TEXTURE:						



ENGINEERING DRAWING NUMBER: 00017226	WEIGHT:	UNLESS OTHERWISE SPECIFIED DIMENSIONS ARE IN INCHES TOLERANCES DECIMALS: X ± .1 XX ± .01 XXX ± .001 XXXX ± .0005 ANGULAR: X ± 0.5 THIRD ANGLE PROJECTION 	DESIGNED BY:	CREATION DATE:	HYDRA POOLS		
	lbs		BUMPHREY	1/3/2012			
	VOLUME:		BUMPHREY	1/15/2018			
	Inch ³		LAST REVISED BY:	LAST REVISED DATE:	TITLE:	LAYOUT, 22' X 44', LAGOON, RIGHT, 8' DEEP, HS303N, LIGHT, 2-1084, 3-INLET, 600 SERIES	
	COLOR:		bumphrey	1/15/2018	PART NUMBER:	00017226	
	HEAT TREAT:				SCALE:		1:60
	FINISH:				SHEET:		5 OF 5
TEXTURE:			SIZE:	A			