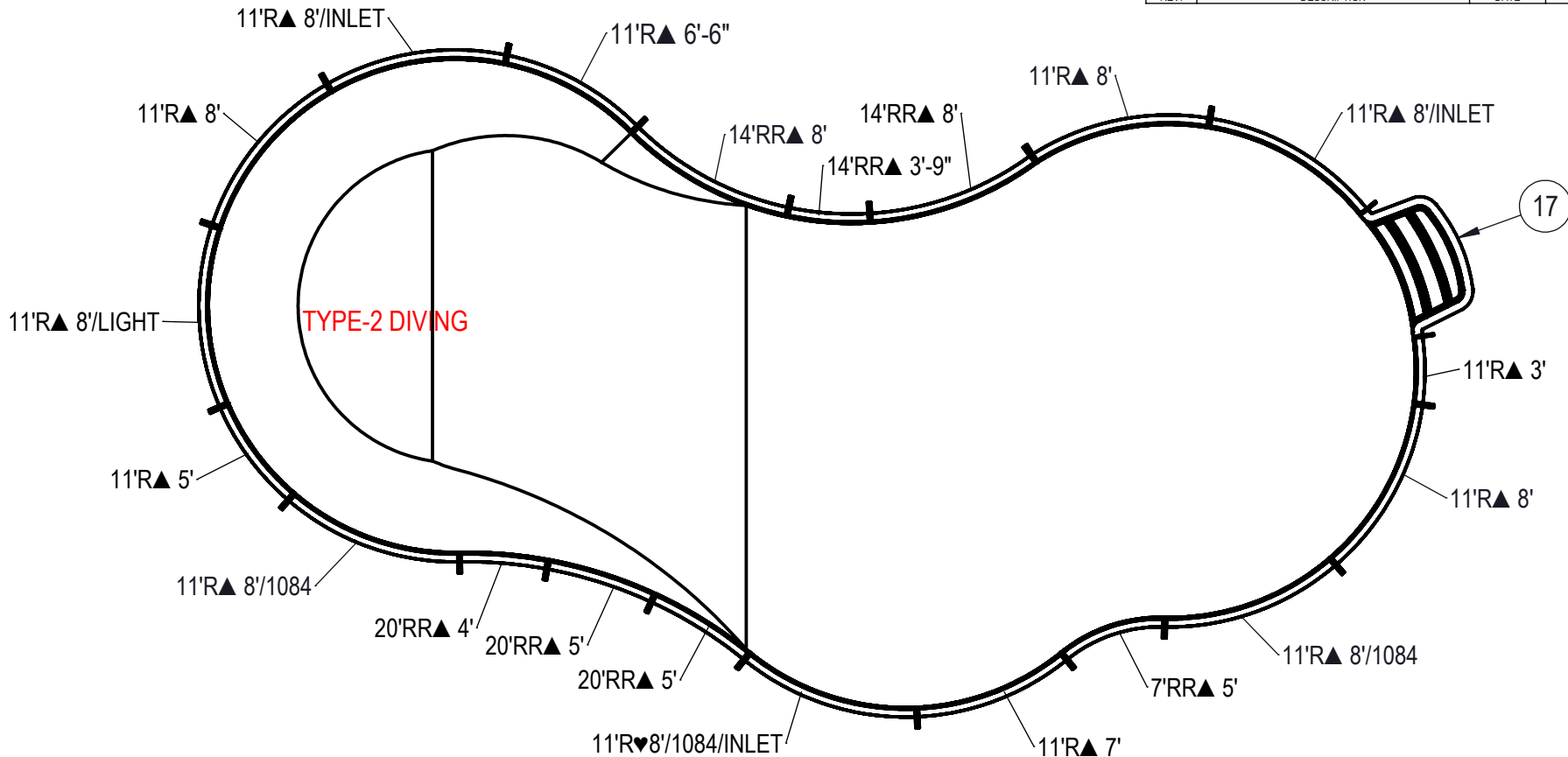


REVISION HISTORY				
REV.	DESCRIPTION	DATE	ECO	BY



TYPE-2 DIVING

NOTES:

- THESE ARE FINISHED DIMENSIONS READY FOR THE LINER.
- DIMENSIONS ARE FROM INSIDE POOL PANELS.
- ROPE AND FLOAT ASSEMBLY SHOULD BE INSTALLED IN ACCORDANCE WITH CURRENT ANSI/ASPS/ICC REGULATIONS
- HYDRA LINER TRACK FOR STEPS IS INSTALLED WITH THE BARB FACING THE RISER WALL ON THE STEP.

EXCAVATION NOTES:

- ROUGH EXCAVATION SHOULD BE 2" DEEPER IN EACH INSTANCE.
- SOIL TO HAVE MINIMUM BEARING CAPACITY OF 1500 PSF.
- LOCATE TOP OF POOL AT LEAST 6" ABOVE THE SURROUNDING LAND ELEVATION.
- SEE "OVER DIG DETAIL" FOR EXCAVATION AROUND POOL.
- FILL VOIDS UNDER BASE OF PANELS AND TAMP WELL.
- BACK FILL WITH NON-EXPANSIVE MATERIAL.
- FOLLOW ALL CURRENT ANSI / APSP / ICC GUIDELINES FOR RESIDENTIAL POOLS

IMPORTANT NOTES:

THIS DOCUMENT IS FOR ILLUSTRATIVE PURPOSES ONLY. THE DEALER OR CONTRACTOR WHO SELLS OR INSTALLS YOUR POOL IS AN INDEPENDENT CONTRACTOR AND IS NOT AN AGENT OF THE MANUFACTURER. THE CONSTRUCTION METHODS ILLUSTRATED HERE ARE SUGGESTIONS AND APPLY ONLY TO NORMAL GROUND CONDITIONS. THERE MAY BE ADDITIONAL PRECAUTIONS AND/OR METHODS OF CONSTRUCTION. PROPER INSTALLATION IS THE RESPONSIBILITY OF THE DEALER/BUILDER/CONTRACTOR.

ITEM	FILE NAME	DESCRIPTION	CUSTOMER DRAWING #	VENDOR PART #	QTY.
1	BOLT, PACK	BOLT, FLANGE, 3/8-16 X 1", PACK (50)	HPS1916	HPS1916	5
2	SBRACE	BRACE, FOLD OVER WITH TURNBUCKLE, STEEL, HPSFOB	HPSFOB	HPSFOB	21
3	PANEL, RADIUS	PANEL, 11' RADIUS, 3' LONG, 600 SERIES	HPSD11R3	00001801	1
4	PANEL, RADIUS	PANEL, 11' RADIUS, 5' LONG, 600 SERIES	HPSD11R5	000001149	1
5	PANEL, RADIUS	PANEL, 11' RADIUS, 6'-6" LONG, 600 SERIES	HPSCR7	00006649	1
6	PANEL, RADIUS	PANEL, 11' RADIUS, 7' LONG, 600 SERIES	HPSD11R7	00001807	1
7	PANEL, RADIUS	PANEL, 11' RADIUS, 8' LONG, 600 SERIES	HPSD11R8	00001182	3
8	PANEL, RADIUS	PANEL, 11' RADIUS, 8' LONG, 1084, 600 SERIES	HPS11R884	00000248	2
9	PANEL, RADIUS	PANEL, 11' RADIUS, 8' LONG, 1084, INLET, 600 SERIES	HPSD11R84I	00006012	1
10	PANEL, RADIUS	PANEL, 11' RADIUS, 8' LONG, INLET, 600 SERIES	HPSD11R8I	00000770	2
11	PANEL, RADIUS	PANEL, 11' RADIUS, 8' LONG, LIGHT, 600 SERIES	HPSD11R8L	00001196	1
12	PANEL, RR	PANEL, 14' REVERSE RADIUS, 3'-9" LONG, 600 SERIES	HPSCRR4	00007812	1
13	PANEL, RR	PANEL, 14' REVERSE RADIUS, 8' LONG, 600 SERIES	HPSD14RR8	00001243	2
14	PANEL, RR	PANEL, 20' REVERSE RADIUS, 4' LONG, 600 SERIES	HPSCRR5	00007813	1
15	PANEL, RR	PANEL, 20' REVERSE RADIUS, 5' LONG, 600 SERIES	HPSD20RR5	00003300	2
16	PANEL, RR	PANEL, 7' REVERSE RADIUS, 5' LONG, 600 SERIES	HPSD7RR5	00001804	1
17	HS303N	STEP, 9' RADIUS, 3 TREAD, CANTILEVER	HS303N	HS303N	1

UNLESS OTHERWISE SPECIFIED

DESIGNED BY: **BUMPHREY**

CREATION DATE: **7/19/2013**

DETAILED BY: **BUMPHREY**

DETAILED DATE: **1/15/2018**

LAST REVISED BY: **bumphrey**

LAST REVISED DATE: **1/15/2018**

MATERIAL:

WEIGHT: 408816.6 lbs

VOLUME: Inch³

COLOR:

HEAT TREAT:

FINISH:

TEXTURE:

DIMENSIONS ARE IN INCHES

TOLERANCES

DECIMALS: X ± .1
XX ± .01
XXX ± .001
XXXX ± .0005

ANGULAR: X ± 0.5

THIRD ANGLE PROJECTION

ENGINEERING DRAWING NUMBER: **00017231**

HYDRA POOLS

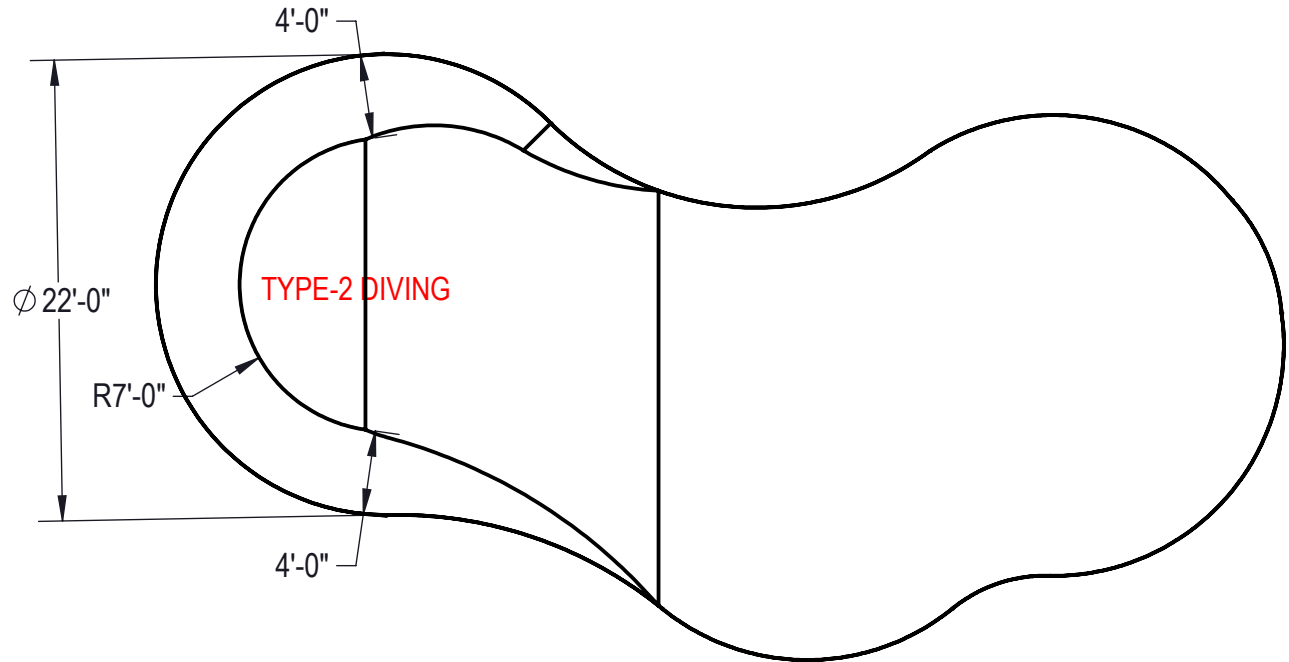
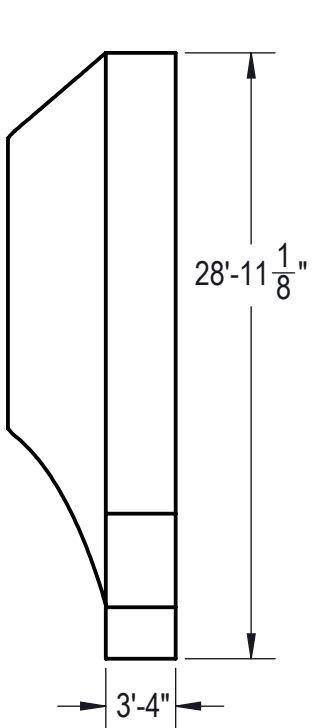
TITLE: **LAYOUT, 22' X 54', LAGOON, RIGHT, 8' DEEP, HS303N, LIGHT, 3-1084, 3-INLET, 600 SERIES**

PART NUMBER: **00017231**

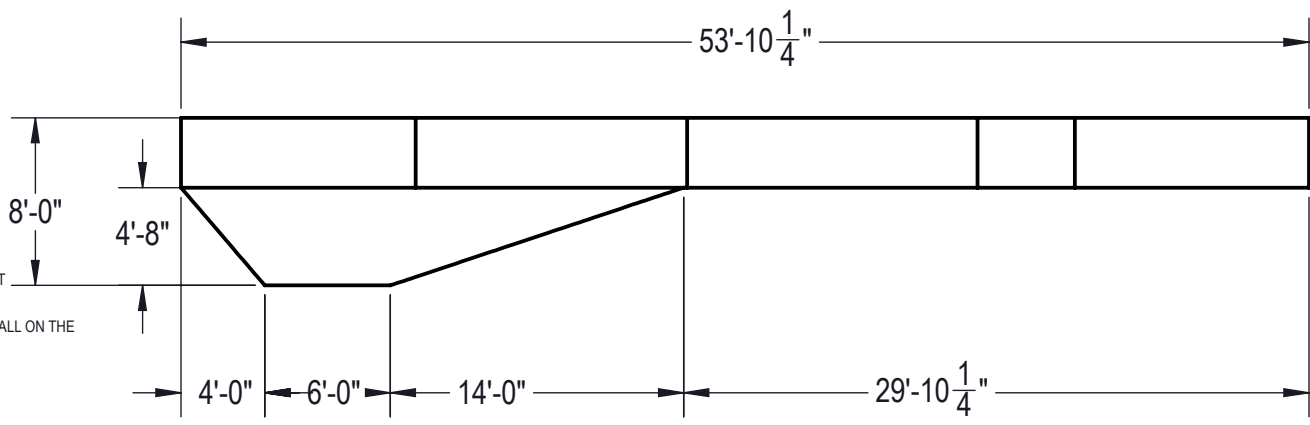
SCALE: 1:128

SHEET: 1 OF 5

SIZE: **A**



Area: 1058.82ft ²
Perimeter: 138.25ft
Volume = 34819 US gallons



NOTES:


1. THESE ARE FINISHED DIMENSIONS READY FOR THE LINER.
2. DIMENSIONS ARE FROM INSIDE POOL PANELS.
3. ROPE AND FLOAT ASSEMBLY SHOULD BE INSTALLED IN ACCORDANCE WITH CURRENT ANSI/ASPS/ICC REGULATIONS
4. HYDRA LINER TRACK FOR STEPS IS INSTALLED WITH THE BARB FACING THE RISER WALL ON THE STEP.

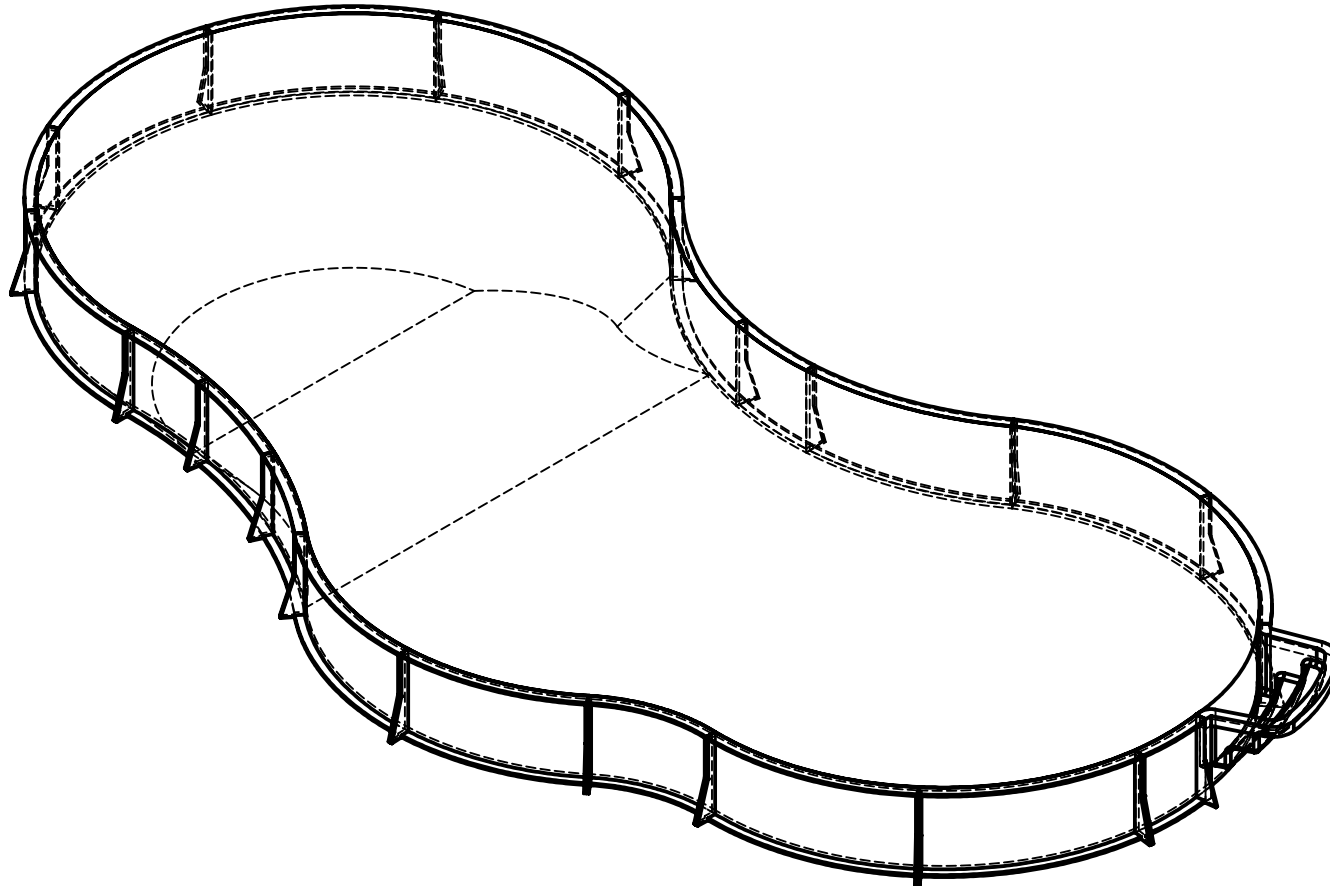
EXCAVATION NOTES:


5. ROUGH EXCAVATION SHOULD BE 2" DEEPER IN EACH INSTANCE.
6. SOIL TO HAVE MINIMUM BEARING CAPACITY OF 1500 PSF.
7. LOCATE TOP OF POOL AT LEAST 6" ABOVE THE SURROUNDING LAND ELEVATION.
8. SEE "OVER DIG DETAIL" FOR EXCAVATION AROUND POOL.
9. FILL VOIDS UNDER BASE OF PANELS AND TAMP WELL.
10. BACK FILL WITH NON-EXPANSIVE MATERIAL.
11. FOLLOW ALL CURRENT ANSI / ASPSP / ICC GUIDELINES FOR RESIDENTIAL POOLS

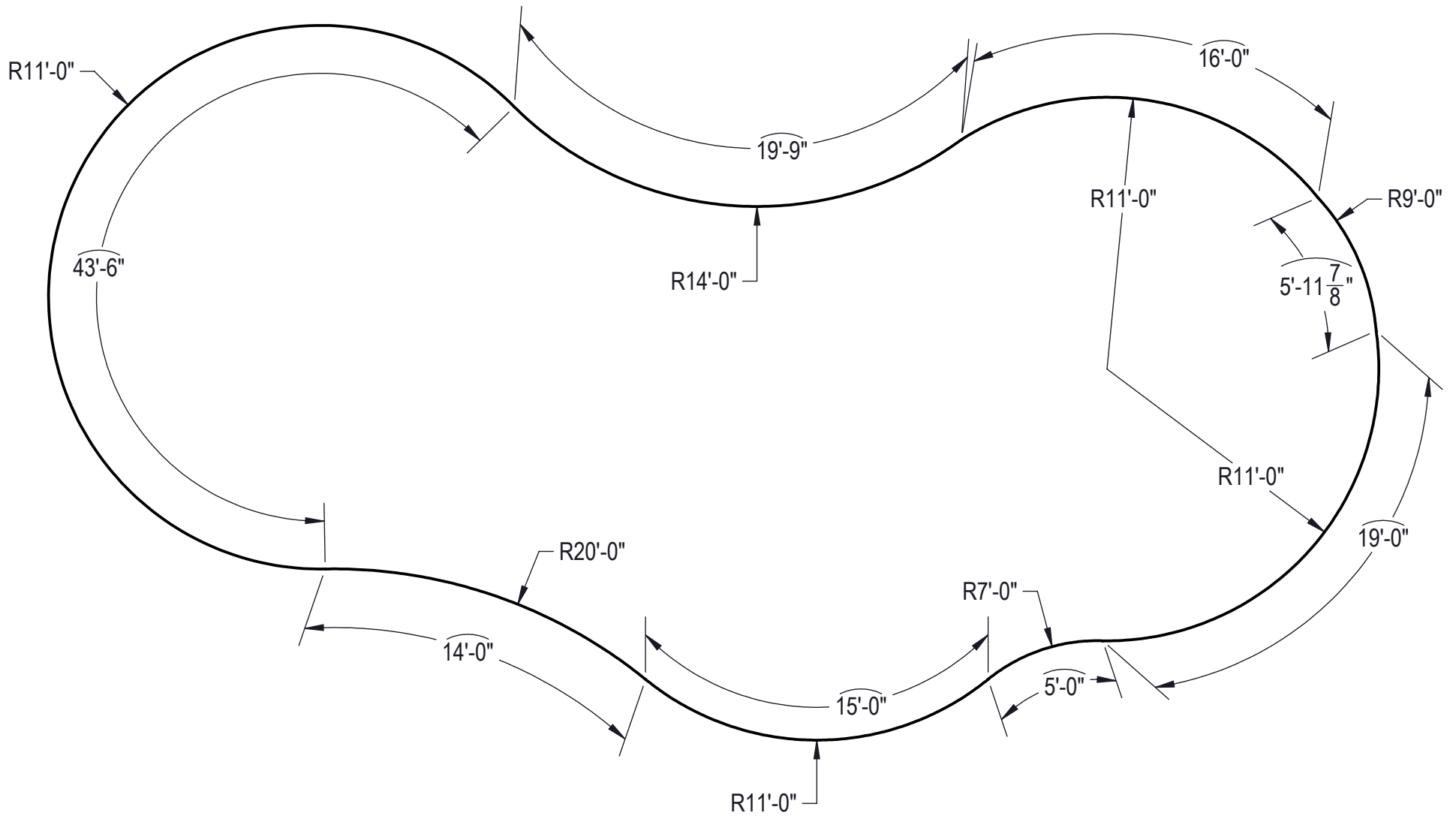
IMPORTANT NOTES:


THIS DOCUMENT IS FOR ILLUSTRATIVE PURPOSES ONLY. THE DEALER OR CONTRACTOR WHO SELLS OR INSTALLS YOUR POOL IS AN INDEPENDENT CONTRACTOR AND IS NOT AN AGENT OF THE MANUFACTURER. THE CONSTRUCTION METHODS ILLUSTRATED HERE ARE SUGGESTIONS AND APPLY ONLY TO NORMAL GROUND CONDITIONS. THERE MAY BE ADDITIONAL PRECAUTIONS AND/OR METHODS OF CONSTRUCTION. PROPER INSTALLATION IS THE RESPONSIBILITY OF THE DEALER/BUILDER/CONTRACTOR.

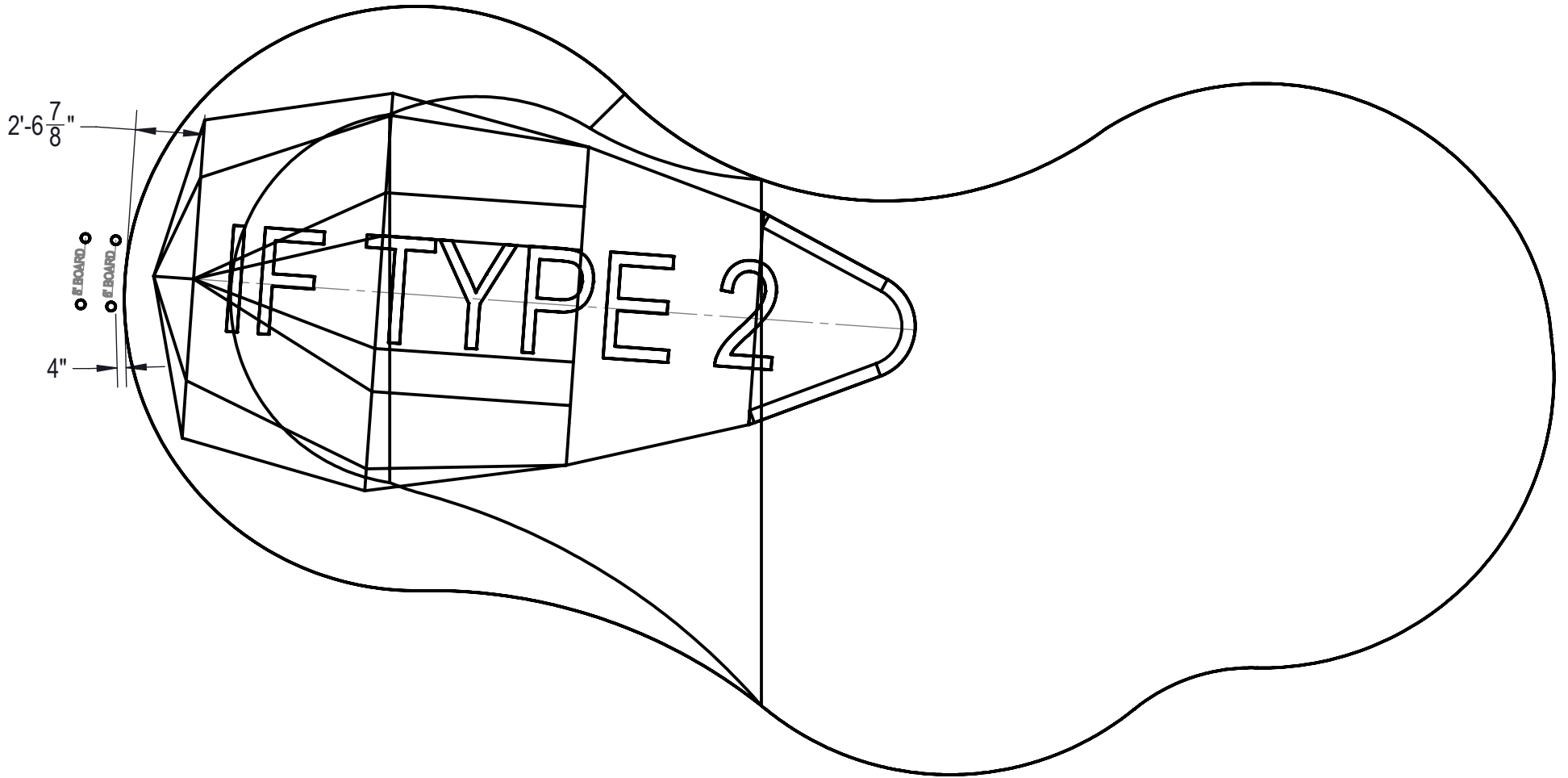
ENGINEERING DRAWING NUMBER: 00017231	WEIGHT: lbs	UNLESS OTHERWISE SPECIFIED DIMENSIONS ARE IN INCHES TOLERANCES DECIMALS: X ± .1 XX ± .01 XXX ± .001 XXXX ± .0005 ANGULAR: X ± 0.5 THIRD ANGLE PROJECTION 	DESIGNED BY: BUMPHREY	CREATION DATE: 1/3/2012	HYDRA POOLS TITLE: LAYOUT, 22' X 54', LAGOON, RIGHT, 8' DEEP, HS303N, LIGHT, 3-1084, 3-INLET, 600 SERIES PART NUMBER: <div style="font-size: large; font-weight: bold;">00017231'</div>
	VOLUME: Inch ³		DETAILED BY: BUMPHREY	DETAILED DATE: 1/15/2018	
	COLOR:		LAST REVISED BY: bumphrey	LAST REVISED DATE: 1/15/2018	
	HEAT TREAT:		MATERIAL:		
	FINISH:				
TEXTURE:			SCALE: 1:128	SIZE: A	
NA			SHEET: 2 OF 5		




ENGINEERING DRAWING NUMBER: 00017231	WEIGHT: 408816.6 lbs	UNLESS OTHERWISE SPECIFIED DIMENSIONS ARE IN INCHES TOLERANCES DECIMALS: X ± .1 XX ± .01 XXX ± .001 XXXX ± .0005 ANGULAR: X ± 0.5 THIRD ANGLE PROJECTION 	DESIGNED BY: BUMPHREY	CREATION DATE: 7/19/2013	HYDRA POOLS		
	VOLUME: Inch ³		DETAILED BY: BUMPHREY	DETAILED DATE: 1/15/2018			
	COLOR:		LAST REVISED BY: bumphrey	LAST REVISED DATE: 1/15/2018	TITLE: LAYOUT, 22' X 54', LAGOON, RIGHT, 8' DEEP, HS303N, LIGHT, 3-1084, 3-INLET, 600 SERIES		
	HEAT TREAT:		MATERIAL:				
	FINISH:						
	TEXTURE:						
			PART NUMBER:		00017231	SCALE: 1:60 SHEET: 3 OF 5	A



ENGINEERING DRAWING NUMBER: 00017231	WEIGHT:	UNLESS OTHERWISE SPECIFIED DIMENSIONS ARE IN INCHES TOLERANCES DECIMALS: X ± .1 XX ± .01 XXX ± .001 XXXX ± .0005 ANGULAR: X ± 0.5 THIRD ANGLE PROJECTION 	DESIGNED BY:	CREATION DATE:	HYDRA POOLS	
	lbs		BUMPHREY	1/3/2012		
	VOLUME:		DESIGNED BY: BUMPHREY LAST REVISED BY: bumphrey MATERIAL:	DETAILED DATE:	TITLE: LAYOUT, 22' X 54', LAGOON, RIGHT, 8' DEEP, HS303N, LIGHT, 3-1084, 3-INLET, 600 SERIES	
	Inch ³			1/15/2018		
	COLOR:			LAST REVISED DATE:		
	NA			1/15/2018	SCALE:	SIZE:
HEAT TREAT:				1:60	A	
FINISH:			SHEET:			
TEXTURE:			4 OF 5			



ENGINEERING DRAWING NUMBER: 00017231	WEIGHT: 408816.6 lbs	UNLESS OTHERWISE SPECIFIED DIMENSIONS ARE IN INCHES TOLERANCES DECIMALS: X ± .1 XX ± .01 XXX ± .001 XXXX ± .0005 ANGULAR: X ± 0.5 THIRD ANGLE PROJECTION 	DESIGNED BY: BUMPHREY	CREATION DATE: 7/19/2013	HYDRA POOLS	
	VOLUME: Inch ³		DETAILED BY: BUMPHREY	DETAILED DATE: 1/15/2018		
	COLOR:		LAST REVISED BY: bumpfrey	LAST REVISED DATE: 1/15/2018	TITLE: LAYOUT, 22' X 54', LAGOON, RIGHT, 8' DEEP, HS303N, LIGHT, 3-1084, 3-INLET, 600 SERIES	
	HEAT TREAT:		MATERIAL:			
	FINISH:				PART NUMBER:	
TEXTURE:			00017231		SHEET: 5 OF 5	