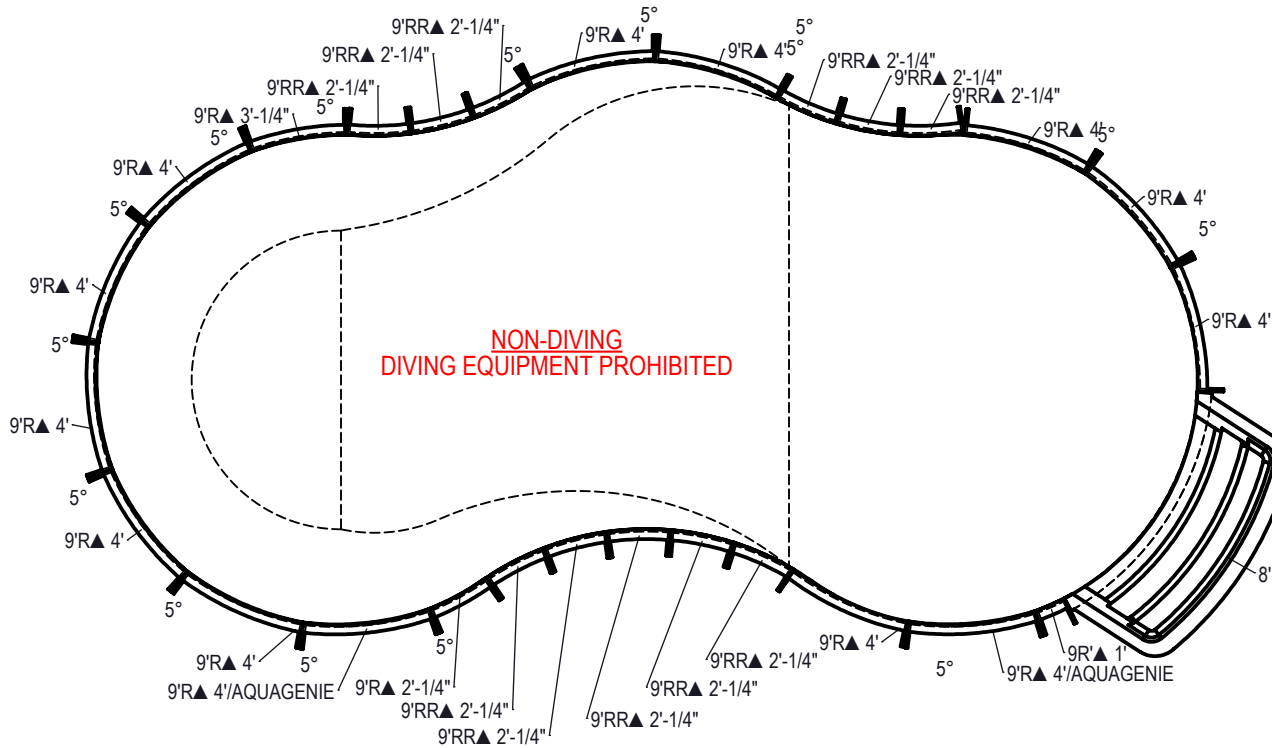


REVISION HISTORY			
REV.	DESCRIPTION	DATE	BY
A	RELEASED FOR QUOTE	8/25/2015	LNELSON



NOTES:

1. THESE ARE FINISHED DIMENSIONS READY FOR THE LINER.
2. DIMENSIONS ARE FROM INSIDE POOL PANELS.
3. ROPE AND FLOAT ASSEMBLY SHOULD BE INSTALLED IN ACCORDANCE WITH ANSI/ASPS/ICC-5 2011 17.2.
4. HYDRA LINER TRACK FOR STEPS IS INSTALLED WITH THE BARB FACING THE RISER WALL ON THE STEP.

EXCAVATION NOTES:

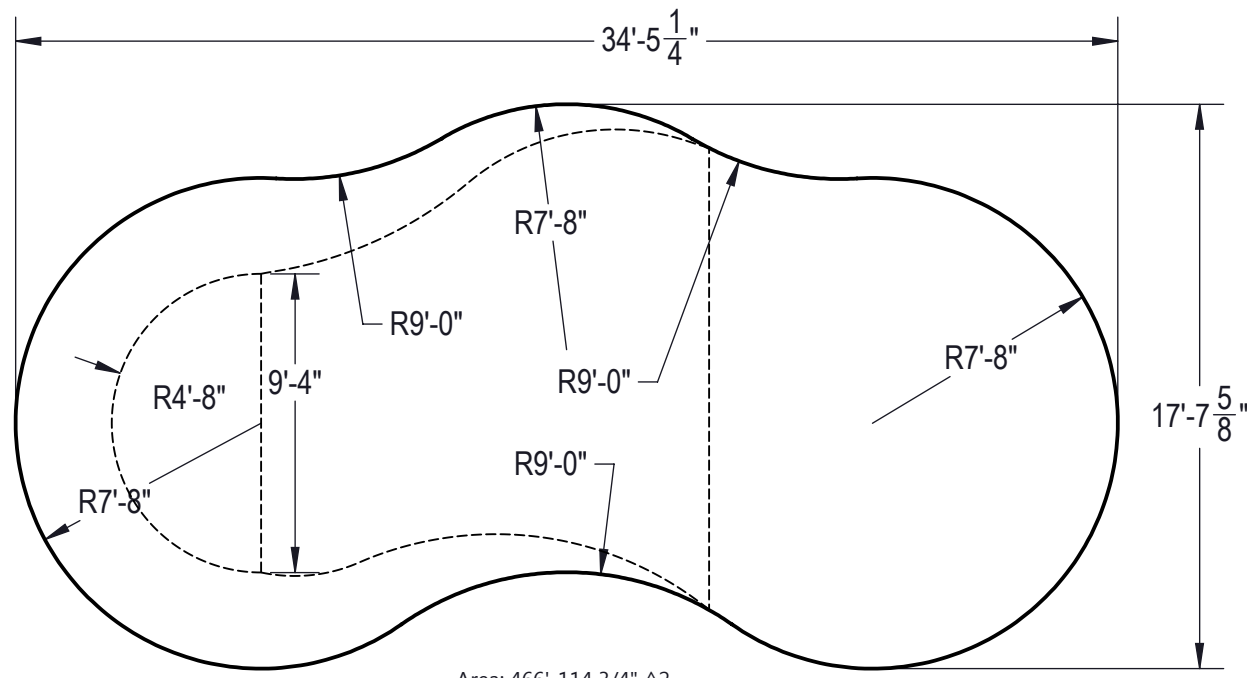
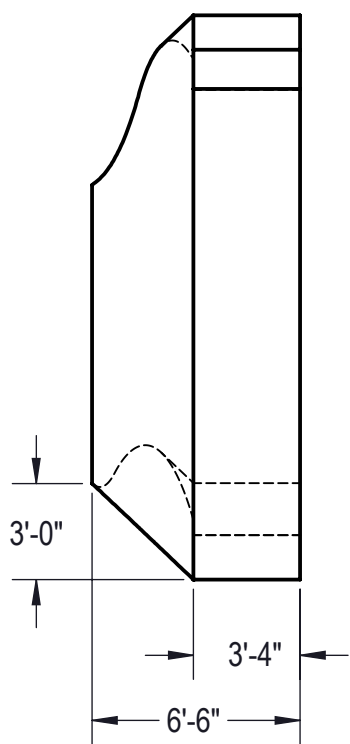
5. ROUGH EXCAVATION SHOULD BE 2" DEEPER IN EACH INSTANCE.
6. SOIL TO HAVE MINIMUM BEARING CAPACITY OF 1500 PSF.
7. LOCATE TOP OF POOL AT LEAST 6" ABOVE THE SURROUNDING LAND ELEVATION.
8. SEE "OVER DIG DETAIL" FOR EXCAVATION AROUND POOL.
9. FILL VOIDS UNDER BASE OF PANELS AND TAMP WELL.
10. BACK FILL WITH NON-EXPANSIVE MATERIAL.
11. ANSI / APSP / ICC-5 FOR RESIDENTIAL POOLS, 2003-2007 BOCA CODE SECTION 421.

IMPORTANT NOTES:

THIS DOCUMENT IS FOR ILLUSTRATIVE PURPOSES ONLY. THE DEALER OR CONTRACTOR WHO SELLS OR INSTALLS YOUR POOL IS AN INDEPENDENT CONTRACTOR AND IS NOT AN AGENT OF THE MANUFACTURER. THE CONSTRUCTION METHODS ILLUSTRATED HERE ARE SUGGESTIONS AND APPLY ONLY TO NORMAL GROUND CONDITIONS. THERE MAY BE ADDITIONAL PRECAUTIONS AND/OR METHODS OF CONSTRUCTION. PROPER INSTALLATION IS THE RESPONSIBILITY OF THE DEALER/BUILDER/CONTRACTOR.

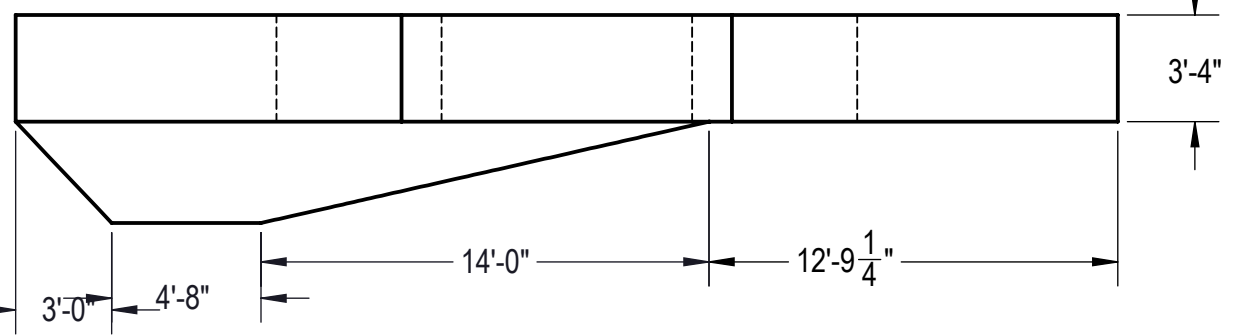
ITEM	FILE NAME	DESCRIPTION	CUSTOMER DRAWING #	VENDOR PART #	QTY.	VENDOR NAME	MATERIAL
1	BRACE	BRACE, 5 TAB, PINNACLE - 400 SERIES	HP499	HP499	29	HYDRA POOLS	PS
2	INSERT, 5° WEDGE	INSERT, 5° WEDGE	HP226	HP226	15	HYDRA POOLS, IA	PP Homopolymer
3	PANEL, 9' RADIUS WITH AQUAGENIE	PANEL, 9' RADIUS WITH AQUAGENIE - 400 SERIES	HP459A	HP459A	2	HYDRA POOLS	PS
4	PANEL, 9' RADIUS, 1' LONG	PANEL, 9' RADIUS, 1' LONG - 400 SERIES	HP415D	HP415D	1	HYDRA POOLS	PS
5	PANEL, 9' RADIUS, 2' LONG	PANEL, 9' RADIUS, 2' LONG, INSERT OVAL - 400 SERIES	HP410	HP410	1	HYDRA POOLS	PS
6	PANEL, 9' RADIUS, 3' LONG	PANEL, 9' RADIUS, 3' LONG, ROMAN - 400 SERIES	HP425D	HP425D	1	HYDRA POOLS	PS
7	PANEL, 9' RADIUS, 4' LONG	PANEL, 9' RADIUS, 4' LONG - 400 SERIES	HP459	HP459	11	HYDRA POOLS	PS
8	PANEL, 9' REVERSE RADIUS	PANEL, 9' REVERSE RADIUS - 400 SERIES	HP419N	HP419N	11	HYDRA POOLS	PS
9	HS106N	STEP, 8' RADIUS, 3 TREAD	HS106N	HS106N	1	HYDRA POOLS	ABS

ENGINEERING DRAWING NUMBER: 00009948	WEIGHT: 129205.6 lbs	UNLESS OTHERWISE SPECIFIED DIMENSIONS ARE IN INCHES TOLERANCES DECIMALS: X ± .1 XX ± .01 XXX ± .001 XXXX ± .0005 ANGULAR: X ± 0.5 THIRD ANGLE PROJECTION	DESIGNED BY: JBOSSERDET	CREATION DATE: 4/10/2015	HYDRA POOLS
	VOLUME: Inch ³		DETAILED BY: LNELSON	DETAILED DATE: 8/25/2015	
	COLOR:		LAST REVISED BY: Inelson	LAST REVISED DATE: 8/25/2015	
	HEAT TREAT:		MATERIAL:	TITLE: LAYOUT, 18' X 34', LAGOON, LEFT, 7'-8" RADIUS, HS106N, AQUAGENIE, 400 SERIES	
FINISH:					PART NUMBER: 00009948
TEXTURE:					SCALE: 1:72 SHEET: 1 OF 3
					SIZE: A



Area: 466'-114 3/4" ^2
 Perimeter: 88'-5 5/8"

**NON-DIVING
 DIVING EQUIPMENT PROHIBITED**

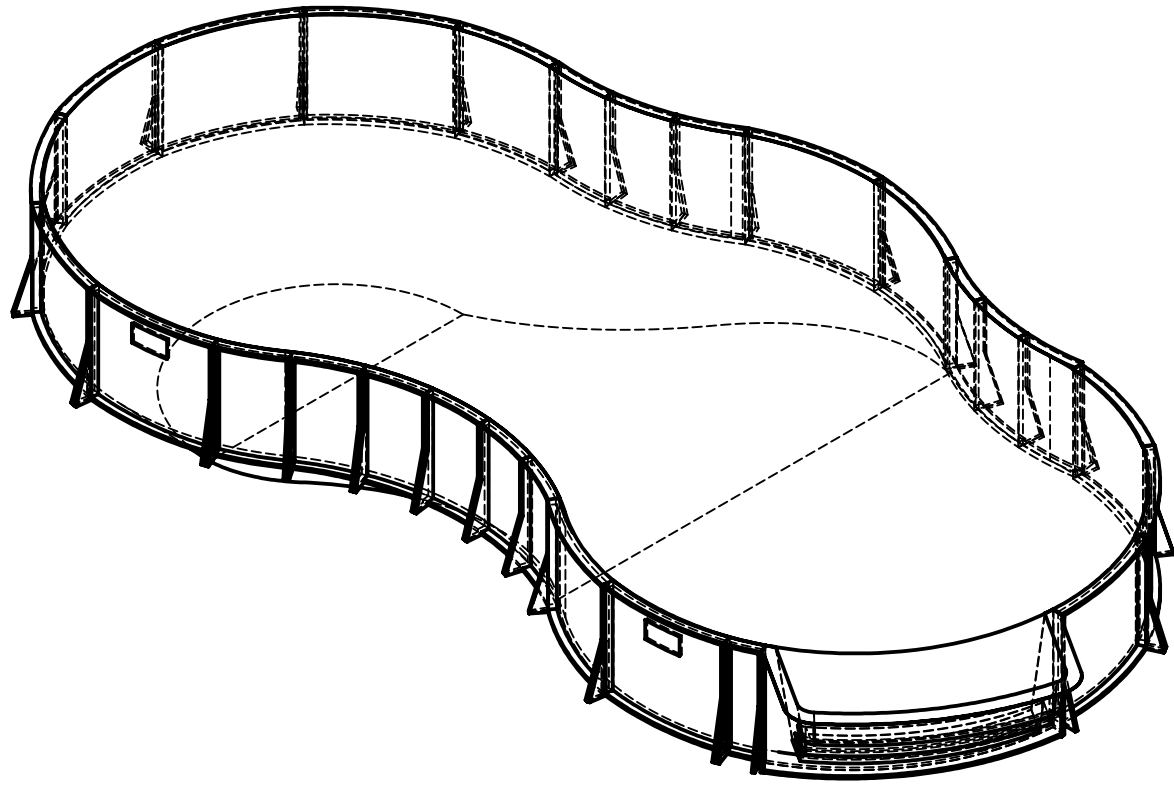



- NOTES:**
1. THESE ARE FINISHED DIMENSIONS READY FOR THE LINER.
 2. DIMENSIONS ARE FROM INSIDE POOL PANELS.
 3. ROPE AND FLOAT ASSEMBLY SHOULD BE INSTALLED IN ACCORDANCE WITH ANSI/ASPS/ICC-5 2011 17.2.
 4. HYDRA LINER TRACK FOR STEPS IS INSTALLED WITH THE BARB FACING THE RISER WALL ON THE STEP.

- EXCAVATION NOTES:**
5. ROUGH EXCAVATION SHOULD BE 2" DEEPER IN EACH INSTANCE.
 6. SOIL TO HAVE MINIMUM BEARING CAPACITY OF 1500 PSF.
 7. LOCATE TOP OF POOL AT LEAST 6" ABOVE THE SURROUNDING LAND ELEVATION.
 8. SEE "OVER DIG DETAIL" FOR EXCAVATION AROUND POOL.
 9. FILL VOIDS UNDER BASE OF PANELS AND TAMP WELL.
 10. BACK FILL WITH NON-EXPANSIVE MATERIAL.
 11. ANSI / APSP / ICC-5 FOR RESIDENTIAL POOLS, 2003-2007 BOCA CODE SECTION 421.

IMPORTANT NOTES:
 THIS DOCUMENT IS FOR ILLUSTRATIVE PURPOSES ONLY. THE DEALER OR CONTRACTOR WHO SELLS OR INSTALLS YOUR POOL IS AN INDEPENDENT CONTRACTOR AND IS NOT AN AGENT OF THE MANUFACTURER. THE CONSTRUCTION METHODS ILLUSTRATED HERE ARE SUGGESTIONS AND APPLY ONLY TO NORMAL GROUND CONDITIONS. THERE MAY BE ADDITIONAL PRECAUTIONS AND/OR METHODS OF CONSTRUCTION. PROPER INSTALLATION IS THE RESPONSIBILITY OF THE DEALER/BUILDER/CONTRACTOR.

ENGINEERING DRAWING NUMBER: 00009948	WEIGHT: 126742.247 lbs	UNLESS OTHERWISE SPECIFIED DIMENSIONS ARE IN INCHES TOLERANCES DECIMALS: X ± .1 XX ± .01 XXX ± .001 XXXX ± .0005 ANGULAR: X ± 0.5 THIRD ANGLE PROJECTION 	DESIGNED BY: JBOSSEDET	CREATION DATE: 4/10/2015	HYDRA POOLS
	VOLUME: 3508214.303 Inch ³		DETAILED BY: LNELSON	DETAILED DATE: 8/25/2015	
	COLOR: NA		LAST REVISED BY: Inelson	LAST REVISED DATE: 8/25/2015	TITLE: LAYOUT, 18' X 34', LAGOON, LEFT, 7'-8" RADIUS, HS106N, AQUAGENIE, 400 SERIES
	HEAT TREAT: NA		MATERIAL: Water	PART NUMBER: 00009948	
FINISH: NA					
TEXTURE: NA					



ENGINEERING DRAWING NUMBER: 00009948	WEIGHT: 129205.6 lbs	UNLESS OTHERWISE SPECIFIED DIMENSIONS ARE IN INCHES TOLERANCES DECIMALS: X ± .1 XX ± .01 XXX ± .001 XXXX ± .0005 ANGULAR: X ± 0.5 THIRD ANGLE PROJECTION 	DESIGNED BY: JBOSSEDET	CREATION DATE: 4/10/2015	HYDRA POOLS	
	VOLUME: Inch³		DETAILED BY: LNELSON	DETAILED DATE: 8/25/2015		
	COLOR:		LAST REVISED BY: Inelson	LAST REVISED DATE: 8/25/2015		
	HEAT TREAT:		MATERIAL:		TITLE: LAYOUT, 18' X 34', LAGOON, LEFT, 7'-8" RADIUS, HS106N, AQUAGENIE, 400 SERIES	
	FINISH:				PART NUMBER: 00009948	
	TEXTURE:				SCALE: 1:60	SIZE: A
				SHEET: 3 OF 3		