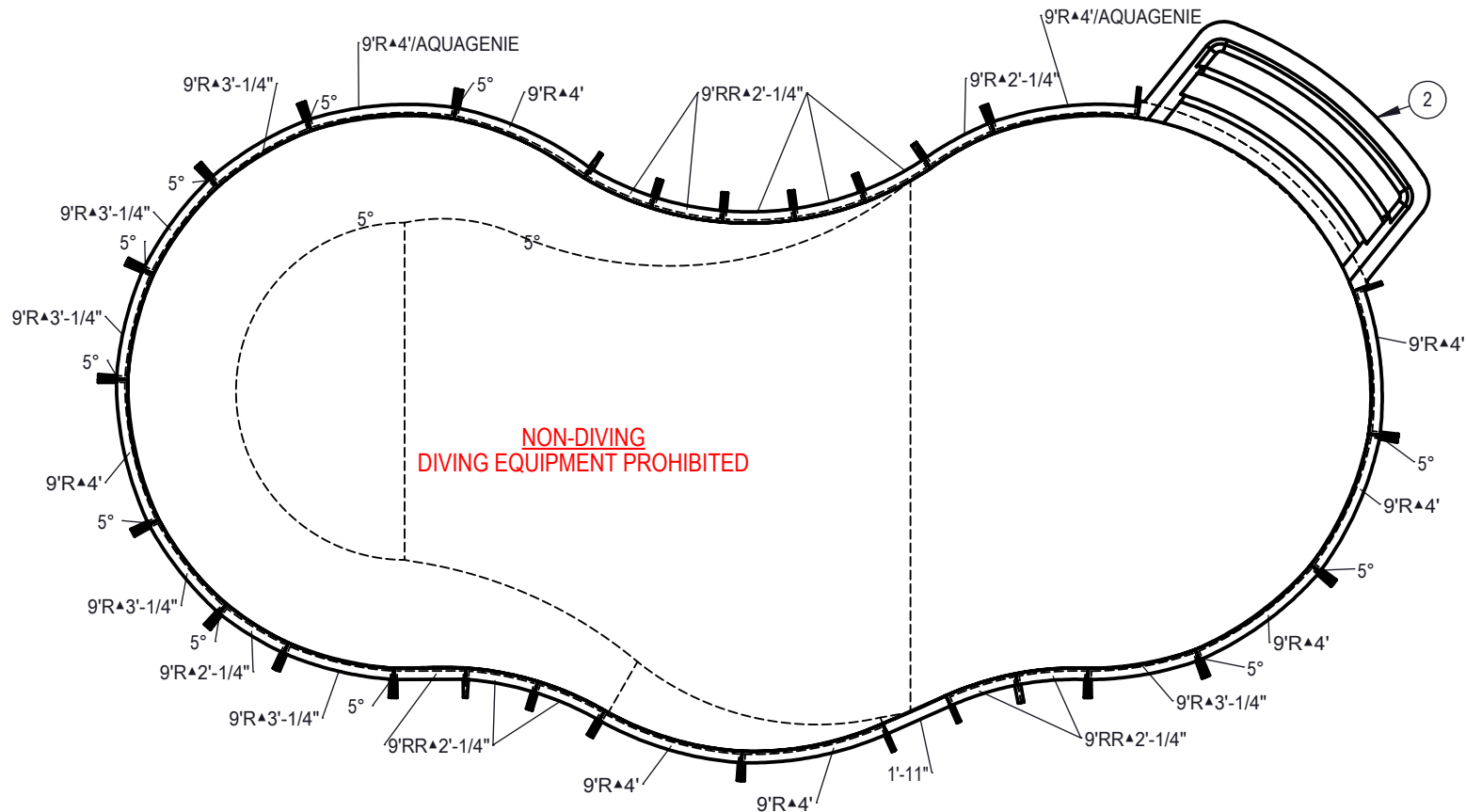


REVISION HISTORY			
REV.	DESCRIPTION	DATE	BY
A	RELEASED FOR QUOTE	08/02/18	CWHEELER



**NON-DIVING
DIVING EQUIPMENT PROHIBITED**

NOTES:

- THESE ARE FINISHED DIMENSIONS READY FOR THE LINER.
- DIMENSIONS ARE FROM INSIDE POOL PANELS.
- ROPE AND FLOAT ASSEMBLY SHOULD BE INSTALLED IN ACCORDANCE WITH CURRENT ANSI/ASPS/ICC REGULATIONS
- HYDRA LINER TRACK FOR STEPS IS INSTALLED WITH THE BARB FACING THE RISER WALL ON THE STEP.

EXCAVATION NOTES:

- ROUGH EXCAVATION SHOULD BE 2" DEEPER IN EACH INSTANCE.
- SOIL TO HAVE MINIMUM BEARING CAPACITY OF 1500 PSF.
- LOCATE TOP OF POOL AT LEAST 6" ABOVE THE SURROUNDING LAND ELEVATION.
- SEE "OVER DIG DETAIL" FOR EXCAVATION AROUND POOL.
- FILL VOIDS UNDER BASE OF PANELS AND TAMP WELL.
- BACK FILL WITH NON-EXPANSIVE MATERIAL.
- FOLLOW ALL CURRENT ANSI / APSP / ICC GUIDELINES FOR RESIDENTIAL POOLS

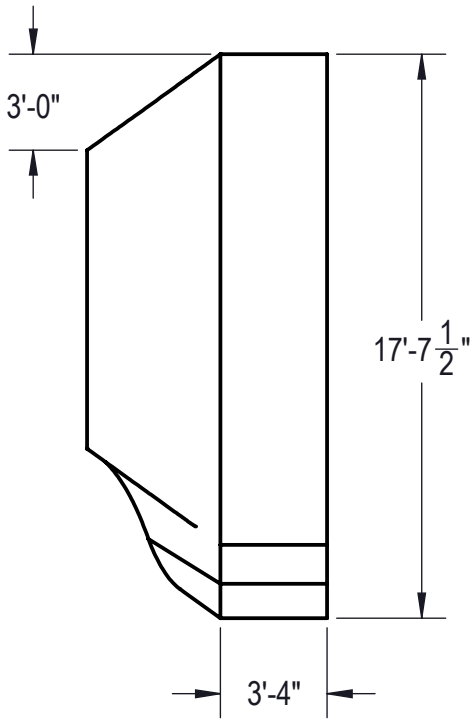
IMPORTANT NOTES:

THIS DOCUMENT IS FOR ILLUSTRATIVE PURPOSES ONLY. THE DEALER OR CONTRACTOR WHO SELLS OR INSTALLS YOUR POOL IS AN INDEPENDENT CONTRACTOR AND IS NOT AN AGENT OF THE MANUFACTURER. THE CONSTRUCTION METHODS ILLUSTRATED HERE ARE SUGGESTIONS AND APPLY ONLY TO NORMAL GROUND CONDITIONS. THERE MAY BE ADDITIONAL PRECAUTIONS AND/OR METHODS OF CONSTRUCTION. PROPER INSTALLATION IS THE RESPONSIBILITY OF THE DEALER/BUILDER/CONTRACTOR.

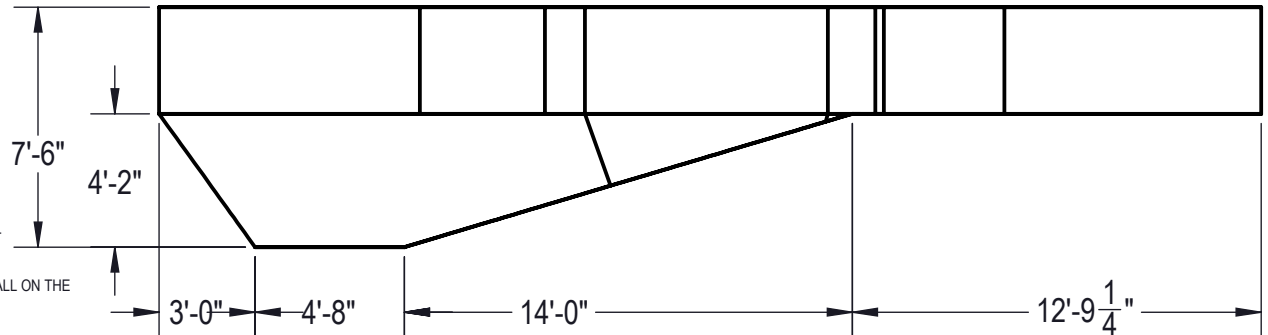
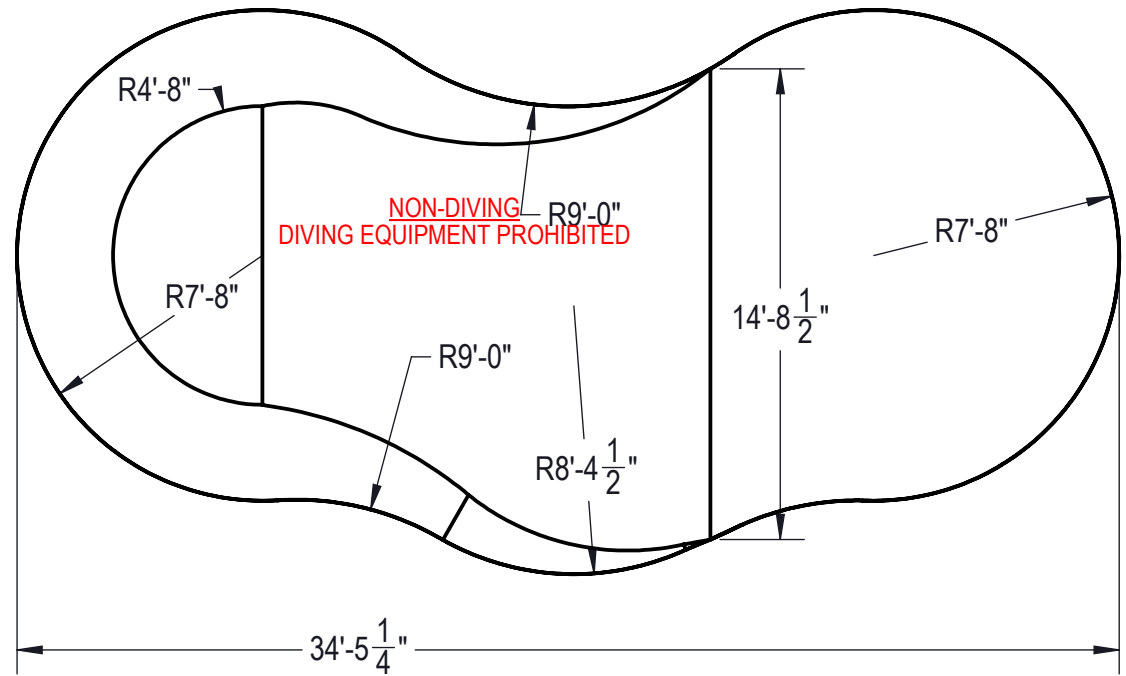
ITEM	FILE NAME	DESCRIPTION	CUSTOMER DRAWING #	VENDOR PART #	QTY.
1	BRACE	BRACE, 5 TAB, PINNACLE - 400 SERIES	HP499	HP499	29
2	HS106N	STEP, 8' RADIUS, 3 TREAD	HS106N	HS106N	1
3	INSERT, 5° WEDGE	INSERT, 5° WEDGE	HP226	HP226	11
4	PANEL, 1'-11 IN LONG	PANEL, 1'-11" LONG - 200 SERIES	HP282	HP282	1
5	PANEL, 2' LONG	PANEL, 2' LONG - 200 SERIES	HP202	HP202	1
6	PANEL, 9' RADIUS WITH AQUA GENIE	PANEL, 9' RADIUS WITH AQUAGENIE - 200 SERIES	HP259A	HP259A	2
7	PANEL, 9' RADIUS, 2' LONG	PANEL, 9' RADIUS, 2' LONG, INSERT OVAL - 200 SERIES	HP210	HP210	2
8	PANEL, 9' RADIUS, 3' LONG	PANEL, 9' RADIUS, 3' LONG, ROMAN - 200 SERIES	HP225	HP225	6
9	PANEL, 9' RADIUS, 4' LONG	PANEL, 9' RADIUS, 4' LONG - 200 SERIES	HP259	HP259	7
10	PANEL, 9' REVERSE RADIUS	PANEL, 9' REVERSE RADIUS - 200 SERIES	HP219N	HP219N	9

ENGINEERING DRAWING NUMBER: 00020459	WEIGHT: 138751.1 lbs	UNLESS OTHERWISE SPECIFIED DIMENSIONS ARE IN INCHES TOLERANCES DECIMALS: X ± .1 XX ± .01 XXX ± .001 XXXX ± .0005 ANGULAR: X ± 0.5 THIRD ANGLE PROJECTION
	VOLUME: Inch³	
	COLOR:	
	HEAT TREAT:	
	FINISH:	
	TEXTURE:	

DESIGNED BY: CWHEELER	CREATION DATE: 04/10/15	HYDRA POOLS		
DETAILED BY: CWHEELER	DETAILED DATE: 08/02/18			
LAST REVISED BY: cwheeler	LAST REVISED DATE: 08/02/18	TITLE: LAYOUT, 18' X 34', LAGOON, RIGHT, 7'-6" DEEP, HS106N, 2-AQUAGENIE, 200 SERIES		
MATERIAL:				
SIZE: A	SHEET: 1 OF 3	SCALE: 1:72	PART NUMBER: 00020459	REV A



Area: 466'-114 3/4" ^2
Perimeter: 88'-5 5/8"



NOTES:

1. THESE ARE FINISHED DIMENSIONS READY FOR THE LINER.
2. DIMENSIONS ARE FROM INSIDE POOL PANELS.
3. ROPE AND FLOAT ASSEMBLY SHOULD BE INSTALLED IN ACCORDANCE WITH CURRENT ANSI/ASPS/ICC REGULATIONS
4. HYDRA LINER TRACK FOR STEPS IS INSTALLED WITH THE BARB FACING THE RISER WALL ON THE STEP.

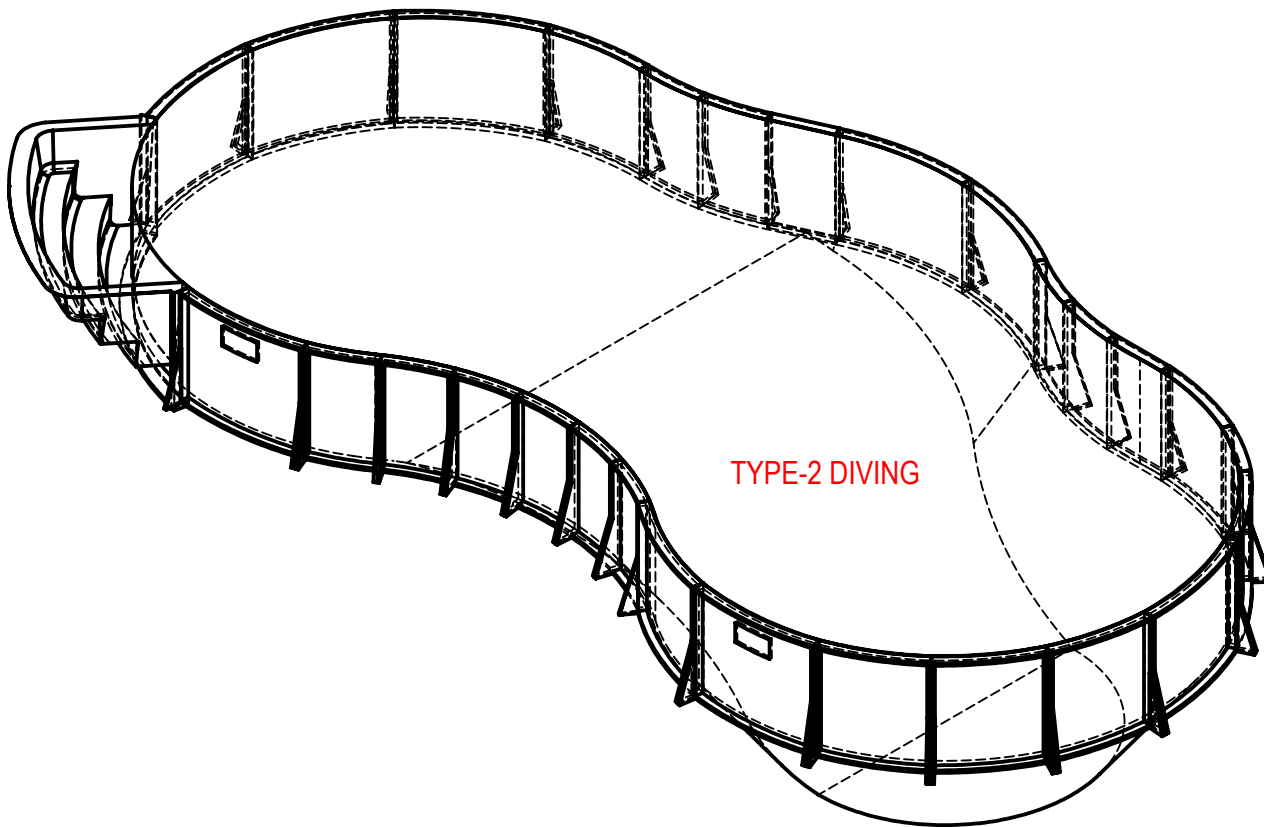
EXCAVATION NOTES:

5. ROUGH EXCAVATION SHOULD BE 2" DEEPER IN EACH INSTANCE.
6. SOIL TO HAVE MINIMUM BEARING CAPACITY OF 1500 PSF.
7. LOCATE TOP OF POOL AT LEAST 6" ABOVE THE SURROUNDING LAND ELEVATION.
8. SEE "OVER DIG DETAIL" FOR EXCAVATION AROUND POOL.
9. FILL VOIDS UNDER BASE OF PANELS AND TAMP WELL.
10. BACK FILL WITH NON-EXPANSIVE MATERIAL.
11. FOLLOW ALL CURRENT ANSI / APSP / ICC GUIDELINES FOR RESIDENTIAL POOLS


IMPORTANT NOTES:

THIS DOCUMENT IS FOR ILLUSTRATIVE PURPOSES ONLY. THE DEALER OR CONTRACTOR WHO SELLS OR INSTALLS YOUR POOL IS AN INDEPENDENT CONTRACTOR AND IS NOT AN AGENT OF THE MANUFACTURER. THE CONSTRUCTION METHODS ILLUSTRATED HERE ARE SUGGESTIONS AND APPLY ONLY TO NORMAL GROUND CONDITIONS. THERE MAY BE ADDITIONAL PRECAUTIONS AND/OR METHODS OF CONSTRUCTION. PROPER INSTALLATION IS THE RESPONSIBILITY OF THE DEALER/BUILDER/CONTRACTOR.

ENGINEERING DRAWING NUMBER: 00020459	WEIGHT: 136309.251 lbs	UNLESS OTHERWISE SPECIFIED DIMENSIONS ARE IN INCHES TOLERANCES DECIMALS: X ± .1 XX ± .01 XXX ± .001 XXXX ± .0005 ANGULAR: X ± 0.5 THIRD ANGLE PROJECTION	DESIGNED BY: CWHEELER	CREATION DATE: 04/10/15	HYDRA POOLS	
	VOLUME: 3773028.156 Inch ³		DETAILED BY: CWHEELER	DETAILED DATE: 08/02/18		
	COLOR: NA		LAST REVISED BY: cwheeler	LAST REVISED DATE: 08/02/18	TITLE: LAYOUT, 18' X 34', LAGOON, RIGHT, 7'-6" DEEP, HS106N, 2-AQUAGENIE, 200 SERIES	
	HEAT TREAT: NA		MATERIAL: Water			
FINISH: NA	SIZE: A	SHEET: 2 OF 3	SCALE: 1:72	PART NUMBER: 00020459	REV A	
TEXTURE: NA						



TYPE-2 DIVING

ENGINEERING DRAWING NUMBER: 00020459	WEIGHT: 138751.1 lbs	UNLESS OTHERWISE SPECIFIED DIMENSIONS ARE IN INCHES TOLERANCES DECIMALS: X ± .1 XX ± .01 XXX ± .001 XXXX ± .0005 ANGULAR: X ± 0.5 THIRD ANGLE PROJECTION 	DESIGNED BY: CWHEELER	CREATION DATE: 04/10/15	HYDRA POOLS		
	VOLUME: Inch ³		DETAILED BY: CWHEELER	DETAILED DATE: 08/02/18			
	COLOR:		LAST REVISED BY: cwheeler	LAST REVISED DATE: 08/02/18	TITLE: LAYOUT, 18' X 34', LAGOON, RIGHT, 7'-6" DEEP, HS106N, 2-AQUAGENIE, 200 SERIES		
	HEAT TREAT:		MATERIAL:				
	FINISH:		SIZE: A	SHEET: 3 OF 3			
TEXTURE:							