

# heliX2®

A new generation of S.R.Smith's popular pool slide is here—introducing the heliX2®!

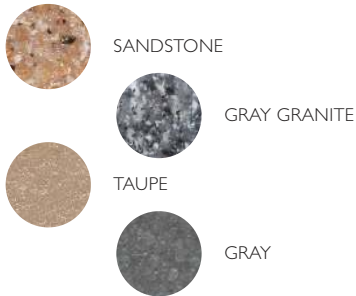
- Deeper 360° corkscrew flume for fast and safe sliding
- Patented water feature delivery system for a dramatic fountain feature
- 7'4" in height (6'5 1/2" to seat)
- Accommodates sliders up to 250 lbs/113kg
- Sturdy rotomolded construction – for strength and durability
- Enclosed ladder and molded handrail design for maximum safety
- Designed for quick and easy assembly with simple deck mounted installation
- Water delivery system can be plumbed through the pool's return line or connected to a garden hose
- Intended for in-ground residential swimming pools only



Model No.	Description	Shipping (Class 300)			
		Weight	Length	Width	Height
640-209-58124	Gray Granite*	390 lbs 177kg	66" 167cm	88" 223cm	48" 122cm
640-209-58123	Sandstone*				
640-209-58120	Solid Gray				
640-209-58110	Solid Taupe				

\* Gray Granite and Sandstone slides are not an exact match with Gray Granite or Sandstone diving boards & stands due to differences in material. Please consult your sales representative for more details.

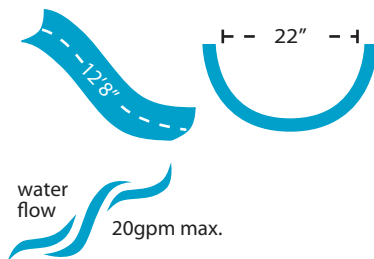
## Slide Color



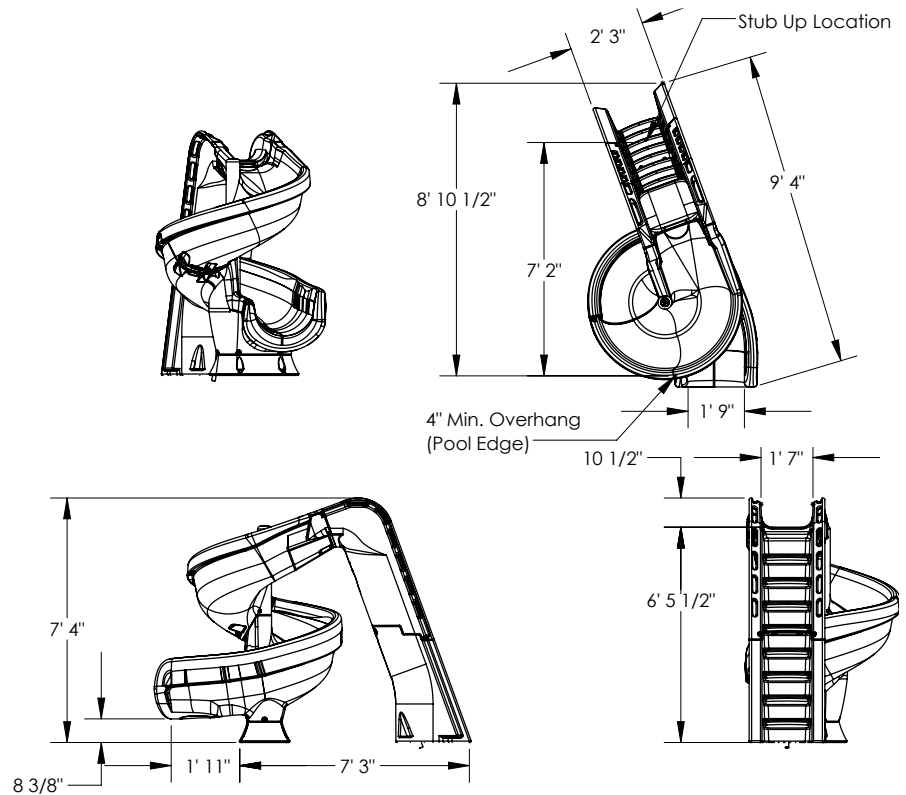
Due to printing technology, actual color may differ.

Adult supervision required at all times when children are using this slide.

## Flume Details



See page 129 for slide placement diagram



All S.R.Smith, LLC swimming pool slides fully comply with Consumer Products Safety Commission (CPSC) mandatory safety Standard for Swimming Pool Slides (16 CFR 1207) and are certified by independent third party testing labs. The installer or end-user is responsible for complying with local building codes for the location, installation, construction or assembly of these slides. S.R.Smith, LLC makes no representations that the location, installation, construction or assembly of its slides meet local building codes.